



US00D586238S

(12) **United States Design Patent**
Loth

(10) **Patent No.:** **US D586,238 S**
(45) **Date of Patent:** **** Feb. 10, 2009**

(54) **WRISTWATCH**

(75) Inventor: **Eric Loth**, La Chaux-de-Fonds (CH)

(73) Assignee: **The British Masters SA**, La Chaux-de-Fonds (CH)

(**) Term: **14 Years**

(21) Appl. No.: **29/322,085**

(22) Filed: **Jul. 29, 2008**

(30) **Foreign Application Priority Data**

Apr. 3, 2008 (CH) 135008

(51) **LOC (9) Cl.** **10-02**

(52) **U.S. Cl.** **D10/32**

(58) **Field of Classification Search** D10/30-39,
D10/122-132; 368/276, 281, 282, 285, 21,
368/28, 308, 288, 289, 290, 319, 223, 228,
368/232, 80; D11/3

See application file for complete search history.

(56) **References Cited**

U.S. PATENT DOCUMENTS

3,427,800 A * 2/1969 Blum 368/223
3,503,203 A * 3/1970 Gruner et al. 368/21
D438,474 S * 3/2001 Dumas D10/39
6,200,019 B1 * 3/2001 Latini 368/289
D447,705 S * 9/2001 Scheufele D10/39

D452,175 S * 12/2001 Finazzi D10/39
D473,473 S * 4/2003 Wunderman D10/32
D536,996 S * 2/2007 Loth D10/32
D540,195 S * 4/2007 Nussbaumer D10/31
D563,802 S * 3/2008 Loth D10/39
D574,263 S * 8/2008 Loth D10/38
D574,734 S * 8/2008 Loth D10/38

* cited by examiner

Primary Examiner—Lucy Lieberman

(74) *Attorney, Agent, or Firm*—Sughrue Mion, PLLC

(57) **CLAIM**

The ornamental design for a wristwatch, as shown and described.

DESCRIPTION

FIG. 1 is a front elevational view of a wristwatch showing my new design;

FIG. 2 is a perspective view of the front and right side thereof;

FIG. 3 is a perspective view of the rear and left side thereof;

FIG. 4 is a rear elevational view thereof;

FIG. 5 is a right side elevational view thereof;

FIG. 6 is a left side elevational view thereof;

FIG. 7 is a top plan view thereof; and,

FIG. 8 is a bottom plan view thereof.

1 Claim, 2 Drawing Sheets





FIG. 1

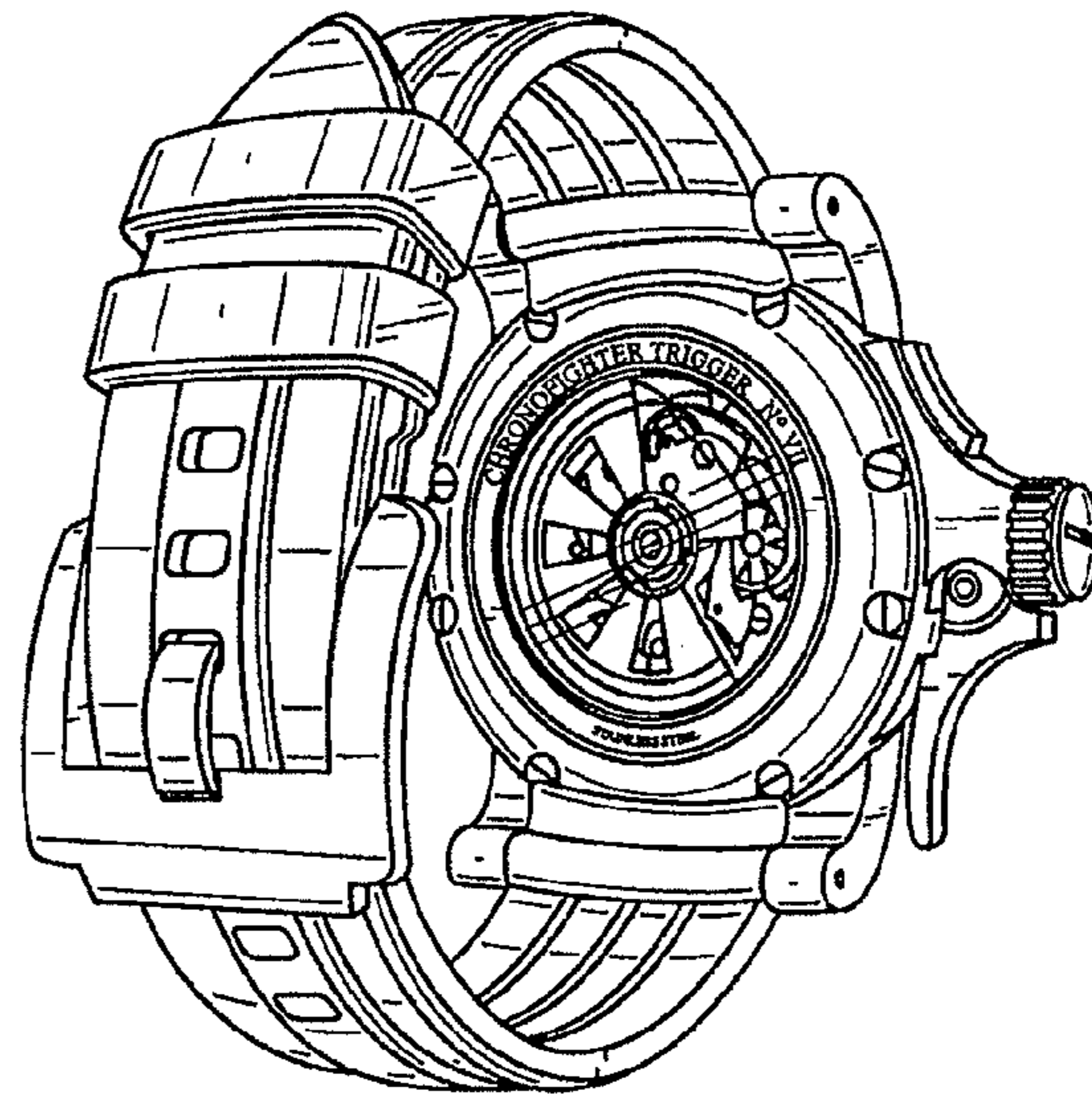


FIG. 3

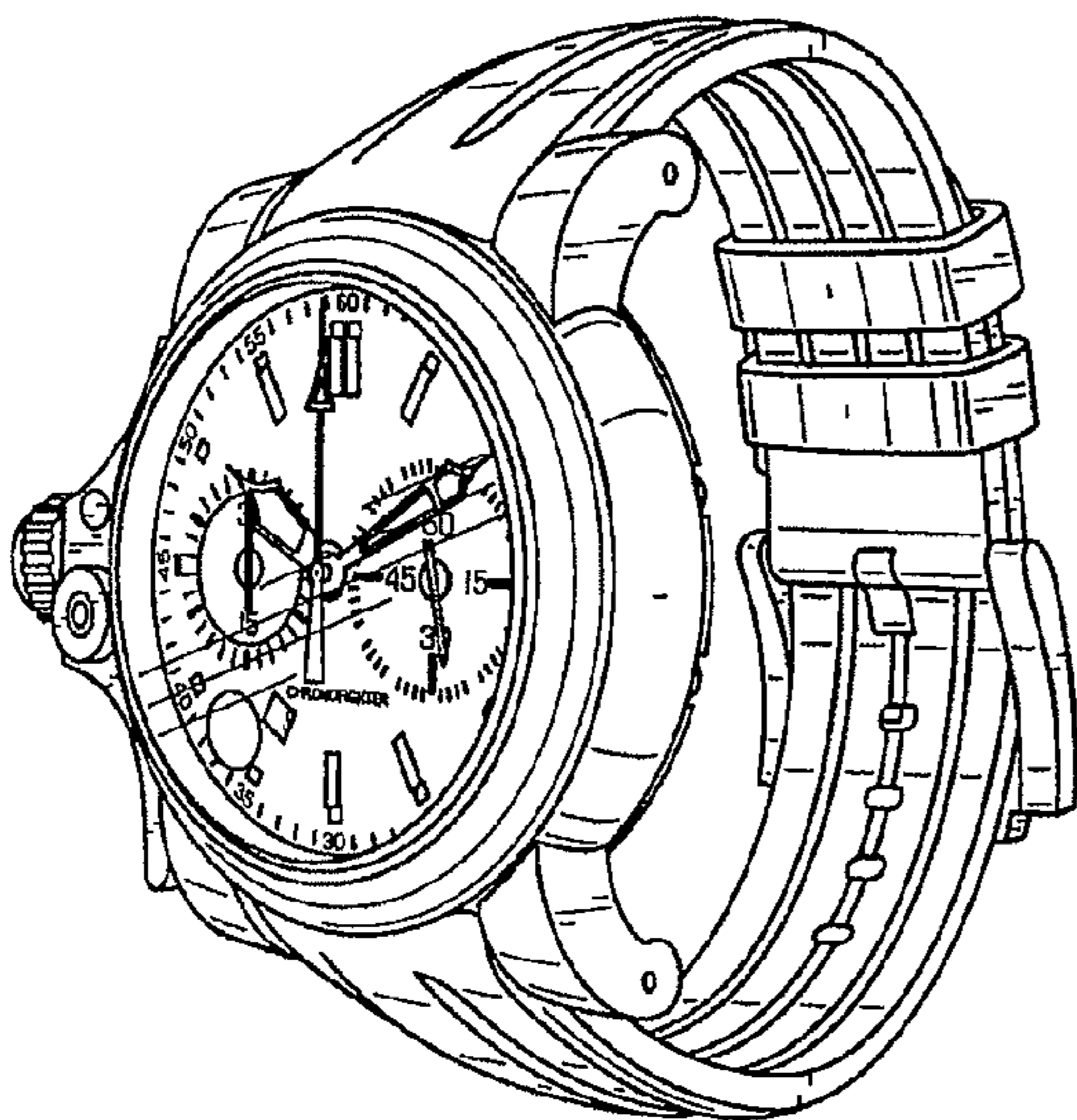


FIG. 2

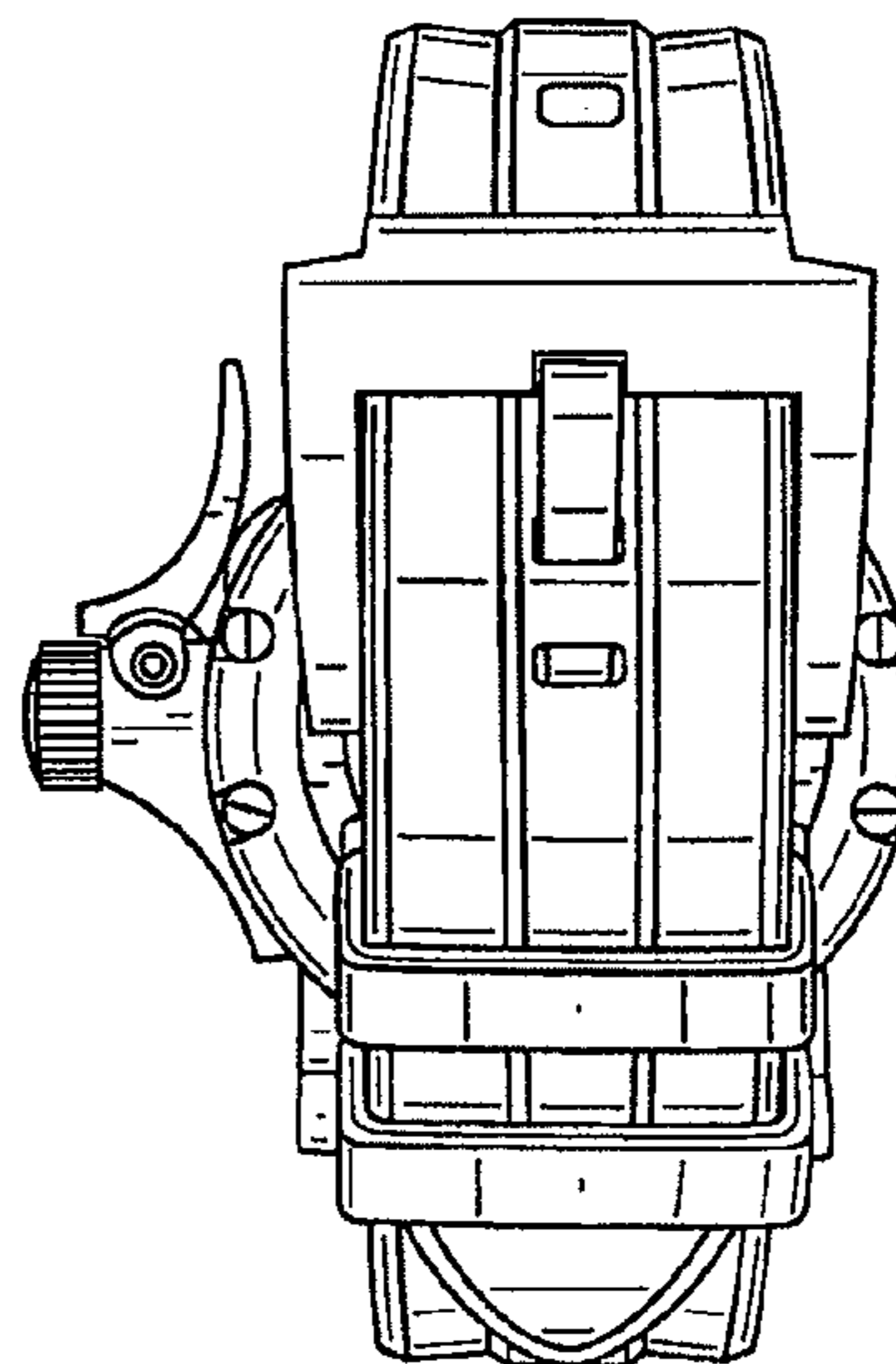


FIG. 4

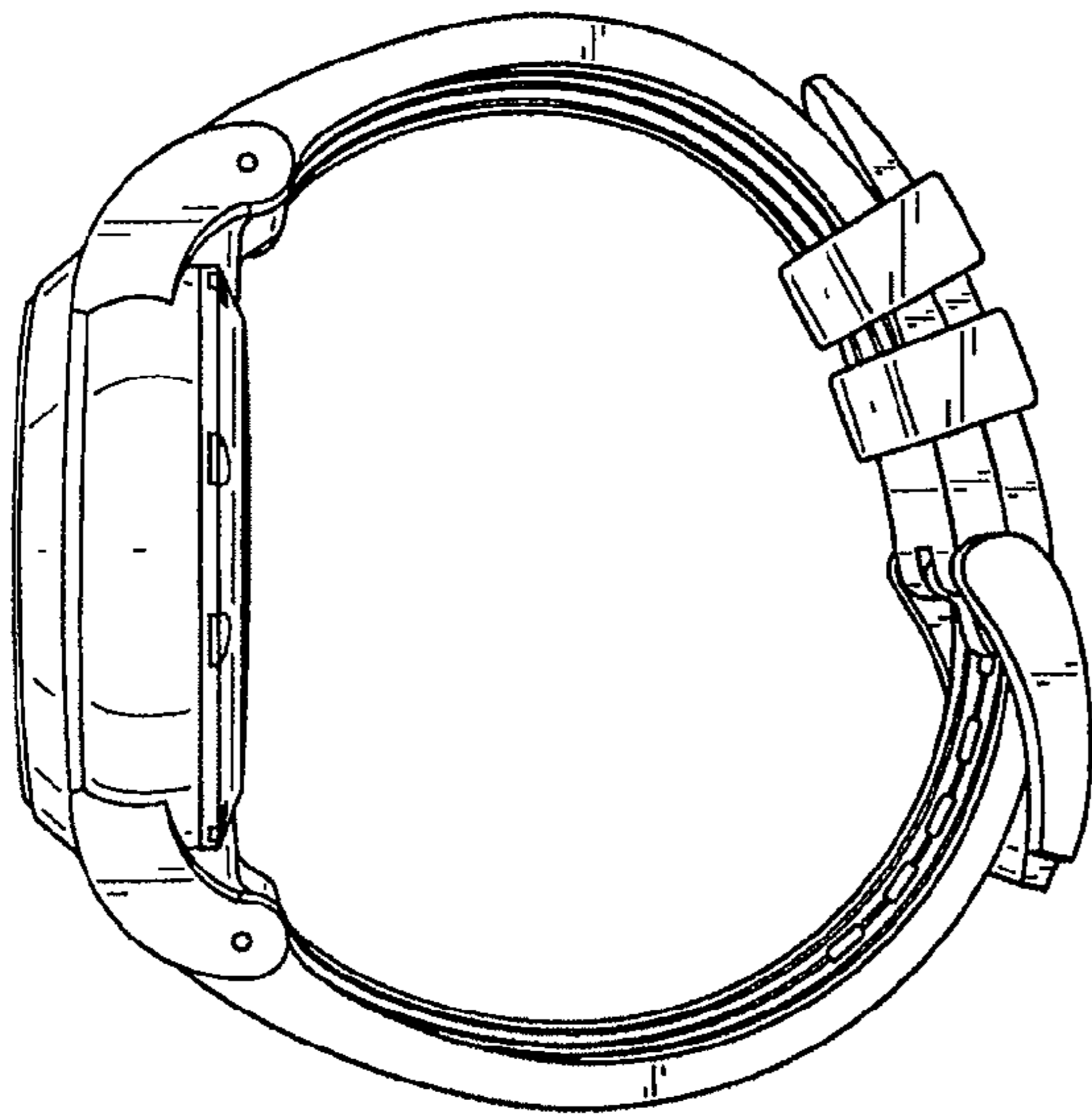


FIG. 5

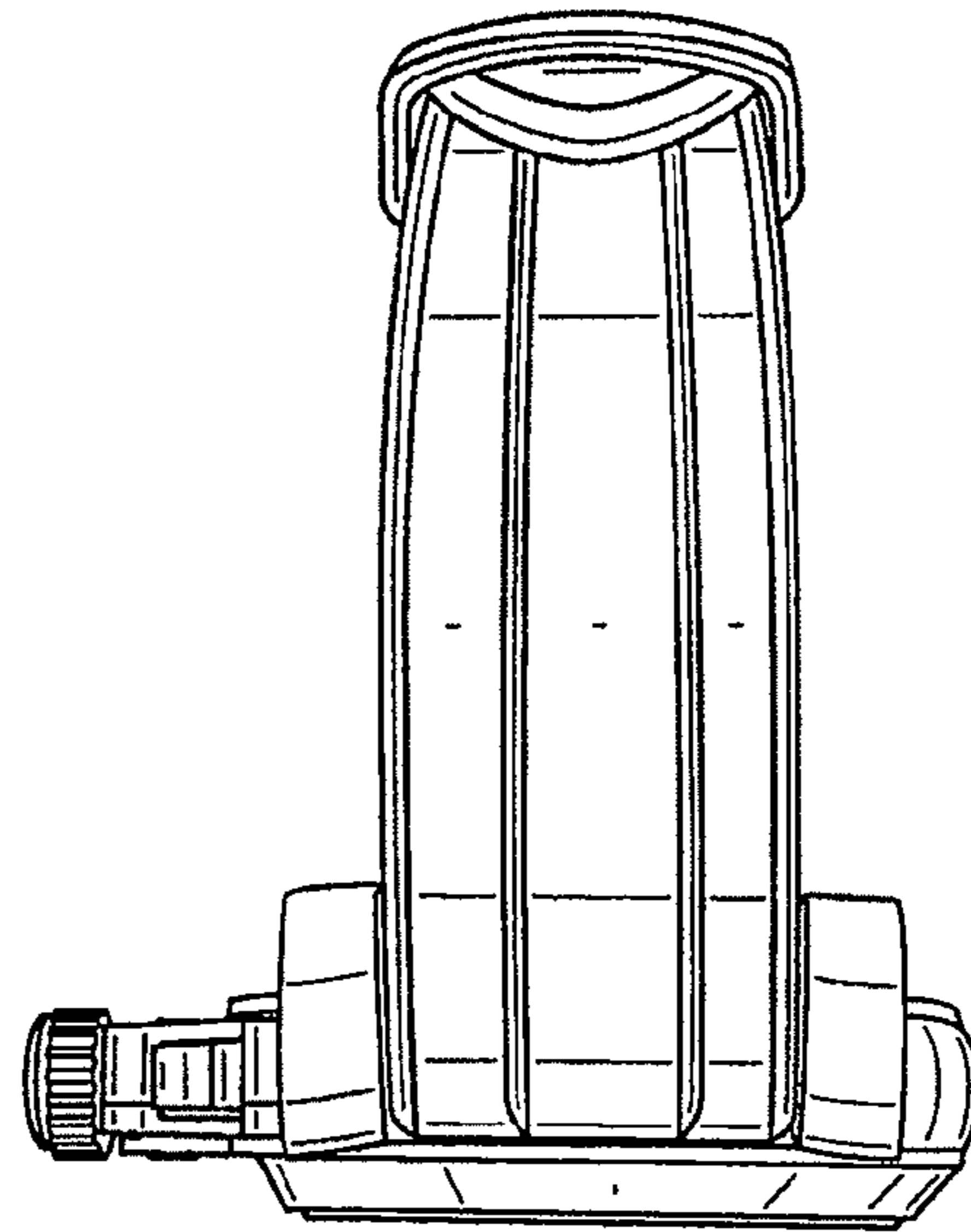


FIG. 7

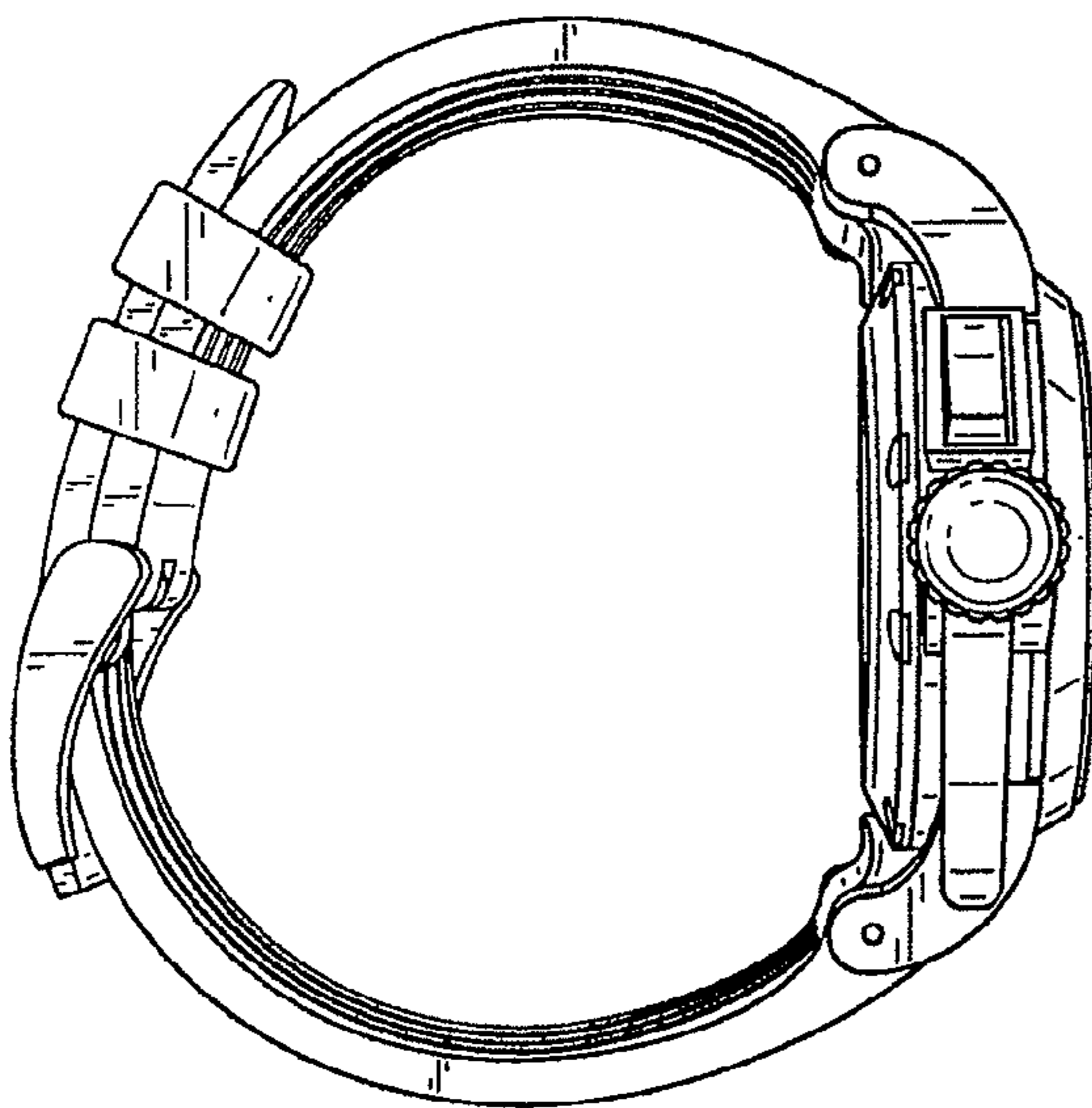


FIG. 6

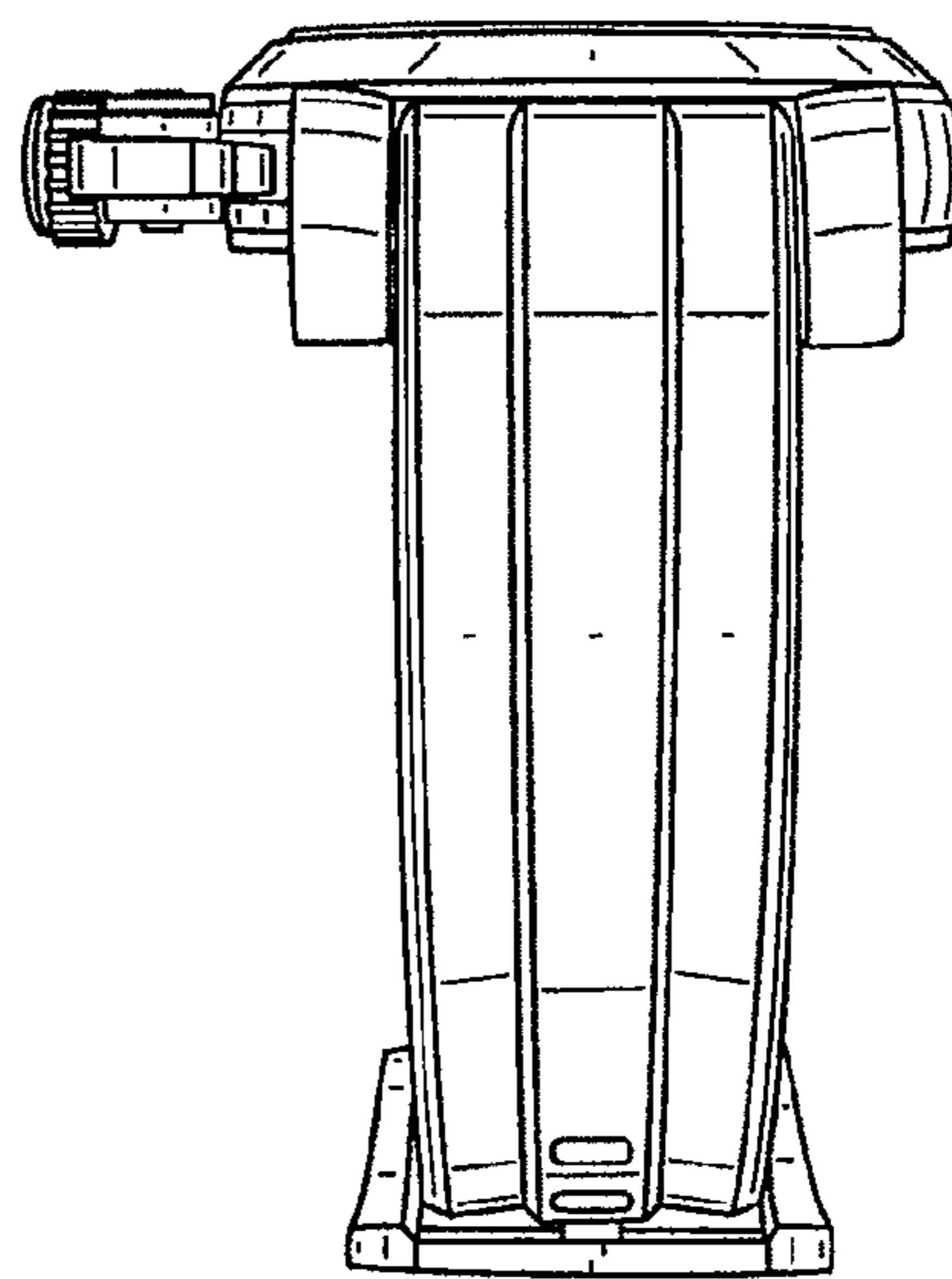


FIG. 8