



US00D586234S

(12) **United States Design Patent**
Lamoury

(10) **Patent No.:** **US D586,234 S**

(45) **Date of Patent:** **** Feb. 10, 2009**

(54) **DISPENSER FOR NOTE PADS**

D546,679 S * 7/2007 El-Afandi D9/434
D548,074 S * 8/2007 El-Afandi D9/434

(75) Inventor: **Julien Lamoury**, Cergy (FR)

* cited by examiner

(73) Assignee: **3M Innovative Properties Company**,
St. Paul, MN (US)

Primary Examiner—Stella M Reid

Assistant Examiner—Shanda C Hill

(**) Term: **14 Years**

(74) *Attorney, Agent, or Firm*—Robert H. Jordan

(21) Appl. No.: **29/242,204**

(57) **CLAIM**

(22) Filed: **Nov. 3, 2005**

The ornamental design for a dispenser for note pads, as shown and described.

(30) **Foreign Application Priority Data**

DESCRIPTION

May 19, 2005 (EM) 000346192-1/4

FIG. 1 is an isometric view of a first embodiment of a dispenser for note pads showing my new design;

(51) **LOC (9) Cl.** **09-03**

FIG. 2 is a front view thereof;

(52) **U.S. Cl.** **D9/733**

FIG. 3 is a side view thereof;

(58) **Field of Classification Search** D9/414-418,
D9/430, 432.434, 730, 733, 734; D6/512,
D6/515, 517; D19/65, 67; 221/155, 185,
221/302, 305; 229/221; 206/427

FIG. 4 is a back view thereof;

See application file for complete search history.

FIG. 5 is a bottom view thereof;

FIG. 6 is a top view thereof;

(56) **References Cited**

FIG. 7 is an isometric view of a second embodiment of the dispenser for note pads;

U.S. PATENT DOCUMENTS

FIG. 8 is a front view thereof;

- D321,134 S * 10/1991 Toinet D9/415
- D321,647 S * 11/1991 Oldorf D9/734
- D333,781 S * 3/1993 Kobel D9/734
- D400,095 S * 10/1998 Uebele D9/734
- D403,576 S * 1/1999 Weiss D9/734
- D528,434 S * 9/2006 Wolpow D9/733
- D533,464 S * 12/2006 Wolpow D9/733
- D534,797 S * 1/2007 El-Afandi D9/434
- D537,734 S * 3/2007 Wolpow D9/733
- D545,189 S * 6/2007 El-Afandi D9/434
- D546,177 S * 7/2007 El-Afandi D9/434

FIG. 9 is a side view thereof;

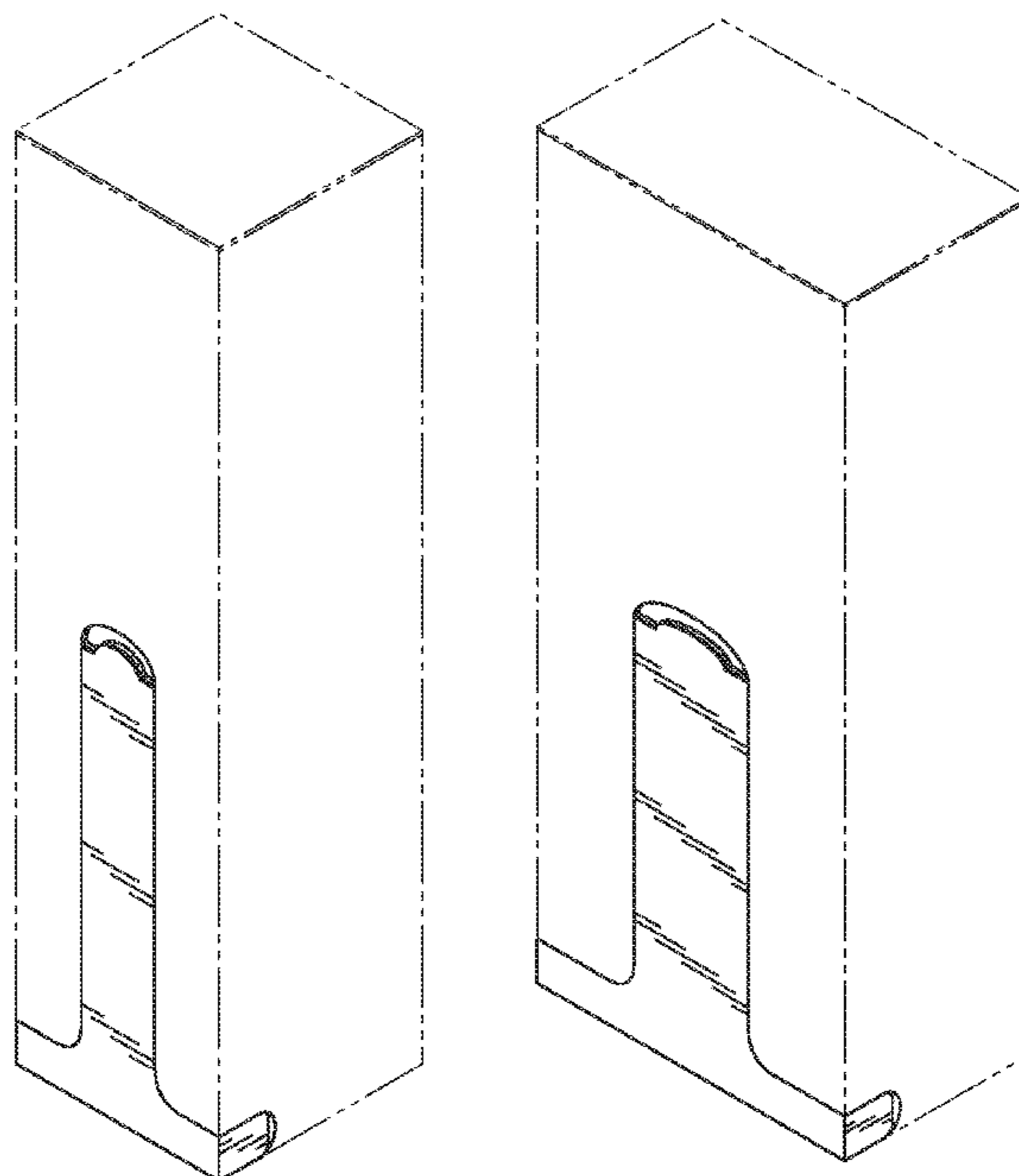
FIG. 10 is a back view thereof;

FIG. 11 is a top view thereof; and,

FIG. 12 is a bottom view thereof.

The broken lines in the drawings shown in the drawing disclosure are for illustrative purposes only and form no part of the claimed design.

1 Claim, 4 Drawing Sheets



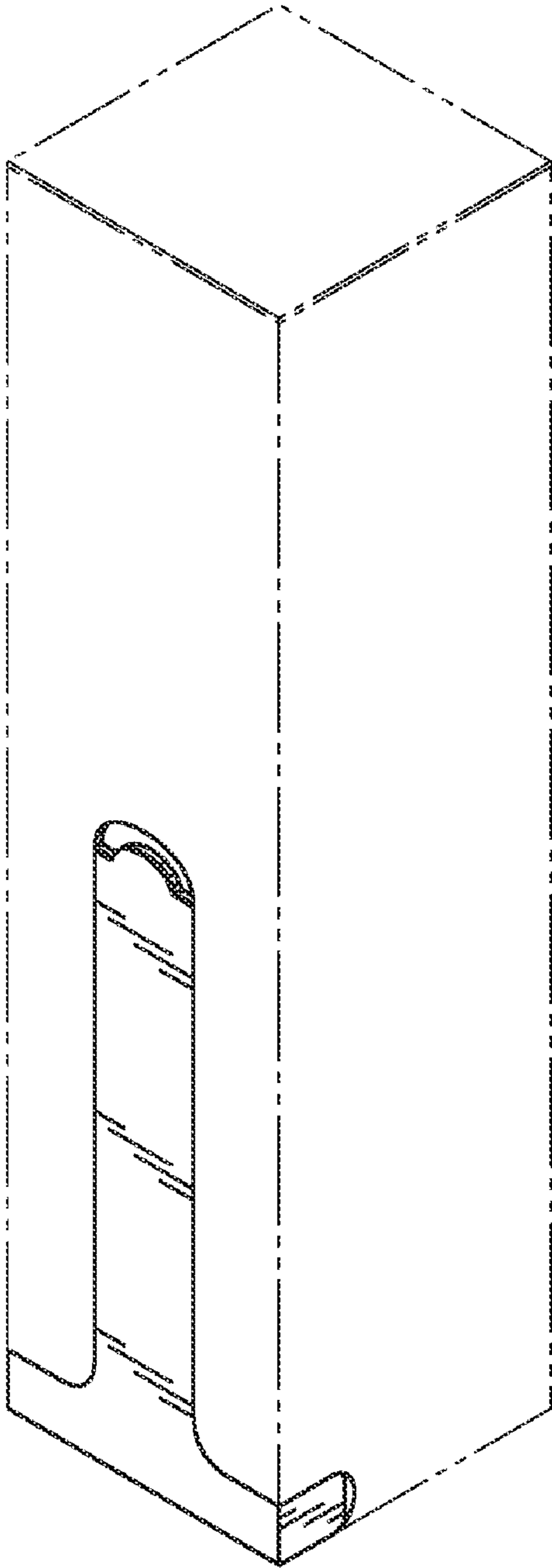


Fig. 1

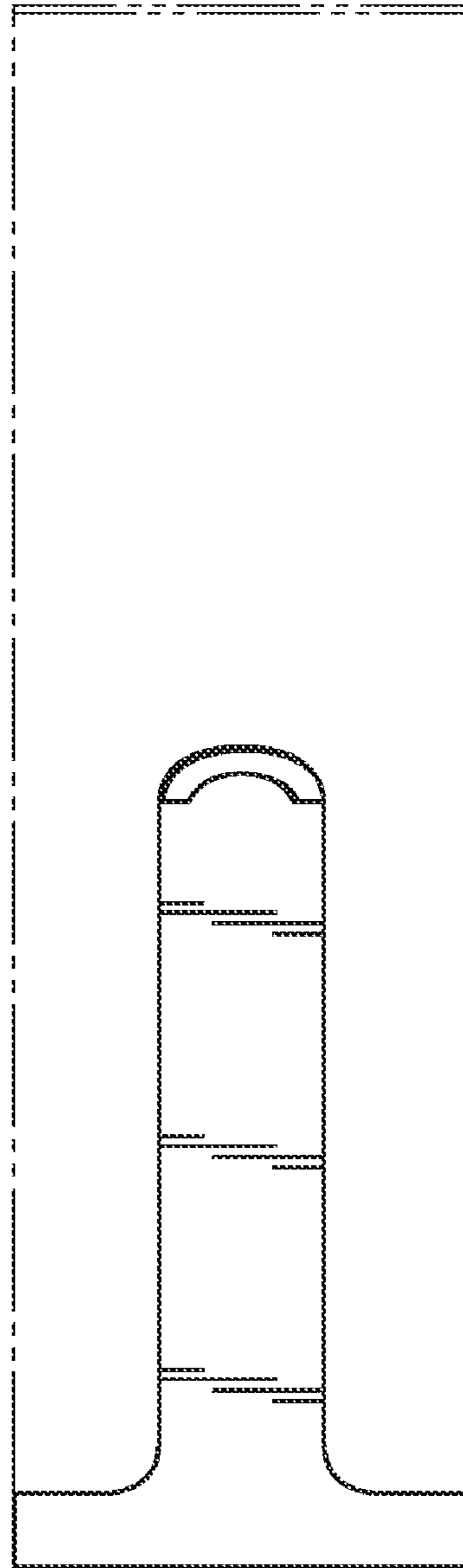


Fig. 2

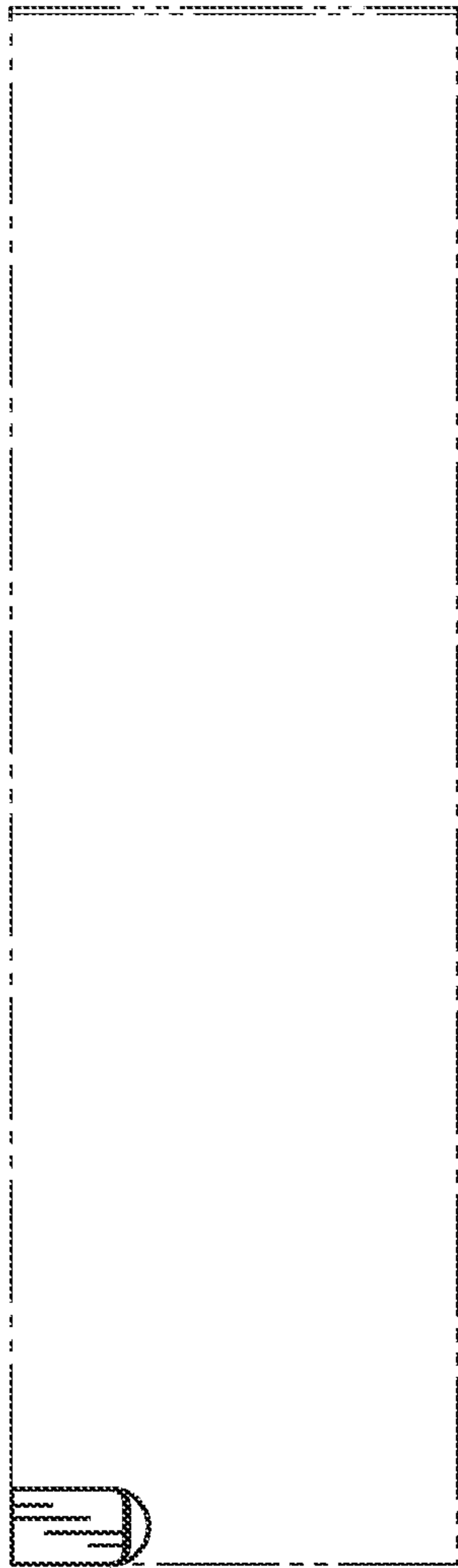


Fig. 3

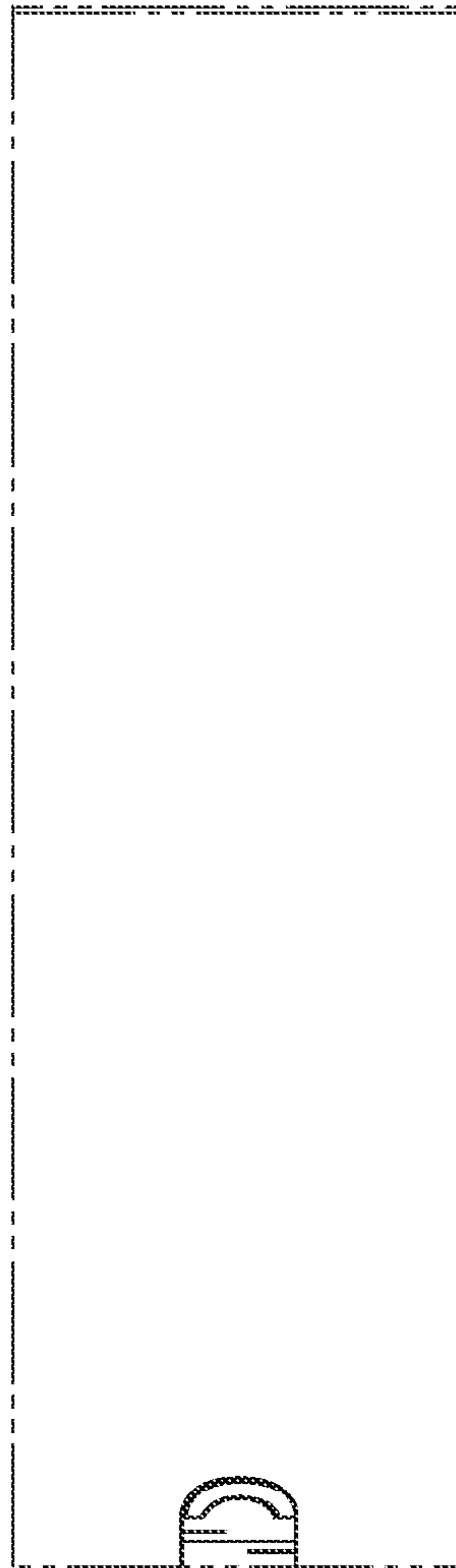


Fig. 4

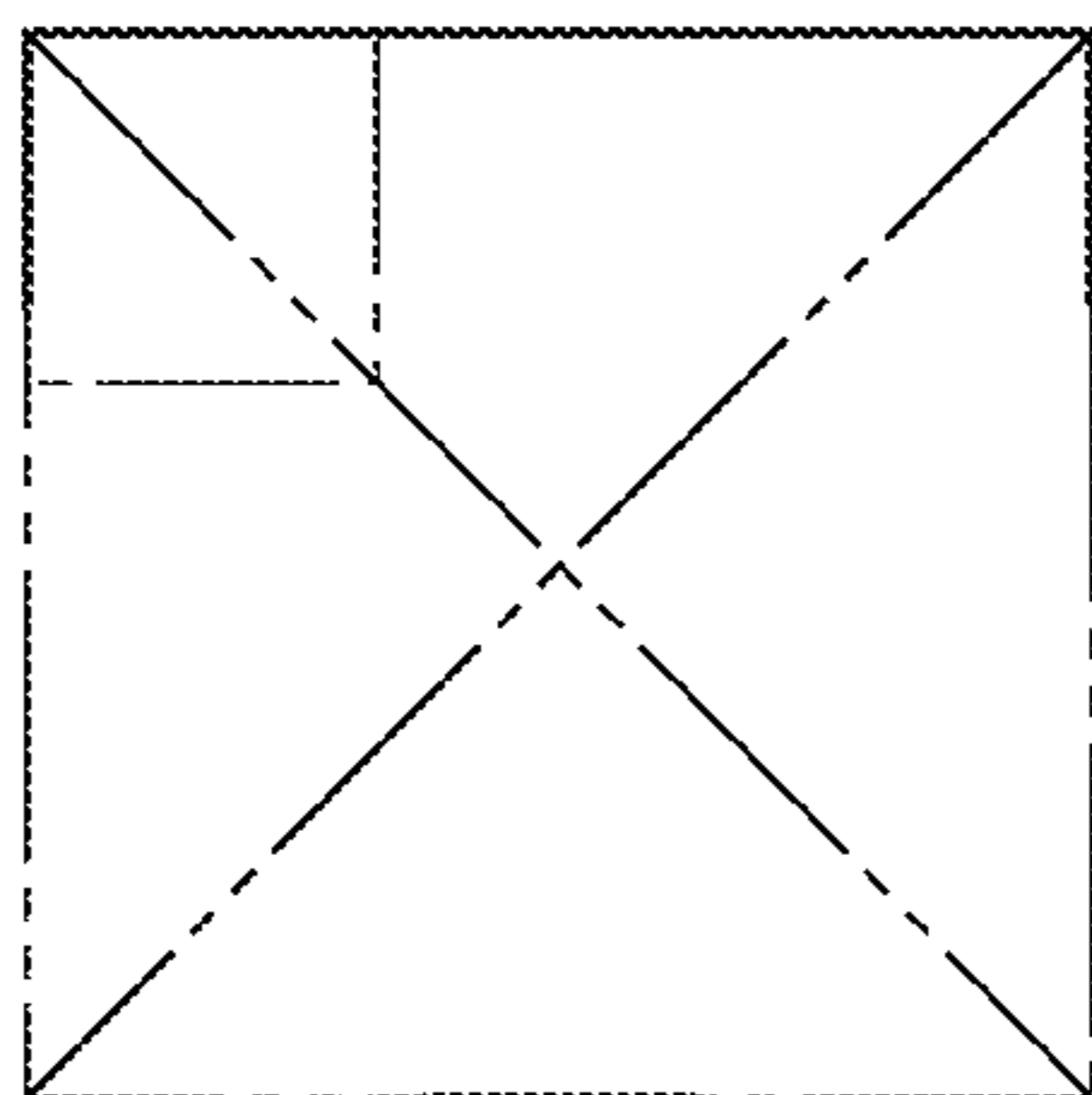


Fig. 5

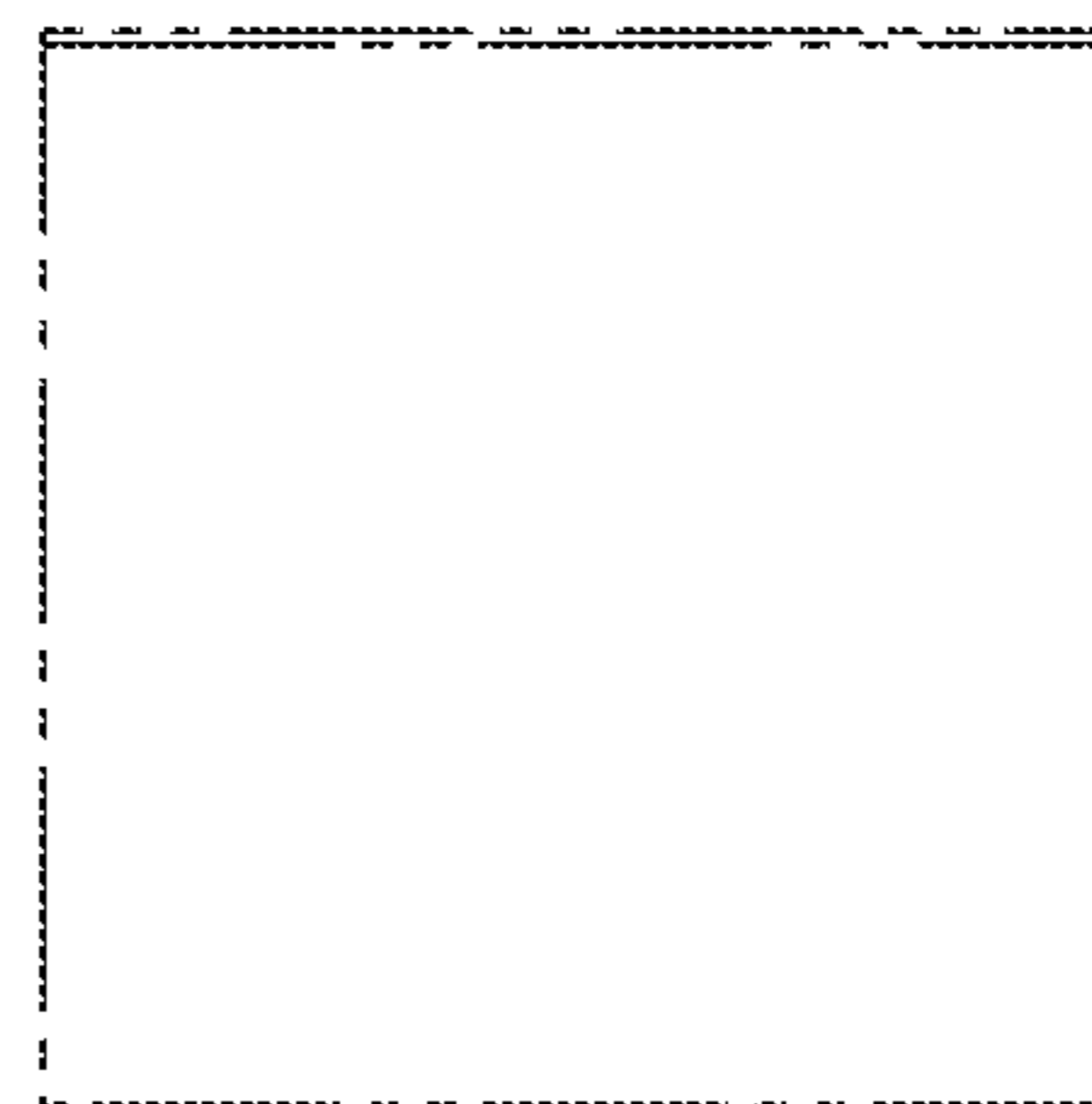


Fig. 6

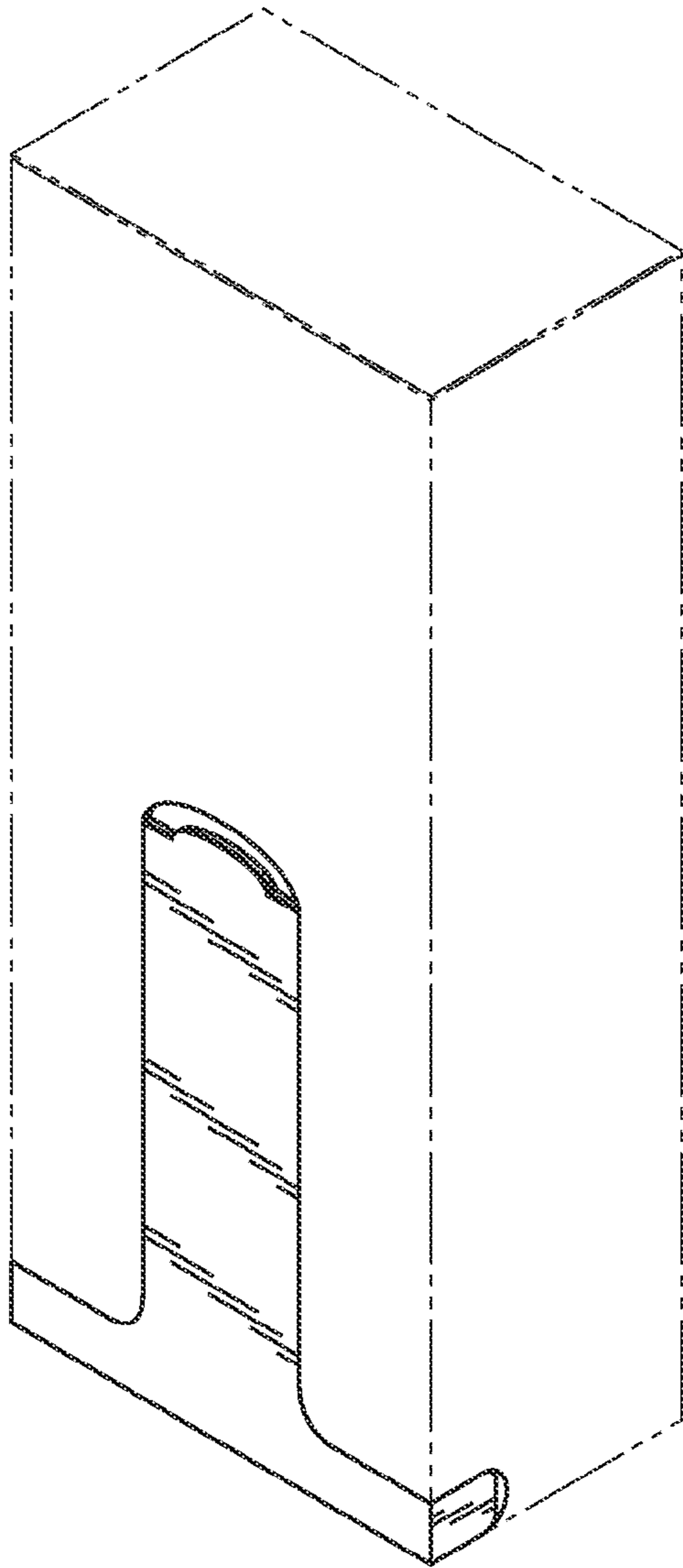


Fig. 7

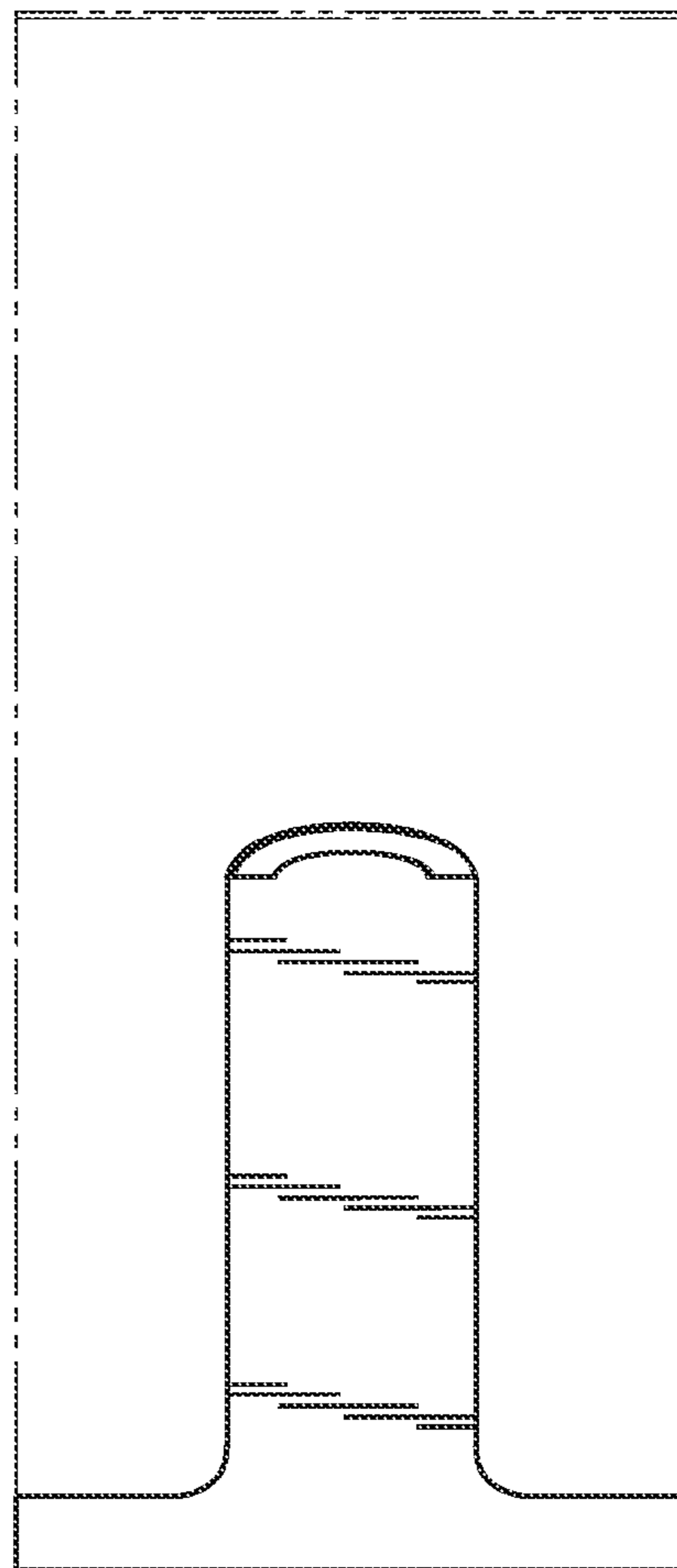


Fig. 8

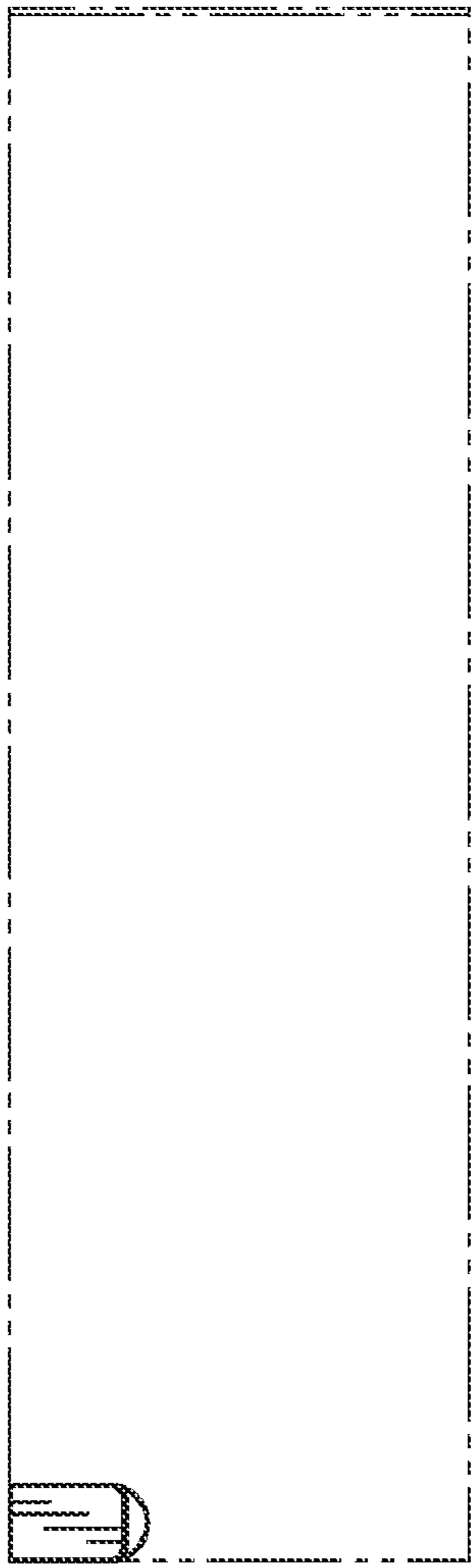


Fig. 9

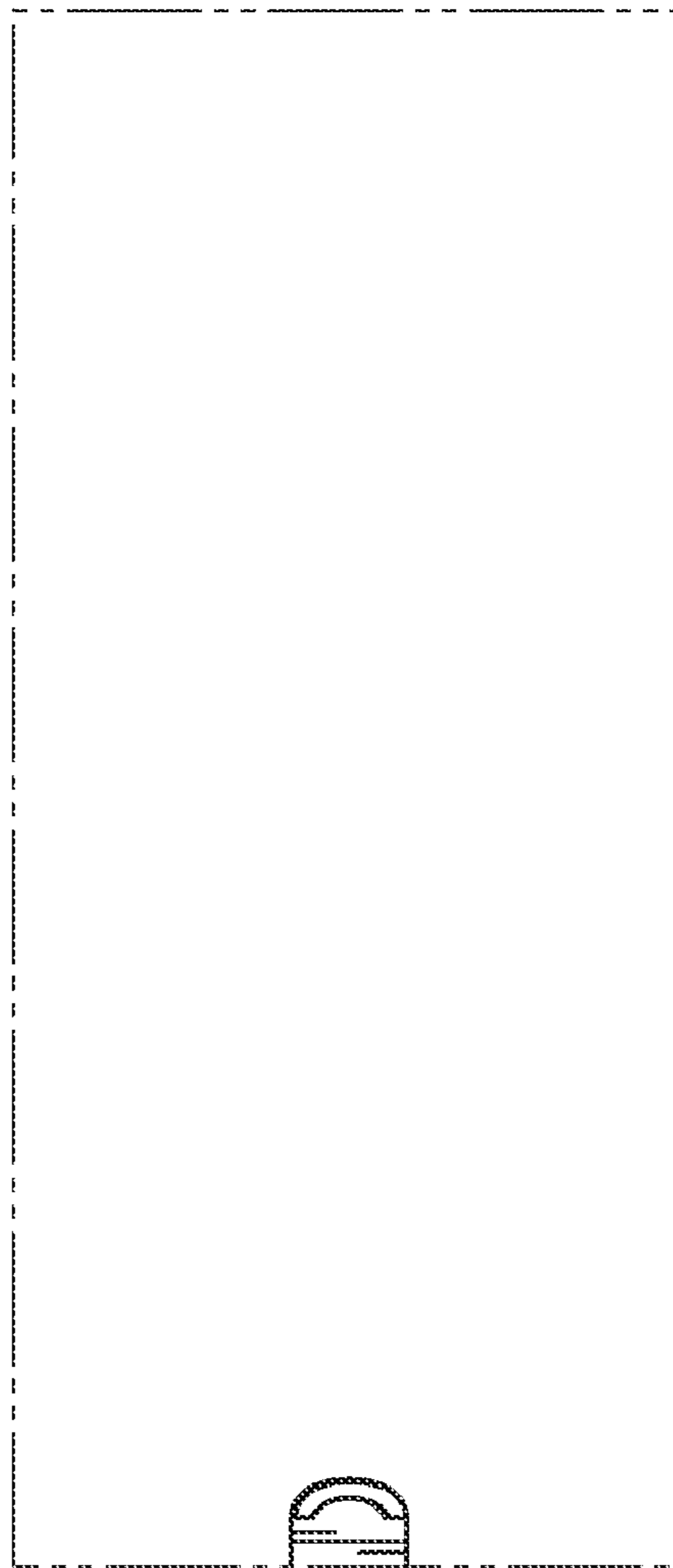


Fig. 10

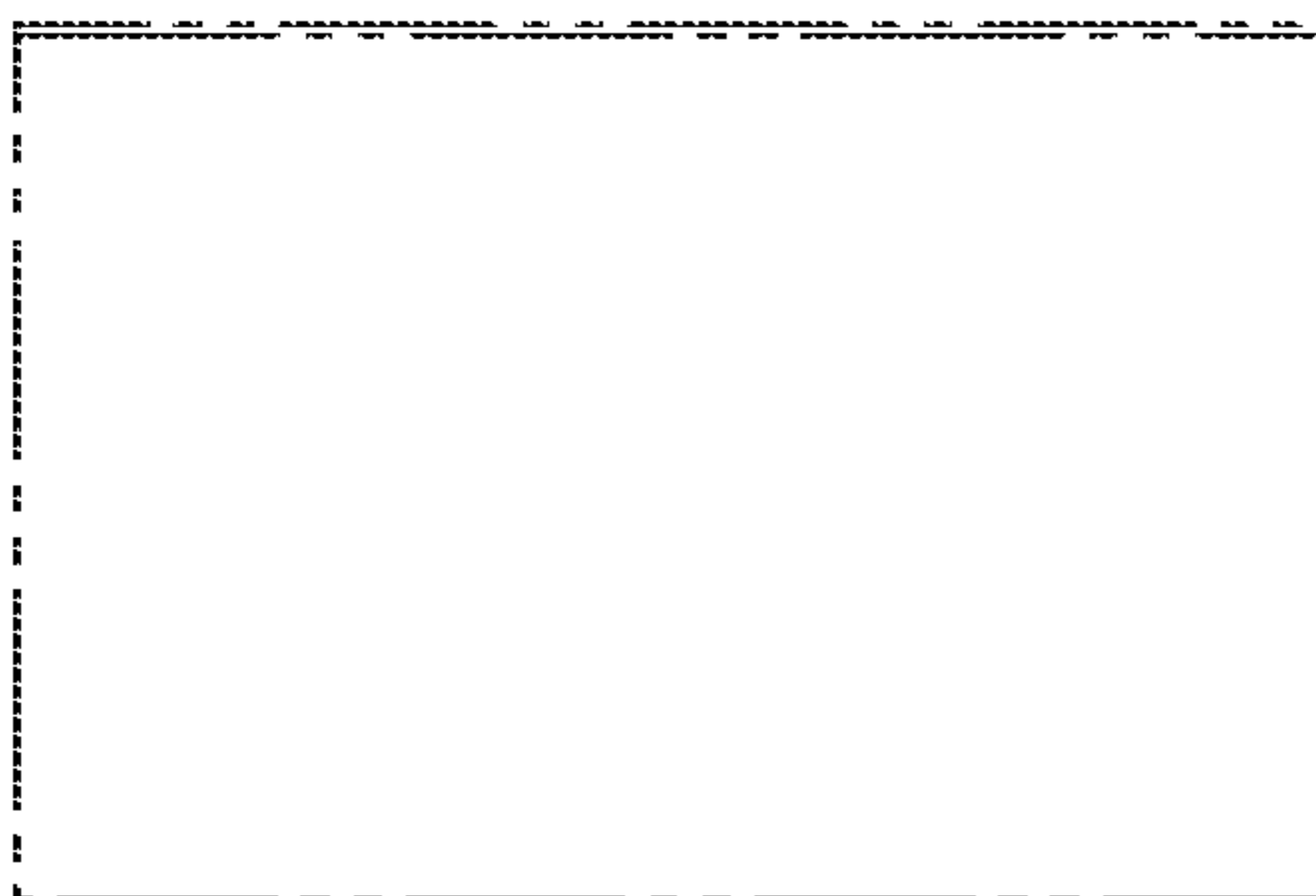


Fig. 11

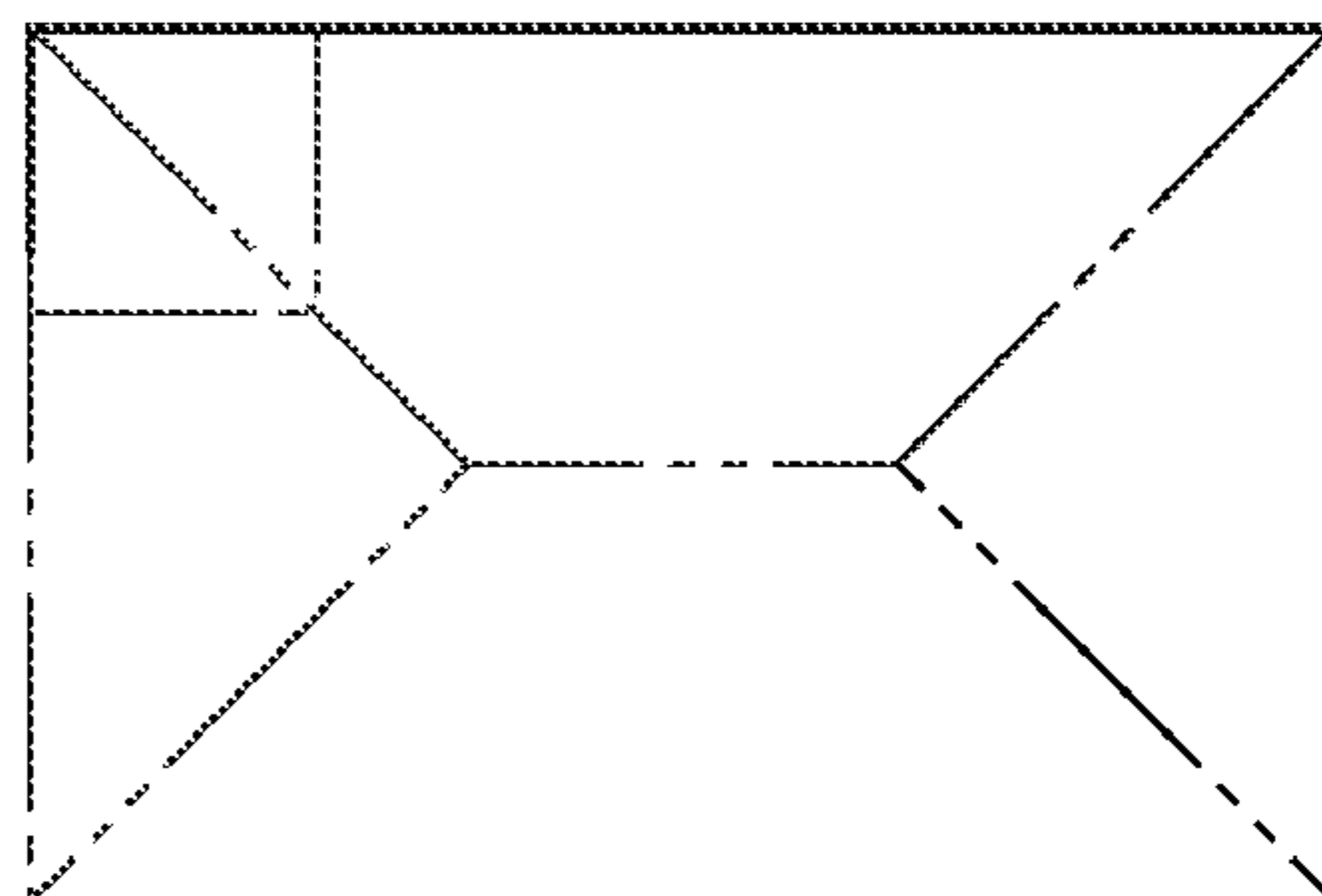


Fig. 12