



US00D586229S

(12) **United States Design Patent**  
**Palotto**

(10) **Patent No.:** **US D586,229 S**

(45) **Date of Patent:** **\*\* Feb. 10, 2009**

(54) **CONTAINER IN THE SHAPE OF A BANANA**

6,612,440 B1 9/2003 Agulnik  
D496,331 S \* 9/2004 Nan ..... D13/103

(75) Inventor: **Simone Palotto**, Brussels (BE)

FOREIGN PATENT DOCUMENTS

(73) Assignee: **Dart Industries Inc.**, Orlando, FL (US)

DE 40006824.9 11/2000

(\*\*) Term: **14 Years**

\* cited by examiner

(21) Appl. No.: **29/293,199**

*Primary Examiner*—Sandra Morris

(22) Filed: **Nov. 9, 2007**

(74) *Attorney, Agent, or Firm*—John A. Doninger

(51) **LOC (9) Cl.** ..... **09-01**

(52) **U.S. Cl.** ..... **D9/645; D7/539**

(58) **Field of Classification Search** ..... D3/270-271.1;  
D7/514-517, 539, 699, 613, 619.2, 628;  
D9/600, 644-648, 414, 420-423; 206/457,  
206/459.5, 521.1

See application file for complete search history.

(57) **CLAIM**

The ornamental design for a container in the shape of a banana, as shown and described.

**DESCRIPTION**

FIG. 1 is a top, side and front perspective view of a container in the shape of a banana showing my new design;

FIG. 2 is a front elevation view thereof;

FIG. 3 is a rear elevation view thereof;

FIG. 4 is a right side elevation view thereof;

FIG. 5 is a left side elevation view thereof;

FIG. 6 is a top plan view thereof; and,

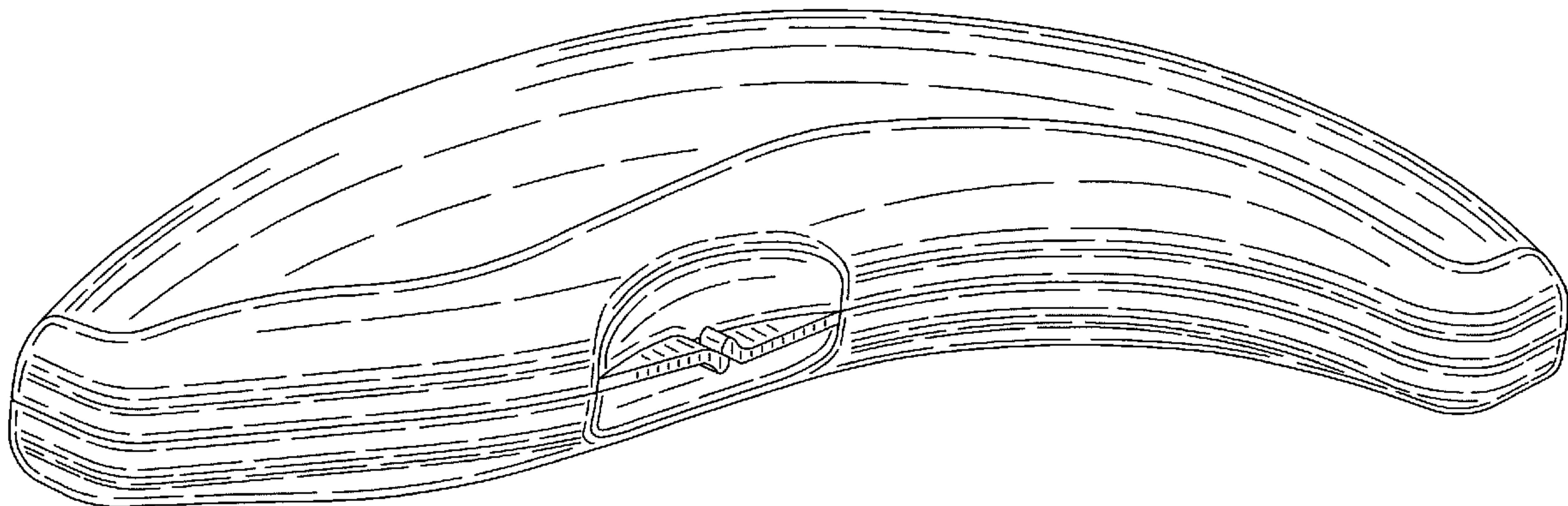
FIG. 7 is a bottom plan view thereof.

(56) **References Cited**

U.S. PATENT DOCUMENTS

D79,074 S 7/1929 Groth  
D292,556 S 11/1987 Daugherty  
D367,153 S 2/1996 Sturm  
D472,344 S \* 3/2003 Angeletta ..... D9/645  
D478,785 S 8/2003 Rorke et al.  
D479,953 S \* 9/2003 Stremple et al. .... D7/628

**1 Claim, 5 Drawing Sheets**



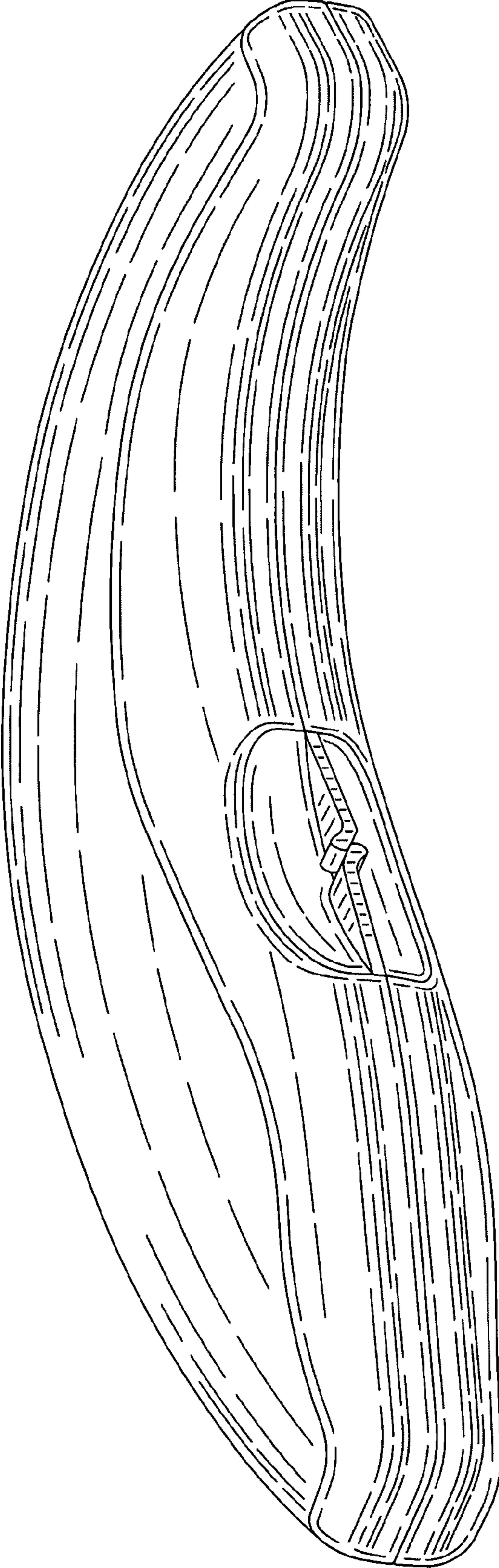


FIG. 1

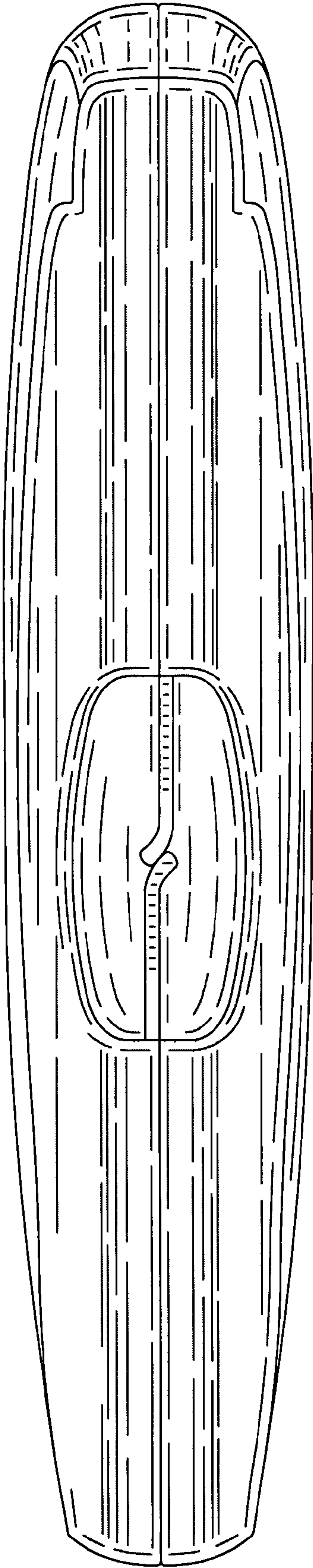


FIG. 2

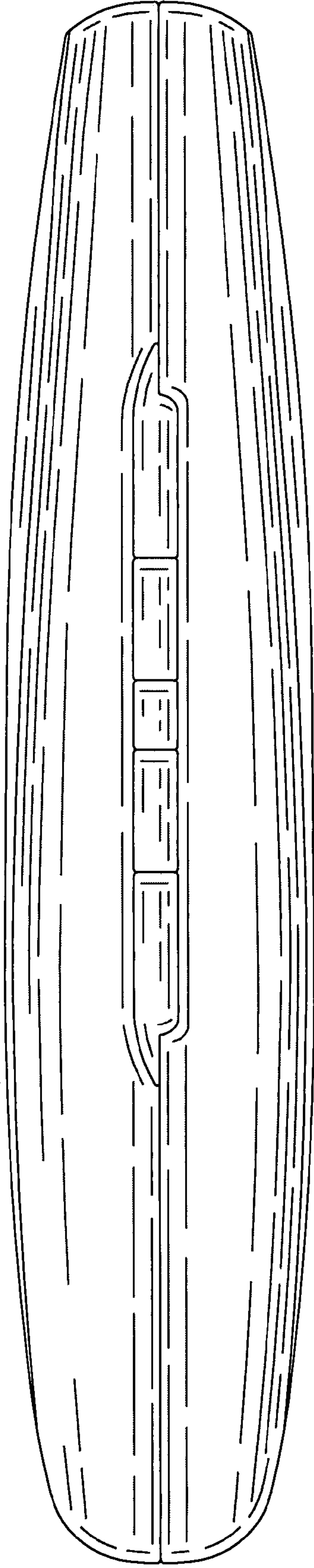


FIG. 3

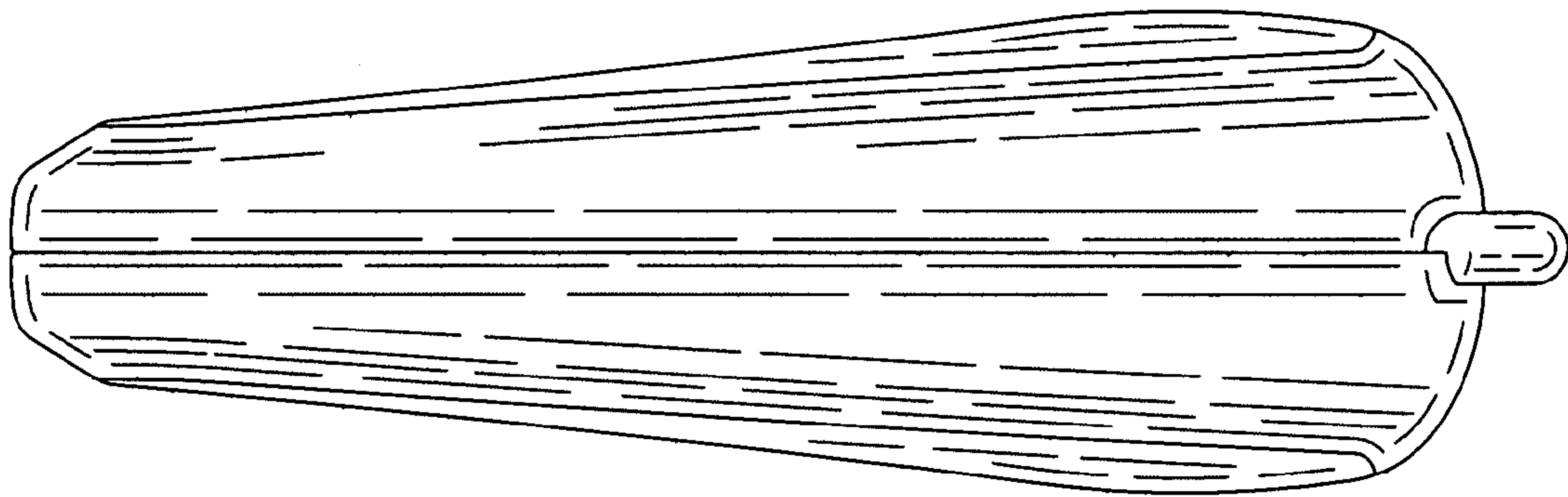


FIG. 4

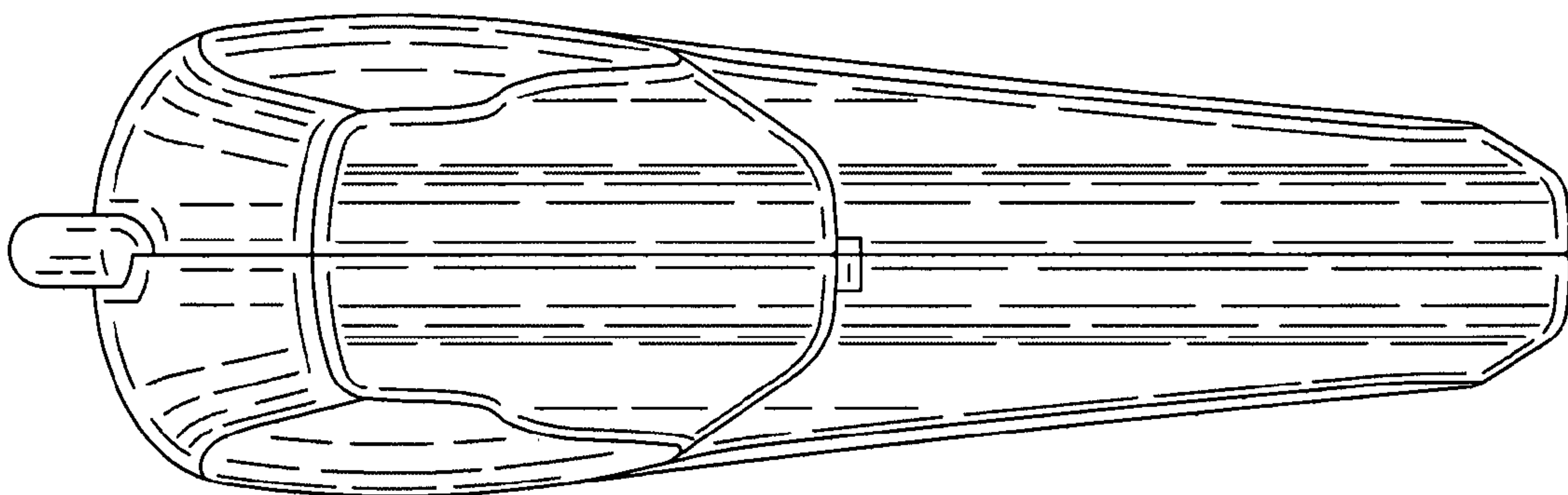


FIG. 5



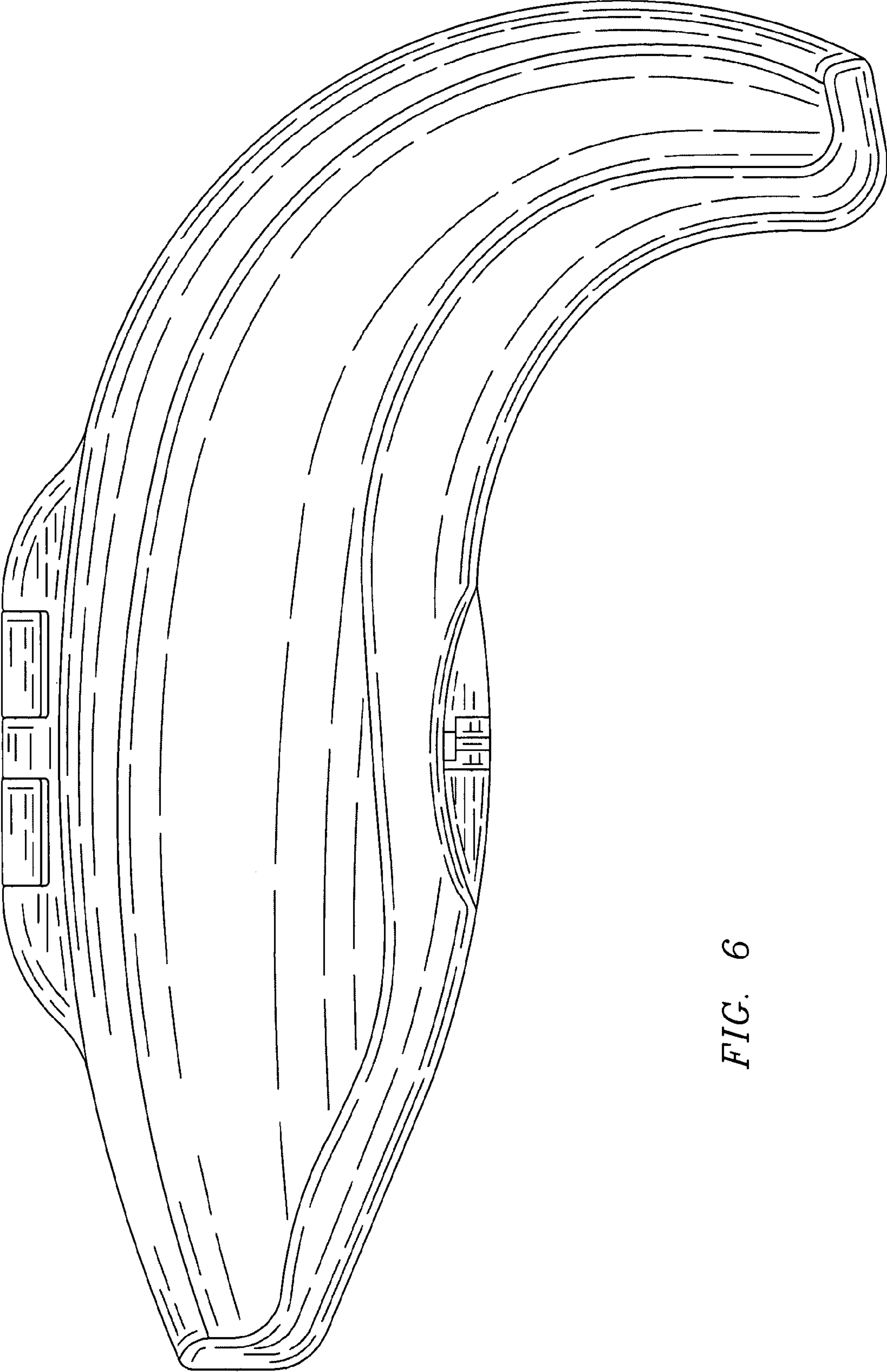


FIG. 6

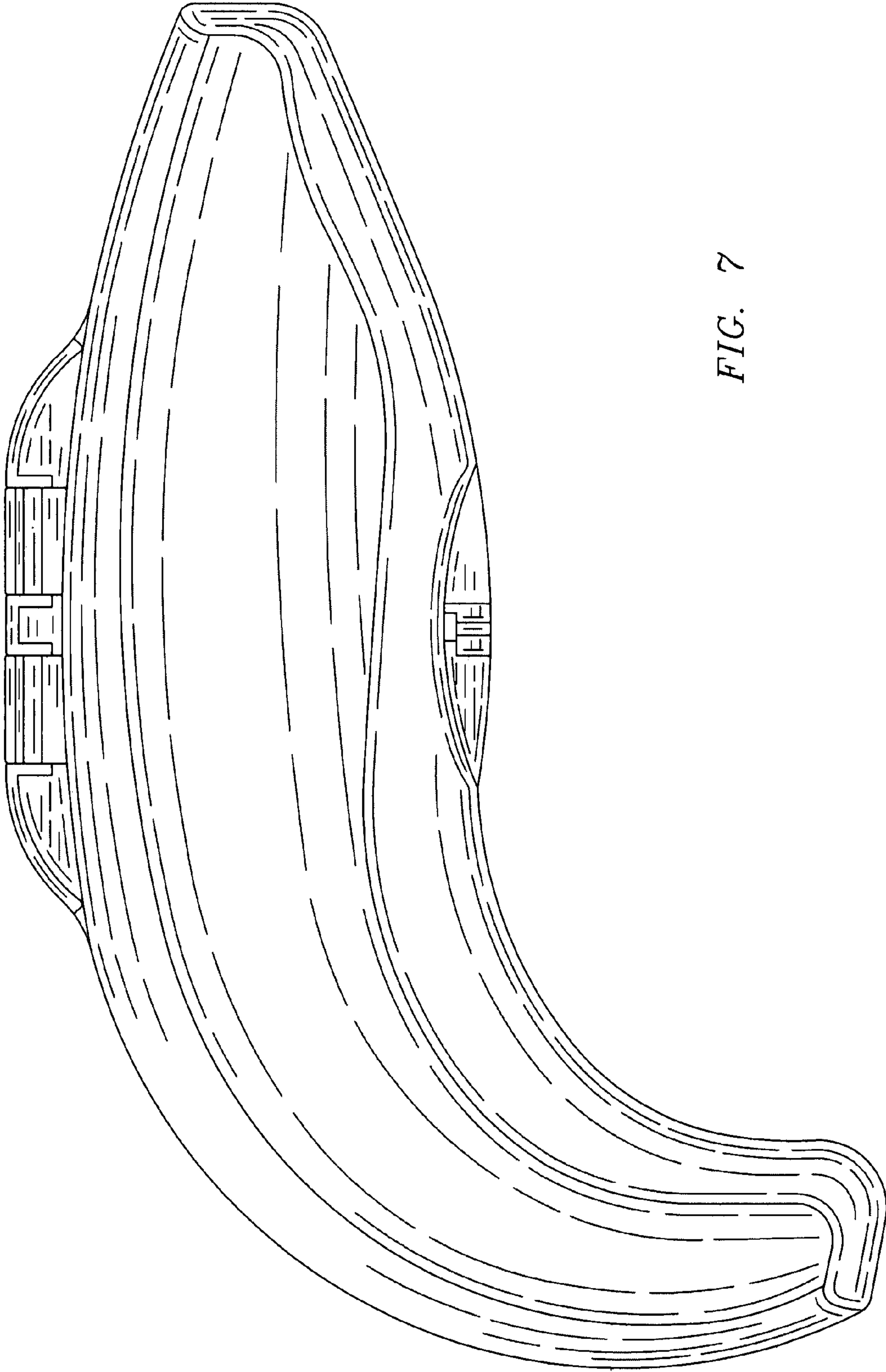


FIG. 7