



US00D586225S

(12) **United States Design Patent**
Devereaux

(10) **Patent No.:** **US D586,225 S**
(45) **Date of Patent:** **** Feb. 10, 2009**

(54) **INTERLOCKABLE BOTTLE**

(76) Inventor: **Timothy Devereaux**, 523 E. 78th St.,
Suite 1-I, New York, NY (US) 10021

(**) Term: **14 Years**

(21) Appl. No.: **29/289,958**

(22) Filed: **Aug. 8, 2007**

(51) **LOC (9) Cl.** **09-01**

(52) **U.S. Cl.** **D9/541; D9/561; D9/569;**
D9/575; D9/743

(58) **Field of Classification Search** **D9/738-747,**
D9/516, 530, 541, 543, 559, 561, 569, 454;
215/281-384, 10; 220/23.4

See application file for complete search history.

(56) **References Cited**

U.S. PATENT DOCUMENTS

D44,188 S *	6/1913	Steel	D9/545
D49,924 S *	11/1916	Graham	D9/541
D107,689 S *	12/1937	Lloyd	D9/554
3,194,426 A	7/1965	Brown, Jr.		
D206,026 S *	10/1966	Miller	D9/556
D214,147 S *	5/1969	Ritsi	215/382 X
3,944,074 A	3/1976	Riley		
D249,230 S *	9/1978	Van Der Veken	D9/715
4,165,812 A	8/1979	Jennison		
4,258,847 A *	3/1981	Nierman	220/23.4 X
D260,609 S *	9/1981	Courreges	D9/554
D260,858 S *	9/1981	Courreges	D9/545
4,381,841 A	5/1983	Schwarz		
4,416,373 A	11/1983	deLarosiere		
4,570,799 A	2/1986	Mednis		
4,573,595 A	3/1986	Mednis		
4,624,383 A *	11/1986	Moore	220/23.4
4,685,565 A	8/1987	Sparling		
D293,835 S *	1/1988	White et al.	D9/561 X
D300,303 S	3/1989	Sparling		
4,966,298 A	10/1990	Von Holdt		
5,007,540 A	4/1991	Beasley et al.		

D320,455 S *	10/1991	Malcolm	D9/541 X
5,295,609 A *	3/1994	Robbins, III	215/384 X
5,310,071 A	5/1994	Rivlin et al.		
5,316,159 A	5/1994	Douglas et al.		
5,402,903 A	4/1995	Mann		
5,638,974 A *	6/1997	Mann	220/23.4
D387,278 S *	12/1997	Olivares et al.	D9/541
D404,302 S	1/1999	Martin		
D407,020 S	3/1999	Doty		
D439,156 S	3/2001	Hall et al.		
6,276,549 B1	8/2001	Fasci et al.		
D447,944 S	9/2001	Justice		
D453,113 S *	1/2002	Feen et al.	D9/561
D489,271 S *	5/2004	Soomar	D9/561
7,175,498 B2	2/2007	Garpow et al.		
D541,165 S *	4/2007	Rashid et al.	D9/529
D541,175 S *	4/2007	Burns et al.	D9/743
D558,057 S *	12/2007	De Baschmakoff	D9/561
2006/0261063 A1 *	11/2006	Dyehouse	220/23.4

* cited by examiner

Primary Examiner—Carol Rademaker

(74) *Attorney, Agent, or Firm*—Amster, Rothstein & Ebenstein LLP

(57) **CLAIM**

The ornamental design for an interlockable bottle, as shown and described.

DESCRIPTION

FIG. 1 is a front elevational view of a bottle according to the present invention;

FIG. 2 is a rear elevational view thereof;

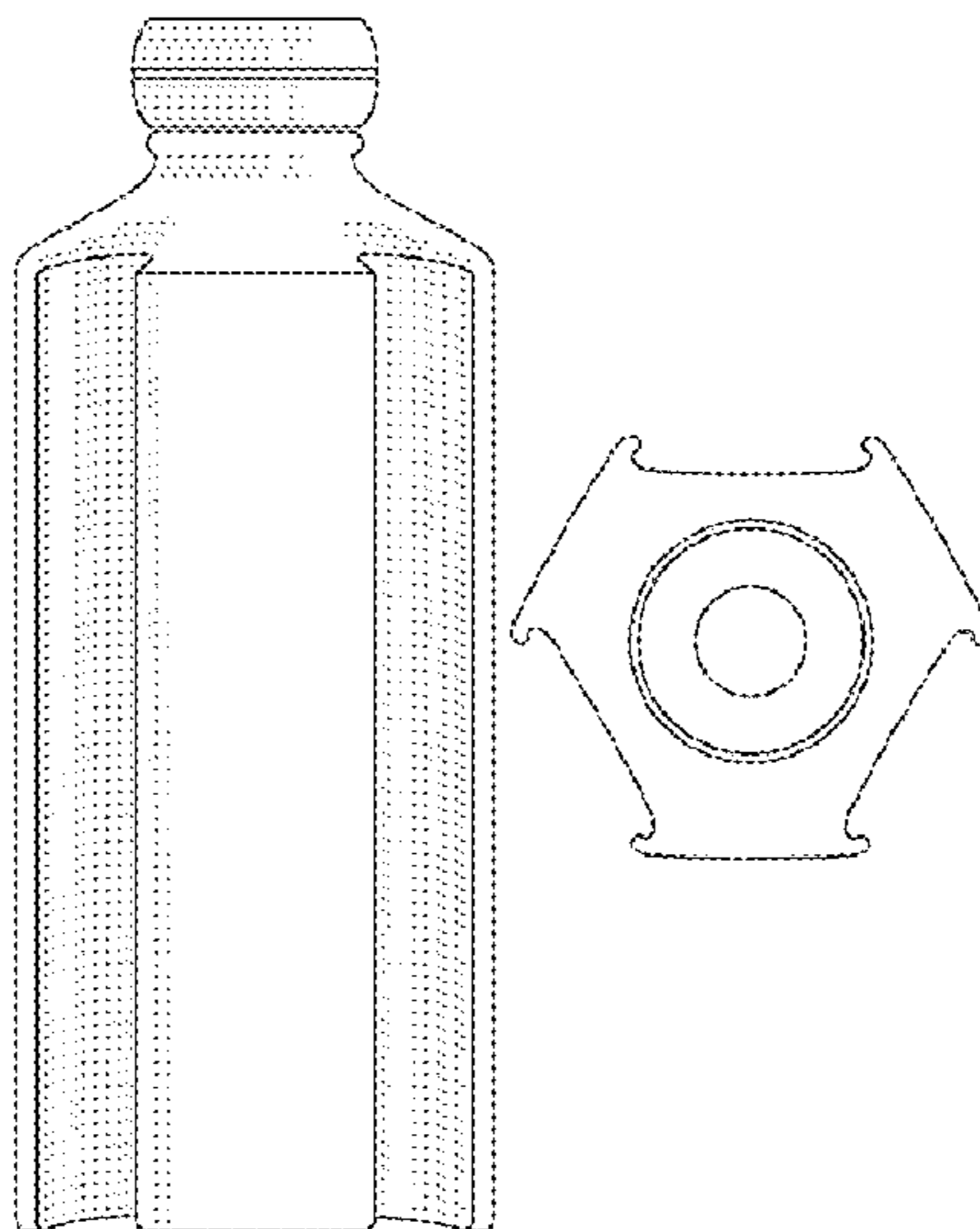
FIG. 3 is a top plan view thereof;

FIG. 4 is a bottom plan view thereof; and,

FIG. 5 is a top, front, and right side perspective view thereof.

The broken lines shown on the bottom surface in the FIG. 4 drawing view are included for the purpose of showing environmental structure that forms no part of the claimed design.

1 Claim, 2 Drawing Sheets



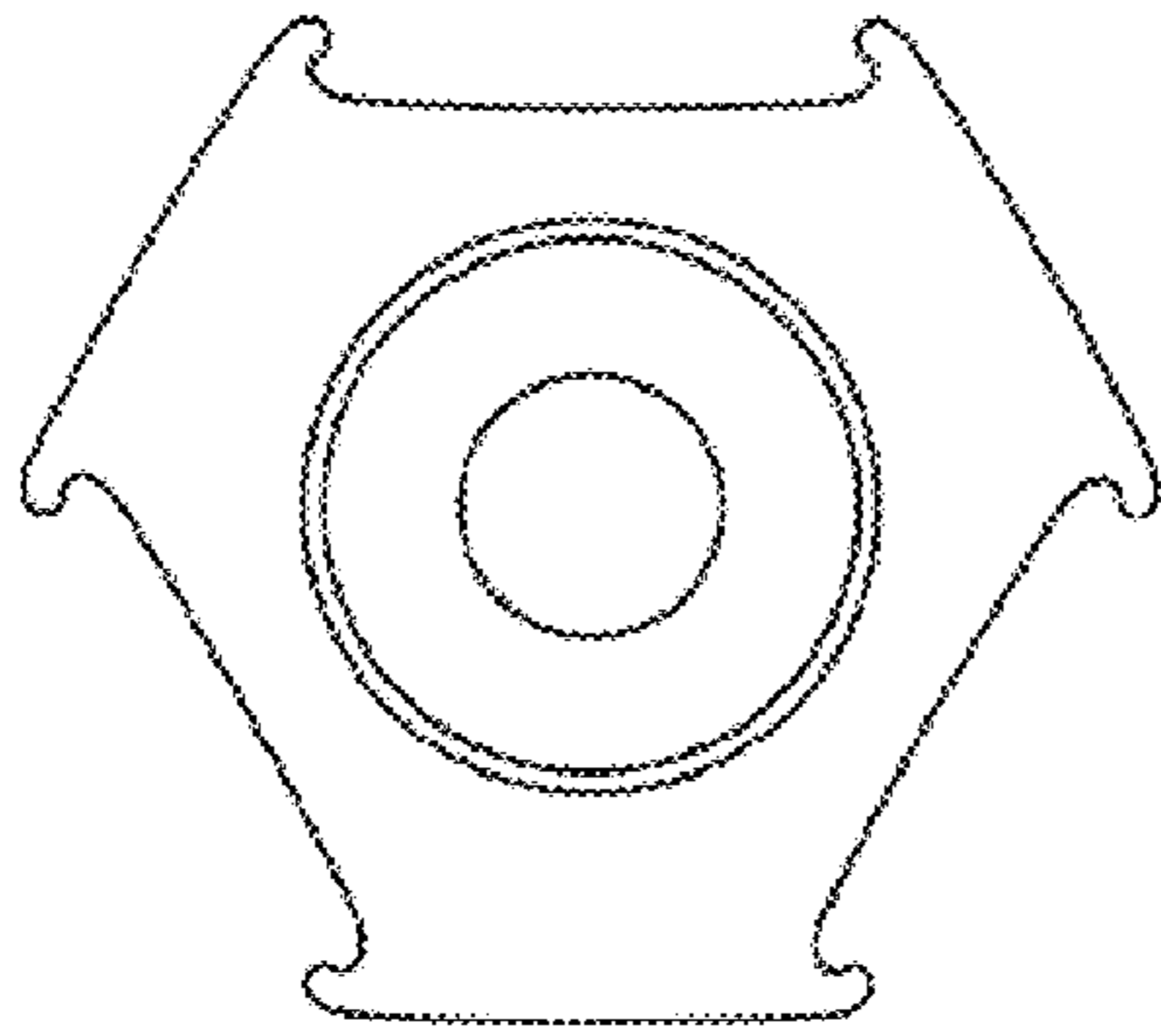


Fig. 3

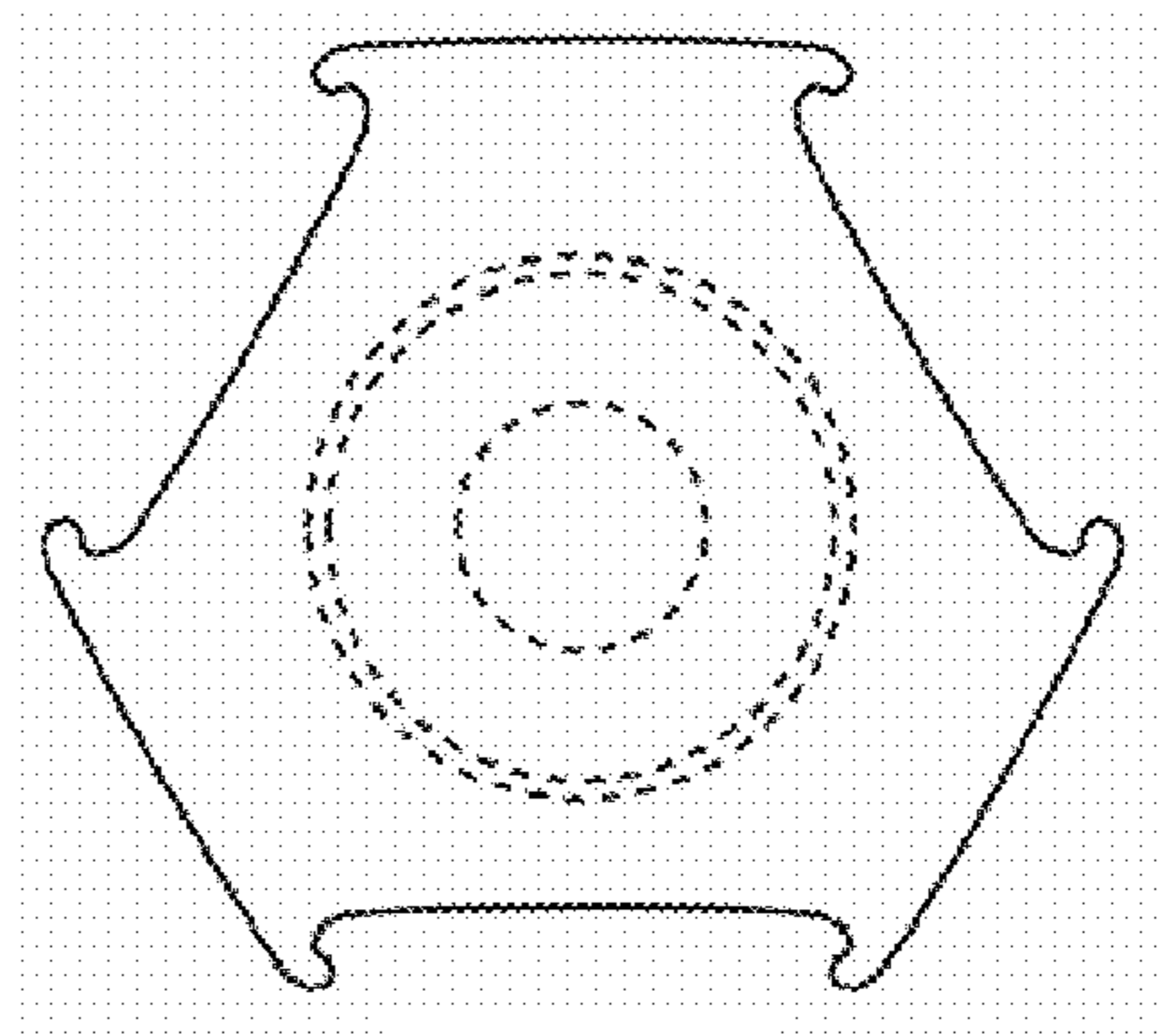


Fig. 4

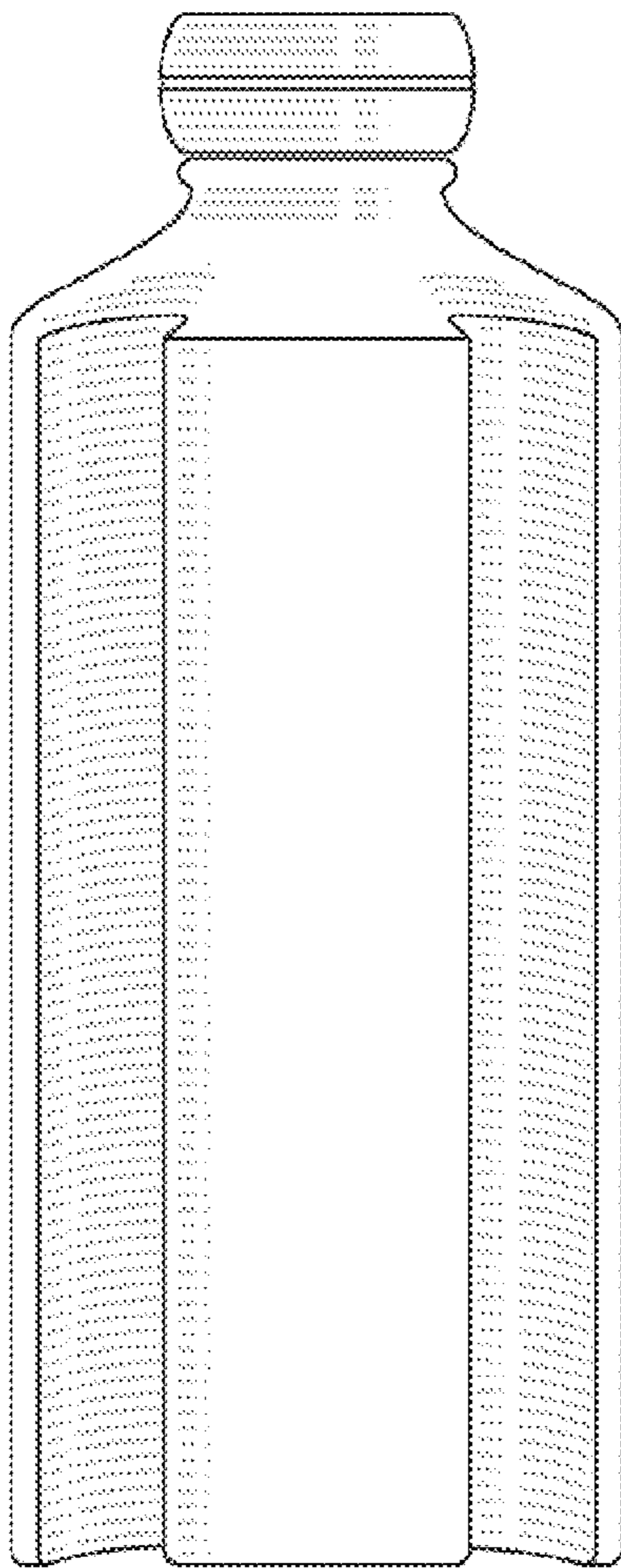


Fig. 1

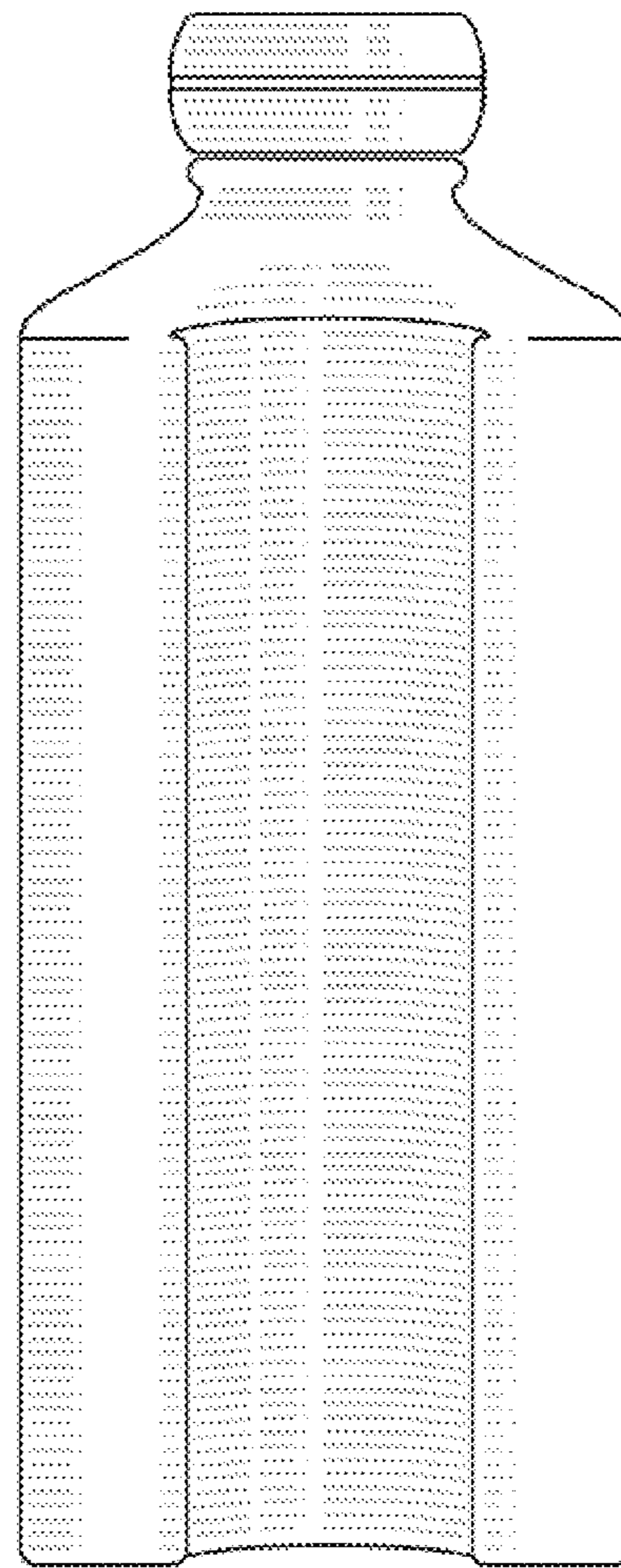


Fig. 2

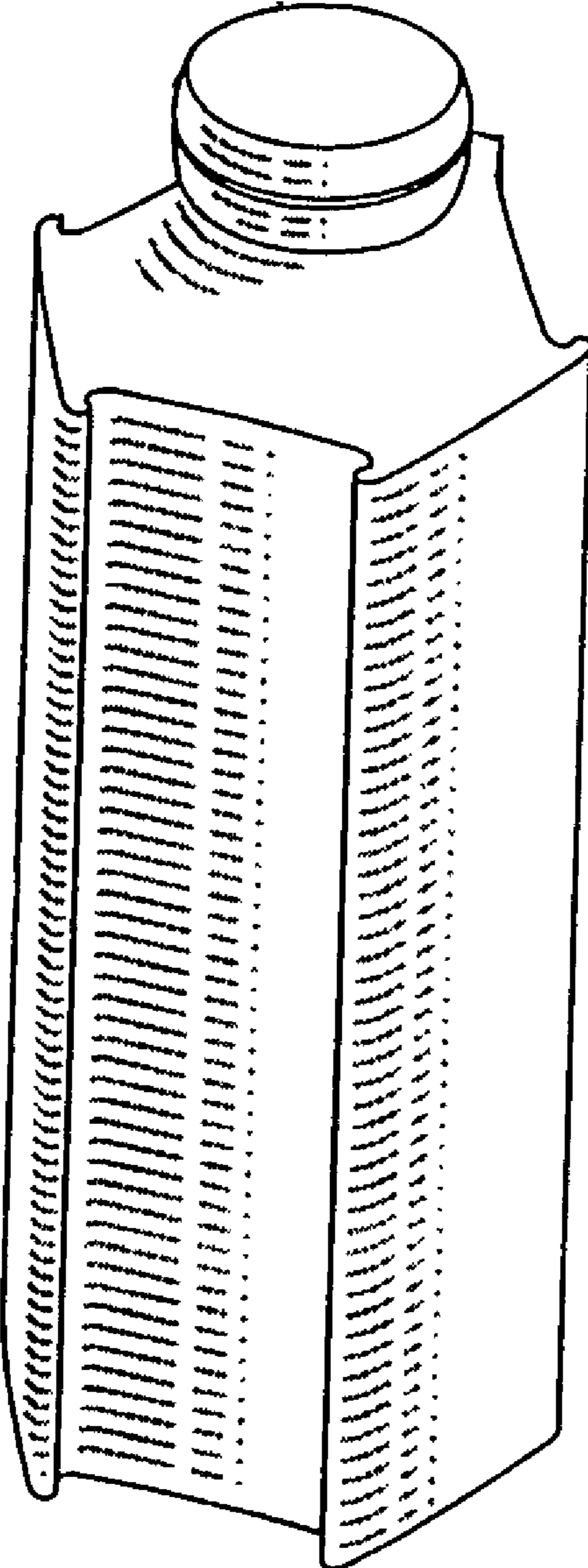


Fig. 5