



US00D586222S

(12) **United States Design Patent**  
**Little et al.**

(10) **Patent No.:** **US D586,222 S**  
(45) **Date of Patent:** **\*\* Feb. 10, 2009**

(54) **CONTAINER BODY PORTION**

(75) Inventors: **J. Steven Little**, Wadsworth, OH (US);  
**Sarah Jeanne Perez**, Cleveland, OH  
(US); **Karen Lee Wood**, Royal Oak, MI  
(US)

(73) Assignee: **Plastipak Packaging, Inc.**, Plymouth,  
MI (US)

(\*\*) Term: **14 Years**

(21) Appl. No.: **29/296,298**

(22) Filed: **Oct. 17, 2007**

(51) **LOC (9) Cl.** ..... **09-01**

(52) **U.S. Cl.** ..... **D9/531; D9/543**

(58) **Field of Classification Search** ..... D7/612-615;  
D9/516, 520, 528, 530-531, 534-535, 540,  
D9/561, 563, 575; 215/381-385  
See application file for complete search history.

(56) **References Cited**

**U.S. PATENT DOCUMENTS**

D381,582 S	7/1997	Bolton	
D381,903 S	8/1997	Zimmer et al.	
D403,578 S	1/1999	Paul et al.	
D413,200 S	8/1999	Baker	
D426,469 S	6/2000	Mankowski et al.	
D428,817 S	8/2000	Olson et al.	
D480,974 S *	10/2003	Blank	..... D9/543
D482,974 S *	12/2003	Nottingham et al.	..... D9/531
D521,387 S	5/2006	Little et al.	
7,169,418 B2	1/2007	Dalton et al.	
7,169,419 B2	1/2007	Dalton et al.	

D541,662 S	5/2007	Little et al.
D543,463 S	5/2007	Young et al.
D544,799 S	6/2007	Young et al.
D548,603 S	8/2007	Young et al.
D549,583 S	8/2007	Gruskin et al.
D549,584 S	8/2007	Gruskin et al.
D549,585 S	8/2007	Gruskin et al.
D550,091 S	9/2007	Gruskin et al.
D563,228 S	3/2008	Nottingham et al.

\* cited by examiner

*Primary Examiner*—Nanda Bondade

(74) *Attorney, Agent, or Firm*—Dykema Gossett PLLC

(57) **CLAIM**

The ornamental design for a container body portion, as shown and described.

**DESCRIPTION**

FIG. 1 is a top-front-right perspective view of a container body portion of the present invention;

FIG. 2 is a top-rear-right perspective view thereof;

FIG. 3 is a front elevational view thereof;

FIG. 4 is a left side elevational view thereof, the right side elevational view being mirror image of the left side elevational view;

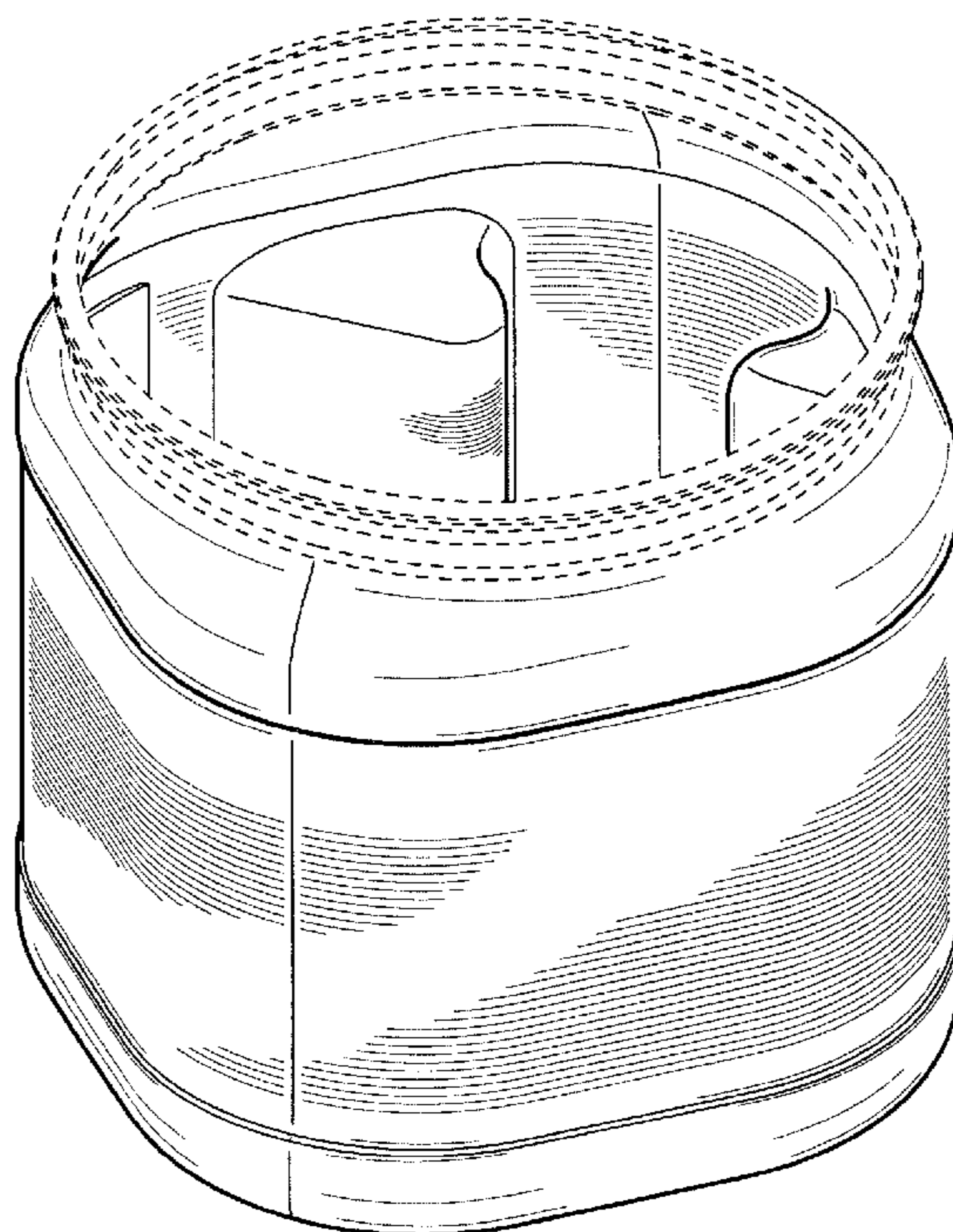
FIG. 5 is a rear elevational view thereof;

FIG. 6 is a top plan view thereof; and,

FIG. 7 is a bottom view thereof.

The broken lines shown in the drawings are for illustrative purposes only and do not form a part of the claimed design.

**1 Claim, 7 Drawing Sheets**



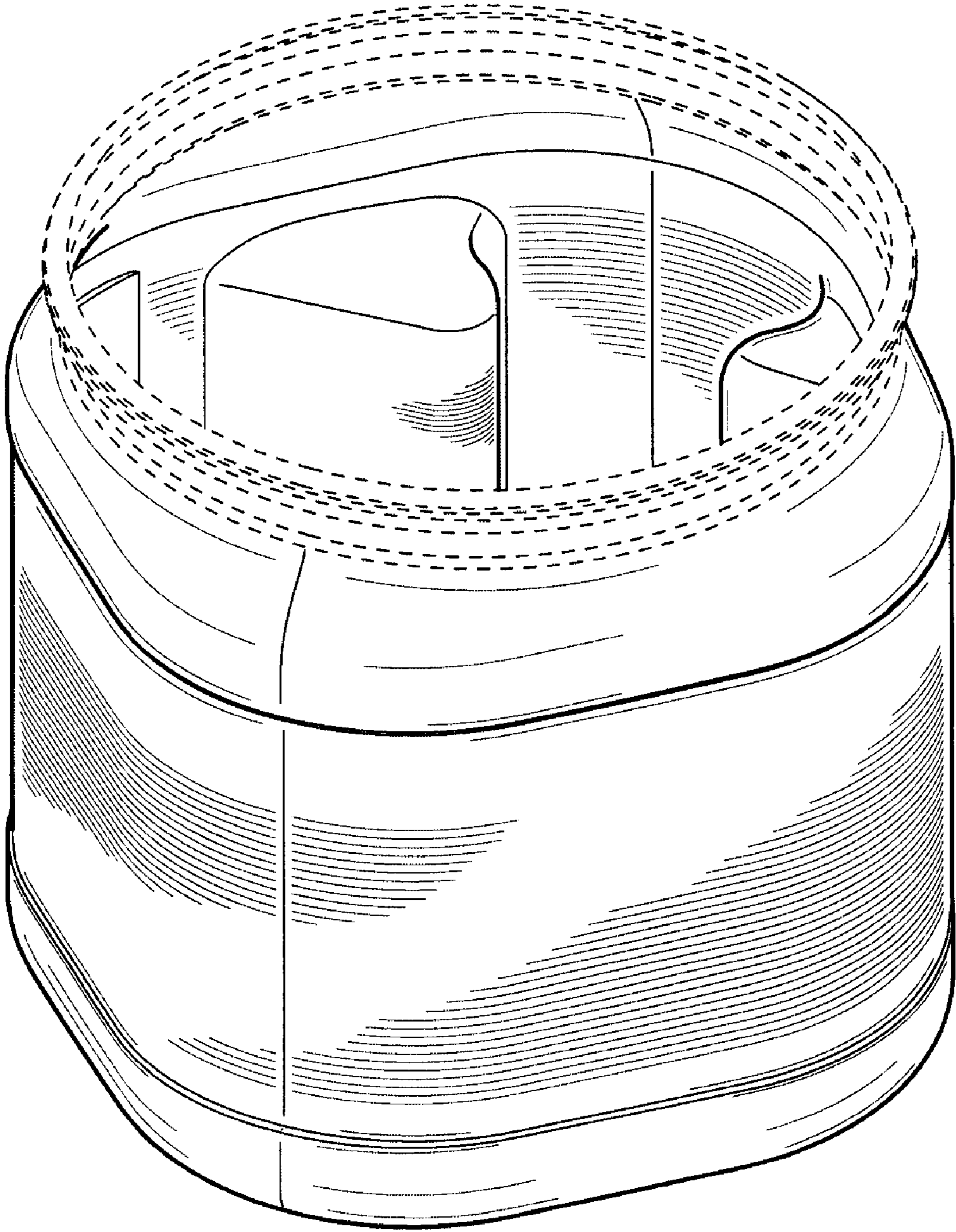


FIG. 1

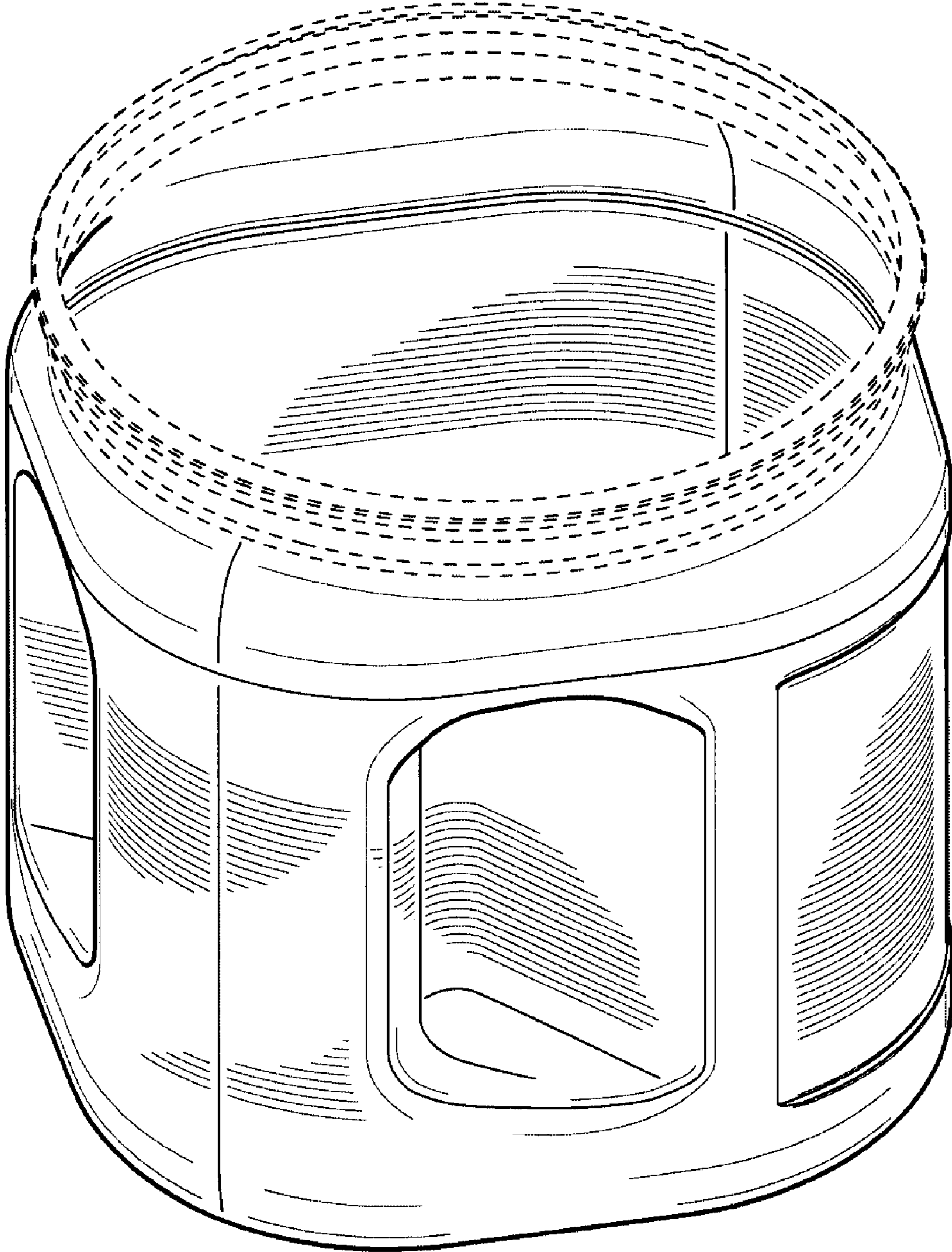


FIG. 2

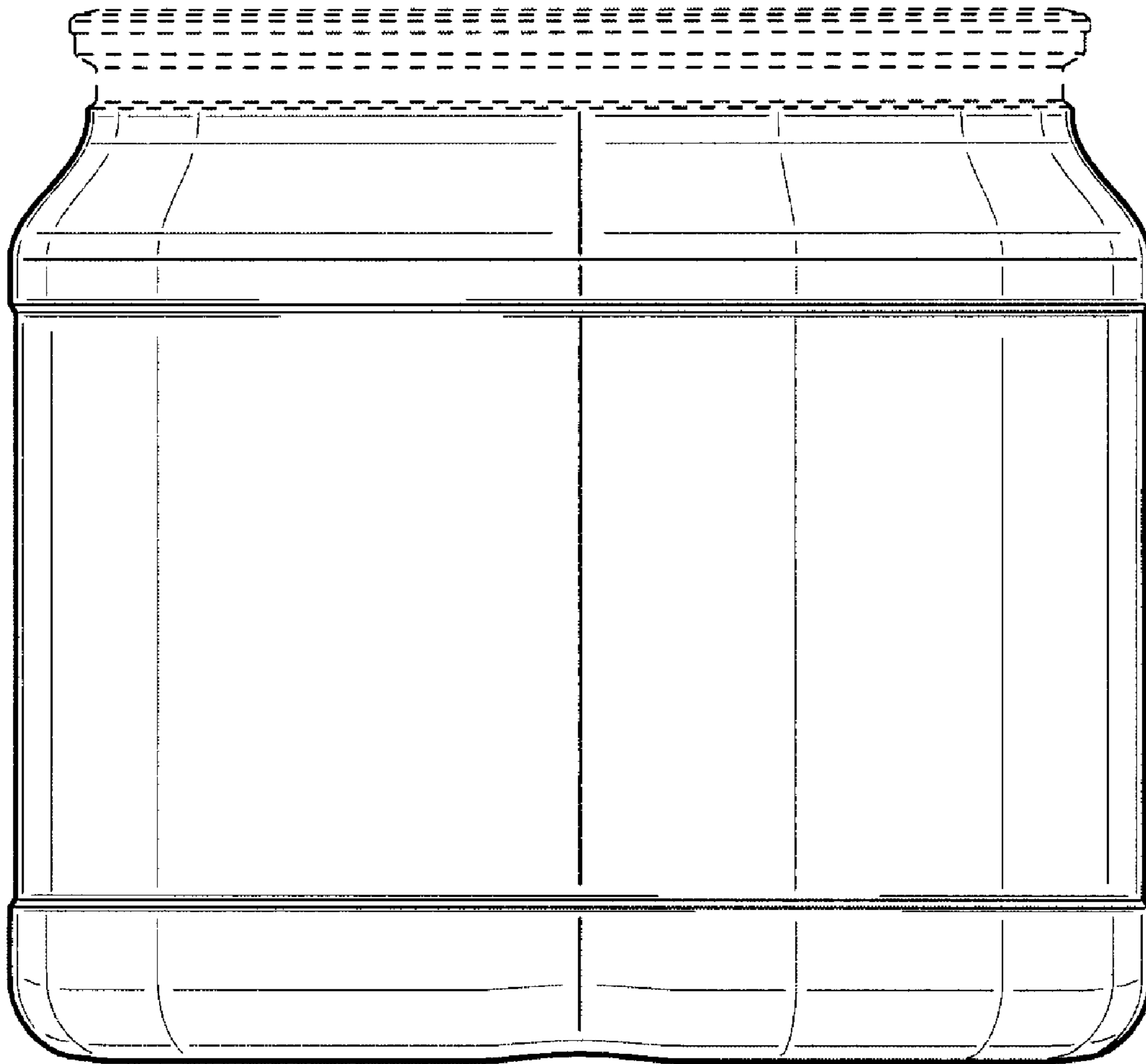


FIG. 3

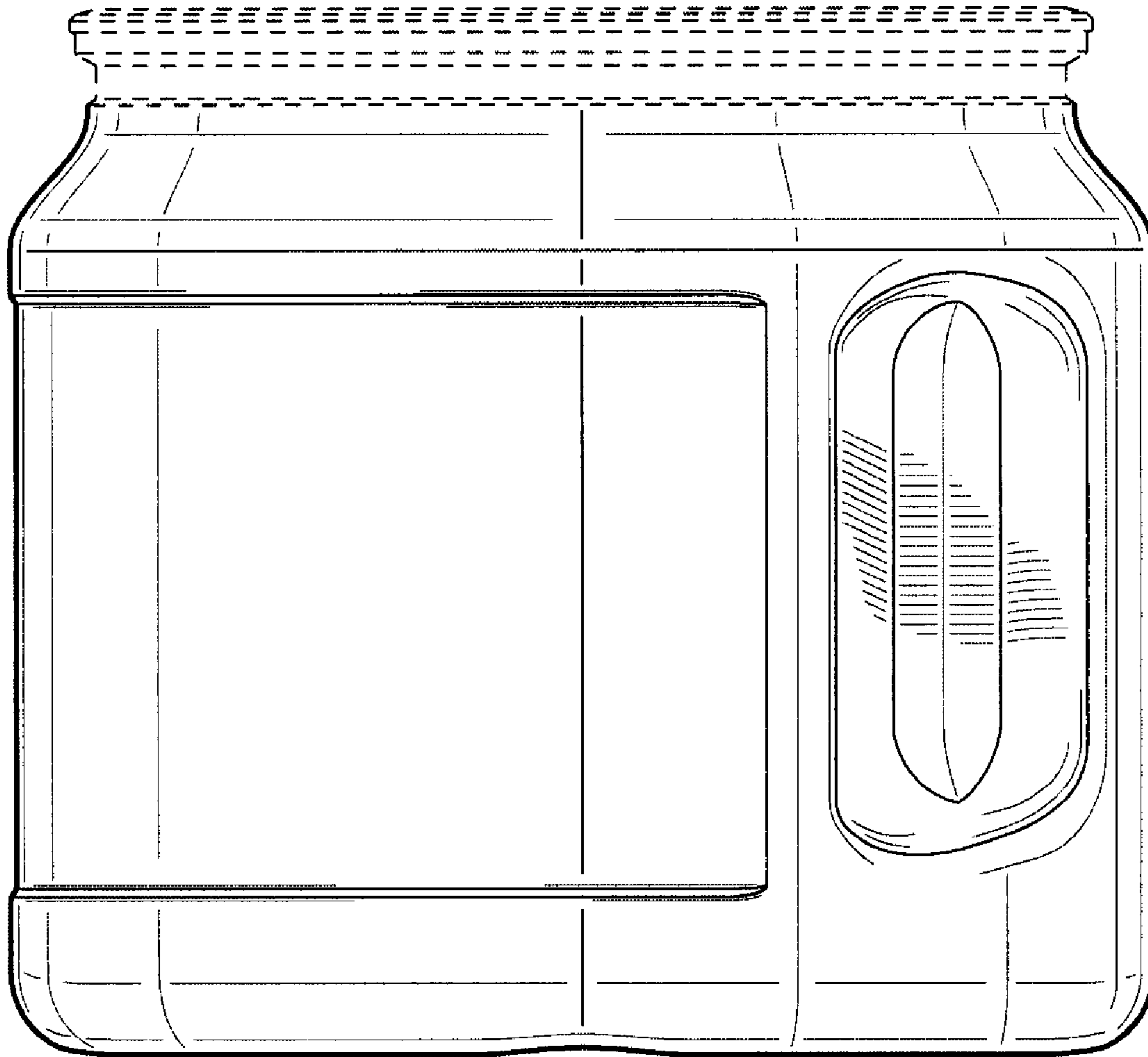


FIG. 4

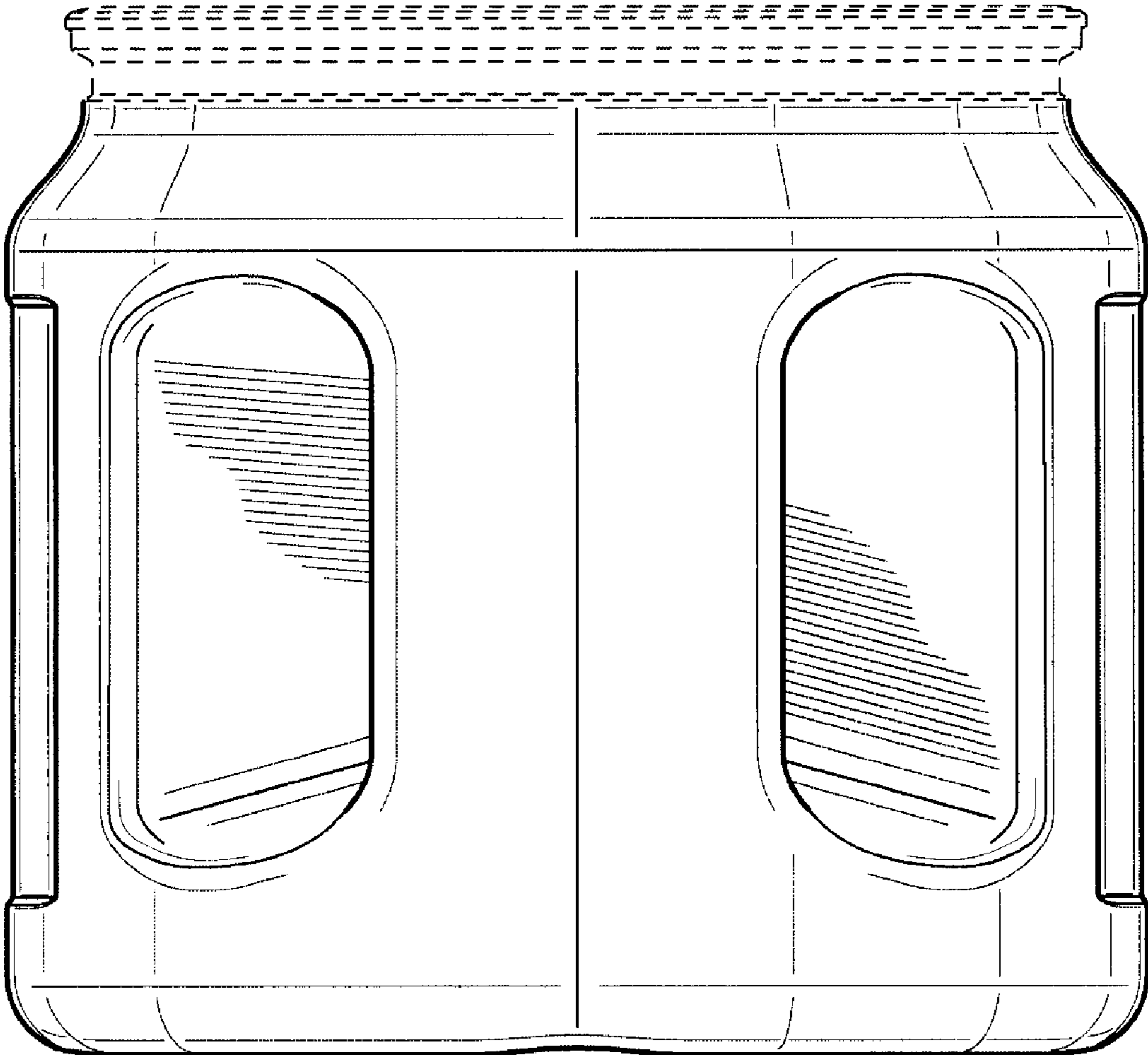


FIG. 5

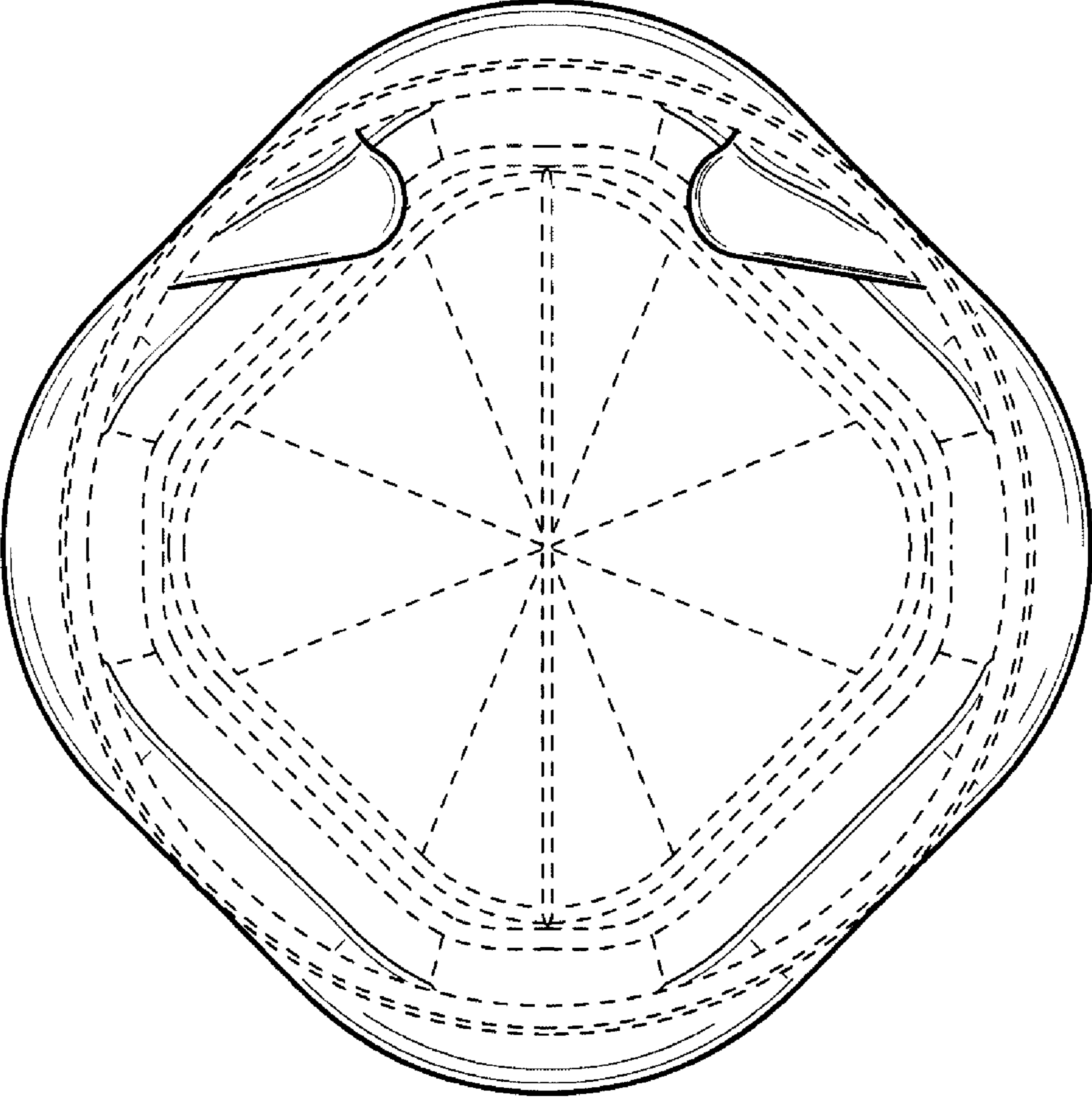
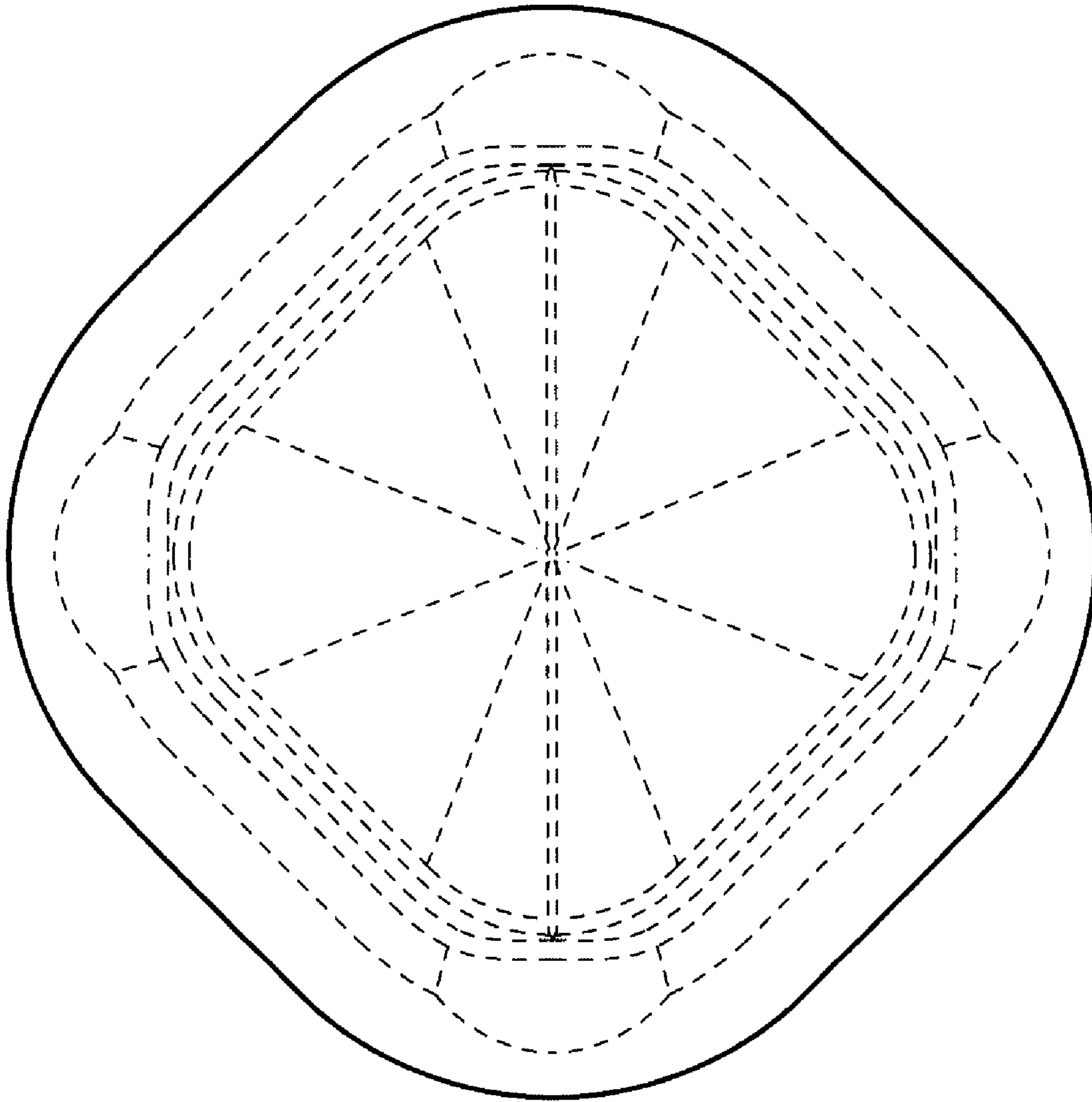


FIG. 6



*FIG. 7*