



US00D586217S

(12) **United States Design Patent**  
**Pedmo et al.**

(10) **Patent No.:** **US D586,217 S**  
(45) **Date of Patent:** **\*\* Feb. 10, 2009**

- (54) **PLASTIC CONTAINER BASE**
- (75) Inventors: **Marc A. Pedmo**, Brunswick, OH (US);  
**Richard C. Darr**, Medina, OH (US)
- (73) Assignee: **Plastipak Packaging, Inc.**, Plymouth, MI (US)
- (\*\*) Term: **14 Years**
- (21) Appl. No.: **29/294,045**
- (22) Filed: **Dec. 20, 2007**
- (51) **LOC (9) Cl.** ..... **09-01**
- (52) **U.S. Cl.** ..... **D9/520; D9/516**
- (58) **Field of Classification Search** ..... D7/601,  
D7/602, 603, 604, 605, 606; D9/516, 520,  
D9/522, 529, 530, 531, 536, 541, 542, 543,  
D9/548, 559, 560, 564, 566, 569, 570, 571,  
D9/572, 573, 574, 414; 215/381-385, 396,  
215/398  
See application file for complete search history.

- D407,609 S \* 4/1999 Rausch ..... D7/605
- D416,447 S \* 11/1999 Levy et al. .... D7/605
- D451,765 S \* 12/2001 Israel et al. .... D7/605
- D486,357 S \* 2/2004 Leba et al. .... D7/605
- D492,844 S \* 7/2004 Ramirez et al. .... D3/304

\* cited by examiner

*Primary Examiner*—Stella M Reid  
*Assistant Examiner*—Elizabeth J Oswecki  
(74) *Attorney, Agent, or Firm*—Dykema Gossett PLLC

(57) **CLAIM**

The ornamental design for a plastic container base, as shown and described.

**DESCRIPTION**

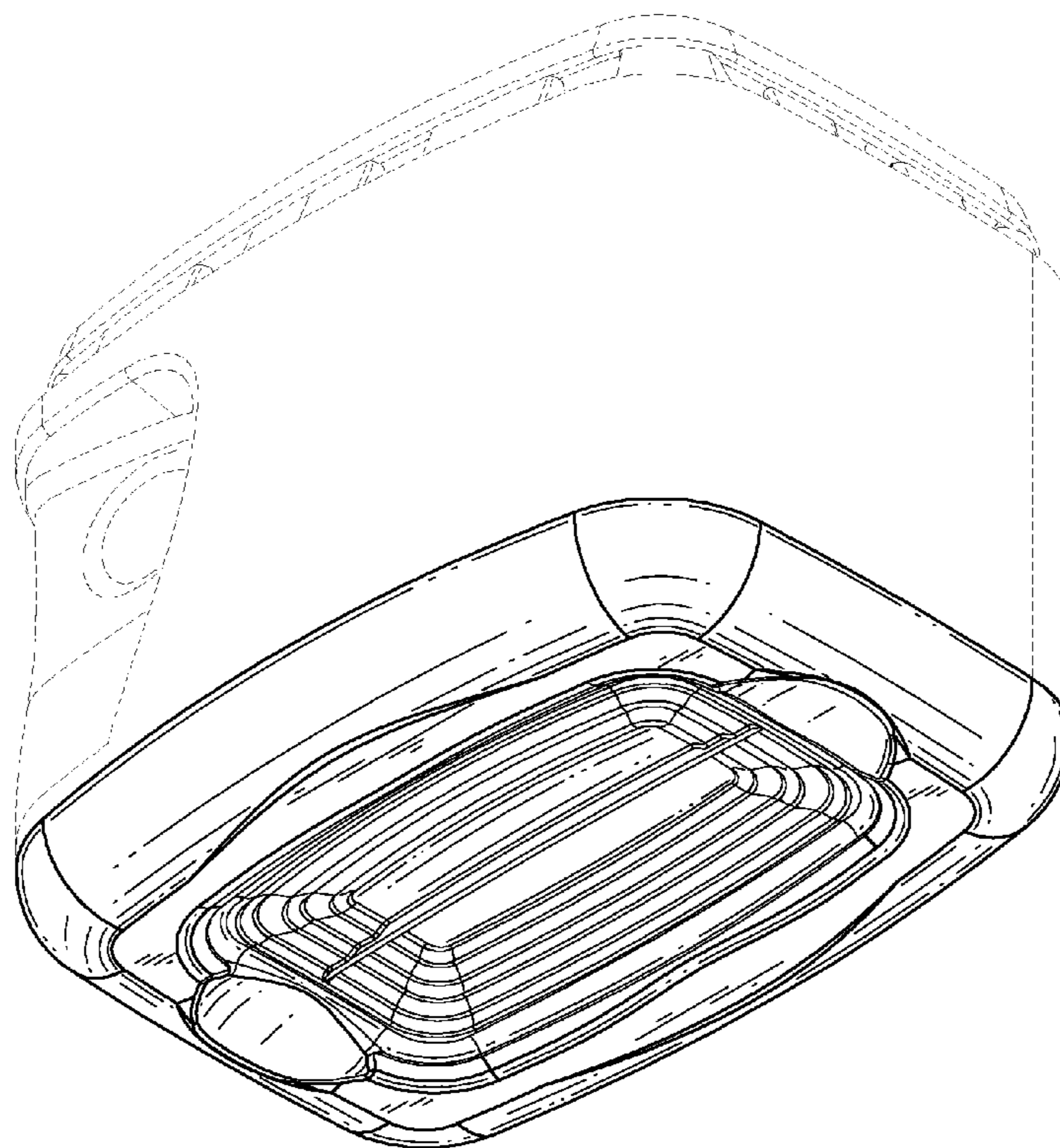
FIG. 1 is a top, front and left side perspective view of a plastic container base showing our new design;  
FIG. 2 is a bottom, left side and front perspective view thereof;  
FIG. 3 is a front elevation view thereof;  
FIG. 4 is a rear elevation view thereof;  
FIG. 5 is a bottom plan view thereof;  
FIG. 6 is a top plan view thereof;  
FIG. 7 is a right side elevation view thereof; and,  
FIG. 8 is a left side elevation view thereof.  
The broken lines shown in the drawings are for illustrative purposes only and form no part of the claimed design.

(56) **References Cited**

**U.S. PATENT DOCUMENTS**

- D232,798 S \* 9/1974 Roche ..... D7/605
- D286,379 S \* 10/1986 Lyons ..... D9/520
- D286,615 S \* 11/1986 Lyons ..... D9/520
- D325,323 S \* 4/1992 Kahl ..... D7/605
- D369,695 S \* 5/1996 Imotani ..... D6/397
- D398,816 S \* 9/1998 Koutsouflakis ..... D7/605
- D399,706 S \* 10/1998 Paletti et al. .... D7/605

**1 Claim, 3 Drawing Sheets**



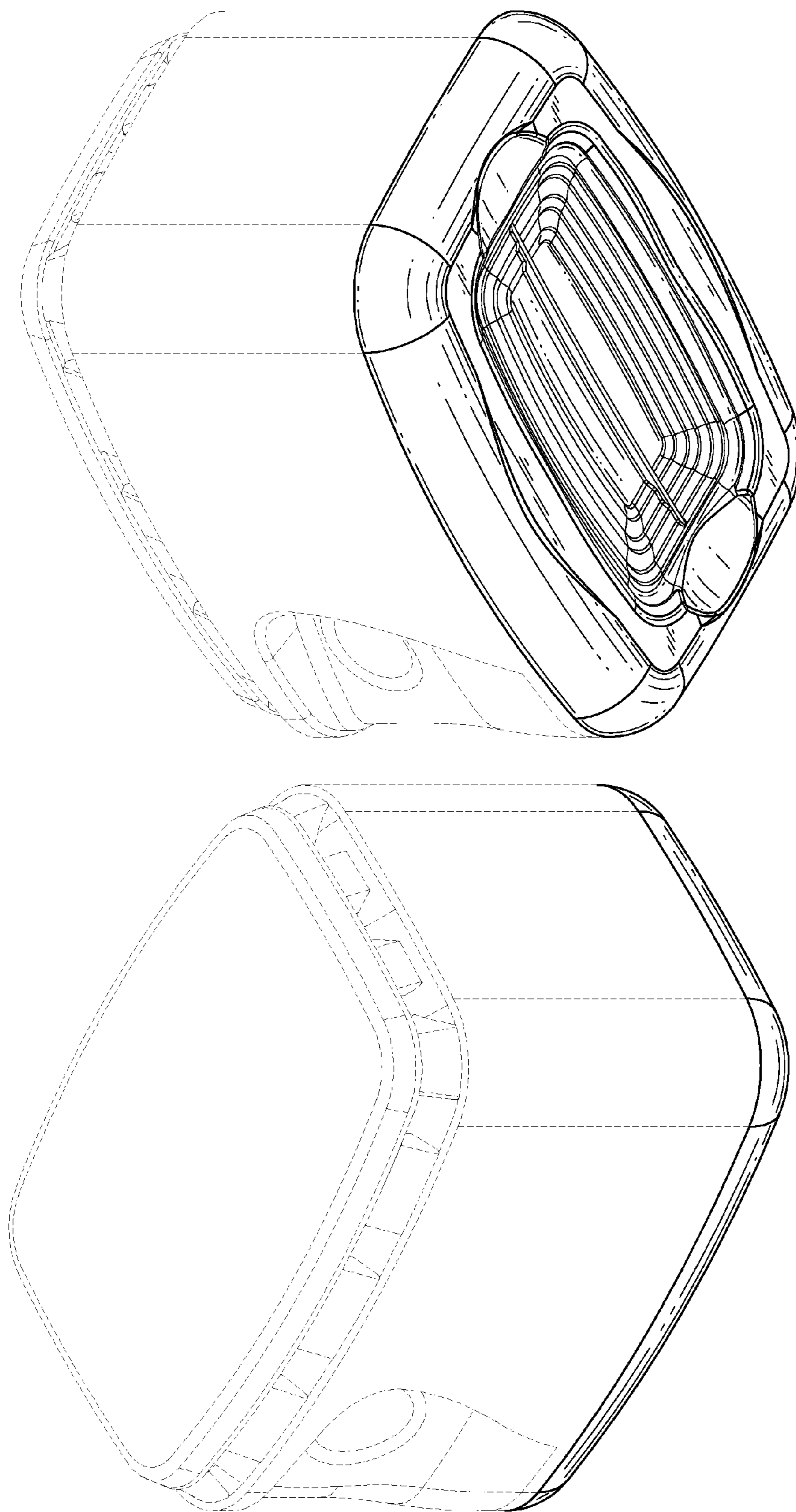


FIG. 2

FIG. 1

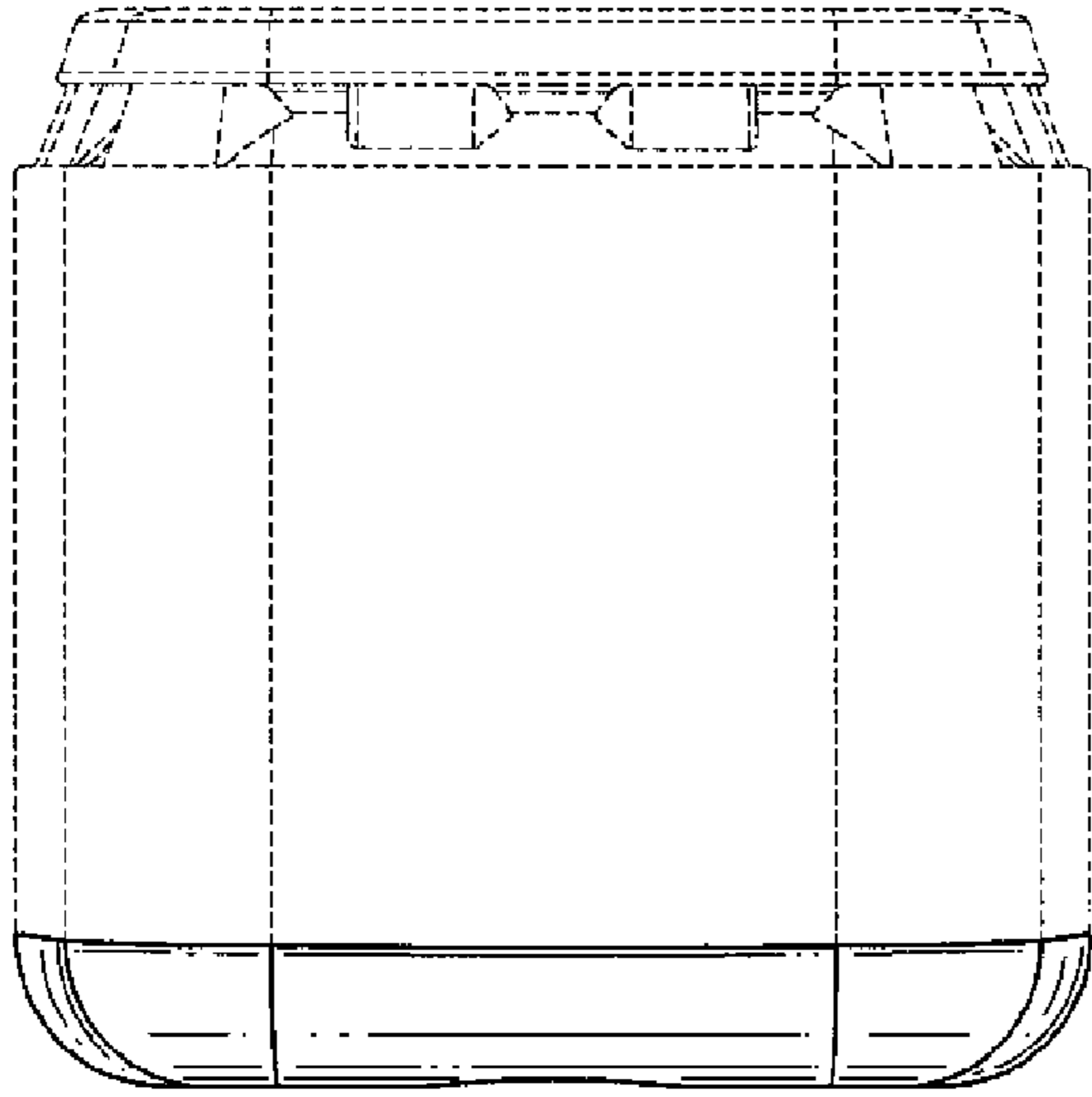


FIG. 3

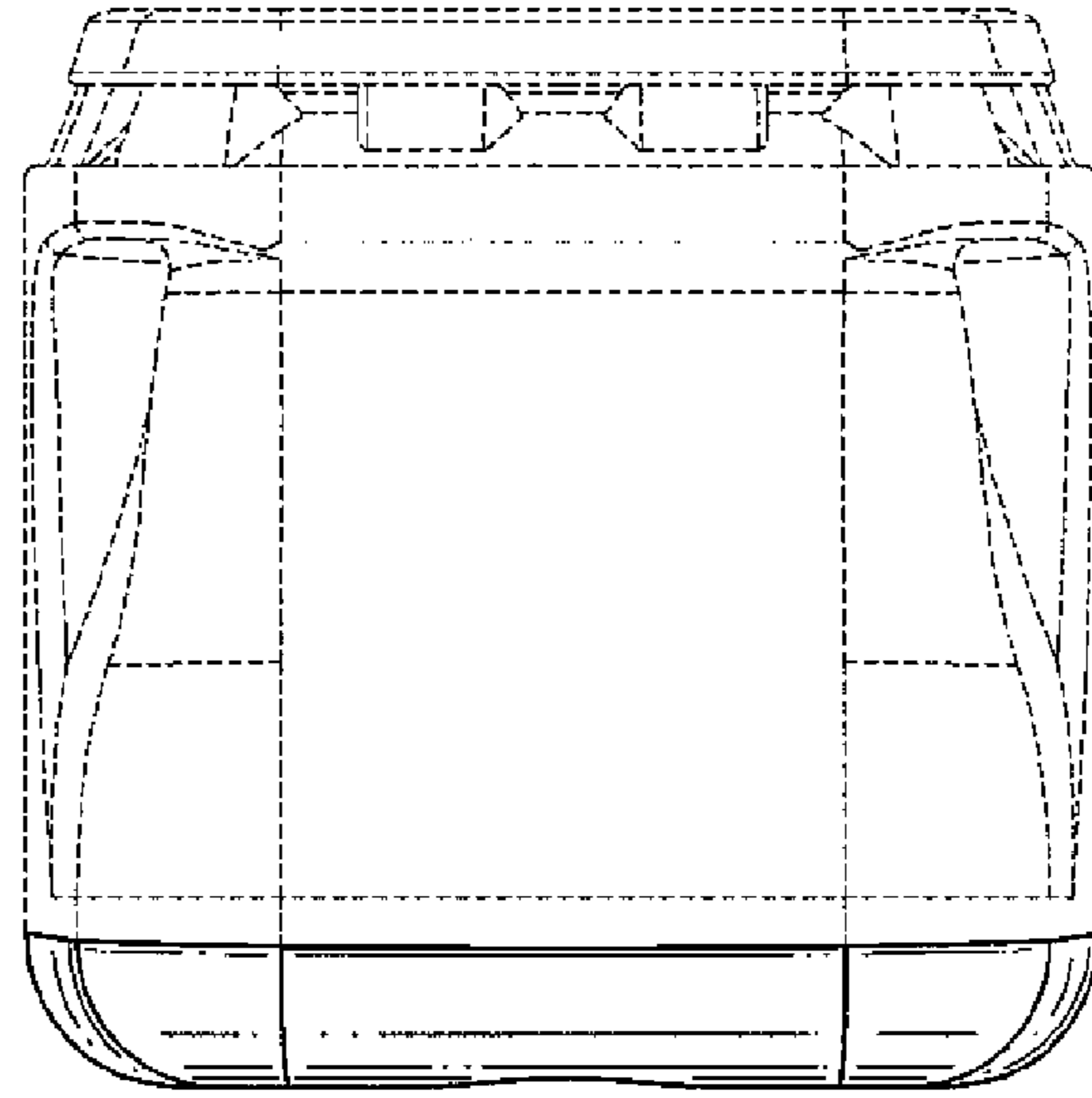


FIG. 4

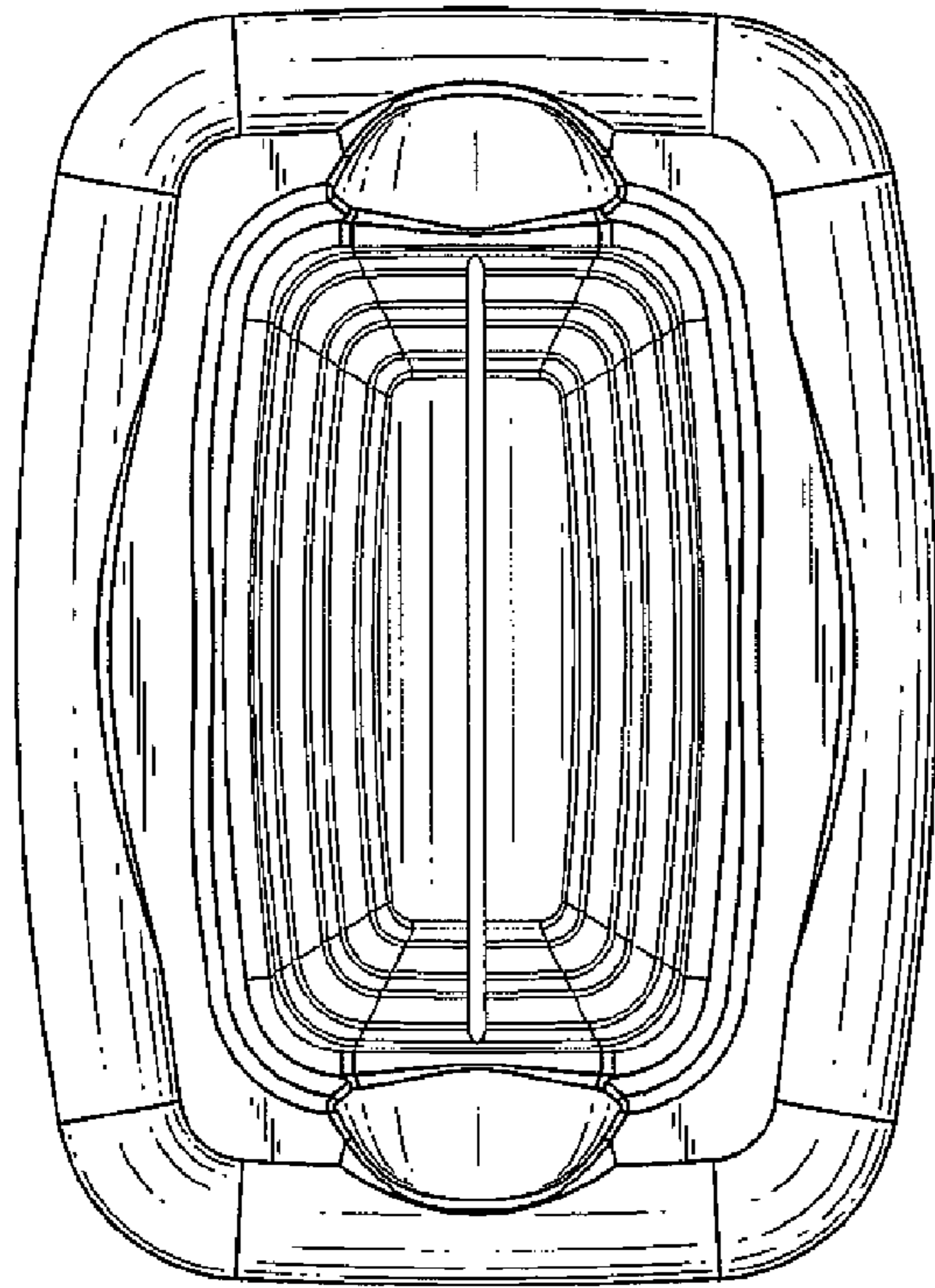


FIG. 5

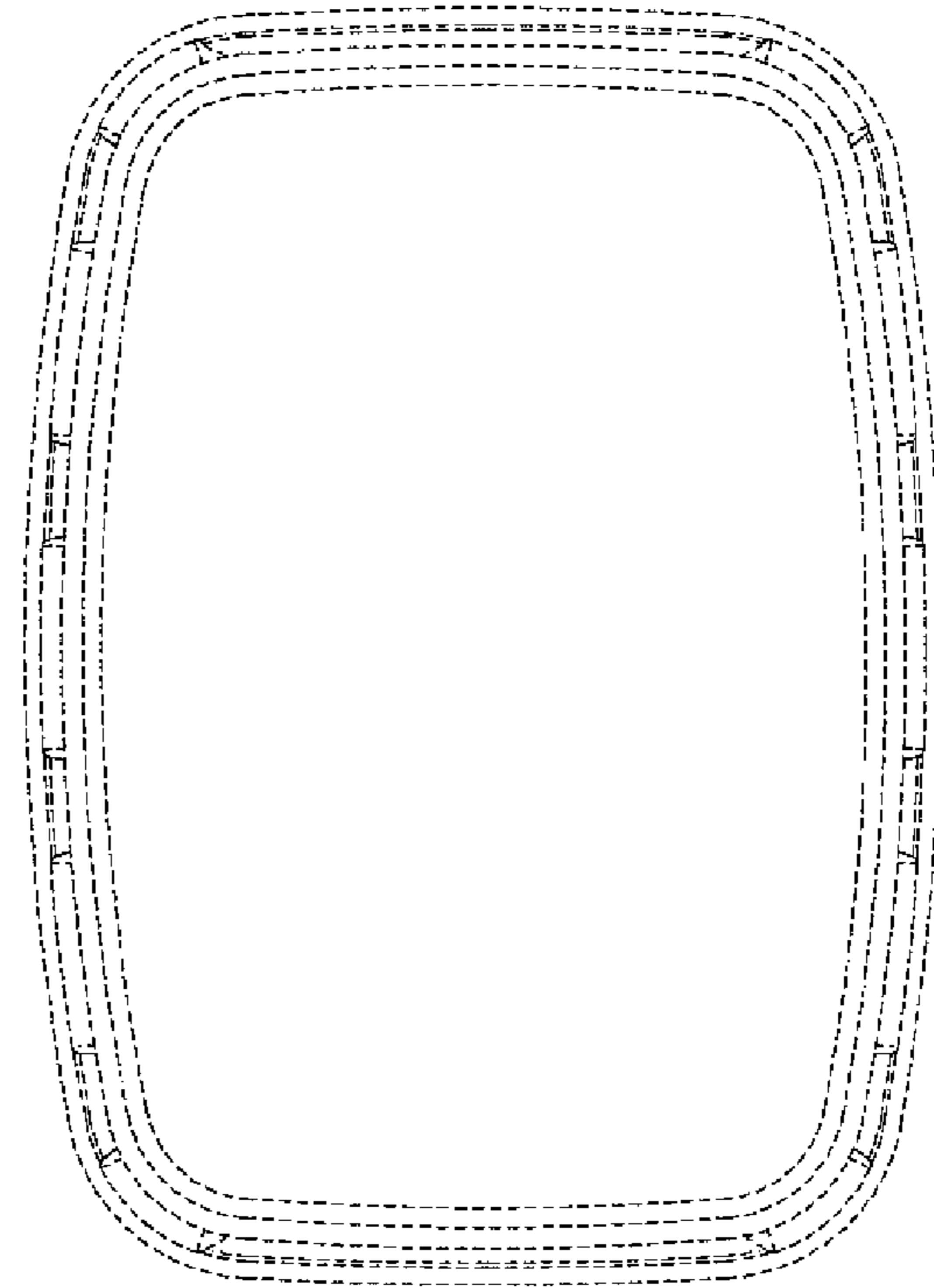
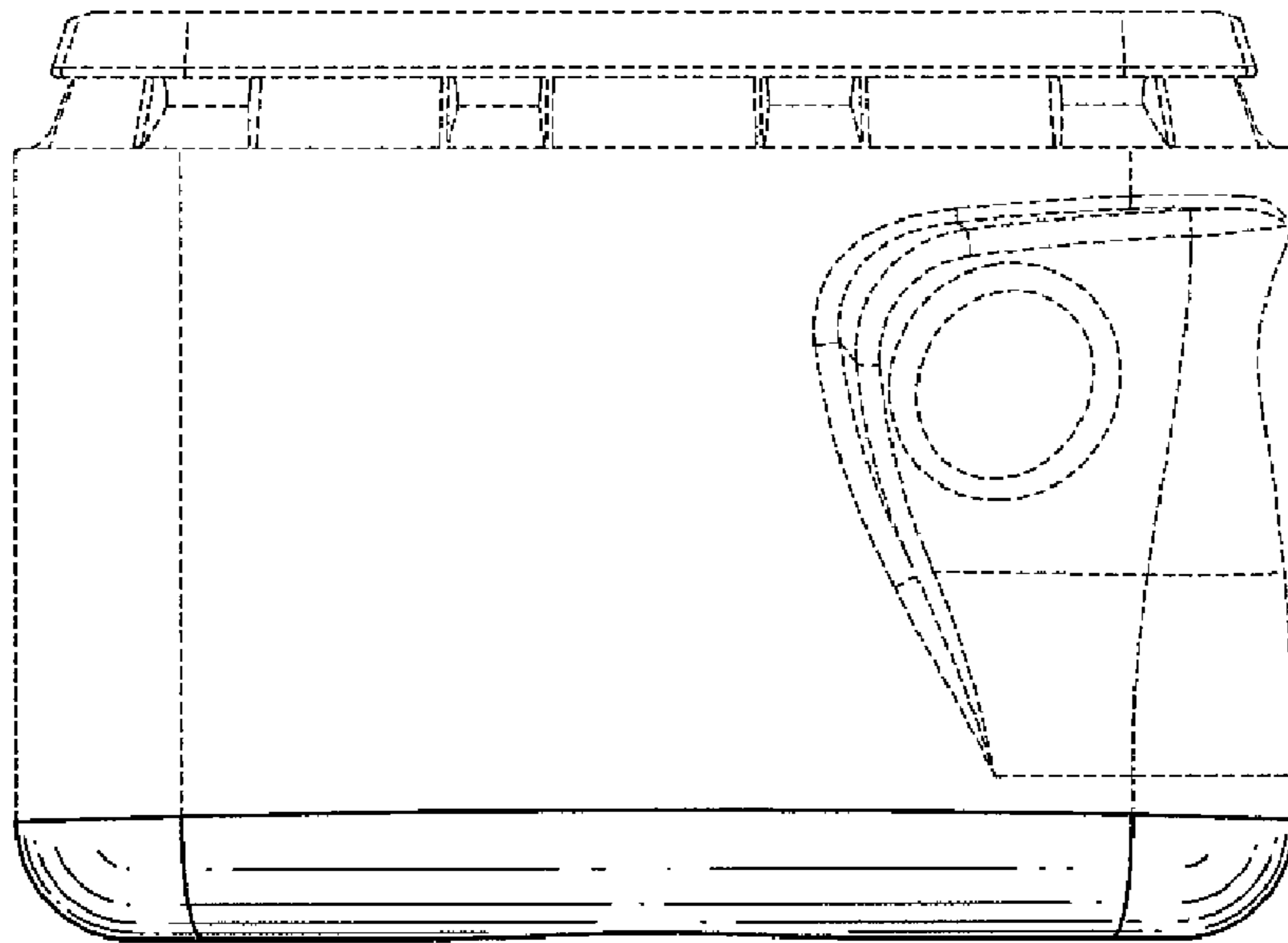
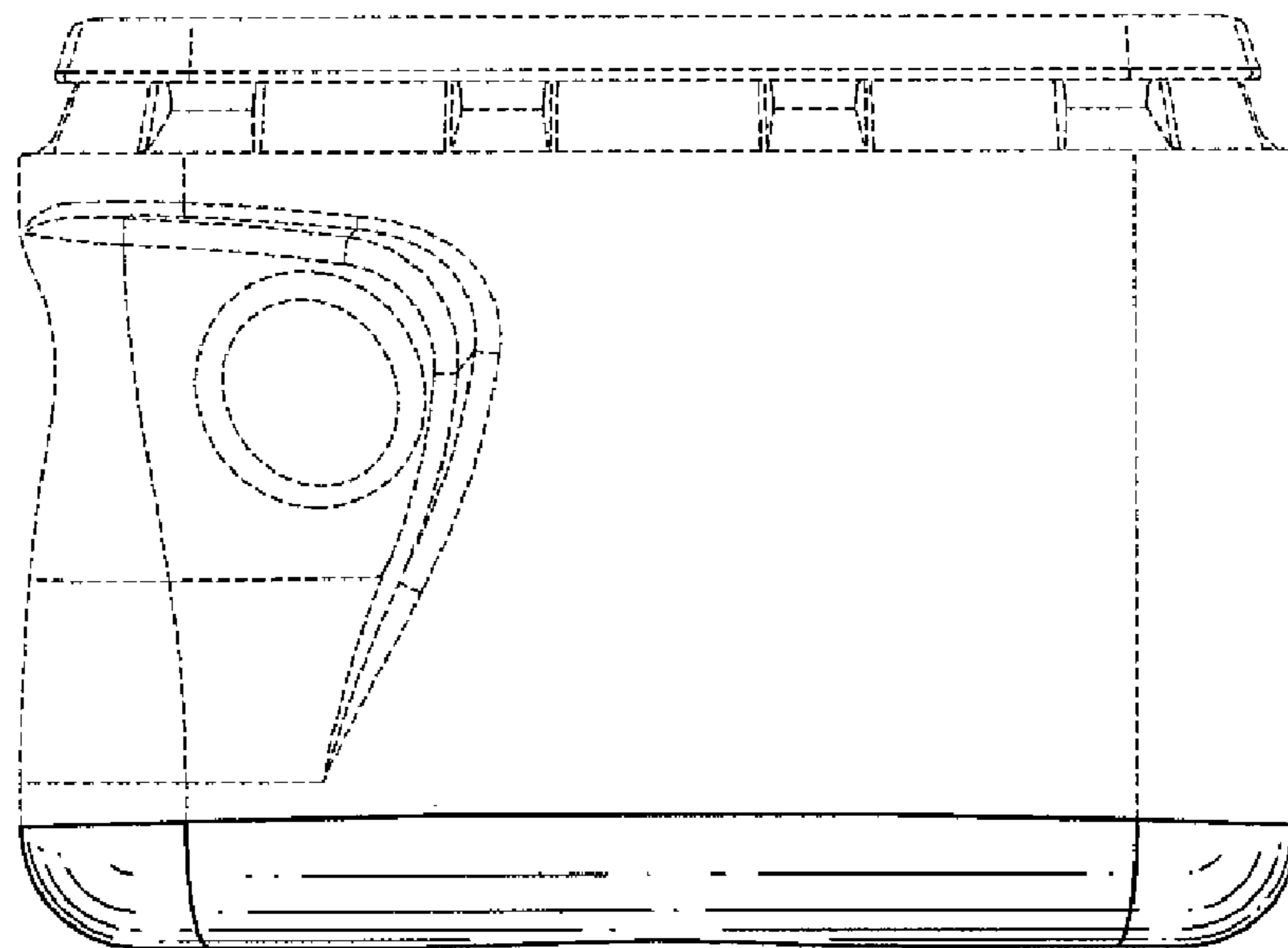


FIG. 6



*FIG. 7*



*FIG. 8*