



US00D586207S

(12) **United States Design Patent**
Giddings

(10) **Patent No.:** **US D586,207 S**

(45) **Date of Patent:** **** Feb. 10, 2009**

(54) **FASTENER**

(75) Inventor: **Brian Giddings**, Bournemouth (GB)

(73) Assignee: **Bighead Bonding Fasteners Ltd.**,
Bournemouth, Dorset (GB)

(**) Term: **14 Years**

(21) Appl. No.: **29/287,820**

(22) Filed: **Sep. 24, 2007**

(30) **Foreign Application Priority Data**

Mar. 23, 2007 (EM) 000697750

(51) **LOC (9) Cl.** **08-08**

(52) **U.S. Cl.** **D8/382**

(58) **Field of Classification Search** D8/382;
D23/262, 263; 403/300, 305, 306, 205, 312,
403/388, 217, 169, 170, 173, 174

See application file for complete search history.

(56) **References Cited**

U.S. PATENT DOCUMENTS

D462,256 S * 9/2002 Jaynes D8/382

* cited by examiner

Primary Examiner—Holly H Baynham

Assistant Examiner—Sheryl Lane

(74) *Attorney, Agent, or Firm*—Mattingly, Stanger, Malur & Brundidge, P.C.

(57) **CLAIM**

The ornamental design for a fastener, as shown and described.

DESCRIPTION

FIG. 1 is a front elevational view of a first embodiment of a two member fastener showing the design;

FIG. 2 is a top plan view of FIG. 1 thereof;

FIG. 3 is a bottom plan view of FIG. 1 thereof;

FIG. 4 is a front perspective view of the top member of FIG. 1, inverted from the position shown in FIG. 1 and with the bottom member removed;

FIG. 5 is a front perspective view of the bottom member of FIG. 1, shown with the top member removed;

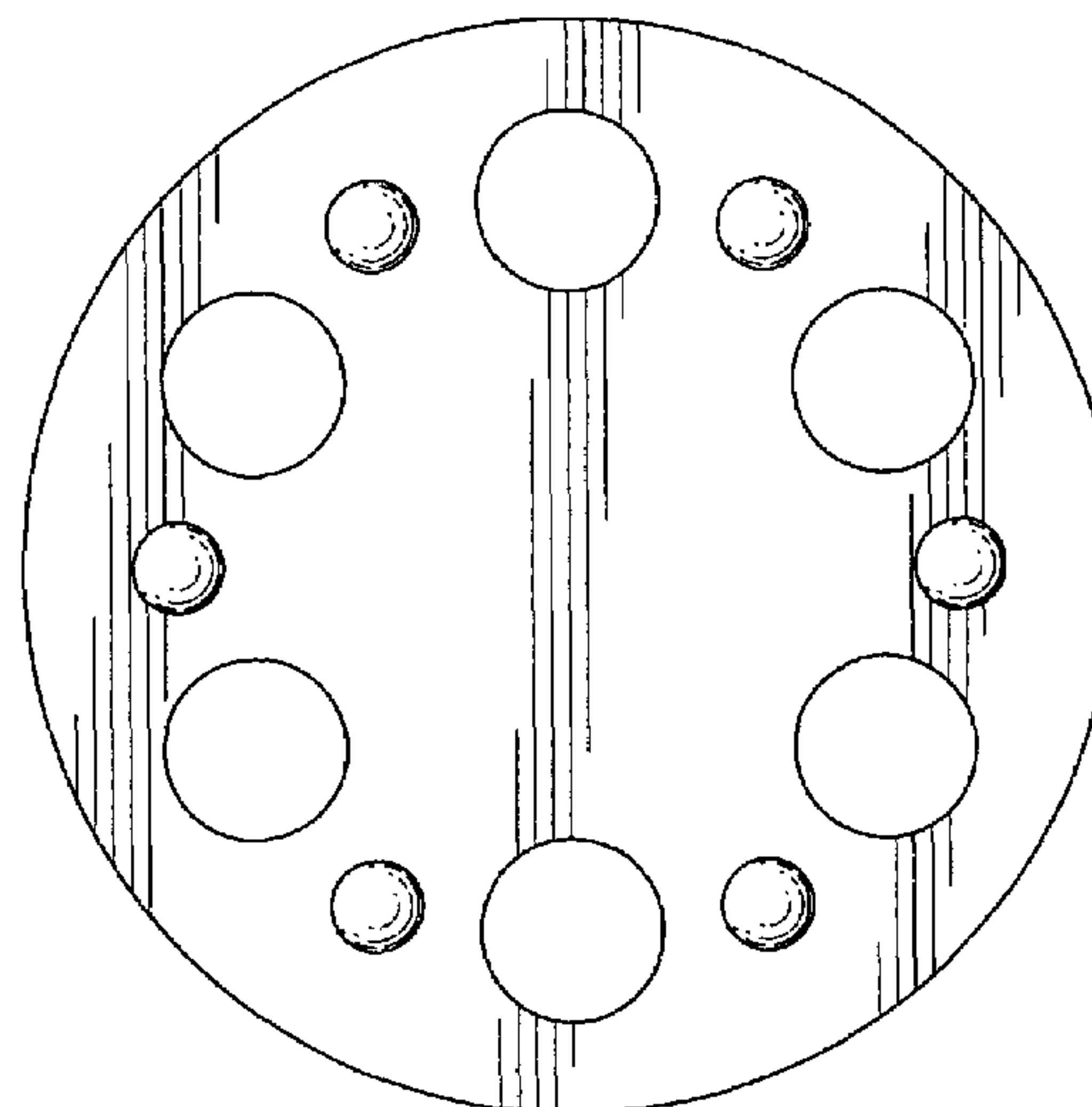
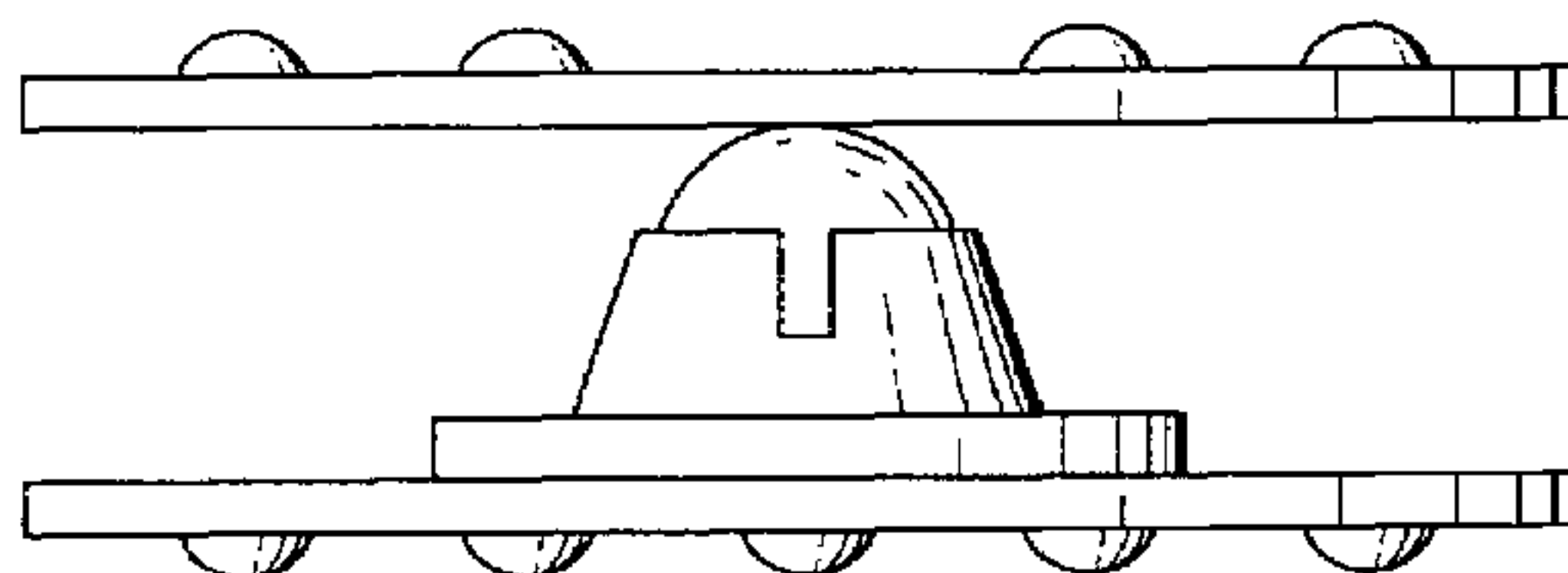
FIG. 6 is a front perspective view of the top member of FIG. 1, shown with the bottom member removed thereof;

FIG. 7 is a front perspective view of the bottom member of FIG. 1, inverted from the position shown in FIG. 1 and with the top member removed;

FIG. 8 is a front perspective view of the fastener of FIG. 1; and,

FIG. 9 is a front perspective view of the fastener of FIG. 1, inverted from the position shown in FIG. 1.

1 Claim, 3 Drawing Sheets



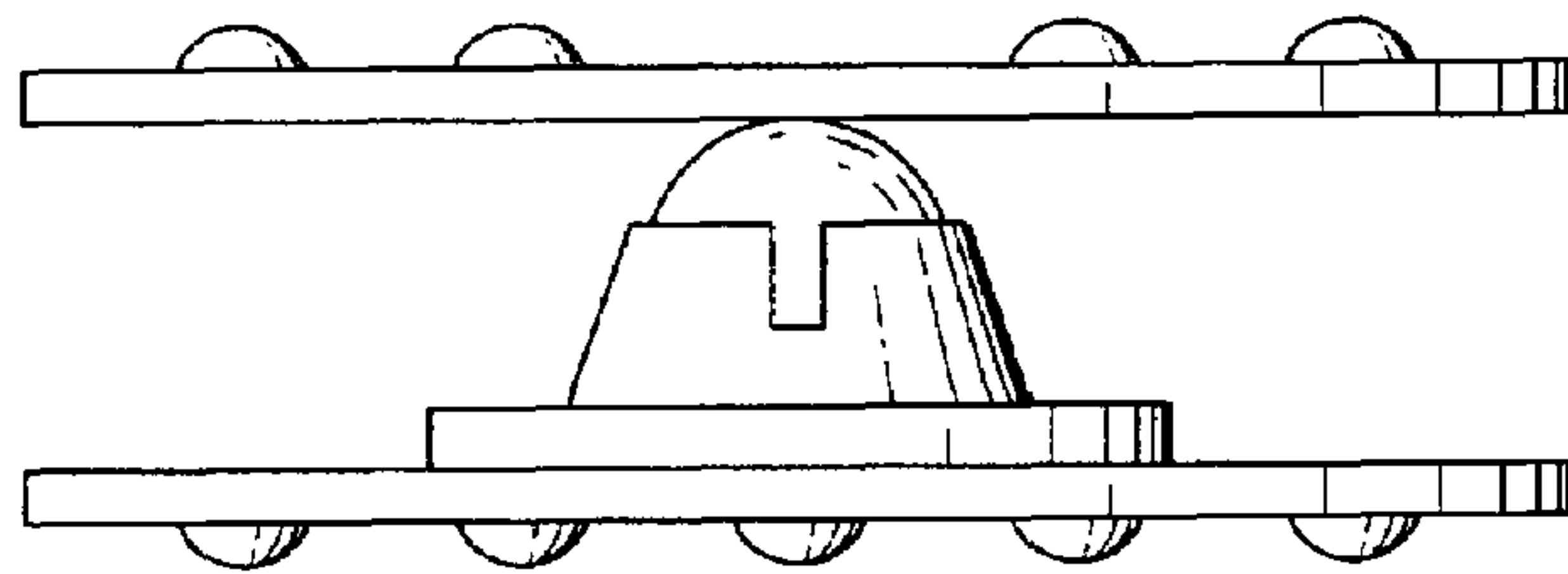


FIG. 1

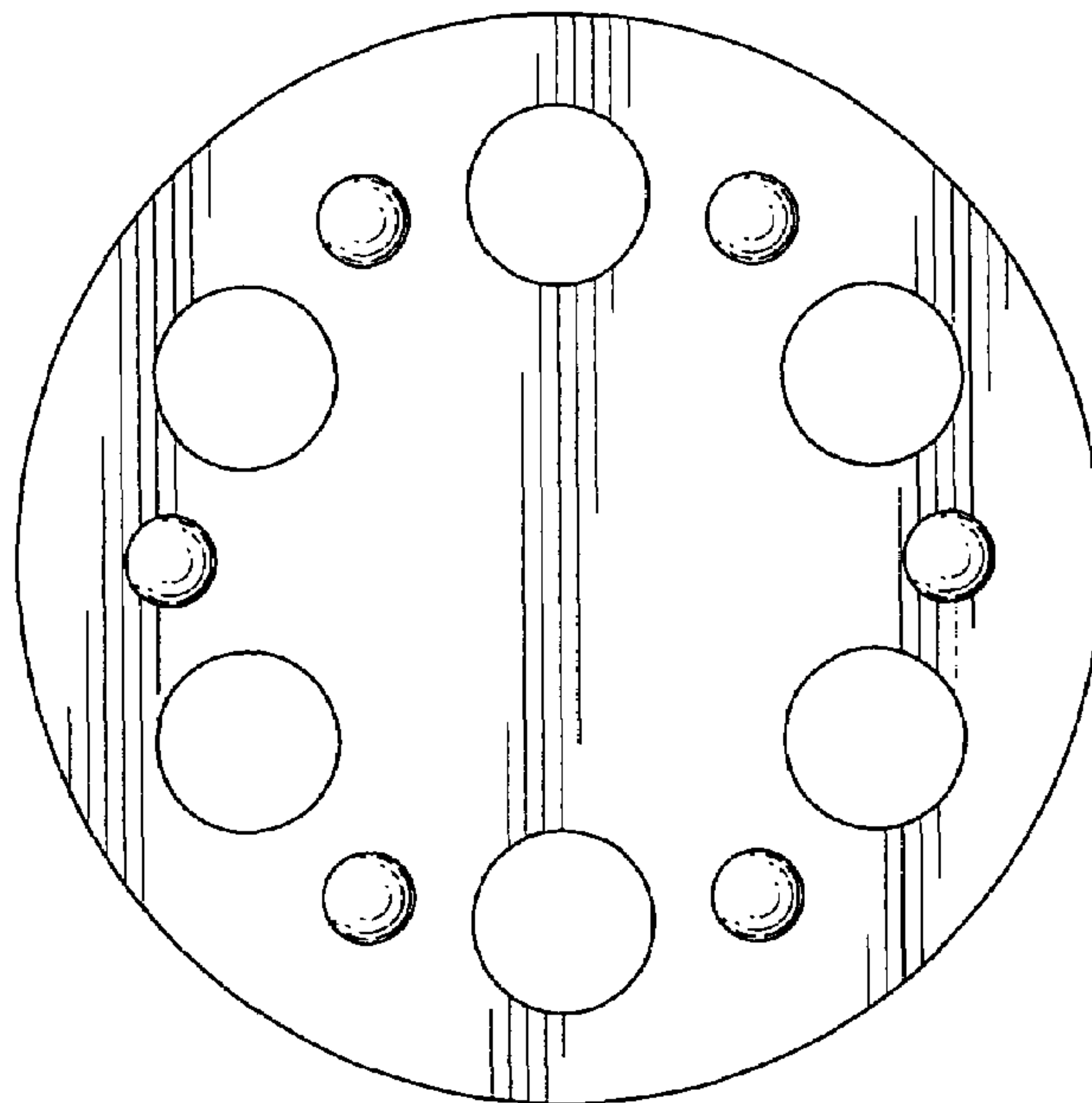


FIG. 2

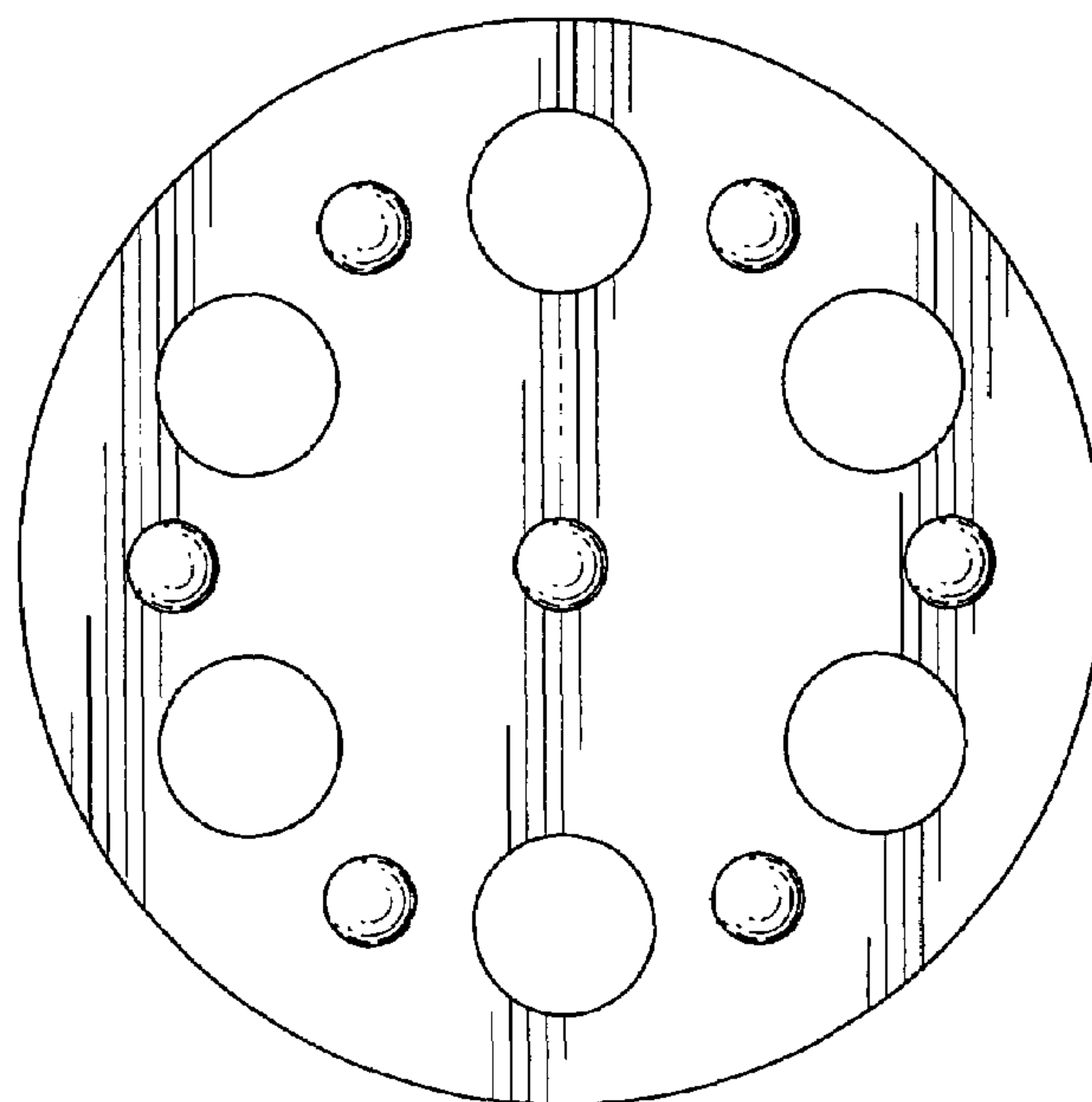


FIG. 3

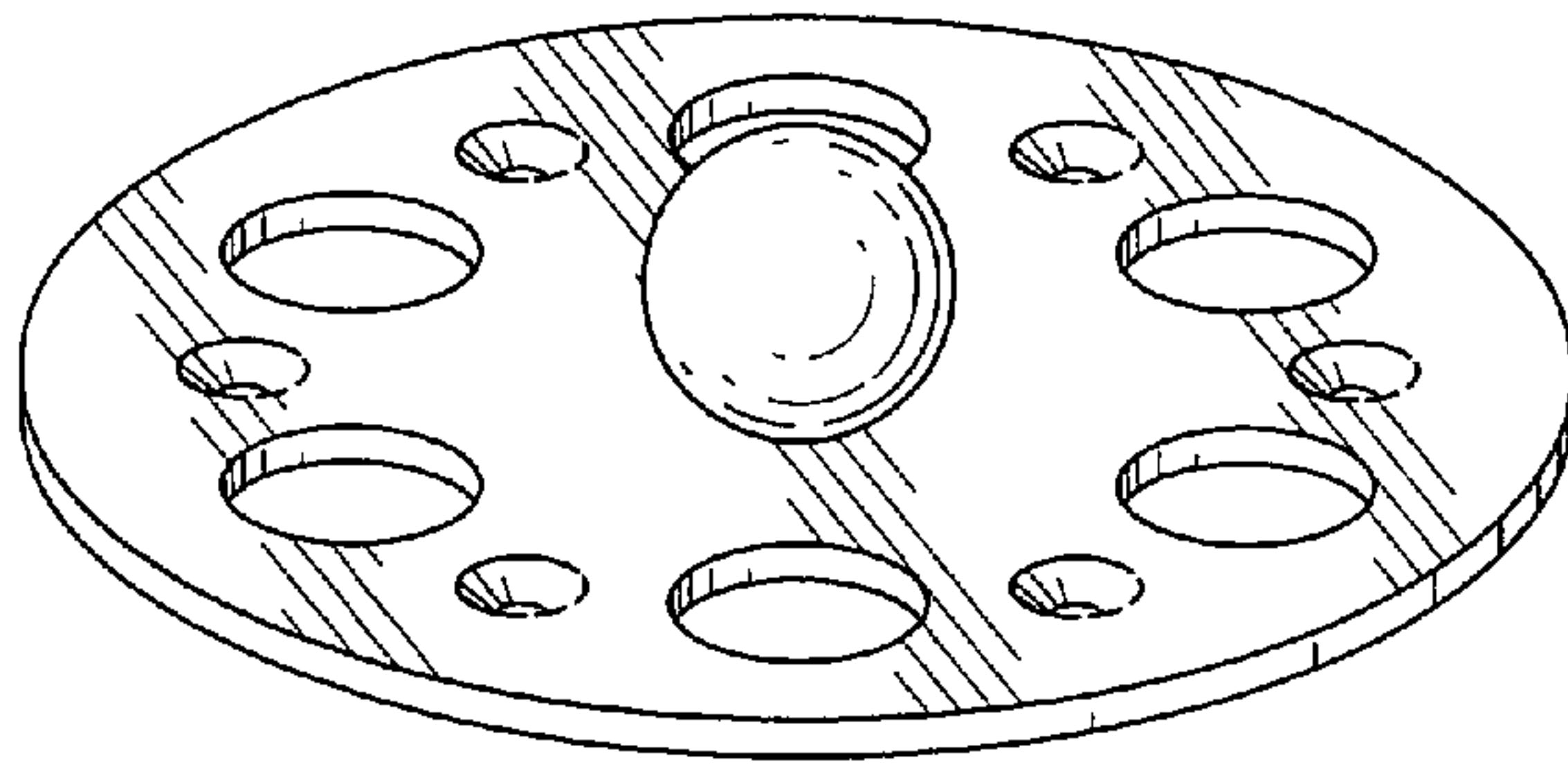


FIG. 4

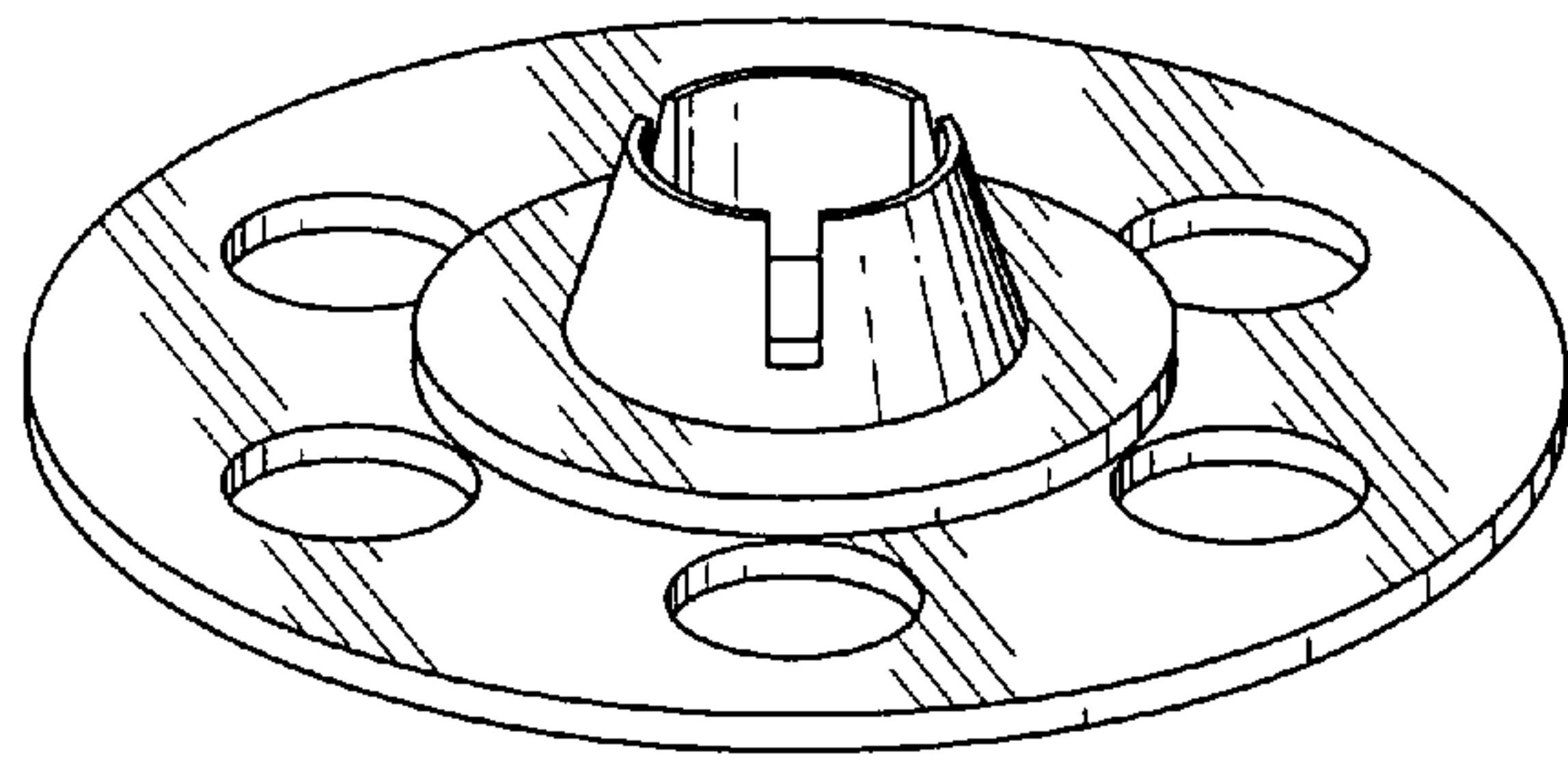


FIG. 5

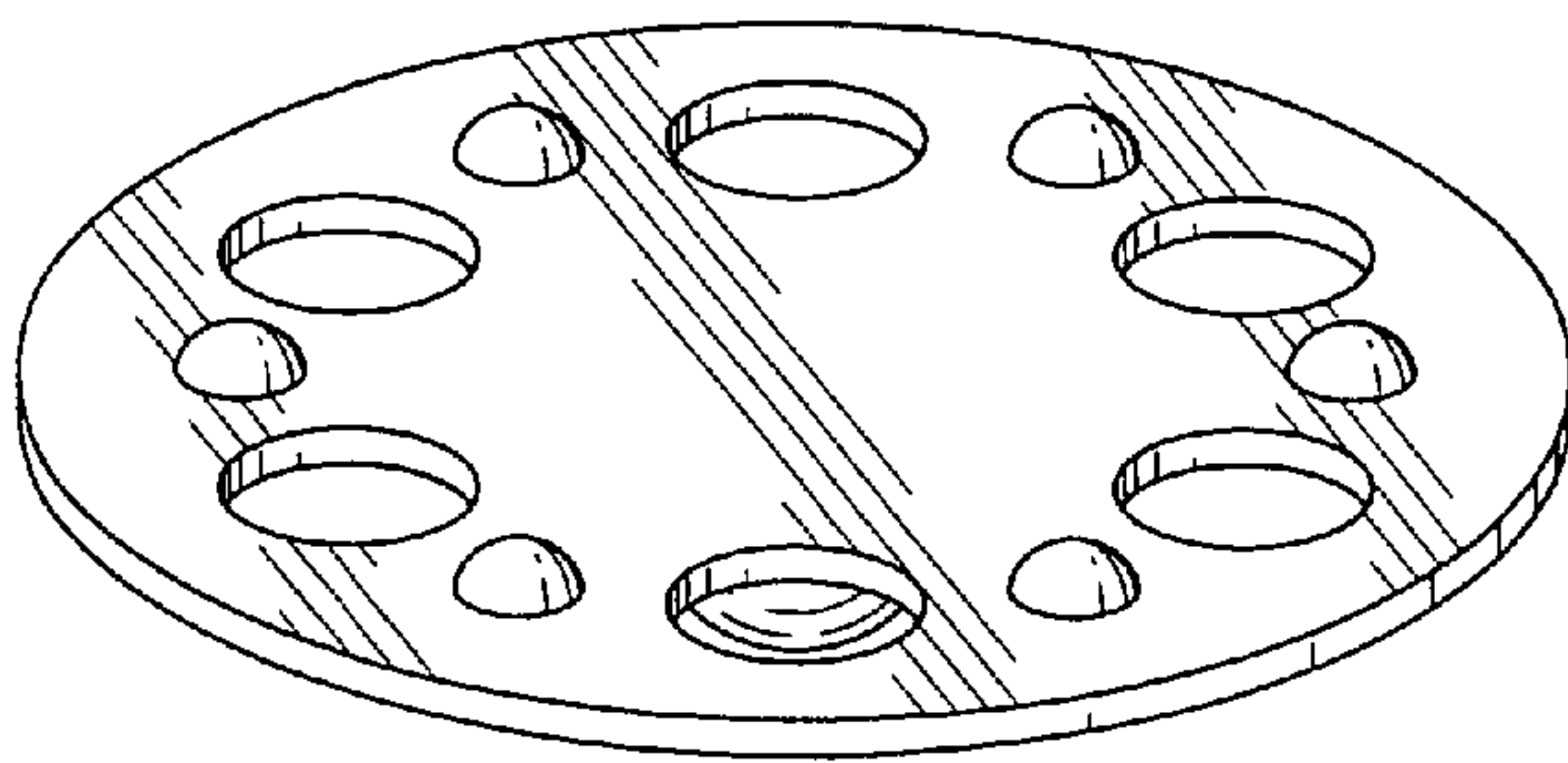


FIG. 6

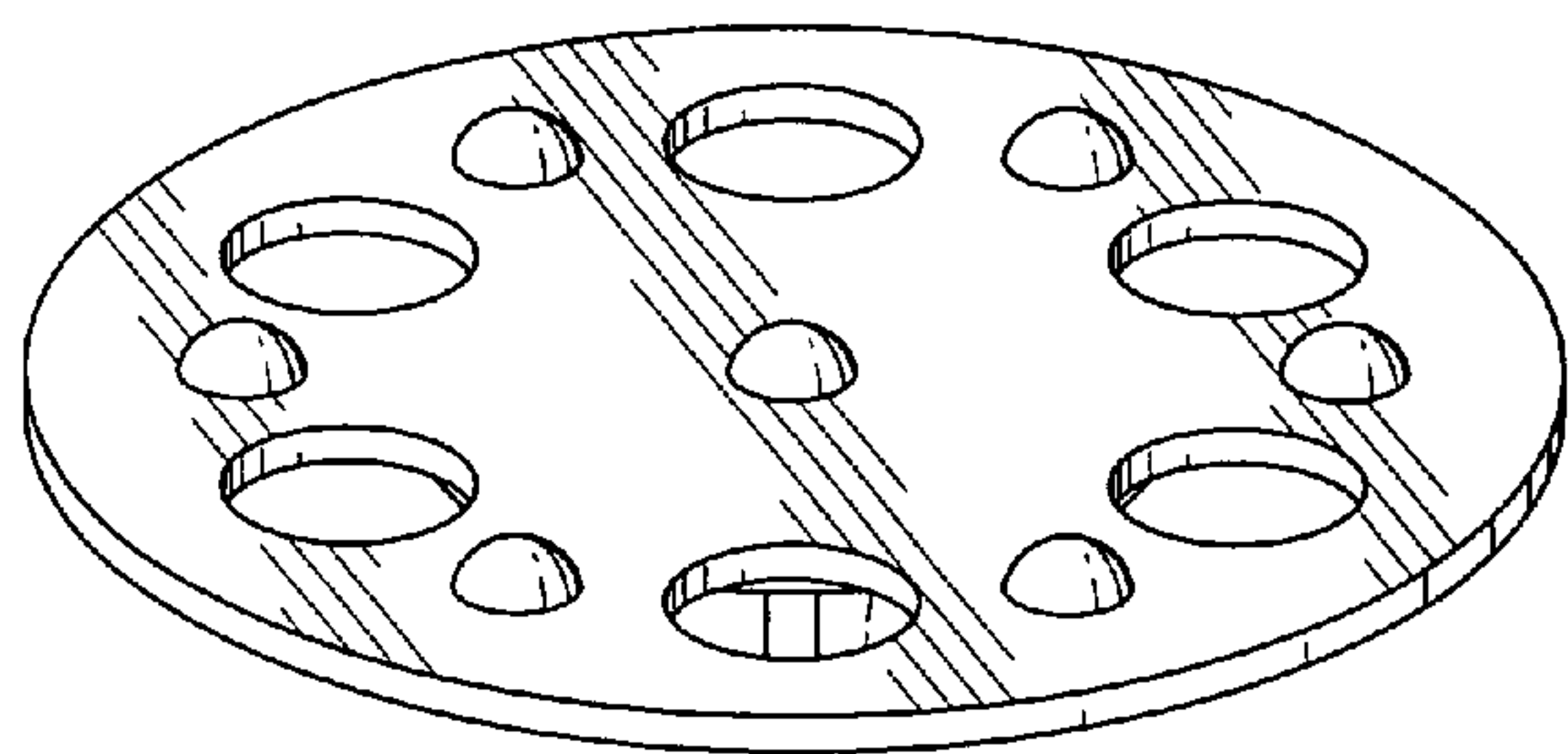


FIG. 7

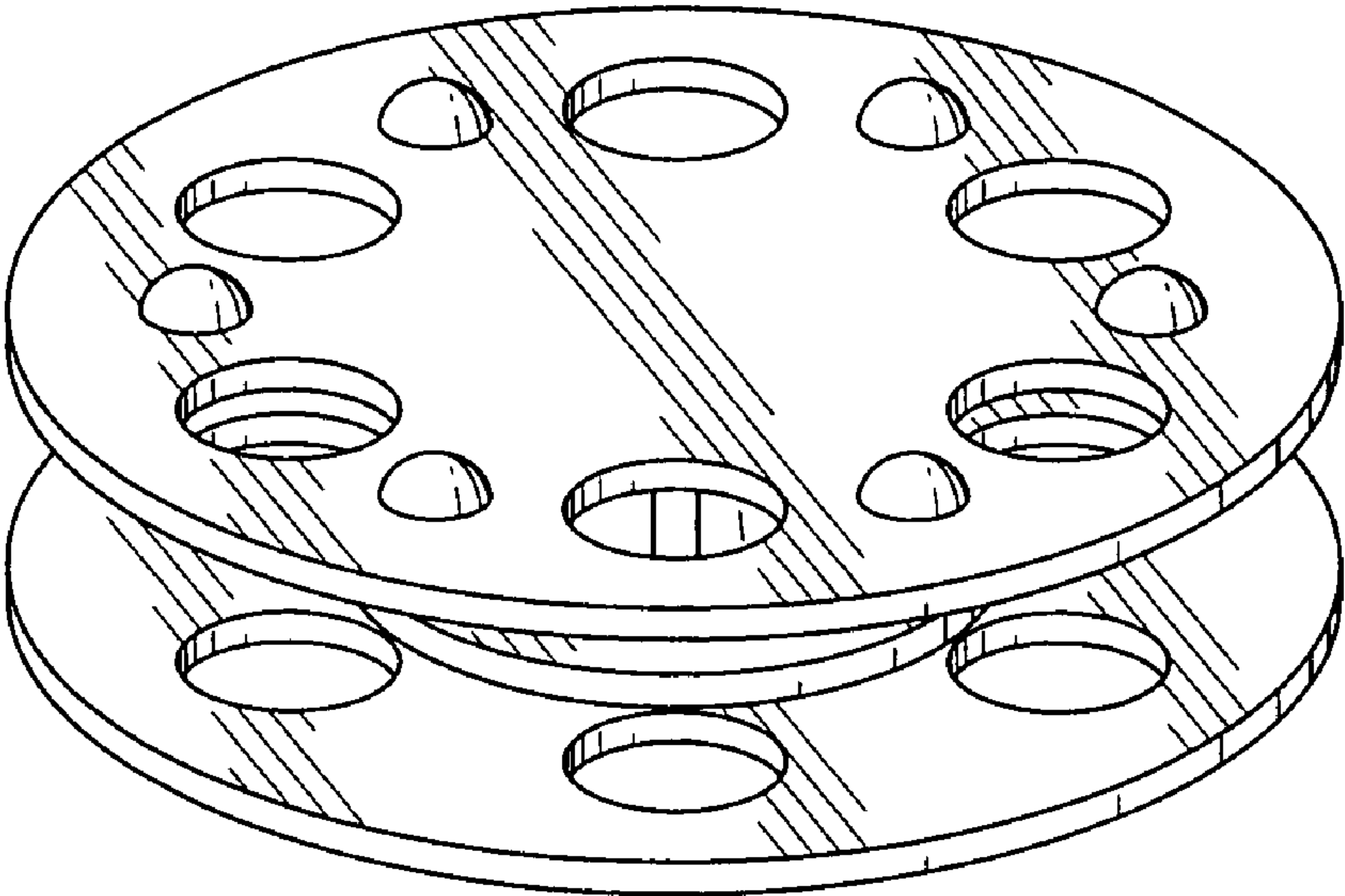


FIG. 8

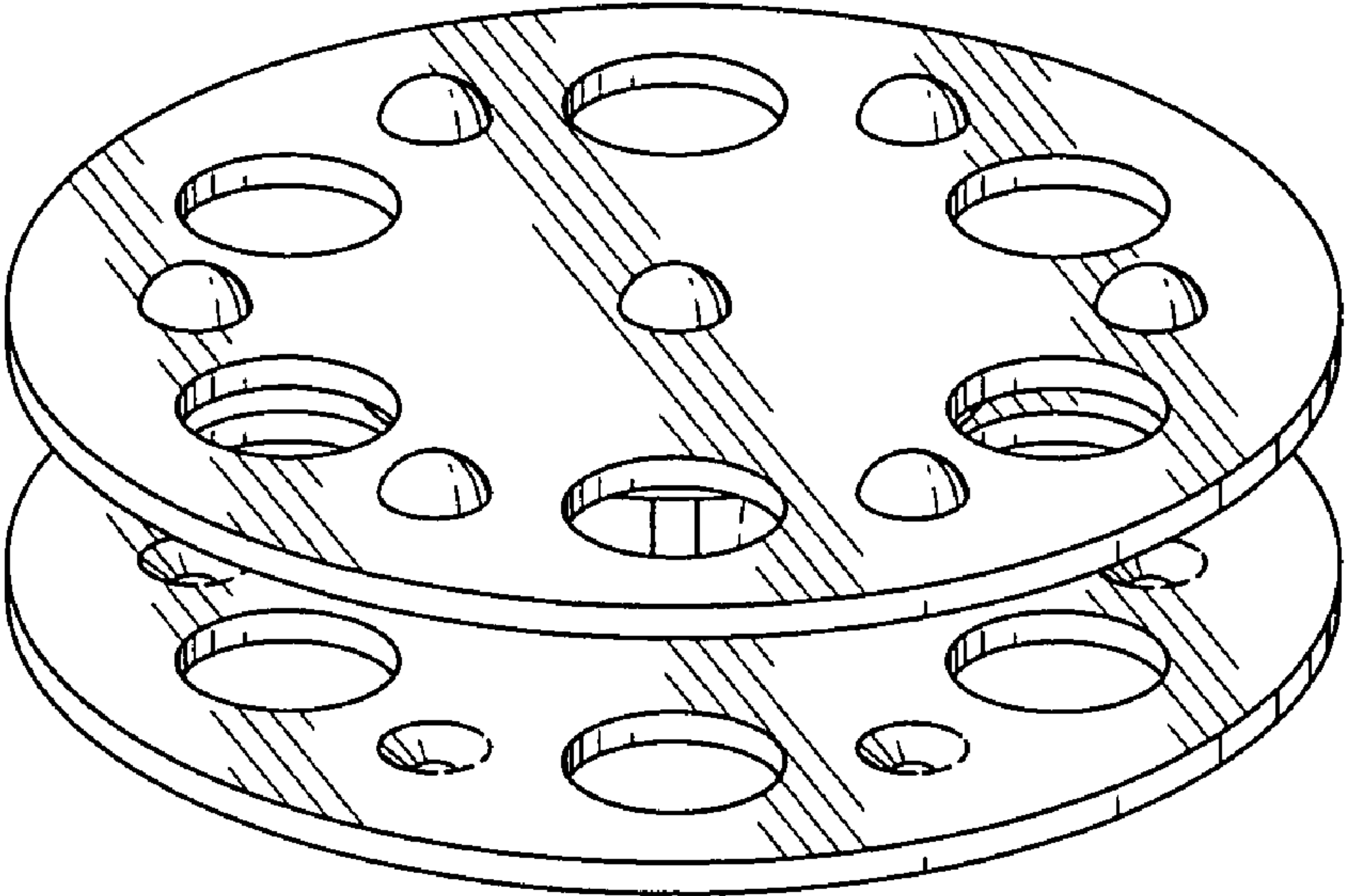


FIG. 9