



US00D586204S

(12) **United States Design Patent**
Robbins, III et al.

(10) **Patent No.:** **US D586,204 S**
(45) **Date of Patent:** **** Feb. 10, 2009**

- (54) **FENCE BRACKET**
- (75) Inventors: **Edward S. Robbins, III**, 2802 Avalon Ave., Muscle Shoals, AL (US) 35661;
Jason T. Reiff, N. Mankato, MN (US);
Harry L. Raney, Florence, AL (US);
John C. Saylor, Florence, AL (US)
- (73) Assignee: **Edward S. Robbins, III**, Muscle Shoals, AL (US)
- (**) Term: **14 Years**
- (21) Appl. No.: **29/298,697**
- (22) Filed: **Dec. 11, 2007**

Related U.S. Application Data

- (62) Division of application No. 29/266,980, filed on Oct. 2, 2006, now Pat. No. Des. 566,526.
 - (51) **LOC (9) Cl.** **08-05**
 - (52) **U.S. Cl.** **D8/380**
 - (58) **Field of Classification Search** D8/394,
D8/382, 380, 363, 354, 373, 371, 349; D3/220;
D13/147, 137.4, 137.3, 137.2, 199; D11/220;
256/65.01-65.08, 58, 52, 49, 47; 248/909,
248/73, 68.1, 200
- See application file for complete search history.

References Cited

U.S. PATENT DOCUMENTS

1,657,939 A	1/1928	Rockwell	
D130,744 S *	12/1941	Krasemann	D8/380
D207,067 S	2/1967	Griffin	D54/1
D208,580 S *	9/1967	Margulis	D8/373
3,669,413 A	6/1972	Laible	256/10
D244,748 S *	6/1977	Canterbury	D8/380
D263,788 S	4/1982	McKinnon et al.	D8/394
D266,223 S	9/1982	Swartz	D8/373
4,465,263 A	8/1984	Robbins, Jr.	256/52
D285,647 S	9/1986	Sachs	D8/356
4,684,107 A	8/1987	Robbins, Jr.	256/19
4,688,769 A	8/1987	Smrt	256/65
4,709,887 A	12/1987	Bongiovanni et al.	248/66
RE32,707 E	7/1988	Robbins, Jr.	256/52
4,860,996 A	8/1989	Robbins, III	256/10
4,881,721 A	11/1989	Manley	256/52

5,100,109 A	3/1992	Robbins, III	256/59
5,189,766 A	3/1993	Weber	24/459
D347,533 S *	6/1994	Lambert	D6/491
D368,648 S	4/1996	Losier	D8/356
5,547,322 A	8/1996	Lilja et al.	411/60
5,615,850 A	4/1997	Cloninger	248/68.1
5,660,505 A	8/1997	Emory, III	405/258
D383,966 S *	9/1997	Zaccagni	D8/354
D399,486 S	10/1998	Deans	D13/120
6,039,307 A	3/2000	De Zen	256/19
6,152,429 A	11/2000	Pettigrew	256/42
6,533,881 B1	3/2003	Wall	156/160
D481,654 S	11/2003	Matsui et al.	D11/220
D495,972 S	9/2004	Pettingill	D11/220
D507,959 S	8/2005	Mottini	D8/354
D520,322 S *	5/2006	Orlando	D8/354
D536,957 S *	2/2007	Reiff	D8/394
D556,130 S *	11/2007	Tajima et al.	D13/119
D561,563 S *	2/2008	Hoffner	D8/354

* cited by examiner

Primary Examiner—Susan B Hattan
(74) *Attorney, Agent, or Firm*—Brinks Hofer Gilson & Lione

(57) **CLAIM**

We claim the ornamental design for a fence bracket, as shown and described.

DESCRIPTION

FIG. 1 is a front elevation view of a fence bracket of the present invention.

FIG. 2 is an elevation view of the opposite side of the fence bracket shown in FIG. 1.

FIG. 3 is an elevation view from the right side of FIG. 1.

FIG. 4 is an elevation view from the left side of FIG. 1.

FIG. 5 is an elevation view from the top of FIG. 1.

FIG. 6 is an elevation view from the bottom FIG. 1; and,

FIG. 7 is a perspective view from the bottom right of FIG. 1.

The broken lines in the drawings form no part of the claimed design.

1 Claim, 3 Drawing Sheets



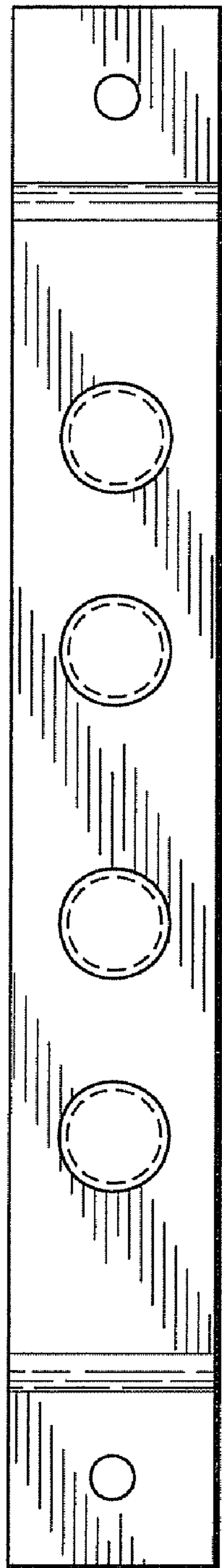


Fig. 1

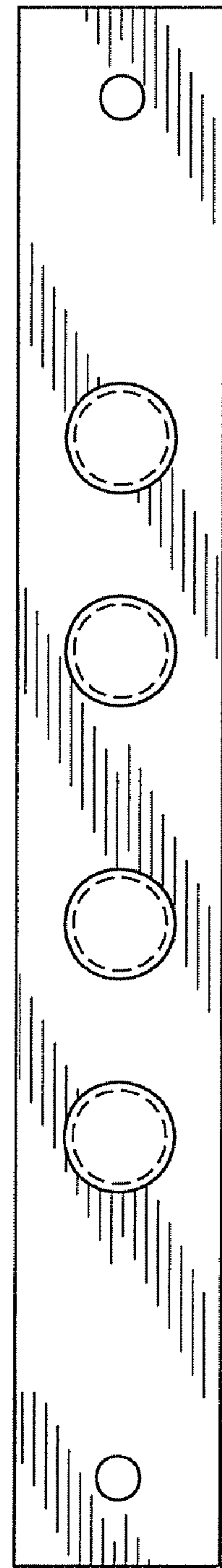


Fig. 2



Fig. 3

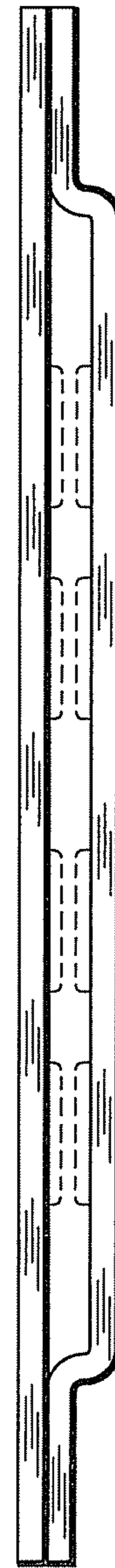


Fig. 4

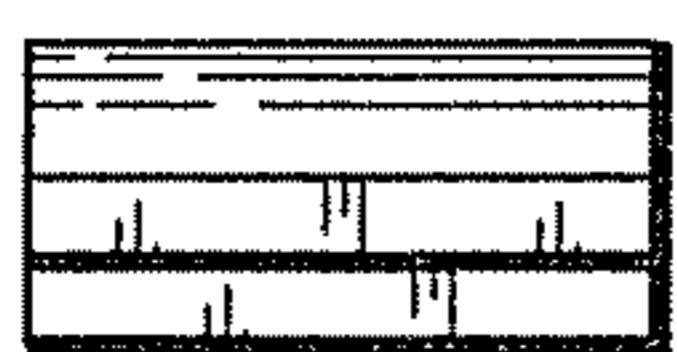


Fig. 5

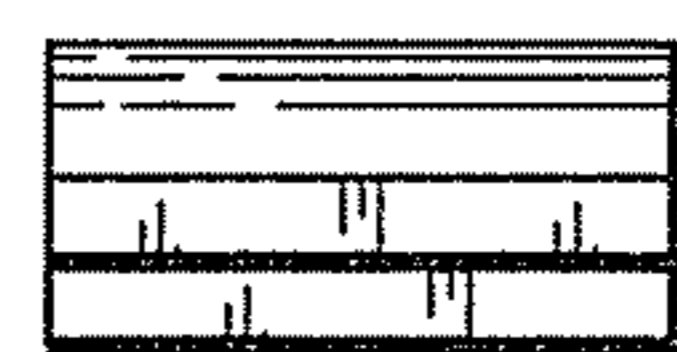


Fig. 6

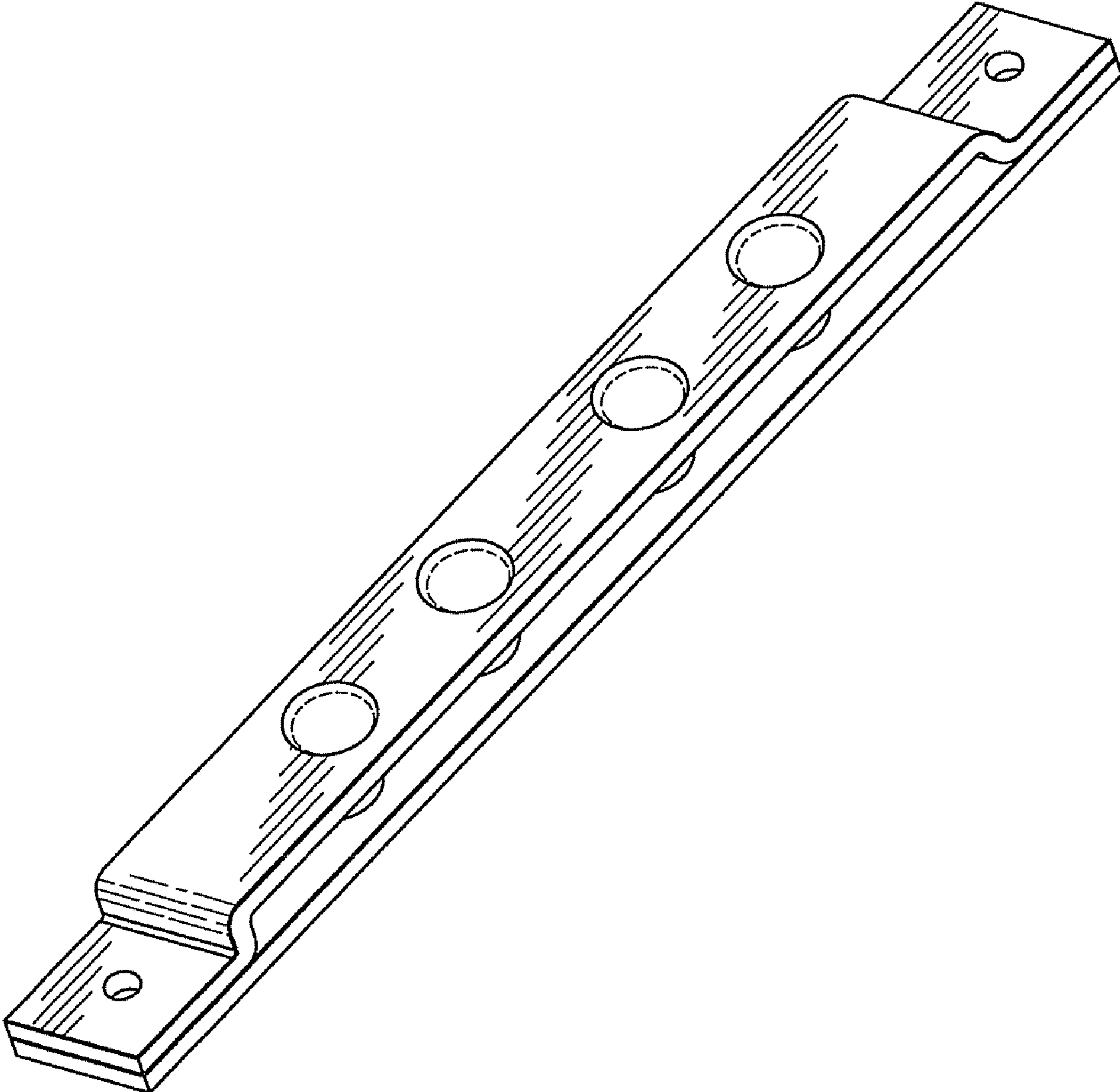


Fig. 7