



US00D586203S

(12) **United States Design Patent**
Zhang

(10) **Patent No.:** **US D586,203 S**

(45) **Date of Patent:** **** Feb. 10, 2009**

(54) **PIPE REEL RACK**

(76) Inventor: **Ling-Hong Zhang**, 105, Chenggong 3rd
St., Guiren Shiang, Tainan County (TW)

(**) Term: **14 Years**

(21) Appl. No.: **29/297,559**

(22) Filed: **Nov. 14, 2007**

(51) **LOC (9) Cl.** **08-05**

(52) **U.S. Cl.** **D8/359**

(58) **Field of Classification Search** D8/381,
D8/380, 373, 363, 359, 358, 354, 350, 349;
D34/17; D14/253; D13/154; D12/211;
D10/72; 33/769; 248/264, 251, 916; 242/608.8,
242/608.4, 601, 600, 570, 395, 370; 137/355.27,
137/355.23; 104/113

See application file for complete search history.

(56) **References Cited**

U.S. PATENT DOCUMENTS

- D147,372 S * 8/1947 Marsh D8/359
- D163,094 S * 5/1951 Conner D34/17
- D164,546 S * 9/1951 Becker D8/359
- 4,137,939 A * 2/1979 Chow 137/355.27
- D285,901 S * 9/1986 Gustavsson D8/358
- D288,496 S * 2/1987 Brownlie D34/17

- D308,608 S * 6/1990 Arnold D6/411
- D357,827 S * 5/1995 Schultz D6/462
- D494,843 S * 8/2004 Muller D8/358
- D496,255 S * 9/2004 Kovacic et al. D8/359
- 2006/0186255 A1 * 8/2006 Rooker 242/395

* cited by examiner

Primary Examiner—Susan B Hattan

(74) *Attorney, Agent, or Firm*—Alan Kamrath; Kamrath &
Associates PA

(57) **CLAIM**

The ornamental design for a pipe reel rack, as shown and described.

DESCRIPTION

FIG. 1 is a perspective view of a pipe reel rack showing my design;

FIG. 2 is a front elevational view thereof;

FIG. 3 is a rear elevational view thereof;

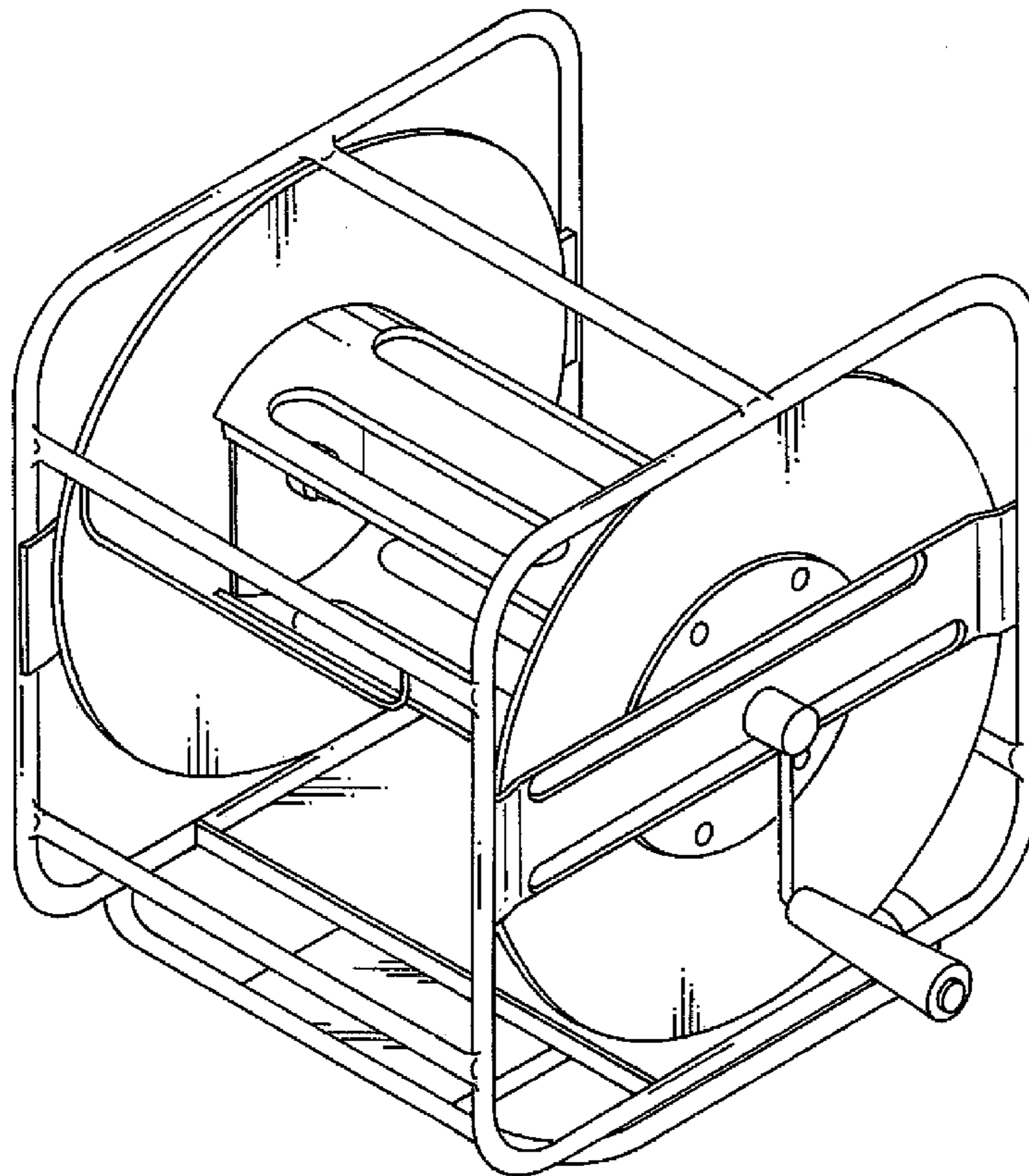
FIG. 4 is a left side elevational view thereof;

FIG. 5 is a right side elevational view thereof;

FIG. 6 is a top plan view thereof; and,

FIG. 7 is a bottom plan view thereof.

1 Claim, 4 Drawing Sheets



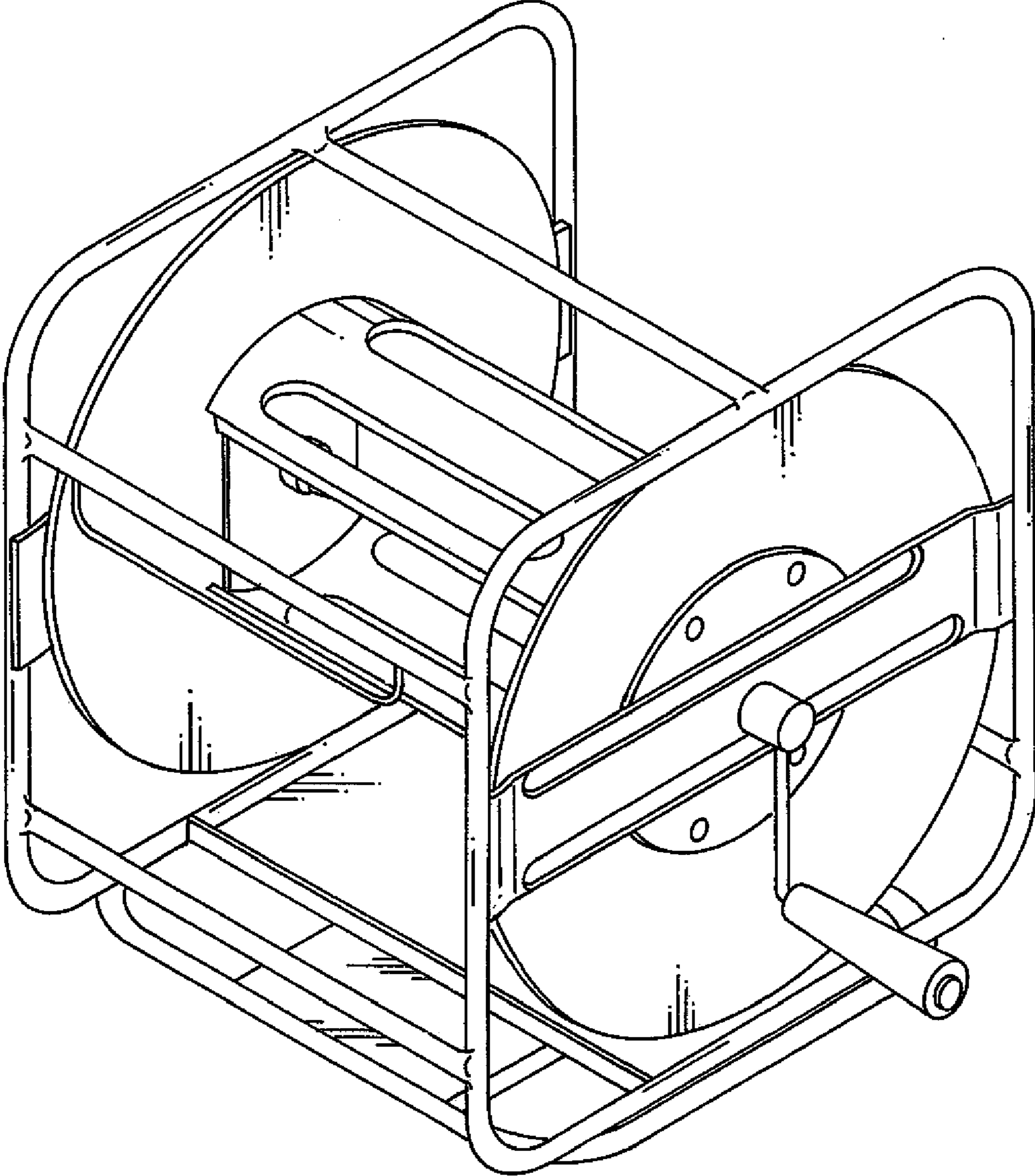


FIG.1

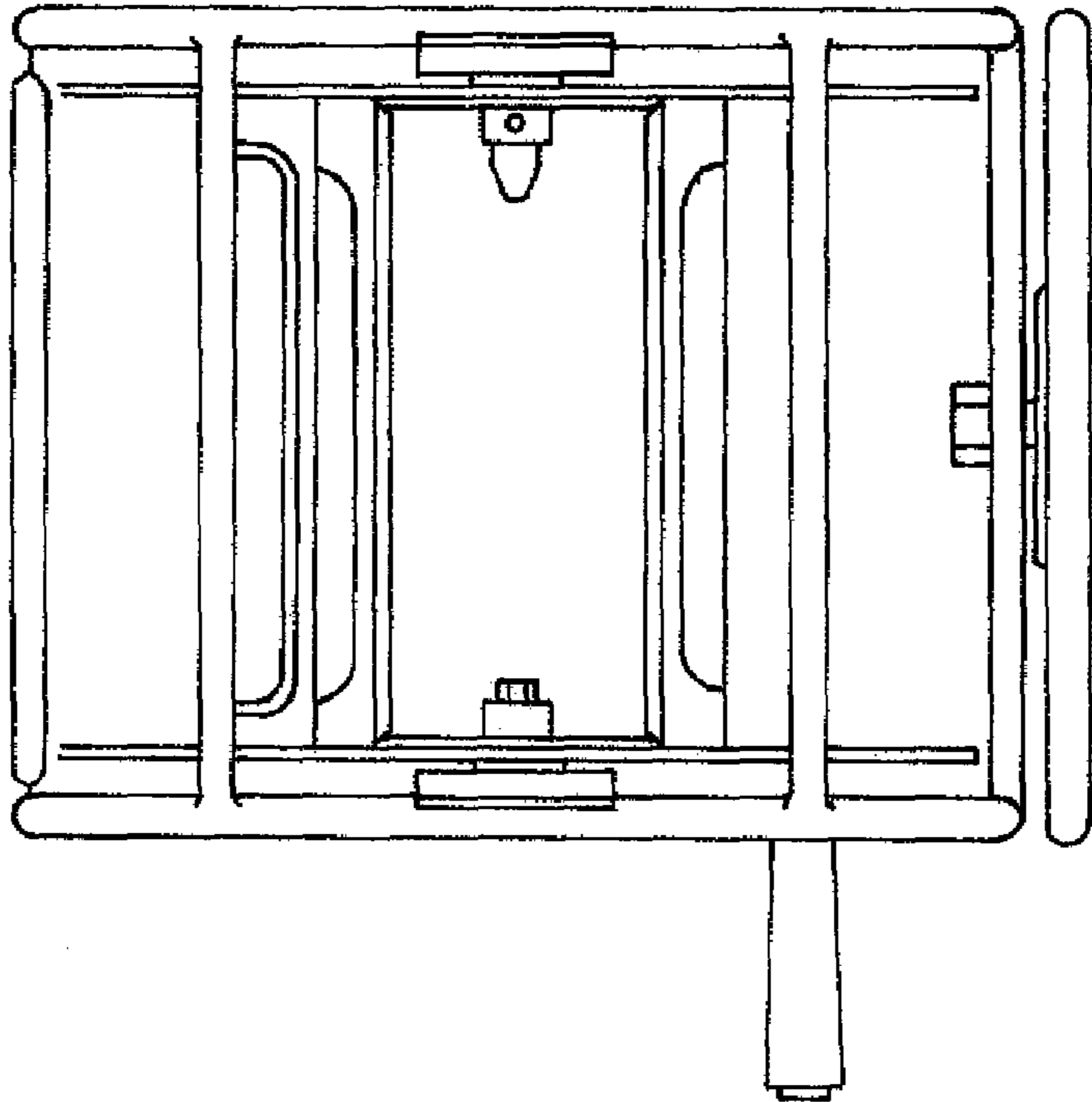


FIG.3

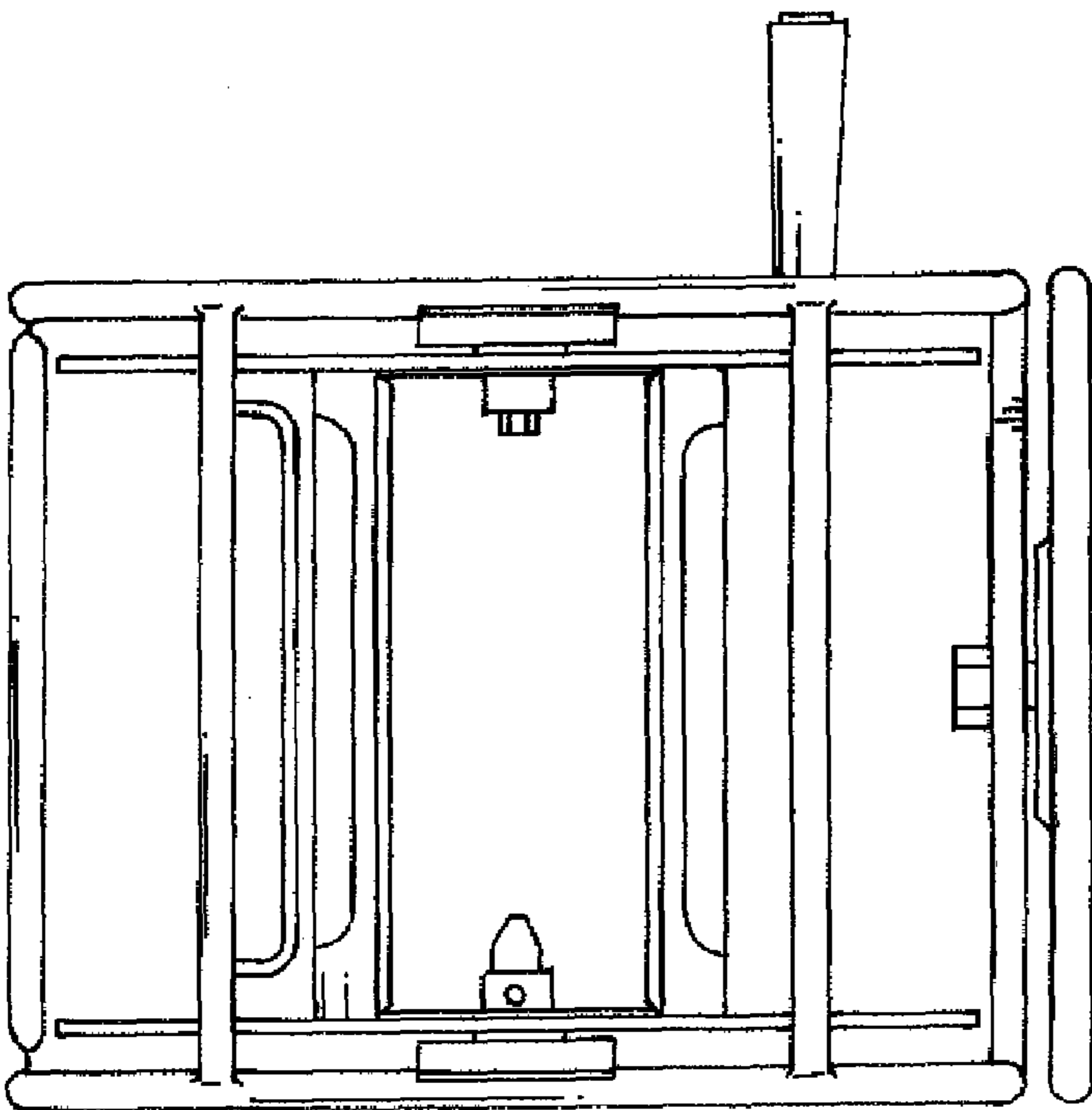


FIG.2

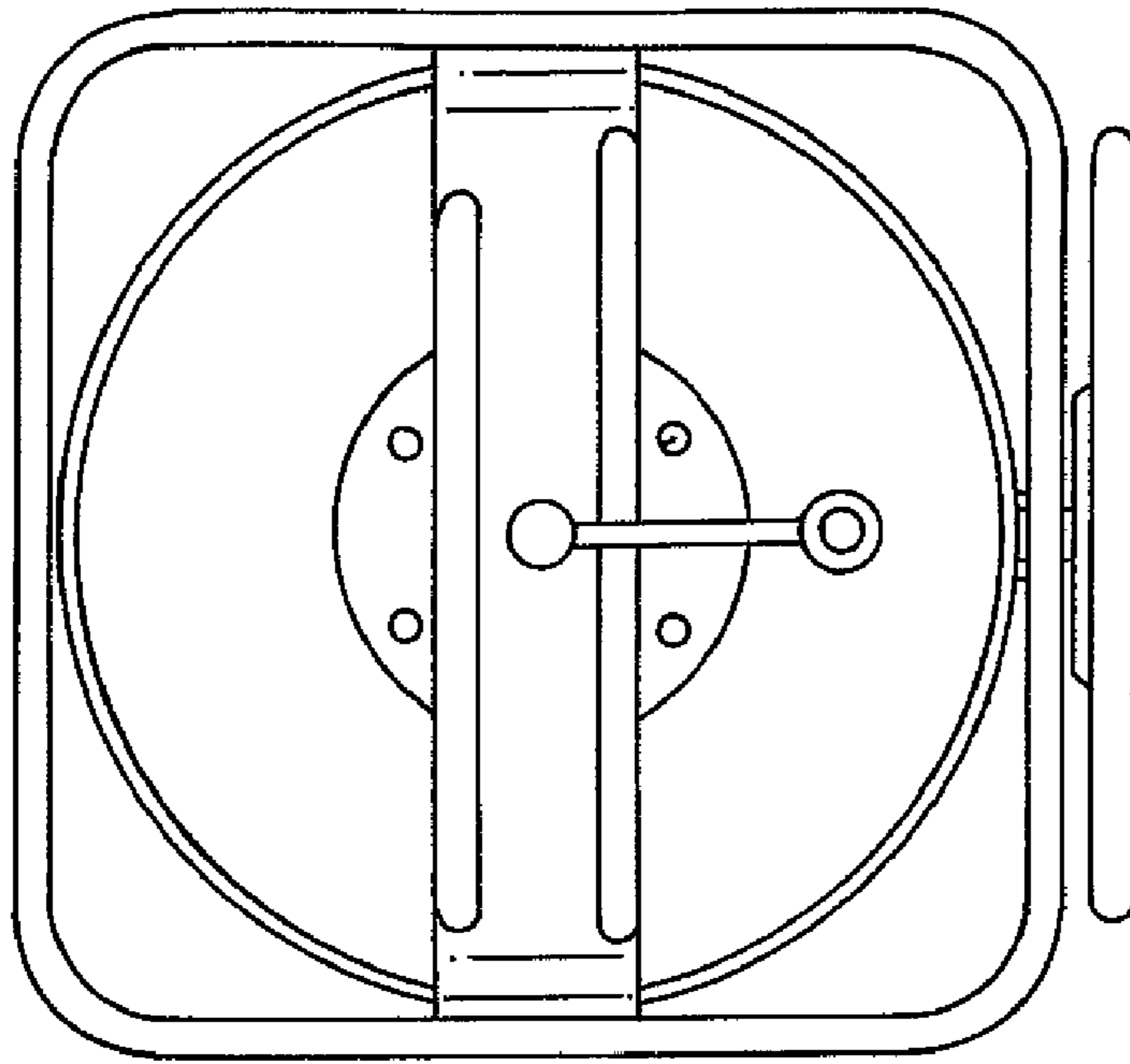


FIG. 5

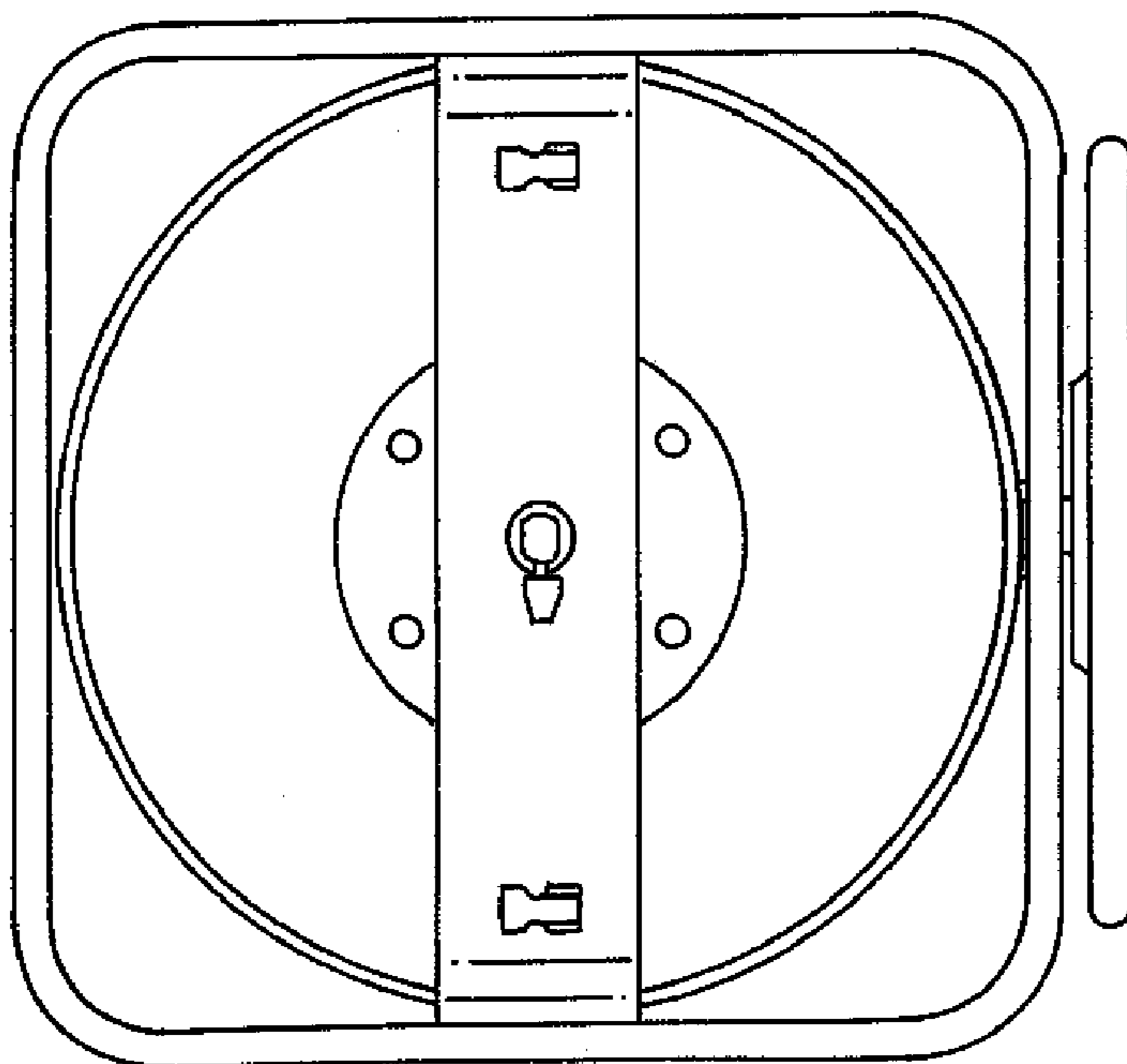


FIG. 4

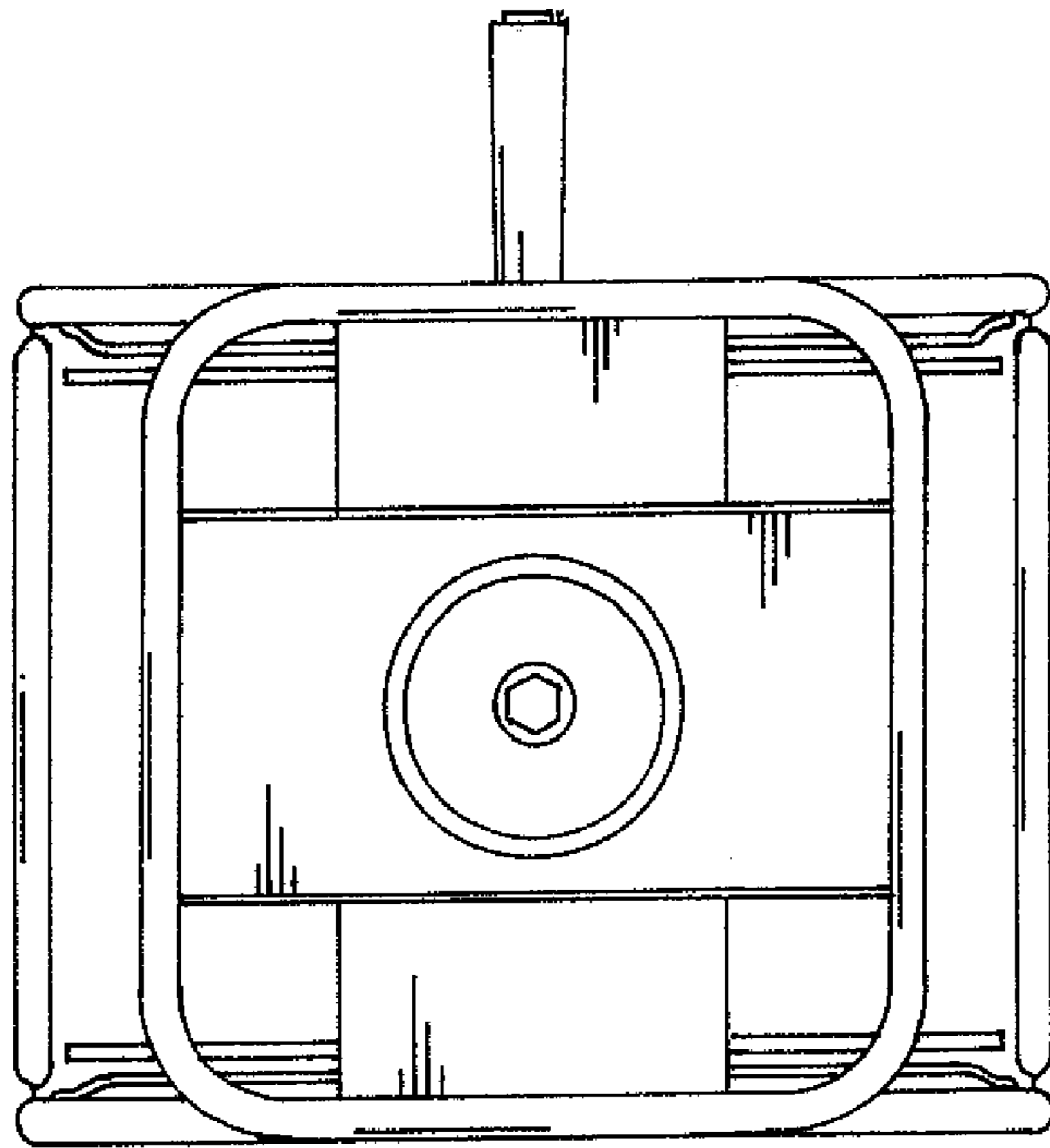


FIG. 7

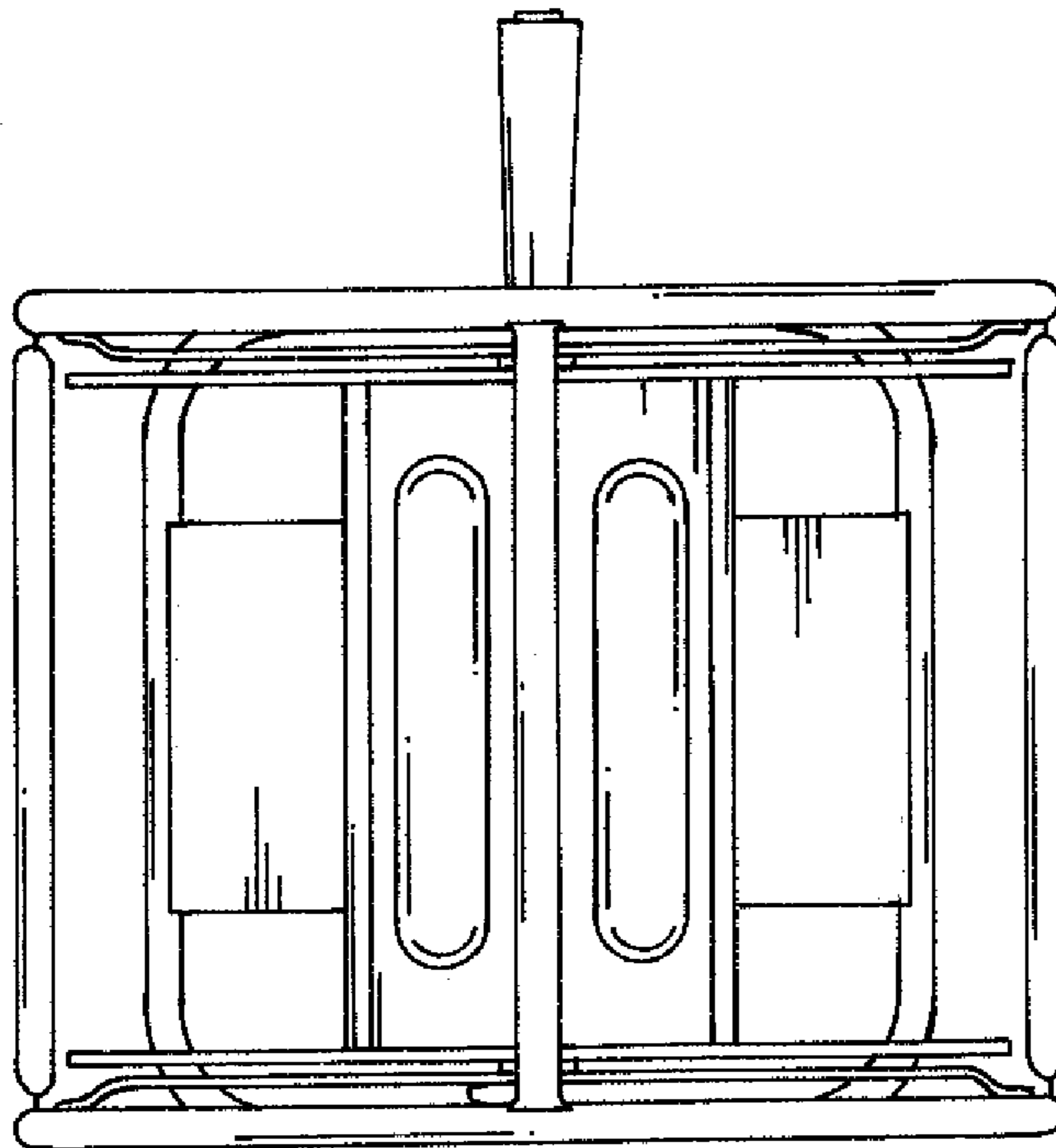


FIG. 6