



US00D586202S

(12) **United States Design Patent**  
**Zhang**

(10) **Patent No.:** **US D586,202 S**

(45) **Date of Patent:** **\*\* Feb. 10, 2009**

(54) **PIPE REEL RACK**

(76) **Inventor:** **Ling-Hong Zhang**, 105, Chenggong 3<sup>rd</sup> St., Guiren Shiang, Tainan County (TW)

(\*\*) **Term:** **14 Years**

(21) **Appl. No.:** **29/297,558**

(22) **Filed:** **Nov. 14, 2007**

(51) **LOC (9) Cl.** ..... **08-05**

(52) **U.S. Cl.** ..... **D8/359**

(58) **Field of Classification Search** ..... D8/381,  
D8/380, 373, 363, 359, 358, 354, 350, 349;  
D34/17; D14/253; D13/154; D12/211;  
D10/72; 33/769; 248/264, 251, 916; 242/608.8,  
242/608.4, 601, 600, 570, 395, 370; 137/355.27,  
137/355.23; 104/113

See application file for complete search history.

(56) **References Cited**

**U.S. PATENT DOCUMENTS**

- D147,372 S \* 8/1947 Marsh ..... D8/359
- D163,094 S \* 5/1951 Connor ..... D34/17
- D164,546 S \* 9/1951 Becker ..... D8/359
- 4,137,939 A \* 2/1979 Chow ..... 137/355.27
- D285,901 S \* 9/1986 Gustavsson ..... D8/358
- D288,496 S \* 2/1987 Brownlie ..... D34/17

- D308,608 S \* 6/1990 Arnold ..... D6/411
- D357,827 S \* 5/1995 Schultz ..... D6/462
- D494,843 S \* 8/2004 Muller ..... D8/358
- D496,255 S \* 9/2004 Kovacic et al. .... D8/359
- 2006/0186255 A1 \* 8/2006 Rooker ..... 242/395

\* cited by examiner

*Primary Examiner*—Susan B Hattan

(74) *Attorney, Agent, or Firm*—Alan Kamrath; Kamrath & Associates PA

(57) **CLAIM**

The ornamental design for a pipe reel rack, as shown and described.

**DESCRIPTION**

FIG. 1 is a perspective view of a pipe reel rack showing my design;

FIG. 2 is a front elevational view thereof;

FIG. 3 is a rear elevational view thereof;

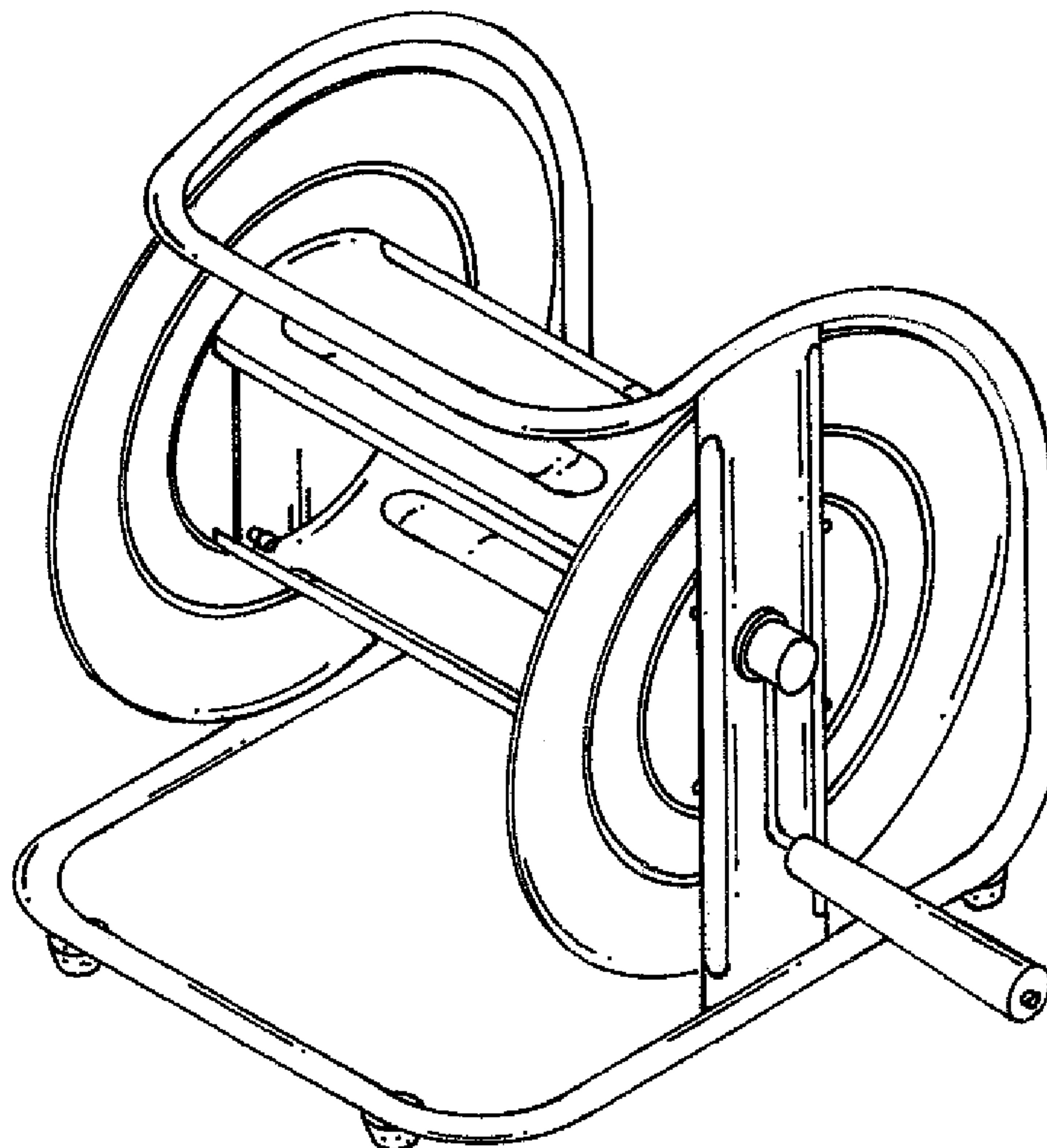
FIG. 4 is a left side elevational view thereof;

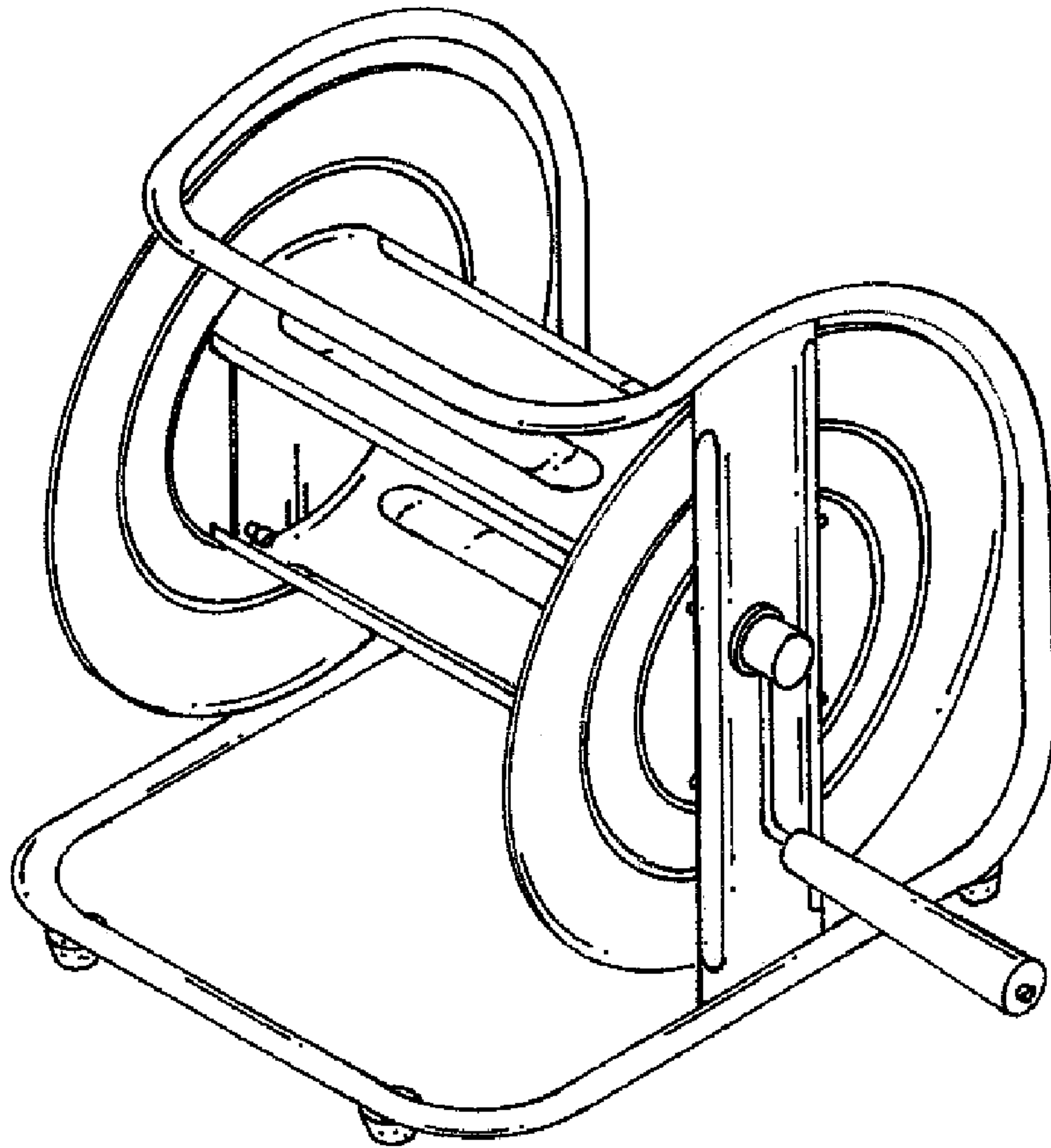
FIG. 5 is a right side elevational view thereof;

FIG. 6 is a top plan view thereof; and,

FIG. 7 is a bottom plan view thereof.

**1 Claim, 4 Drawing Sheets**





**FIG.1**

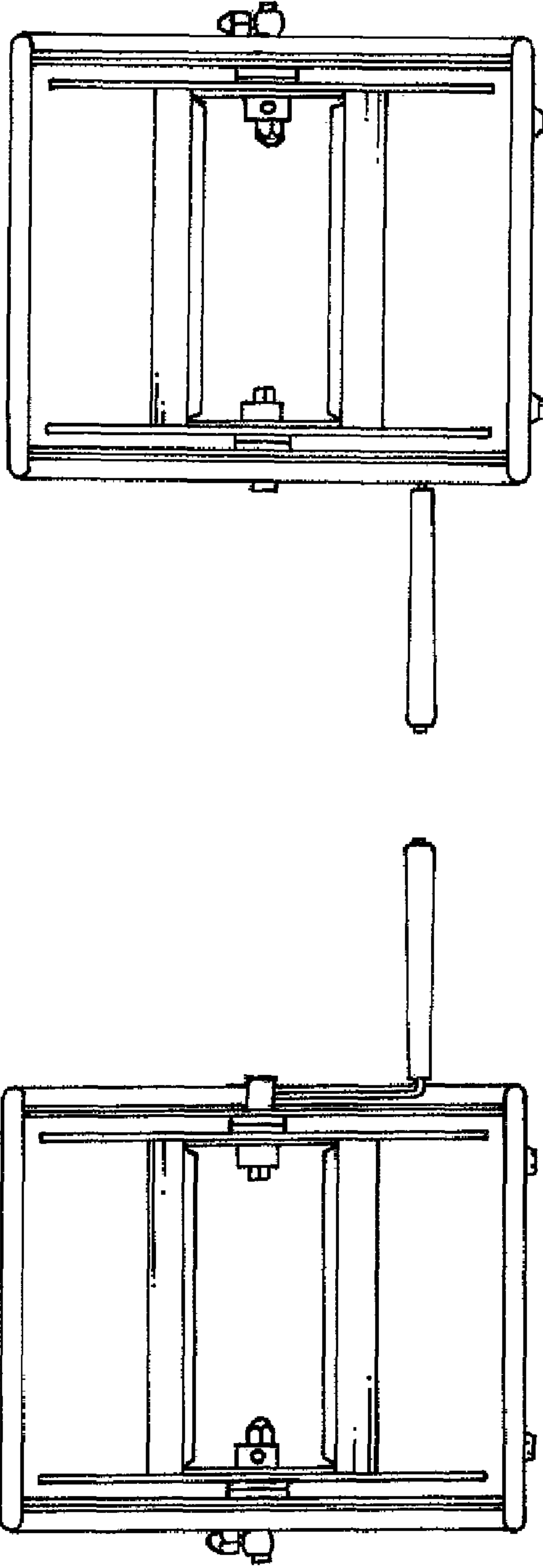
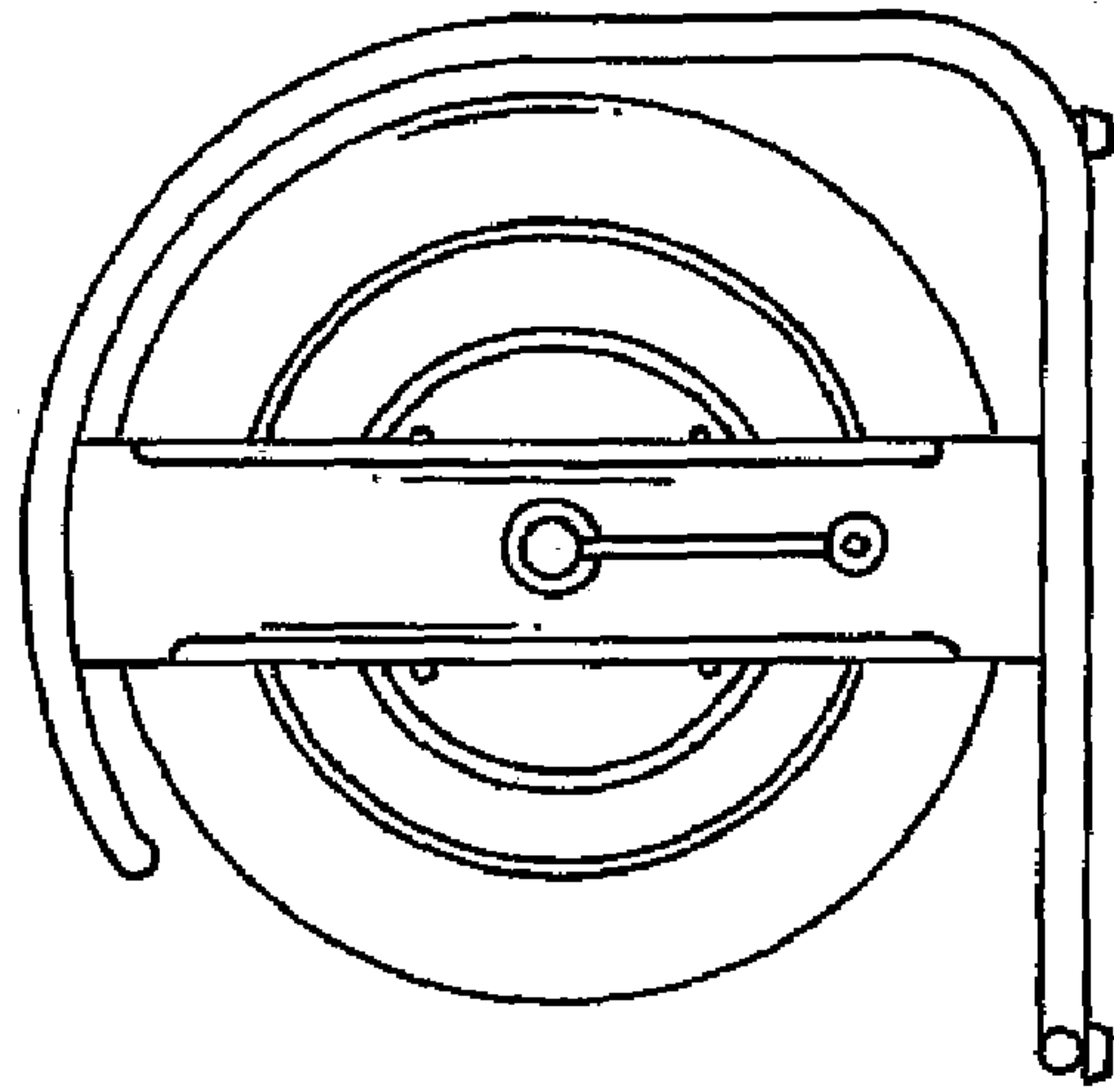
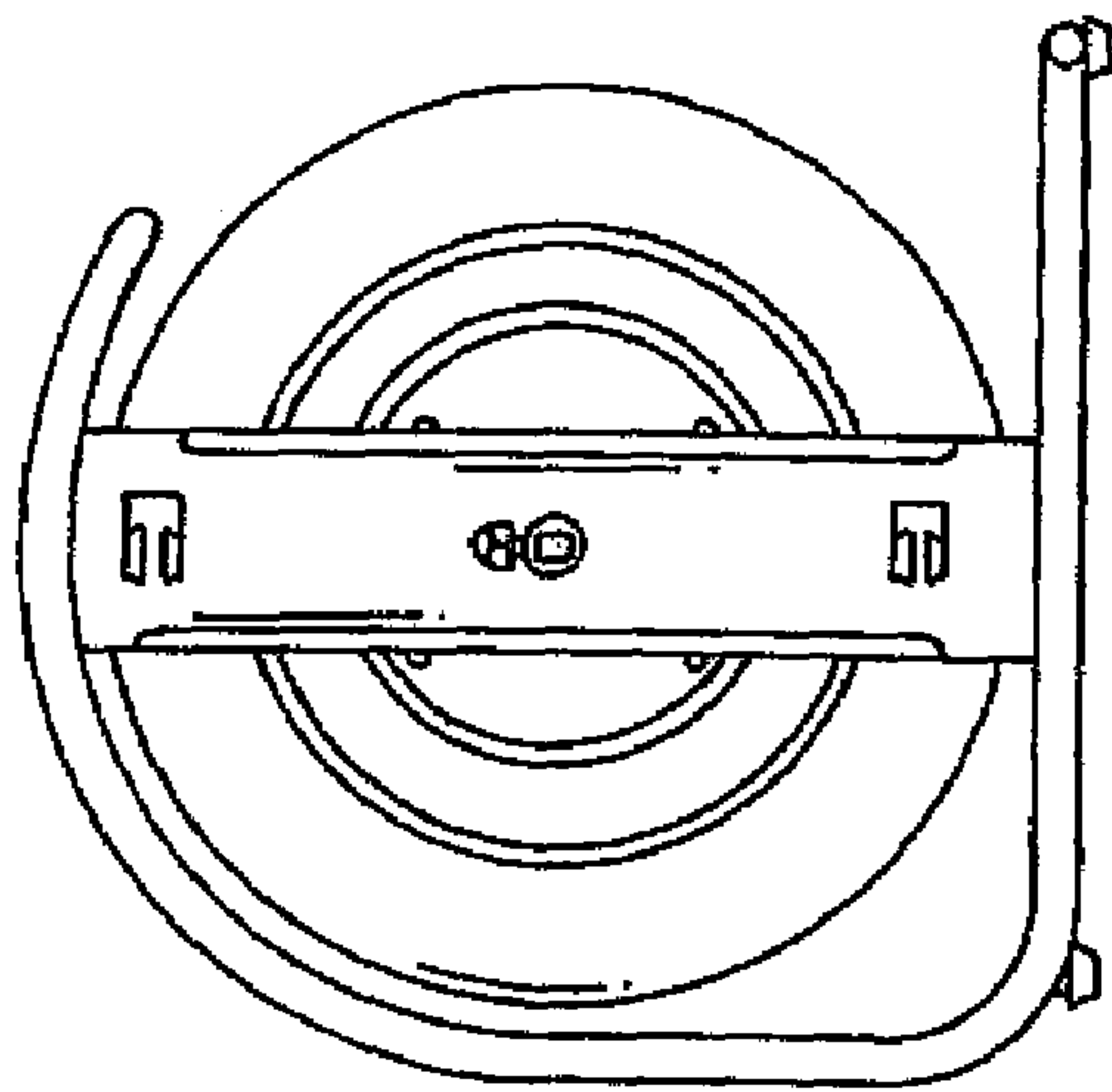


FIG.3

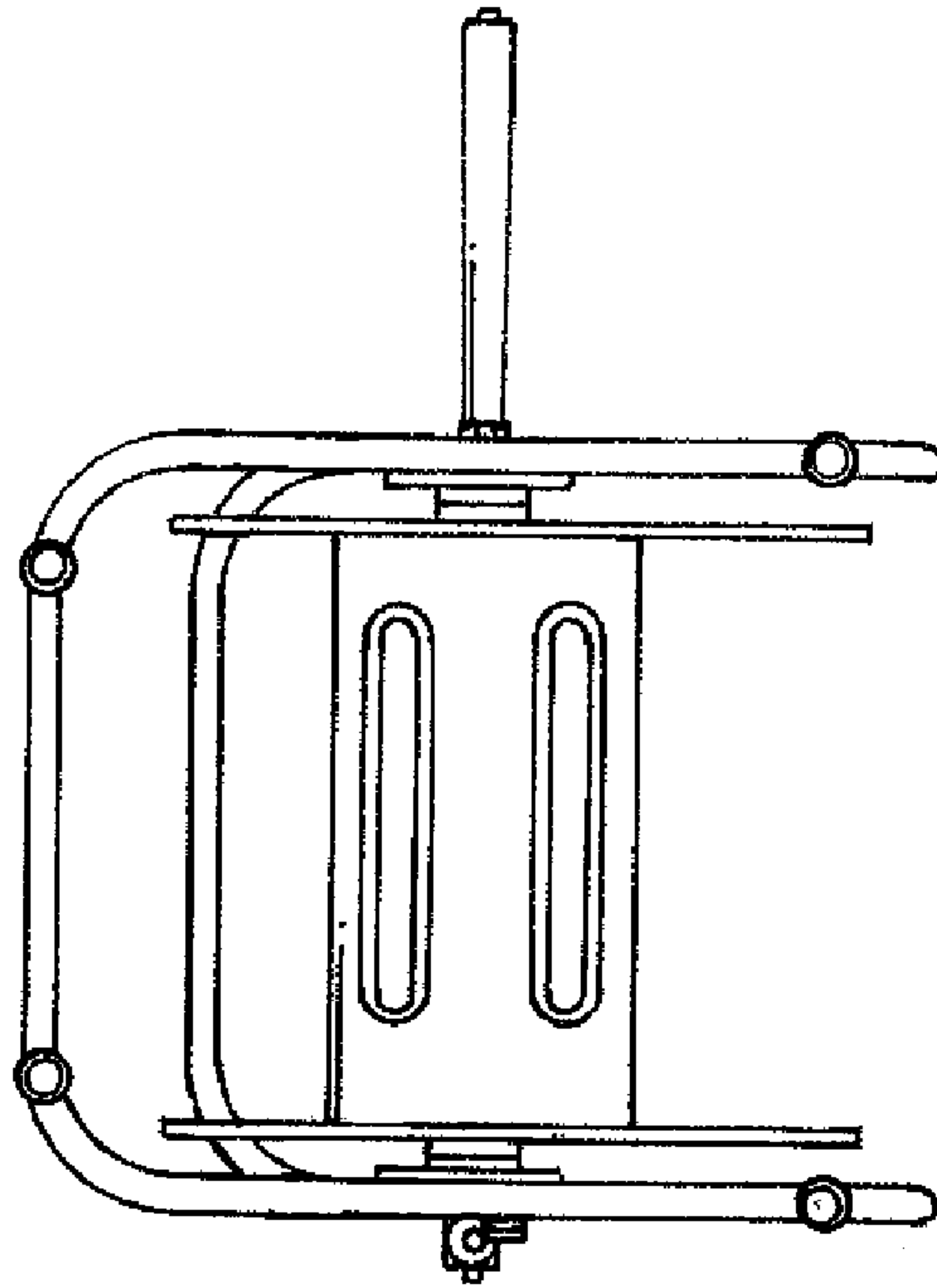
FIG.2



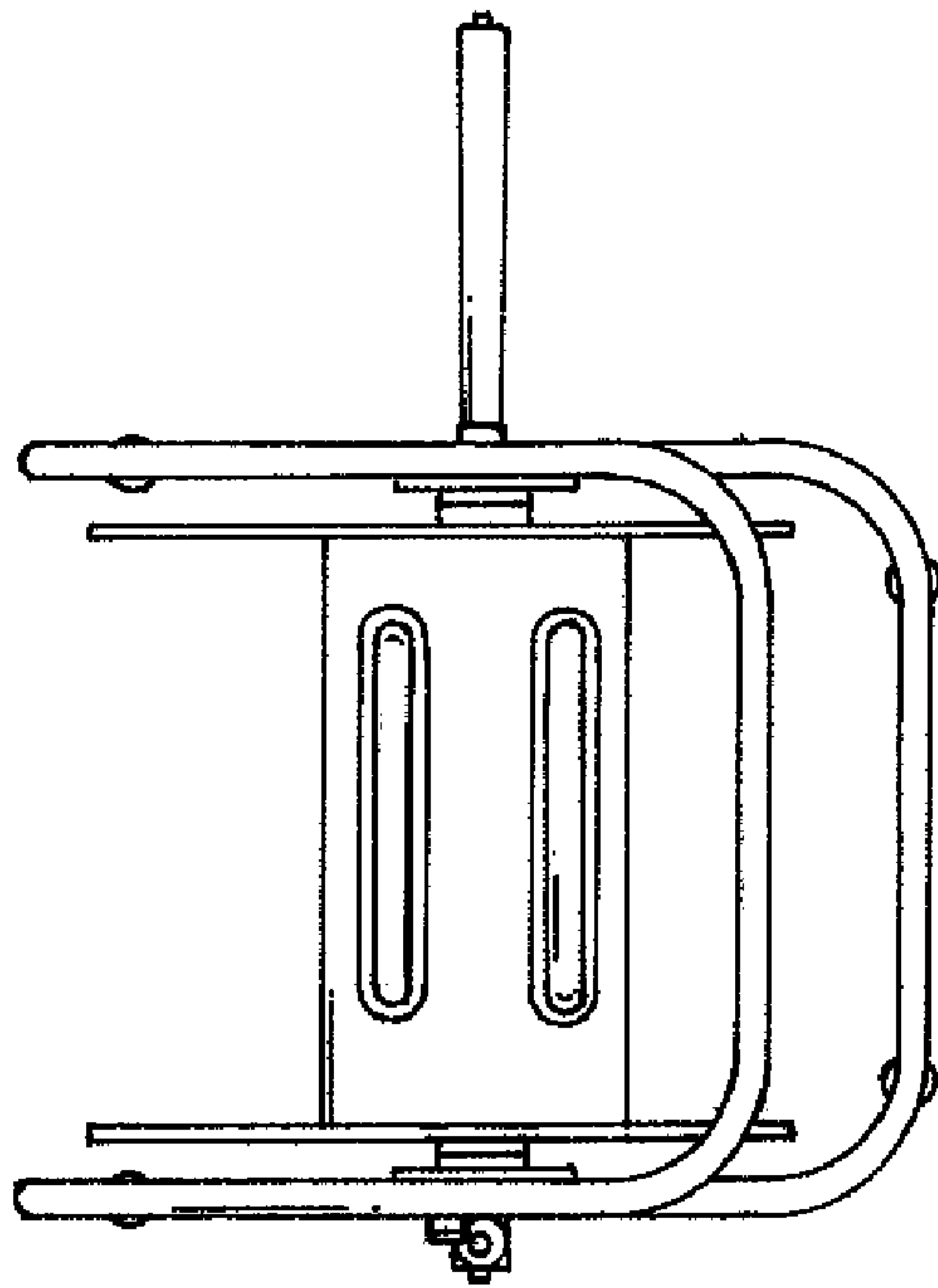
**FIG. 5**



**FIG. 4**



**FIG. 7**



**FIG. 6**