



US00D586201S

(12) **United States Design Patent**  
**Day**

(10) **Patent No.:** **US D586,201 S**

(45) **Date of Patent:** **\*\* Feb. 10, 2009**

(54) **TRUCK BED TOOL TIE DOWN ANCHOR**

5,971,683 A \* 10/1999 Hunt ..... 410/106  
6,969,219 B2 \* 11/2005 Speece et al. .... 410/106

(76) Inventor: **Jonathan W. Day**, 521 W. 400 S., Orem,  
UT (US) 84058

\* cited by examiner

(\*\*) Term: **14 Years**

*Primary Examiner*—Holly H Baynham

(21) Appl. No.: **29/260,211**

(74) *Attorney, Agent, or Firm*—Raymond M. Galasso;  
Galasso & Associates, L.P.

(22) Filed: **May 22, 2006**

(57) **CLAIM**

(51) **LOC (9) Cl.** ..... **08-05**

The ornamental design for a truck bed tool tie down anchor, as shown and described.

(52) **U.S. Cl.** ..... **D8/354**

(58) **Field of Classification Search** ..... D8/354;  
410/105-106, 110

**DESCRIPTION**

See application file for complete search history.

FIG. 1 is a perspective view depicting the truck bed tool tie down anchor with the broken line showing of an element being for illustrative purposes and forming no part of the claimed design; and,

(56) **References Cited**

U.S. PATENT DOCUMENTS

FIG. 2 is a reduced scale side view thereof, the automobile pictured is for illustrative purposes only, and forms no part of the claimed design disclosed herein.

- 4,522,326 A 6/1985 Tuohy, III
- 5,326,203 A \* 7/1994 Cockrell ..... 410/110
- D352,496 S 11/1994 Gower
- 5,464,264 A 11/1995 Wilson
- D408,267 S \* 4/1999 Egigian et al. .... D8/354

**1 Claim, 2 Drawing Sheets**

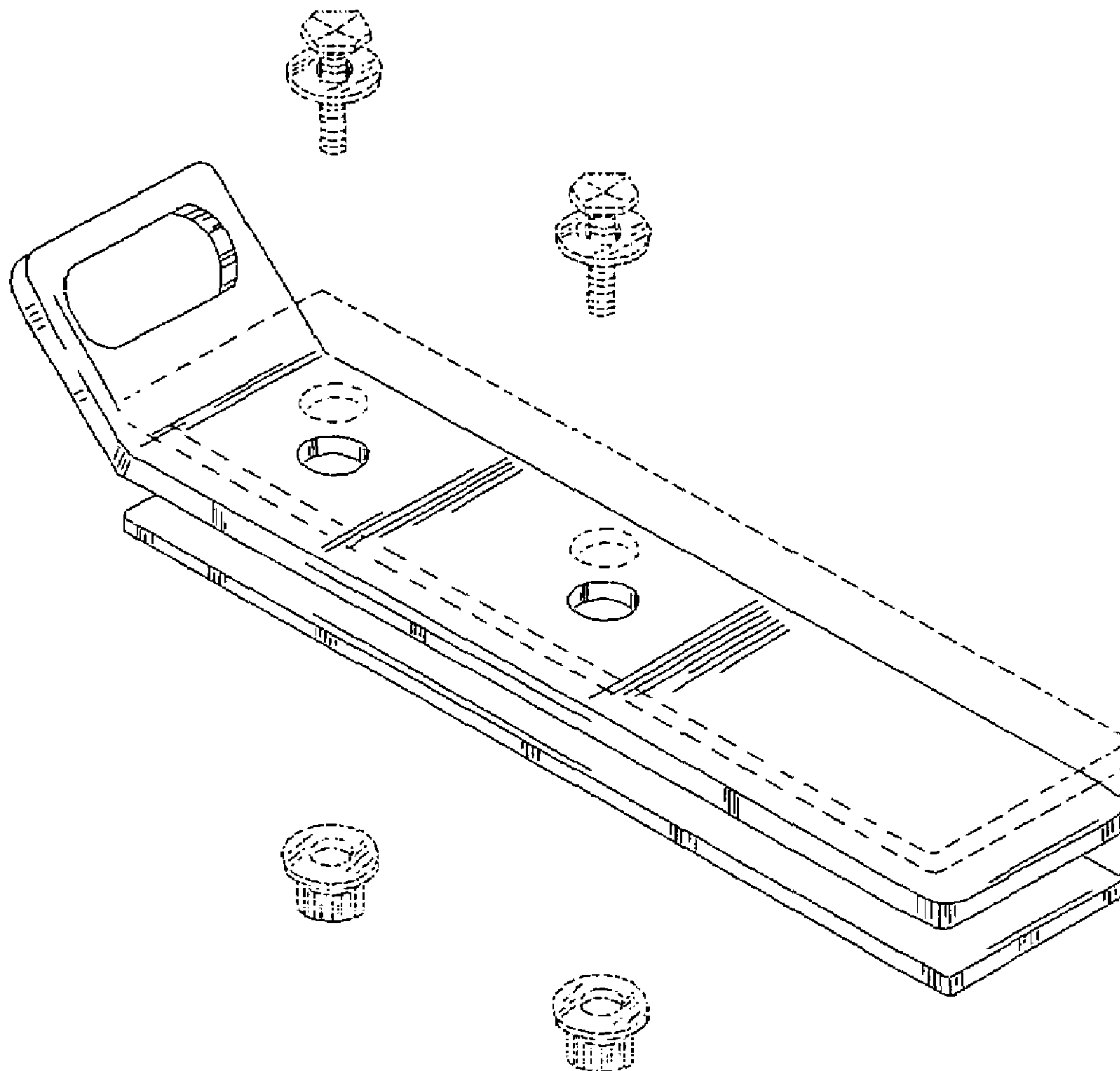
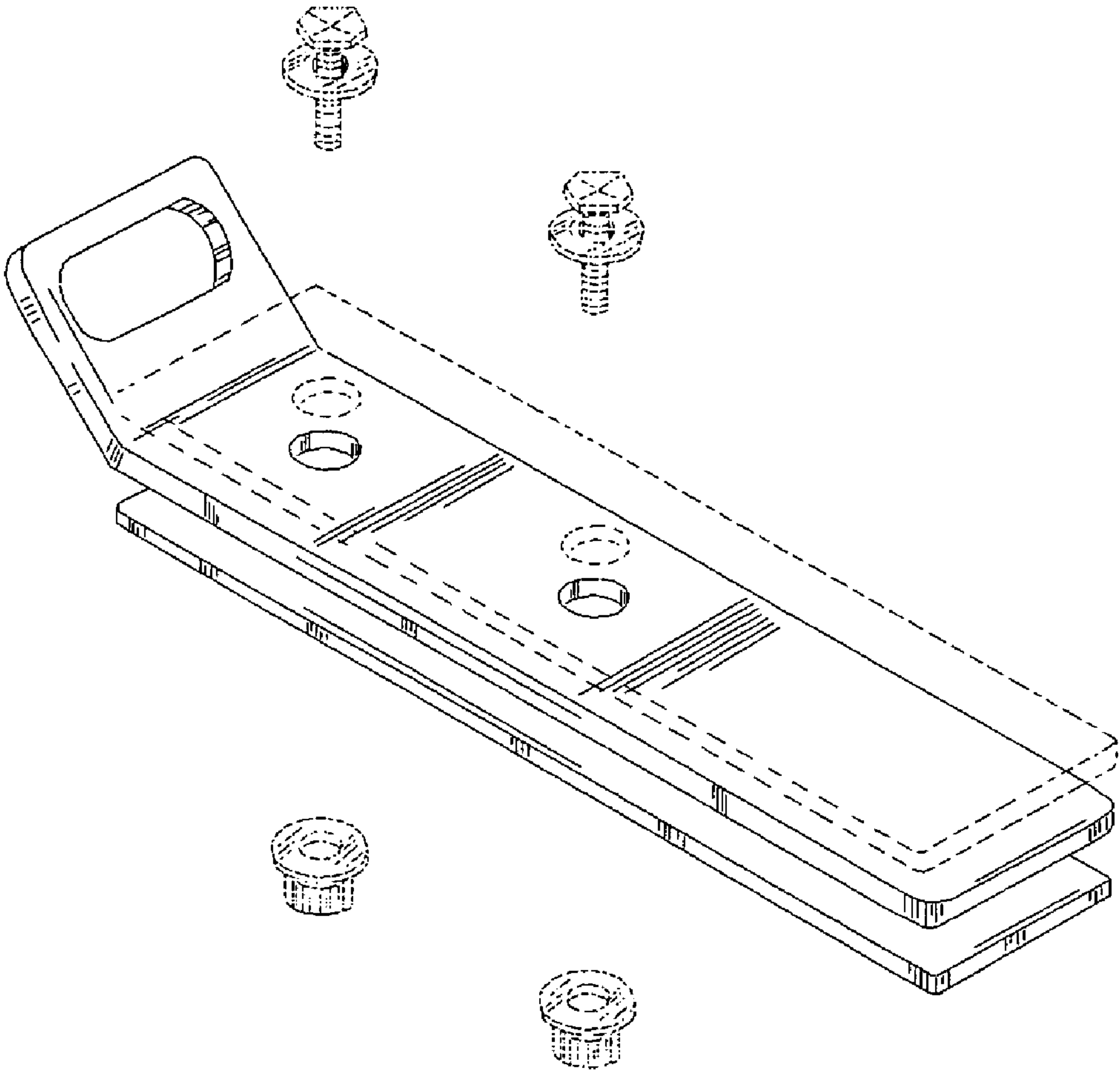


FIG. 1



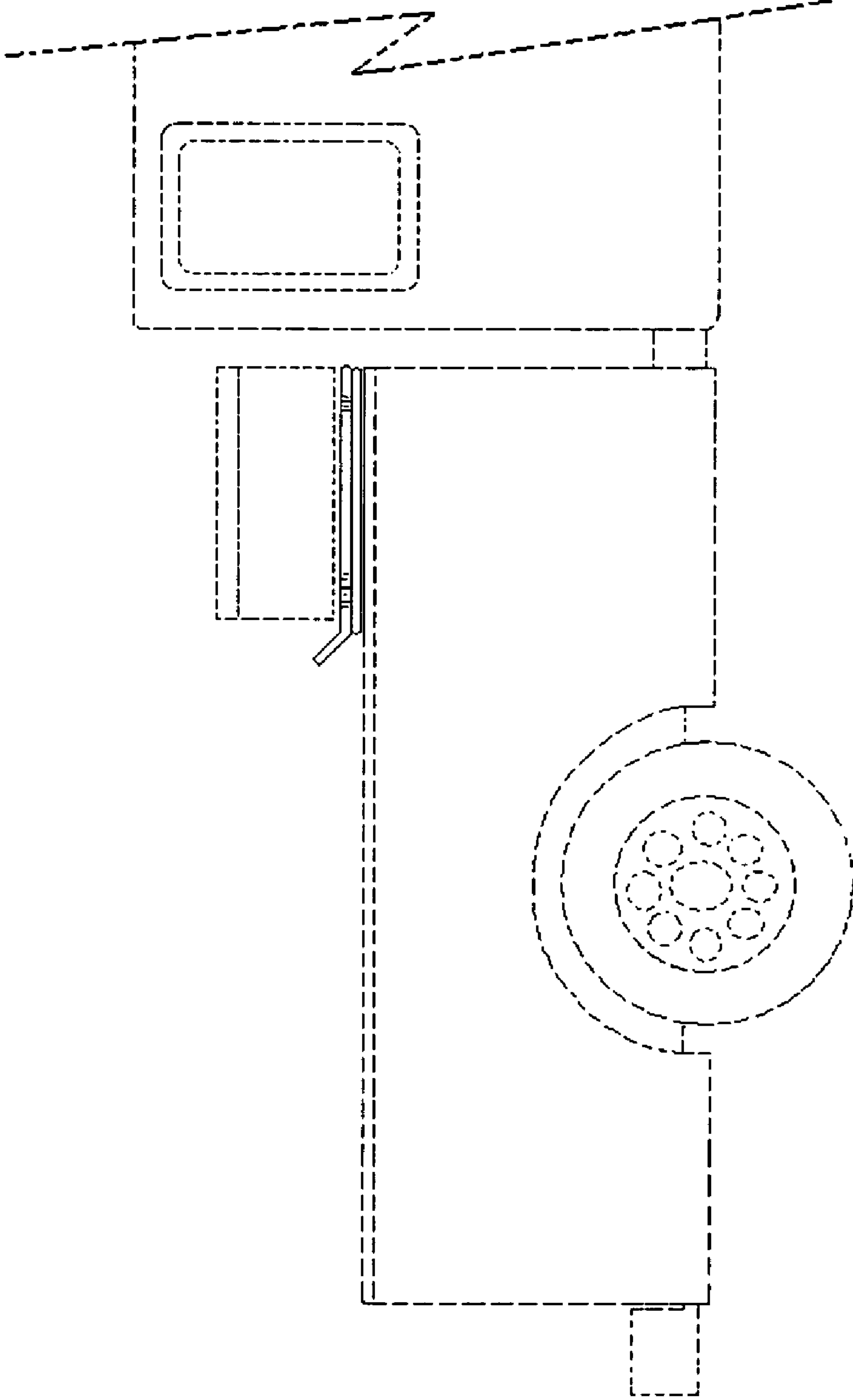


FIG. 2