



US00D586200S

(12) **United States Design Patent**
Dewitt

(10) **Patent No.:** **US D586,200 S**
(45) **Date of Patent:** **** Feb. 10, 2009**

(54) **DECORATIVE SPLIT HINGE FOR SECTIONAL GARAGE DOORS**

(75) Inventor: **Steven P. Dewitt**, Tacoma, WA (US)

(73) Assignee: **Northwest Door, Inc.**, Tacoma, WA (US)

(**) Term: **14 Years**

(21) Appl. No.: **29/268,755**

(22) Filed: **Nov. 10, 2006**

(51) **LOC (9) Cl.** **08-06**

(52) **U.S. Cl.** **D8/323; D8/328**

(58) **Field of Classification Search** D8/323-329, D8/350, 400; D25/48-50; 160/113, 115, 160/118, 201-209, 229.1; 52/3; 16/263, 16/288, 298

See application file for complete search history.

(56) **References Cited**

U.S. PATENT DOCUMENTS

D174,176 S *	3/1955	Grodt	D8/327
D226,164 S *	1/1973	James	D8/327
D280,552 S *	9/1985	Collins	D25/48
D292,551 S *	11/1987	Thomson	D8/327
2003/0221803 A1 *	12/2003	Forsland	160/229.1

* cited by examiner

Primary Examiner—Holly H Baynham
Assistant Examiner—Cynthia M Chin
(74) *Attorney, Agent, or Firm*—Graybeal Jackson LLP

(57) **CLAIM**

The ornamental design for a decorative split hinge for sectional garage doors, as shown and described.

DESCRIPTION

FIG. 1 is a front perspective view of a plurality of decorative split hinges according to the invention mounted to a three section garage door, which is shown in phantom;

FIG. 2 is a perspective view of a single split hinge according to the invention;

FIG. 3 is a front elevation view of the single split hinge shown in FIG. 2;

FIG. 4 is a right side elevation view of the single split hinge shown in FIG. 2;

FIG. 5 is a left side elevation view of the single split hinge shown in FIG. 2;

FIG. 6 is a top plan view of the single split hinge shown in FIG. 2; and,

FIG. 7 is a bottom plan view of the decorative split hinge for sectional garage doors shown in FIG. 2.

The broken lines depicting garage door sections, and the various components thereof, represent environmental elements only, and form no part of the claimed design.

1 Claim, 2 Drawing Sheets

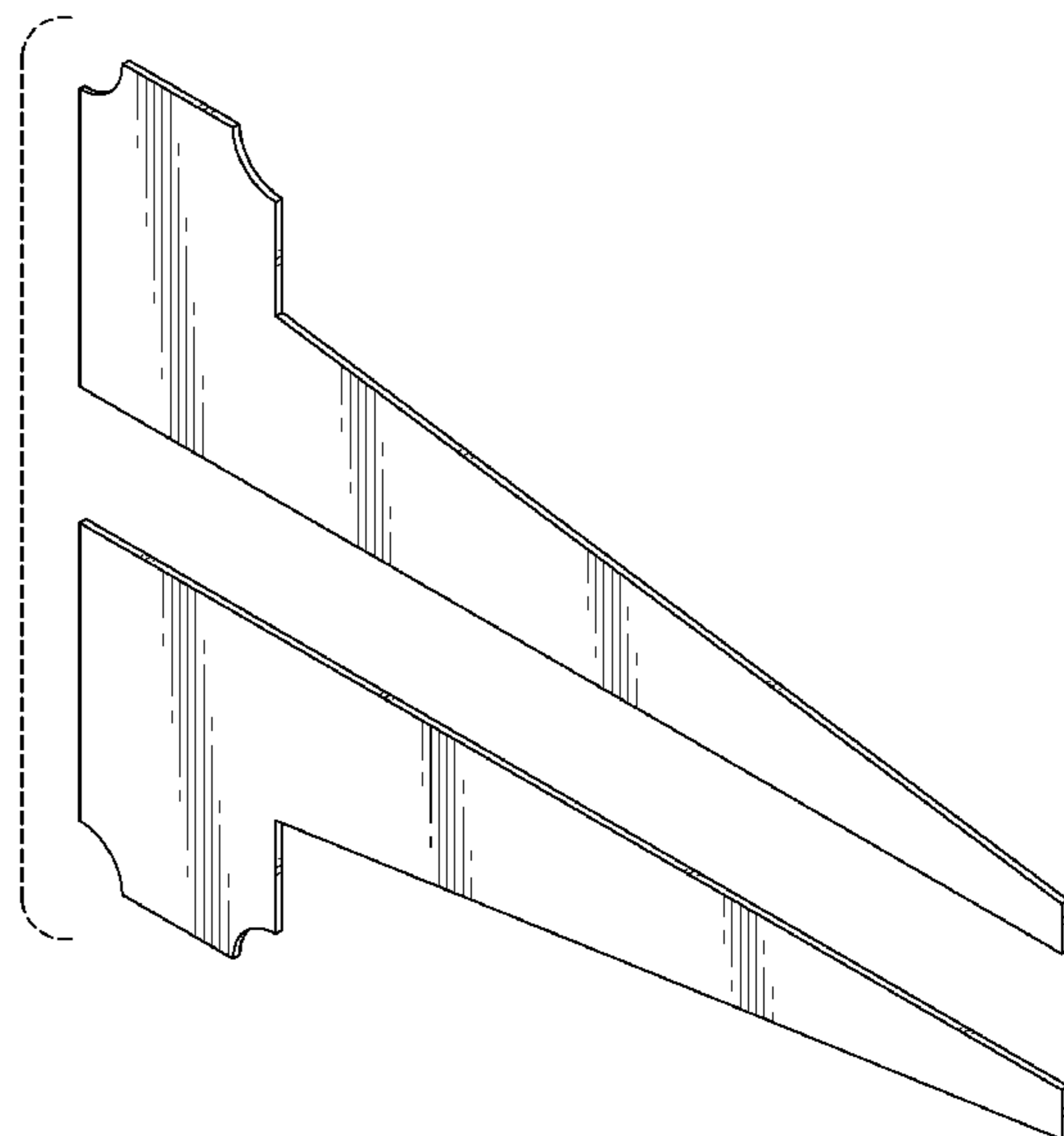
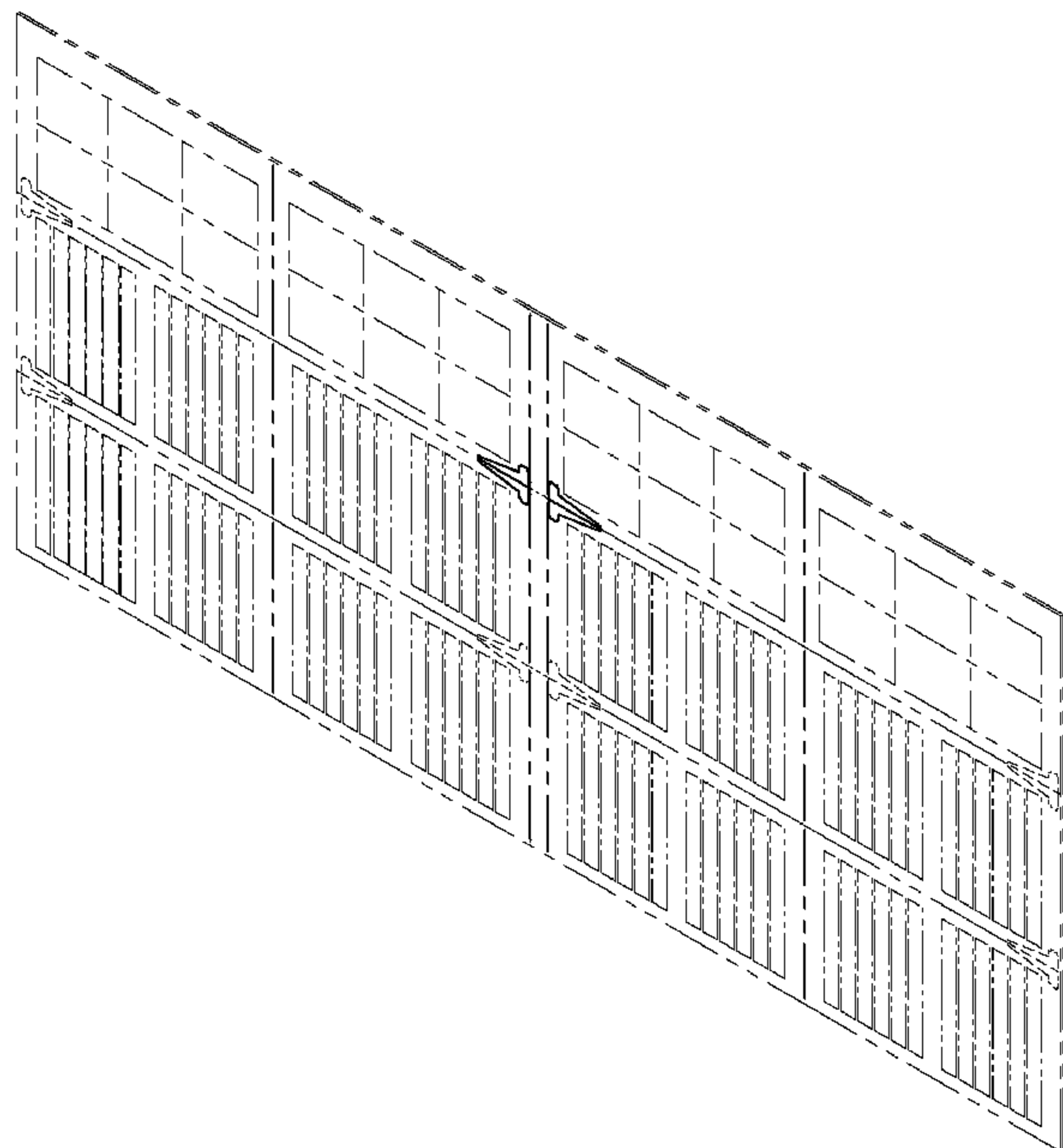


FIG. 1

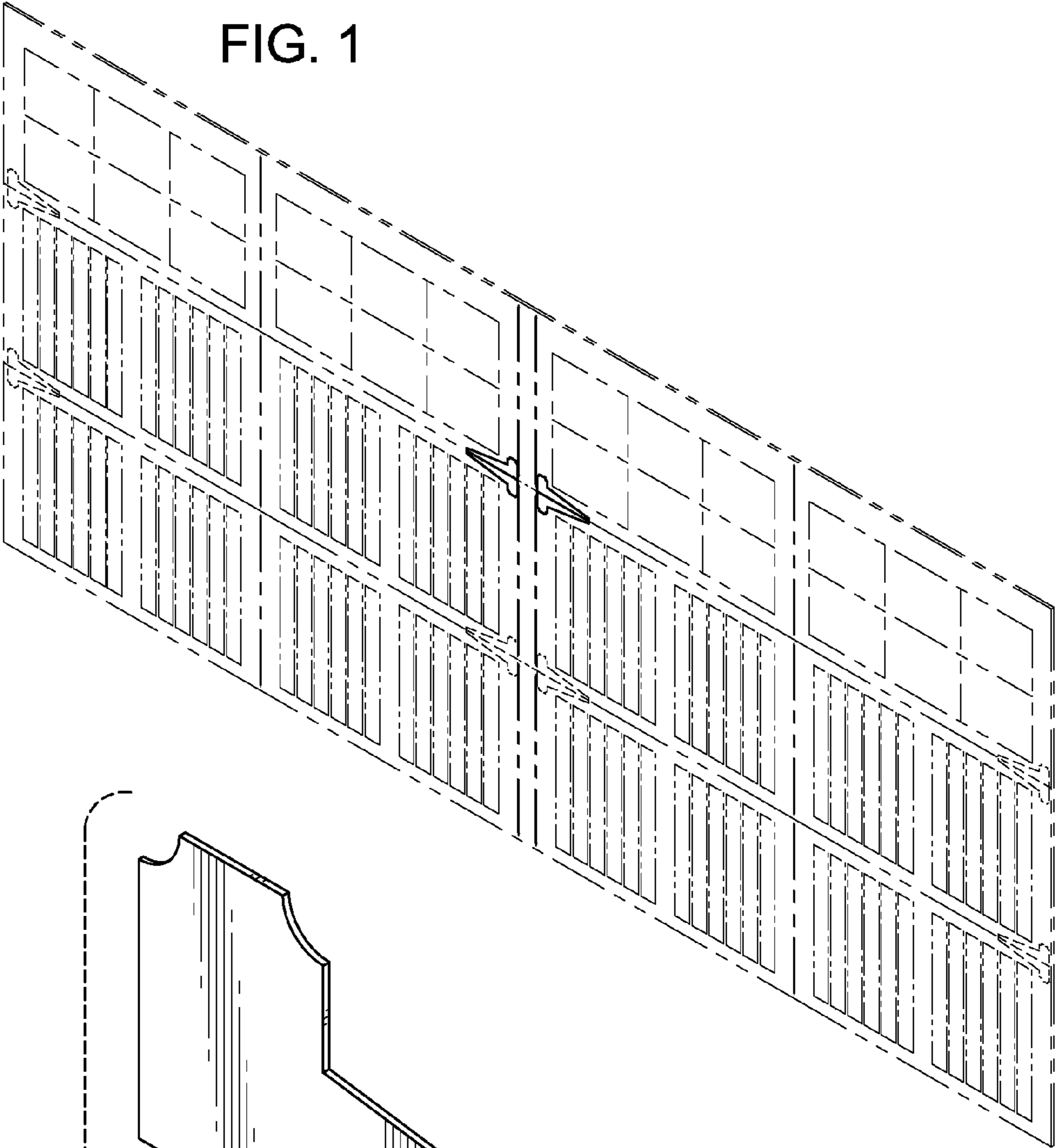


FIG. 2

