



US00D586196S

(12) **United States Design Patent**
Kosugi et al.

(10) **Patent No.:** **US D586,196 S**

(45) **Date of Patent:** **** Feb. 10, 2009**

(54) **PORTABLE GAS NAILING MACHINE**

(75) Inventors: **Shingo Kosugi**, Hitachinaka (JP);
Masanori Okada, Hitachinaka (JP);
Yoshitaka Akiba, Hitachinaka (JP);
Yoshimitsu Iijima, Hitachinaka (JP);
Norikazu Baba, Hitachinaka (JP)

(73) Assignee: **Hitachi Koki Co., Ltd.**, Tokyo (JP)

(**) Term: **14 Years**

(21) Appl. No.: **29/296,046**

(22) Filed: **Oct. 12, 2007**

(30) **Foreign Application Priority Data**

Apr. 13, 2007 (JP) 2007-010046

(51) **LOC (9) Cl.** **08-05**

(52) **U.S. Cl.** **D8/69**

(58) **Field of Classification Search** D8/14.1,
D8/61, 62, 63, 64, 65, 66, 67, 68, 69, 70;
81/57.11, 429, 454, 455, 456, 469, 489; 173/13,
173/104, 114, 168, 169, 170, 171, 178, 201,
173/211, 213, 217; 408/20, 124, 125, 234,
408/241 R; 451/358; 310/50; 227/8, 113,
227/114, 120, 130, 136, 142

See application file for complete search history.

(56) **References Cited**

U.S. PATENT DOCUMENTS

D497,299 S * 10/2004 Matsuoka et al. D8/69

6,886,729 B1 * 5/2005 Lee 227/8
6,929,165 B1 * 8/2005 Chen et al. 227/8
D517,886 S * 3/2006 Thomas et al. D8/69
D526,874 S * 8/2006 Tsuzuki et al. D8/69
2005/0218179 A1 * 10/2005 Akiba et al. 227/130
2006/0144889 A1 * 7/2006 Nishikawa et al. 227/8
2006/0249107 A1 * 11/2006 Akiba et al. 227/130
2007/0034661 A1 * 2/2007 Akiba et al. 227/130
2007/0152013 A1 * 7/2007 Wang et al. 227/130

* cited by examiner

Primary Examiner—T. Chase Nelson

(74) *Attorney, Agent, or Firm*—Sughrue Mion, PLLC

(57) **CLAIM**

The ornamental design for a portable gas nailing machine, as shown.

DESCRIPTION

FIG. 1 is a perspective view of the top, front, and left side of a portable gas nailing machine showing our new design;

FIG. 2 is a front elevational view thereof;

FIG. 3 is a rear elevational view thereof;

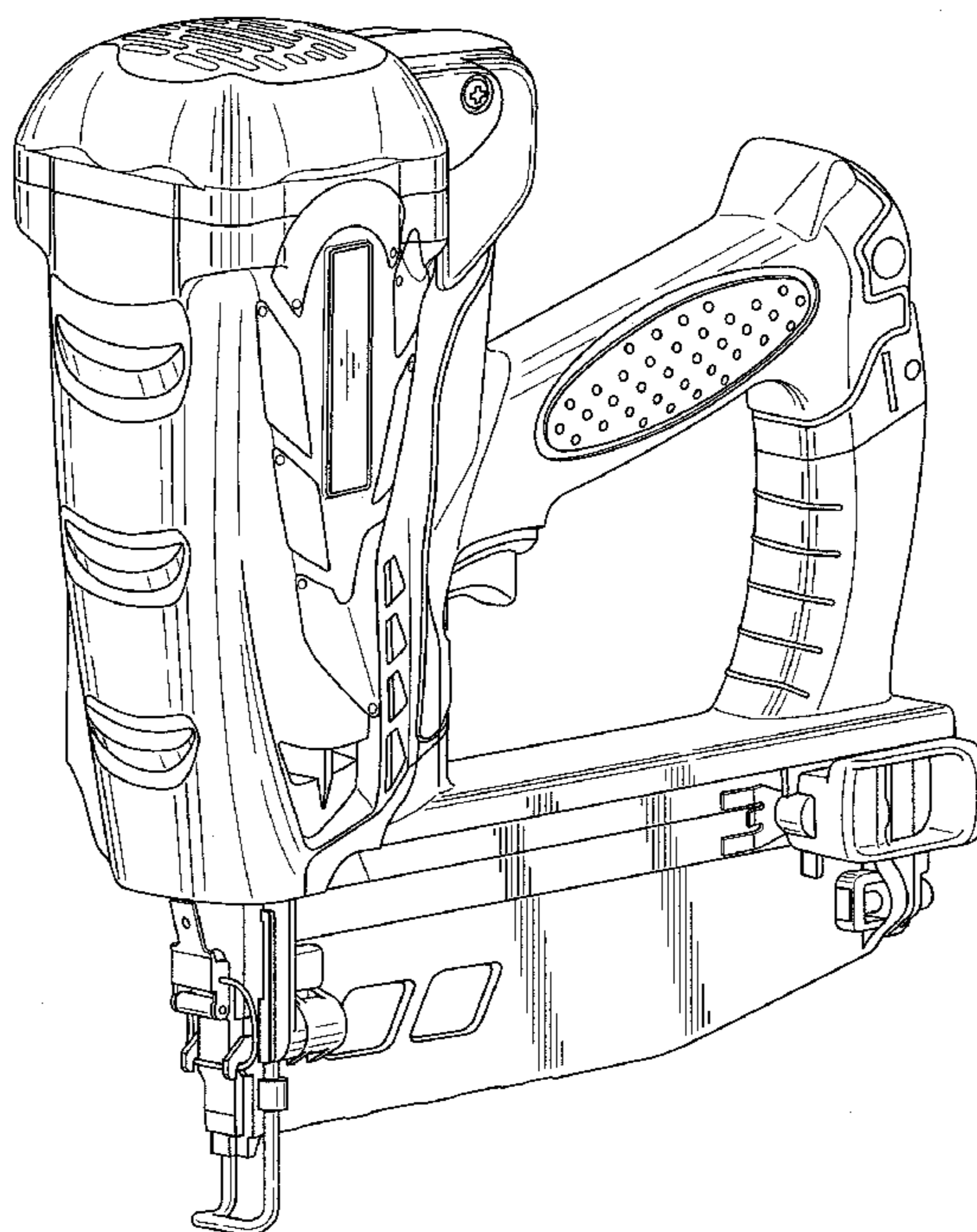
FIG. 4 is a left side elevational view thereof;

FIG. 5 is a right side elevational view thereof;

FIG. 6 is a top plan view thereof; and,

FIG. 7 is a bottom view thereof.

1 Claim, 5 Drawing Sheets



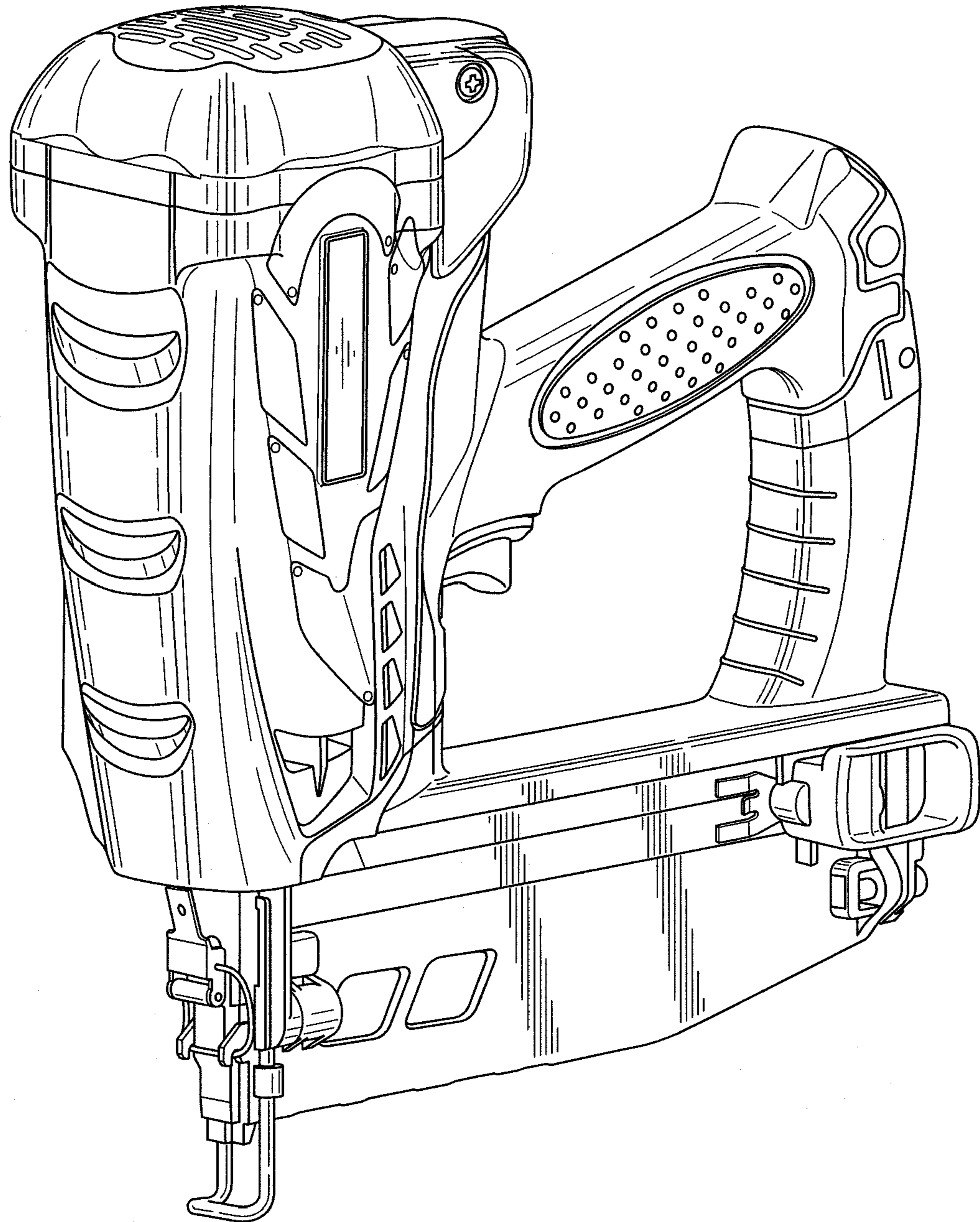


FIG. 1

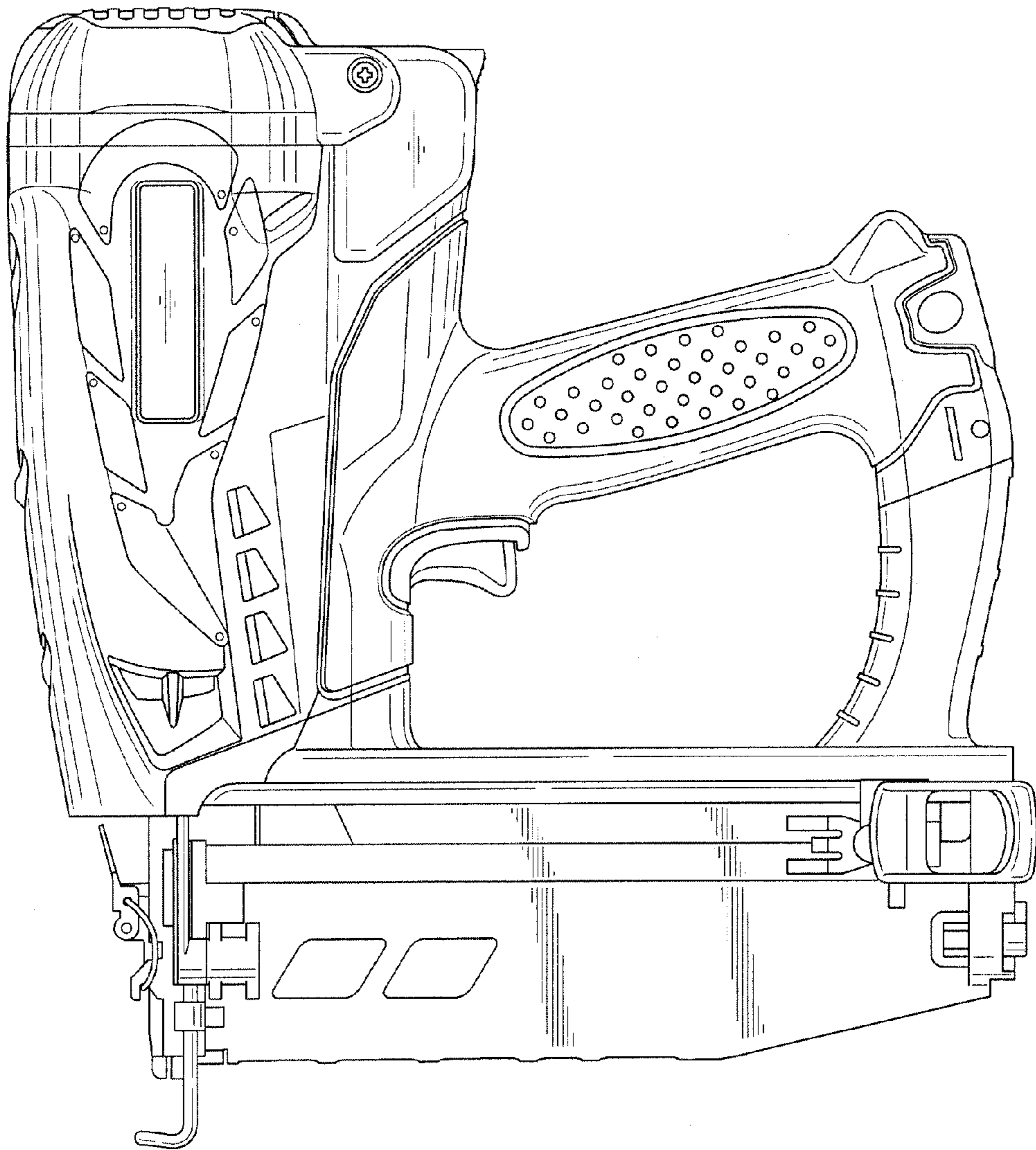


FIG. 2

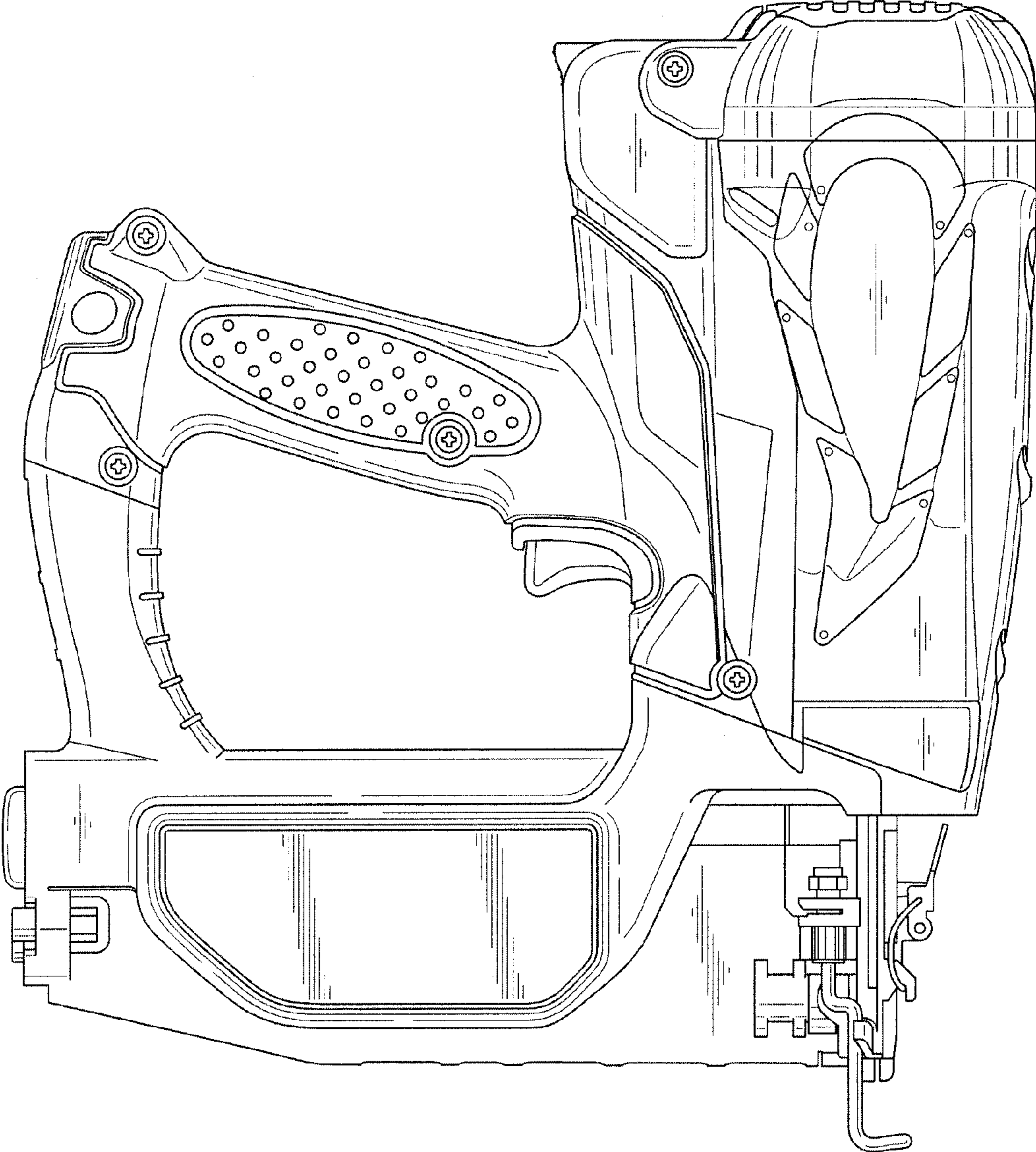


FIG. 3

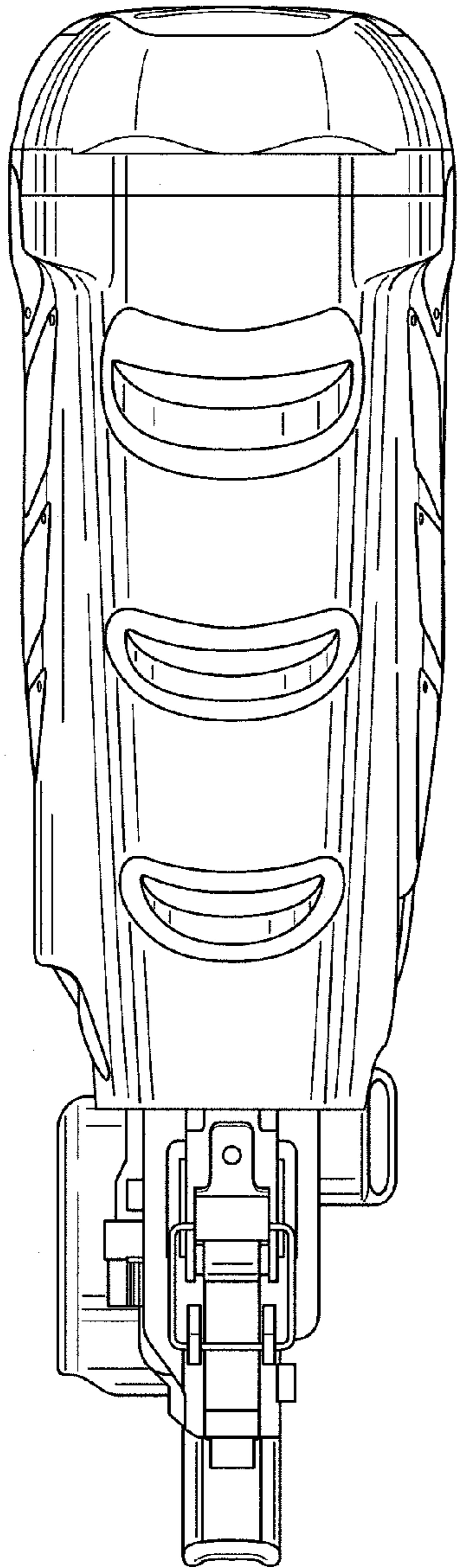


FIG. 4

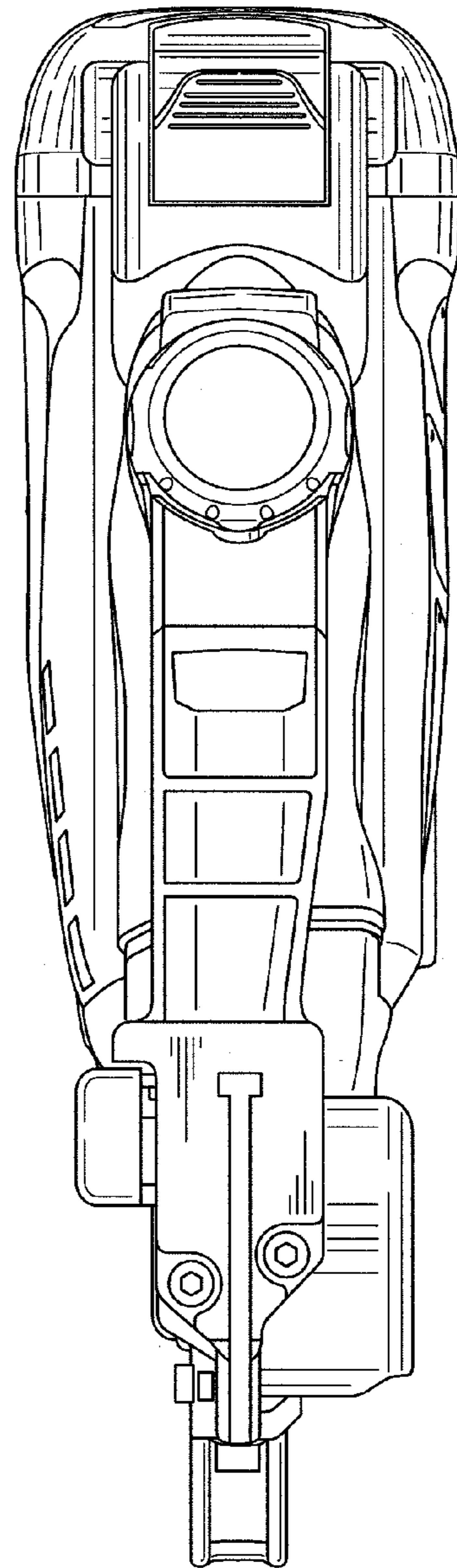


FIG. 5

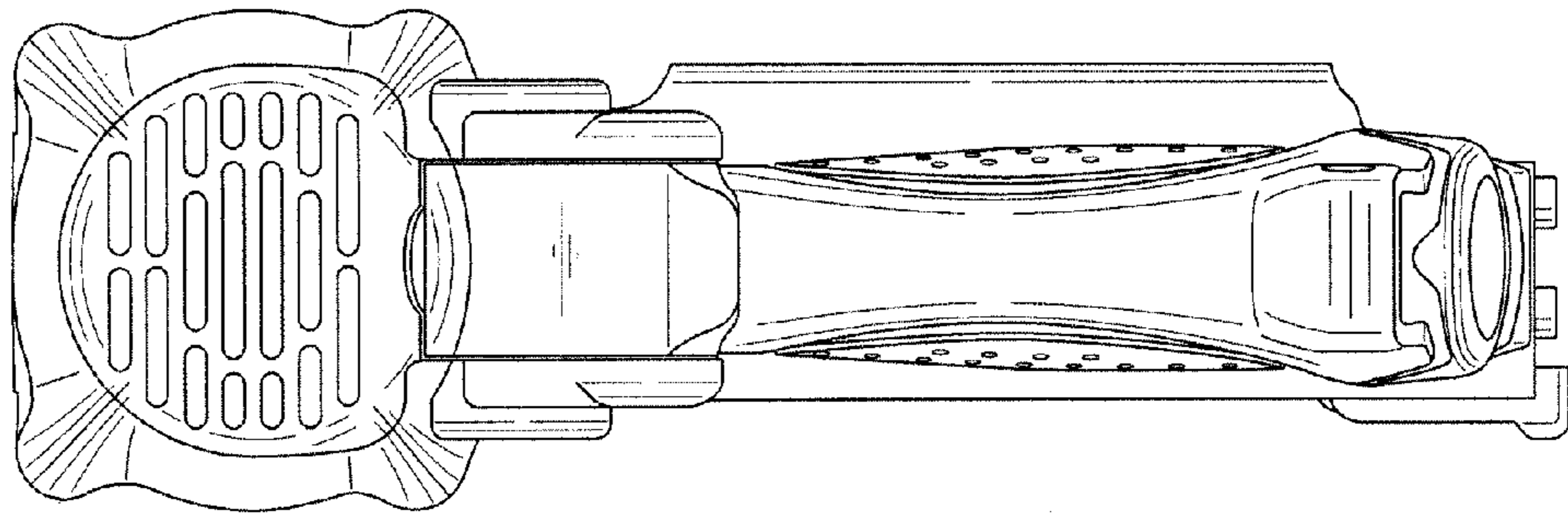


FIG. 6

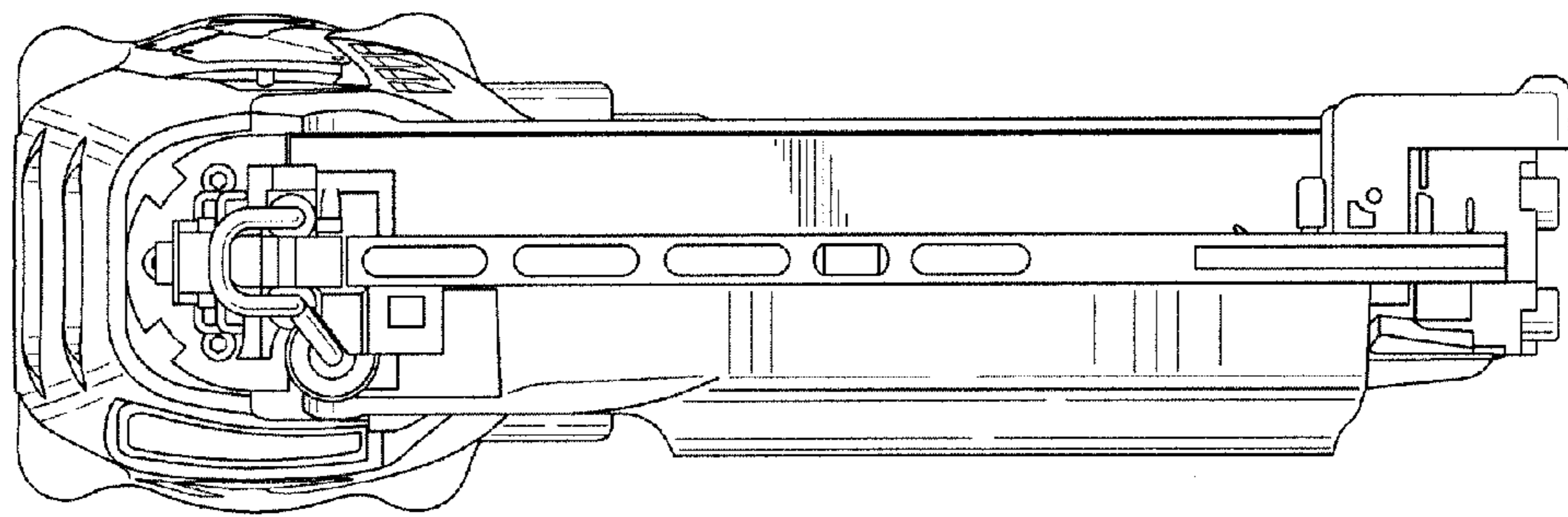


FIG. 7