



US00D586184S

(12) **United States Design Patent**
Miller et al.

(10) **Patent No.:** **US D586,184 S**
(45) **Date of Patent:** **** Feb. 10, 2009**

(54) **BEVERAGE CONTAINER**

(75) Inventors: **Blair Miller**, Chicago, IL (US); **Traci Dominique**, Orland Park, IL (US); **David Starr**, Naperville, IL (US); **Scott Borto**, Plainfield, IL (US); **Kristin Dorfmeister**, Chicago, IL (US); **Bruce Konen**, Woodridge, IL (US)

(73) Assignee: **Wilton Industries, Inc.**, Woodridge, IL (US)

(**) Term: **14 Years**

(21) Appl. No.: **29/302,536**

(22) Filed: **Jan. 18, 2008**

(51) **LOC (9) Cl.** **07-01**

(52) **U.S. Cl.** **D7/511; D7/608**

(58) **Field of Classification Search** D7/605–608,
D7/509–511, 533, 536, 317–319; 62/457.1–457.9,
62/371, 373; D9/715, 716, 443; 220/62.12,
220/592.16, 592.17, 592.2, 592.27; 215/12.1,
215/12.2, 13.1, 382–385

See application file for complete search history.

(56) **References Cited**

U.S. PATENT DOCUMENTS

D429,118 S * 8/2000 Hurlbut D7/608

6,119,888 A * 9/2000 Goto et al. 220/592.27
D500,231 S * 12/2004 Ward et al. D7/608
D528,862 S * 9/2006 Li D7/510
D551,904 S * 10/2007 Rouso et al. D7/510

* cited by examiner

Primary Examiner—Terry A Wallace

(74) *Attorney, Agent, or Firm*—DLA Piper LLP (US);
Jennifer E. Lacroix

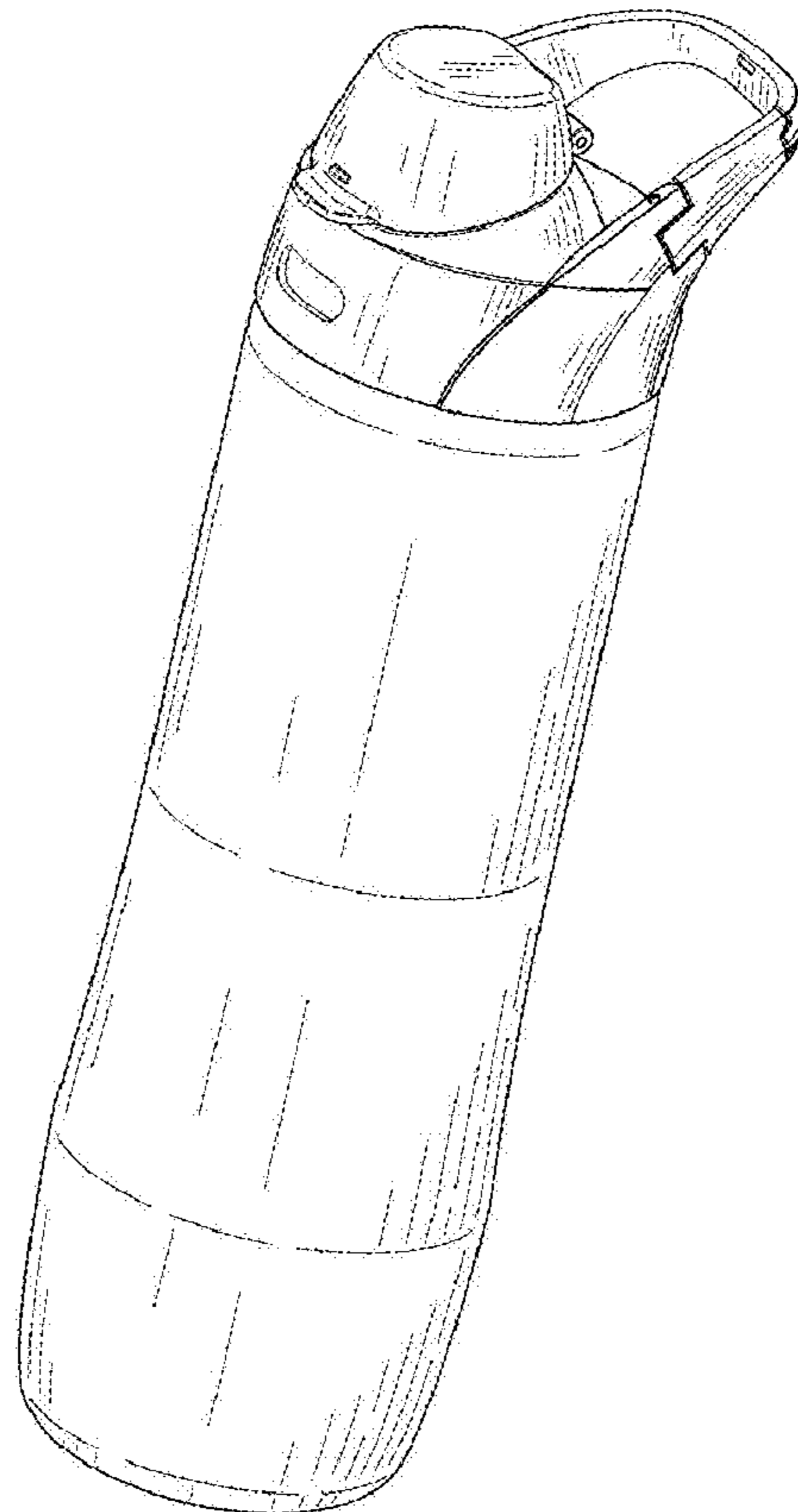
(57) **CLAIM**

The ornamental design for a beverage container, as shown and described.

DESCRIPTION

FIG. 1 is a perspective view of the beverage container;
FIG. 2 is a front elevational view of the beverage container;
FIG. 3 is a rear elevational view of the beverage container;
FIG. 4 is a right side elevational view of the beverage container;
FIG. 5 is a left side elevational view of the beverage container;
FIG. 6 is a top plan view of the beverage container; and,
FIG. 7 is a bottom plan view of the beverage container.

1 Claim, 4 Drawing Sheets



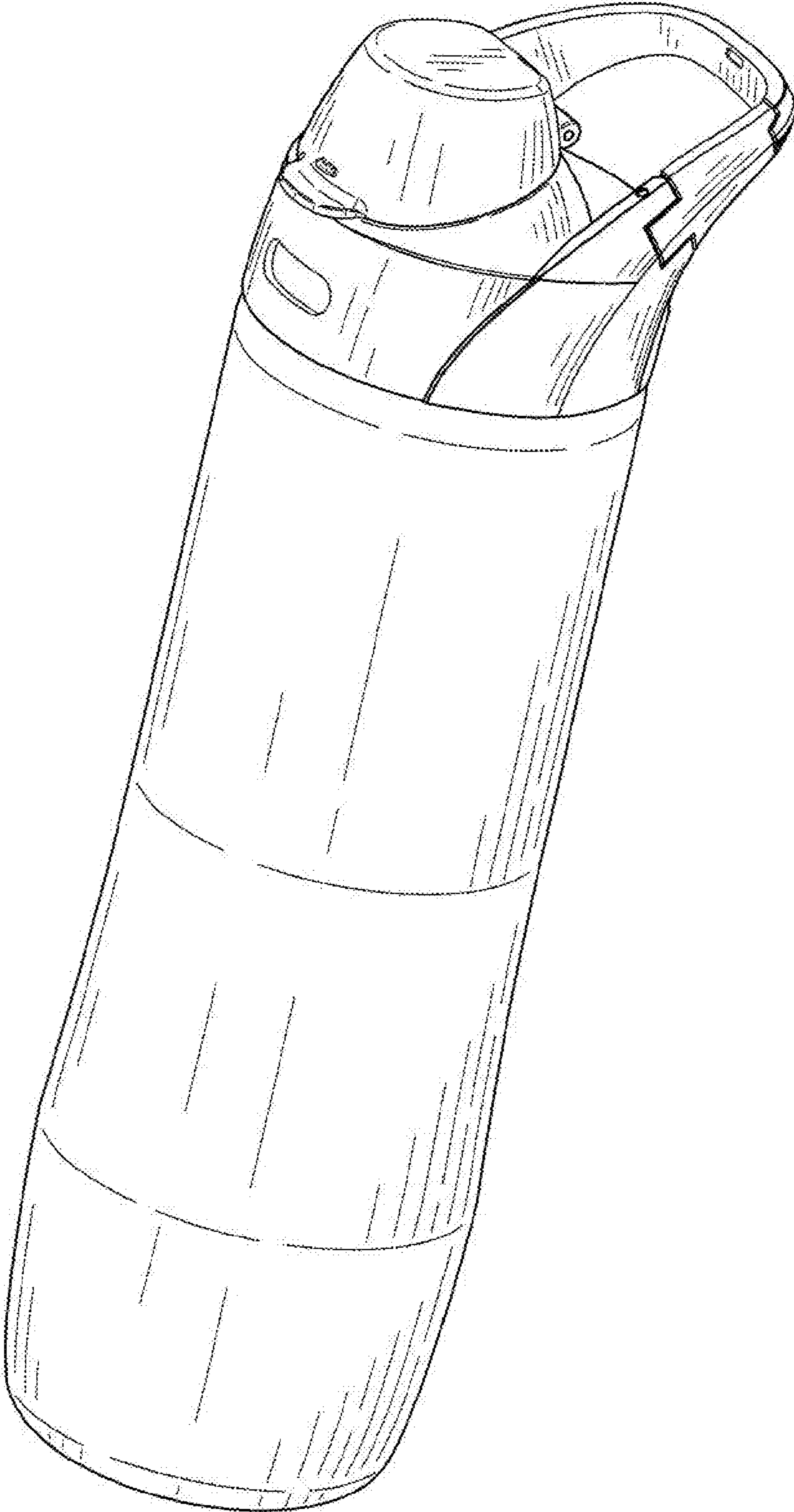


FIG. 1

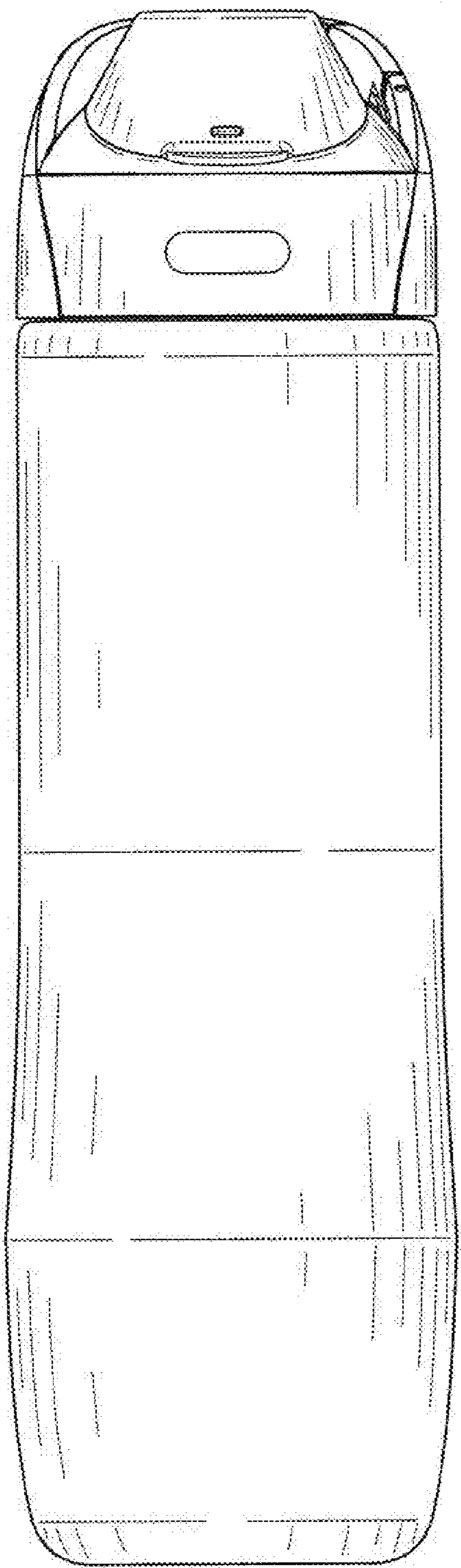


FIG. 2

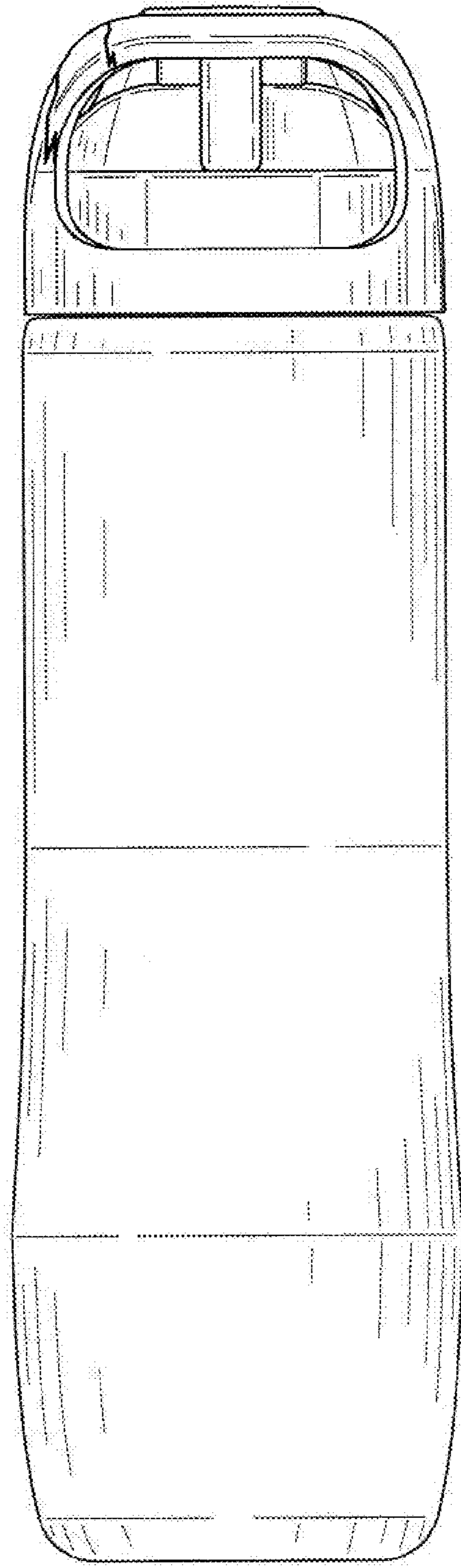


FIG. 3

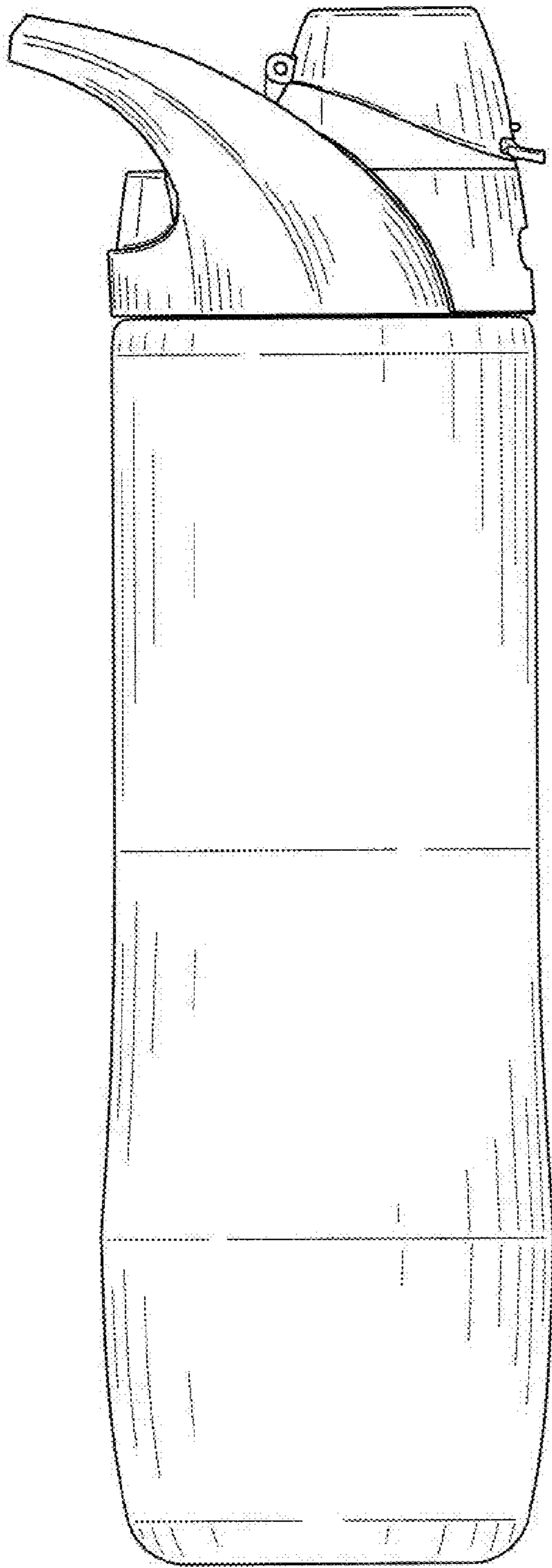


FIG. 4

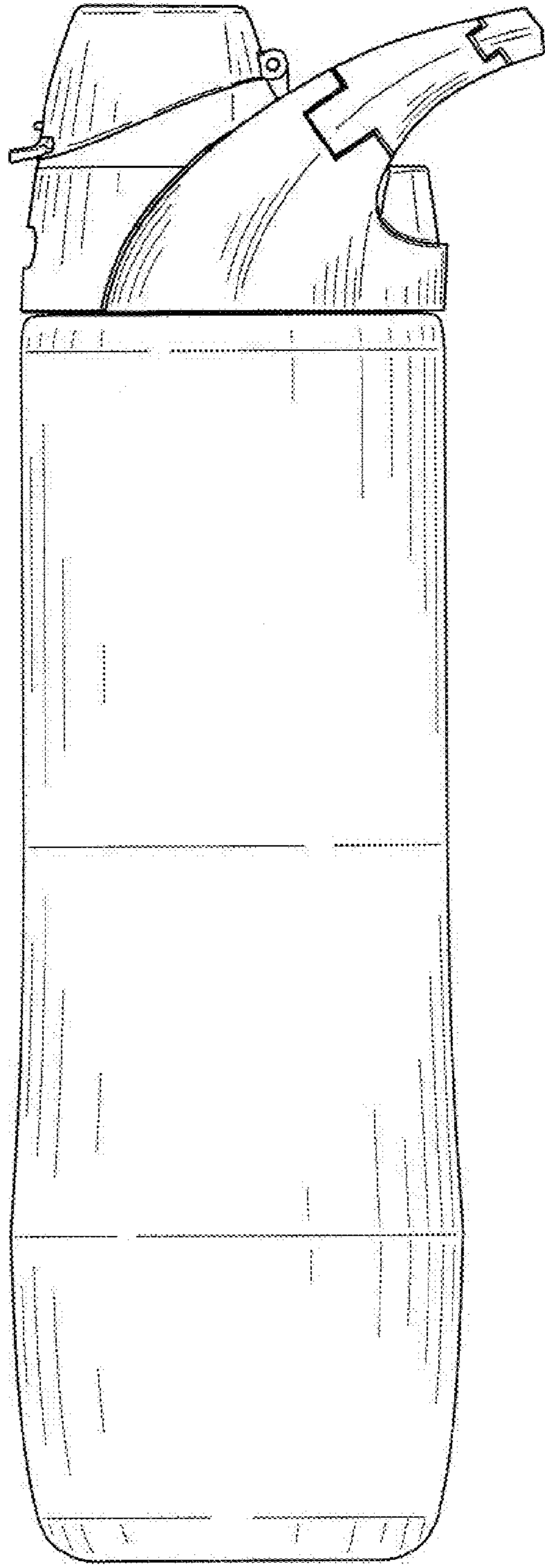


FIG. 5

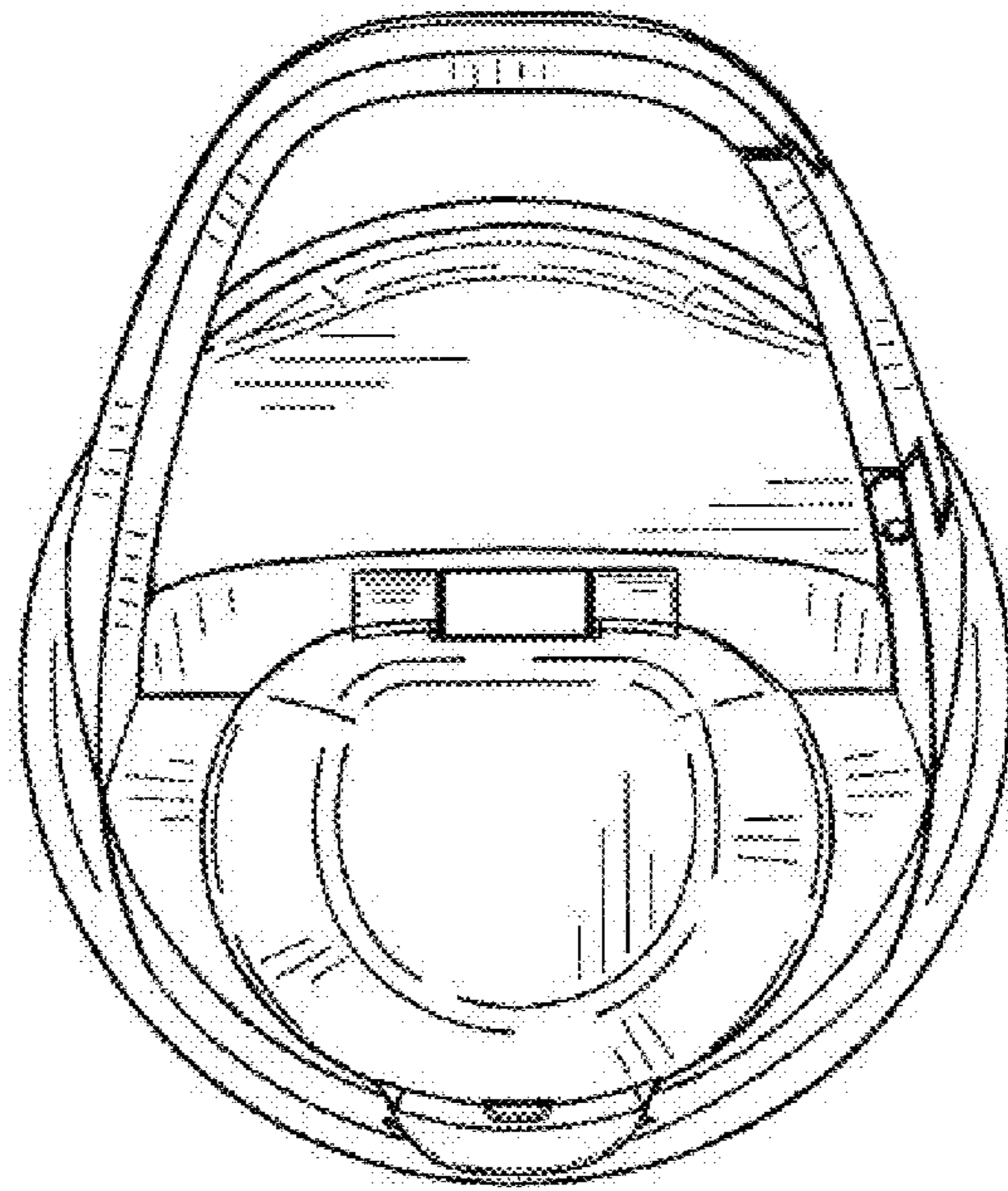


FIG. 6

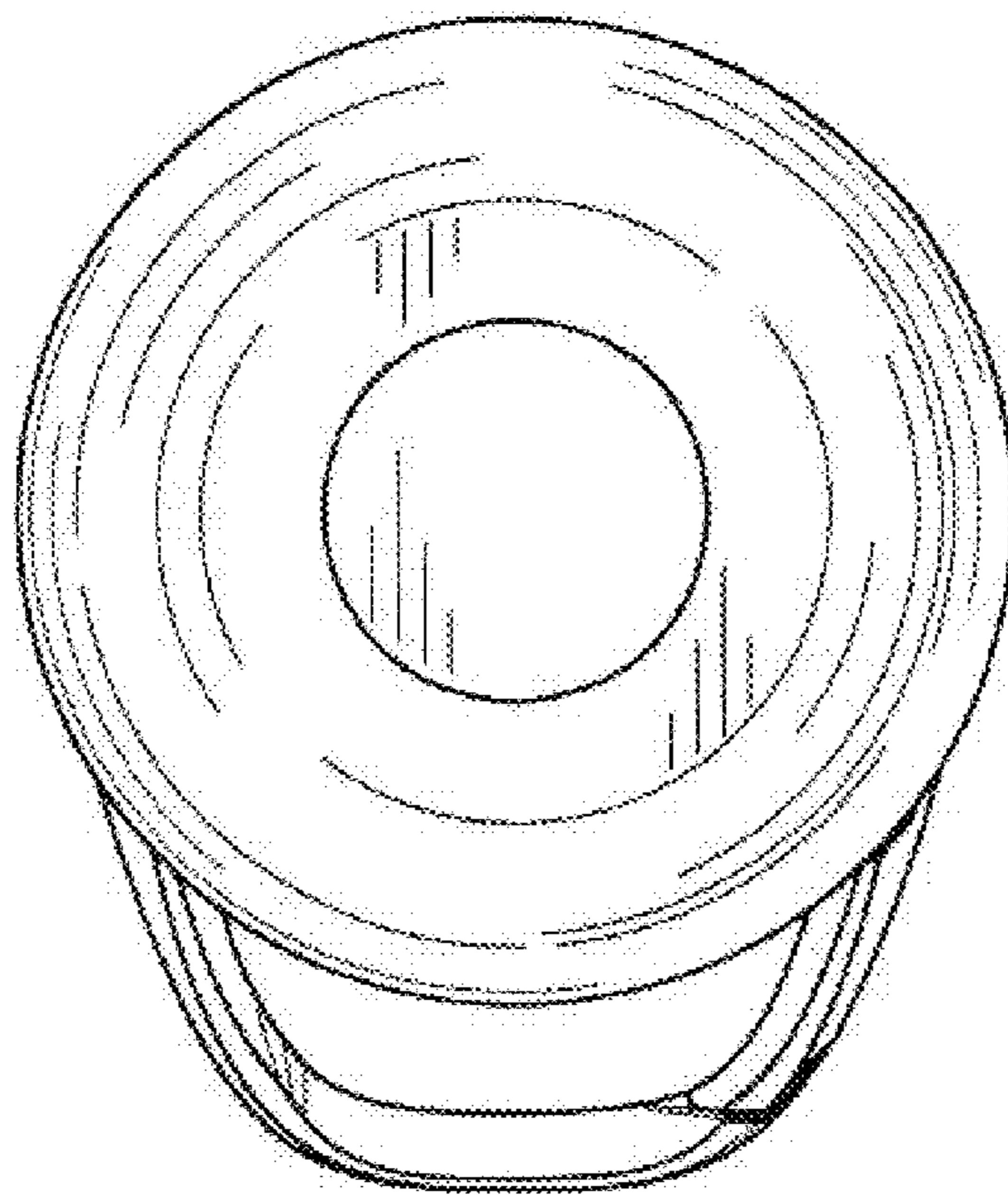


FIG. 7