



US00D586181S

(12) **United States Design Patent**
Pola

(10) **Patent No.:** **US D586,181 S**
(45) **Date of Patent:** **** Feb. 10, 2009**

(54) **CUP WITH LIGHTED SPINNING TOP INSERT**

(75) Inventor: **Richard M. Pola**, Manhattan Beach, CA (US)

(73) Assignee: **Richard Pola & Associates, Inc.**, Hermosa Beach, CA (US)

(**) Term: **14 Years**

(21) Appl. No.: **29/276,074**

(22) Filed: **Jan. 13, 2007**

(51) **LOC (9) Cl.** **07-01**

(52) **U.S. Cl.** **D7/507; D7/509; D7/523**

(58) **Field of Classification Search** D7/500, D7/509, 523, 531, 505, 507, 514; D9/428, D9/520, 716, 715, 769; 215/387, DIG. 7, 215/371, 382; 220/703, 592.16, 592.17, 220/630; 99/341; 134/113; D26/10, 13, D26/16; 468/43; 40/324; 250/487.1; 206/217, 206/6; 219/432, 433; 362/101, 154

See application file for complete search history.

(56) **References Cited**

U.S. PATENT DOCUMENTS

| | | | | |
|---------------|---------|--------|-------|---------|
| D5,744 S * | 4/1872 | Hobbs | | D7/531 |
| D38,248 S * | 9/1906 | Helmer | | D7/523 |
| D50,351 S * | 2/1917 | Heisey | | D7/529 |
| 1,561,730 A * | 11/1925 | Kodama | | 40/324 |
| 1,879,820 A * | 9/1932 | Perry | | 215/371 |

(Continued)

OTHER PUBLICATIONS

Internet printout from www.Dogpile.com, informal search for "led light adhesive back", 3 pages, Oct. 14, 2005.

Internet printout from www.diskjockey.com, 7 pages, Oct. 17, 2005—see IDS attachment p. 6—"Laser Light Costers with Continuous Blinking."

Internet printout from www.extremeglow.com on or about Oct. 17, 2005, see p. 14 for "Glow Cups and Shot Glasses".

Internet printout from www.epartyunlimited.com, on or about Oct. 17, 2005, 2 pages.

Internet printout from www.google.com, Oct. 17, 2005 informal search for "lighted coaster", 2 pages.

Internet printout from www.google.com, Oct. 17, 2005 informal search for "lighted coaster adhesive", 2 pages.

Internet printout from www.uspto.gov, Oct. 17, 2005 informal search for "Spec/(lighted and coaster)", 1 page.

Internet printout from www.uspto.gov, Oct. 17, 2005 informal search for "Spec/(lighted and coaster and adhesive)", 1 page.

(Continued)

Primary Examiner—Robert M Spear

Assistant Examiner—Cynthia Underwood

(74) *Attorney, Agent, or Firm*—Law Office of David Hong

(57) **CLAIM**

The ornamental design for a cup with a lighted spinning top insert, as shown and described.

DESCRIPTION

FIG. 1 is an elevation view of an embodiment of my new design for a cup with a first or upper compartment for holding liquids and a "round" spinning top insert. As shown in FIG. 1, the "round" spinning top insert is located and fits within a lower or second compartment of the cup body.

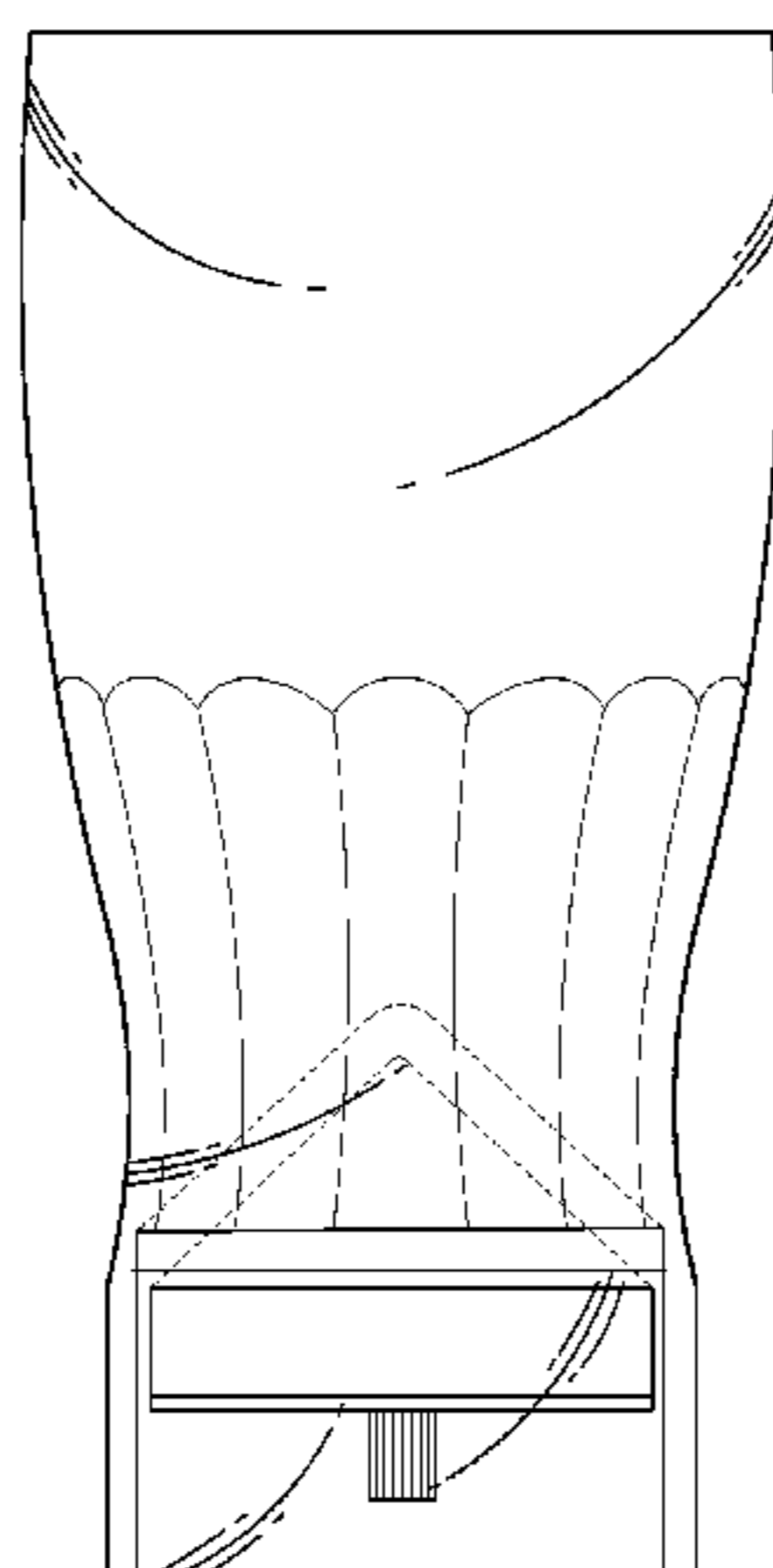
FIG. 2 is an elevation view of another embodiment of my new design for a cup with a first or upper compartment for holding liquids and a "square" or "Dradel-type" or spinning top insert. As shown in FIG. 2, the "Dradel" spinning top insert is located or fits within a lower or second compartment of the cup body.

FIG. 3 is a bottom plan view of FIG. 1 of this cup invention with the "round" spinning top insert; and,

FIG. 4 is a bottom plan view of FIG. 2 of this cup invention with the "Dradel-type" spinning top insert.

The broken lines are included for the purpose of illustrating environment and form no part of the claimed design.

1 Claim, 2 Drawing Sheets



US D586,181 S

Page 2

U.S. PATENT DOCUMENTS

2,510,237 A 6/1950 Mahoney
2,577,030 A 12/1951 Neumann
D185,649 S * 7/1959 Schlumbohm D7/523
2,945,314 A 7/1960 Baldwin
4,239,223 A 12/1980 Wilson
4,344,113 A 8/1982 Ditto
4,416,370 A * 11/1983 Beall 206/217
4,645,471 A 2/1987 Herring
5,040,719 A 8/1991 Ballway
5,123,190 A 6/1992 Erberber
D389,403 S * 1/1998 Rahr D9/428
5,769,680 A * 6/1998 Hoffman 446/75
D402,158 S * 12/1998 Mountain et al. D7/531
D405,316 S * 2/1999 Spike D7/507
6,082,866 A 7/2000 Amedee
D452,797 S * 1/2002 Palefsky et al. D7/511
6,371,637 B1 4/2002 Atchinson

6,461,008 B1 10/2002 Pederson
6,746,132 B2 * 6/2004 Liu 362/101
7,037,169 B2 * 5/2006 Benedek et al. 446/242
D557,561 S * 12/2007 Flowers et al. D7/531
D561,535 S * 2/2008 Jin D7/531
2005/0024858 A1 2/2005 Johnson

OTHER PUBLICATIONS

Internet printout from www.uspto.gov, Oct. 14, 2005 informal search for "Spec/(flat and "adhesive backing" and light and "light emitting diode" and led)", 2 pages.

Internet printout from <http://autolumination.com/fixtures.htm>, Oct. 14, 2005, 16 pages.

Internet printout from <http://www.pcconnection.com/ProductDetail?Sku=5307415>, Oct. 14, 2005, 1 page.

Internet printout from http://www.wixtools.com/html/catalog_2.html, Oct. 14, 2005, 4 pages.

* cited by examiner

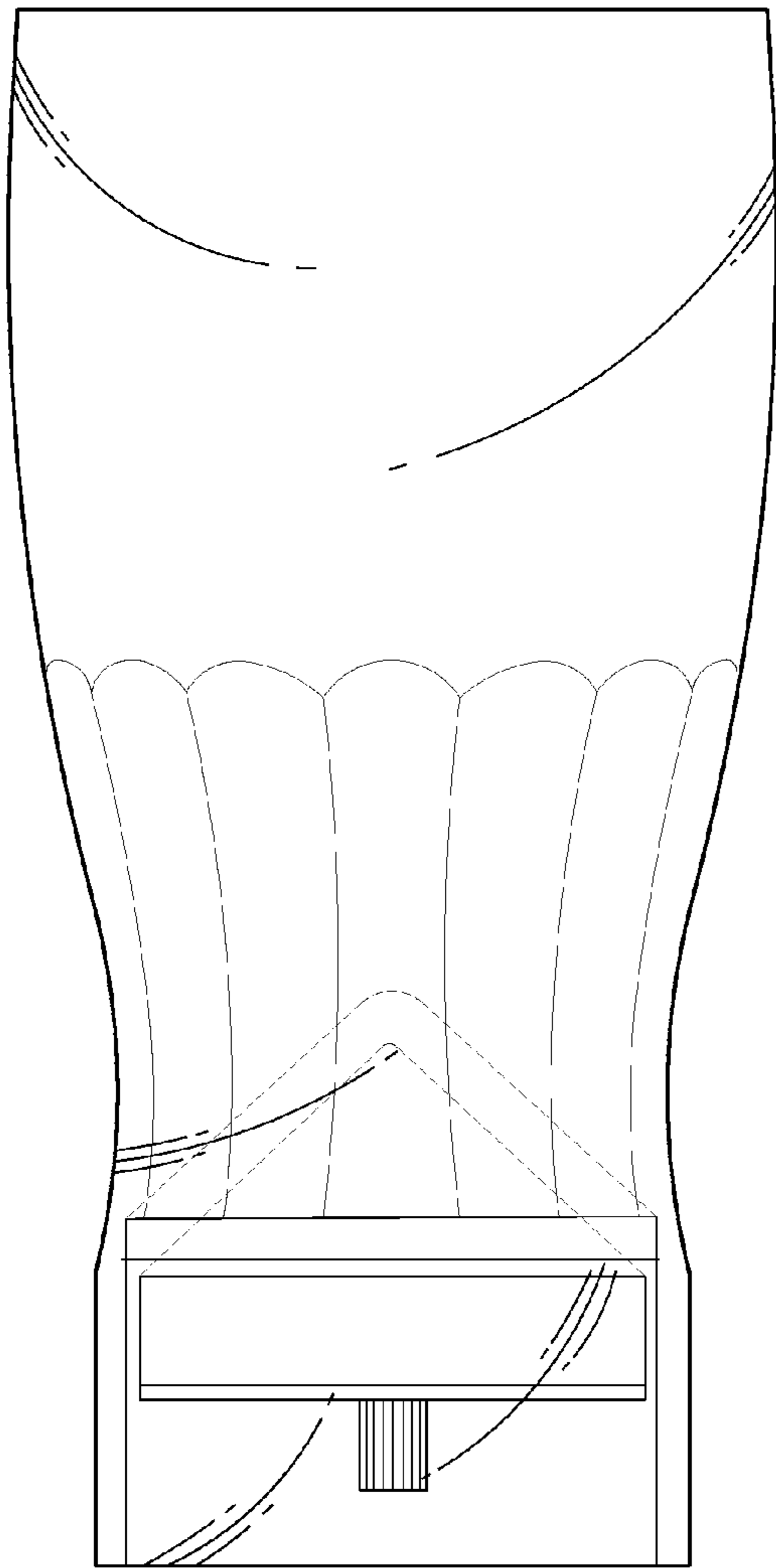


FIG. 1

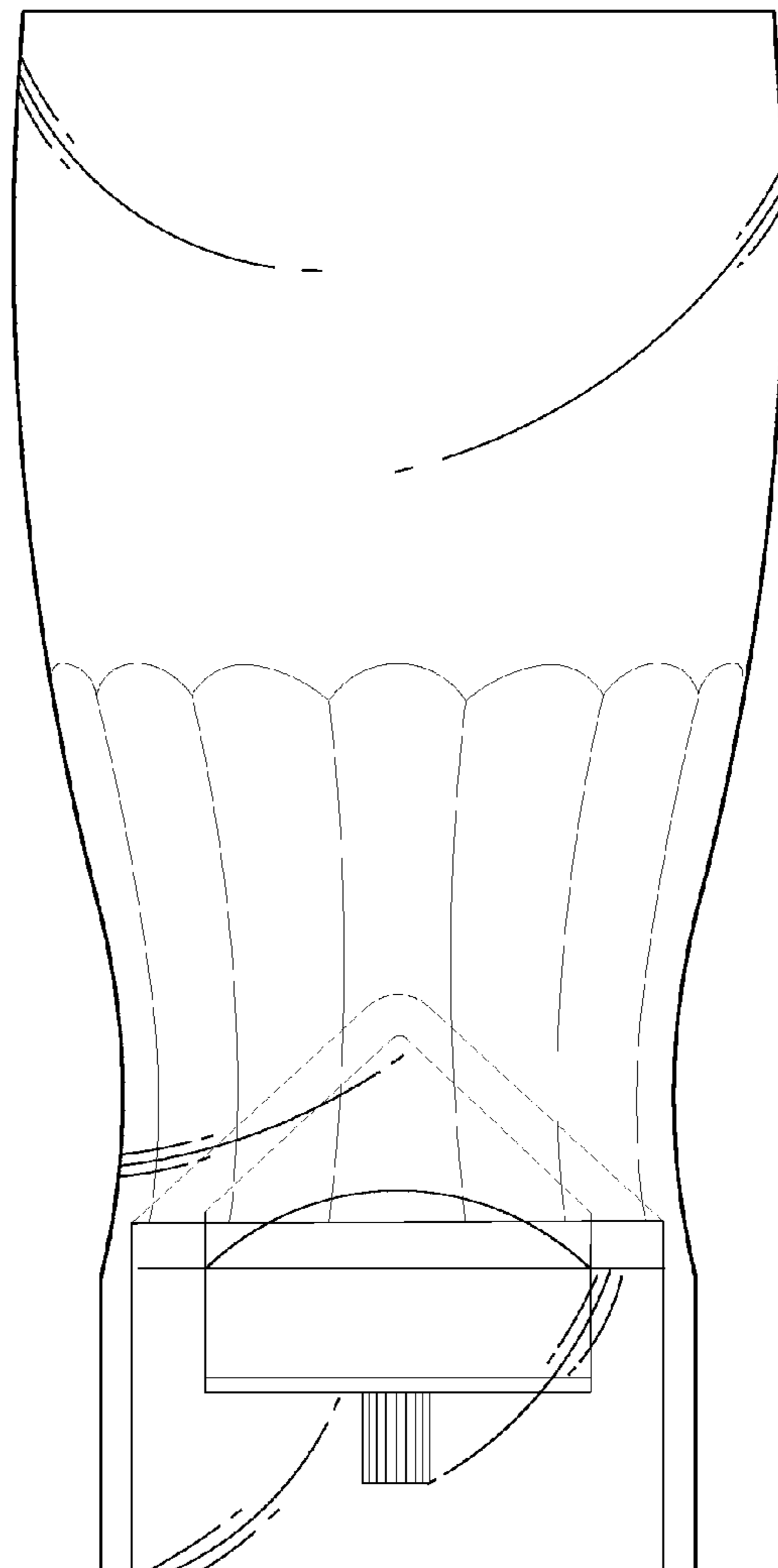


FIG. 2

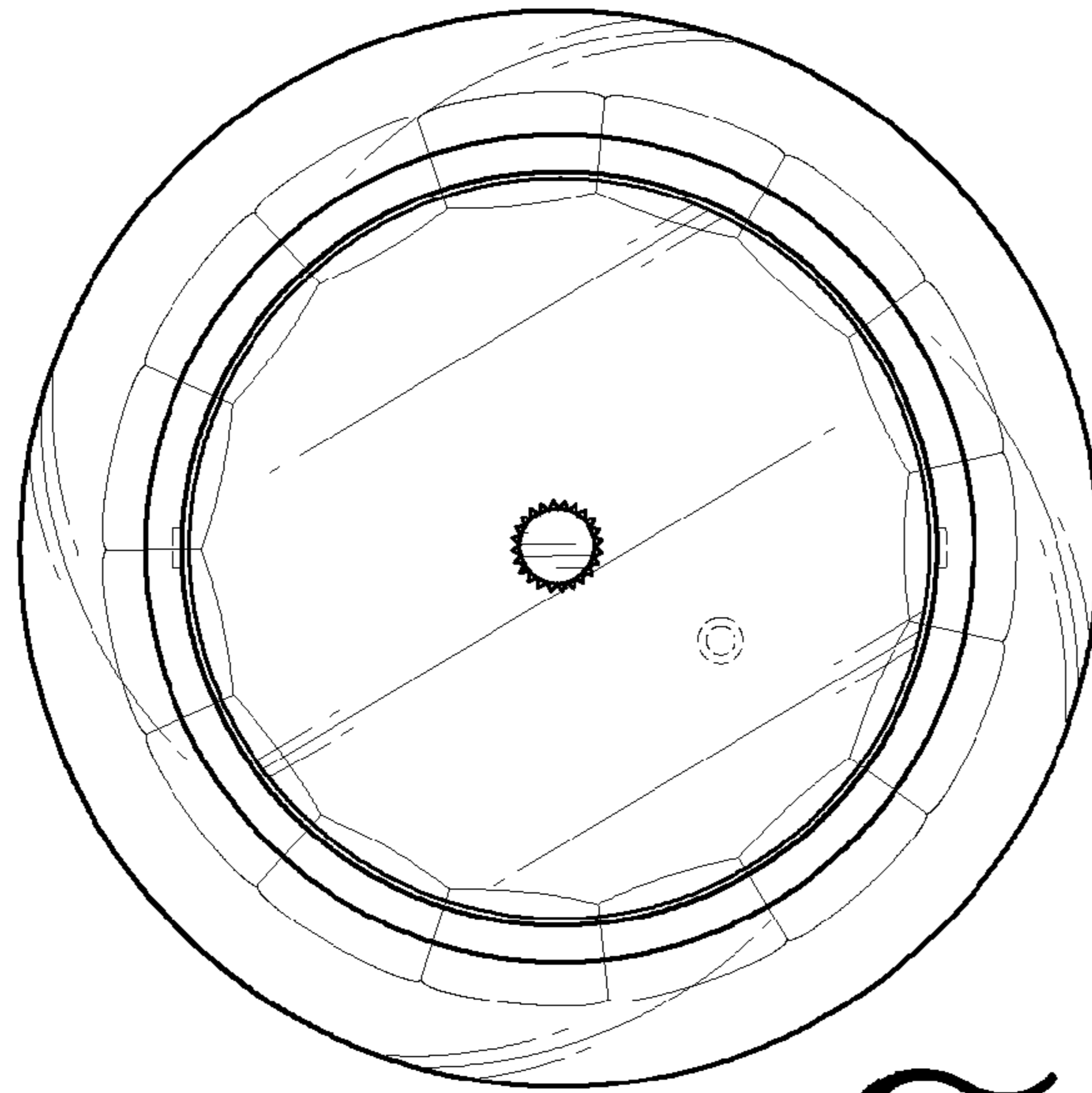


FIG. 3

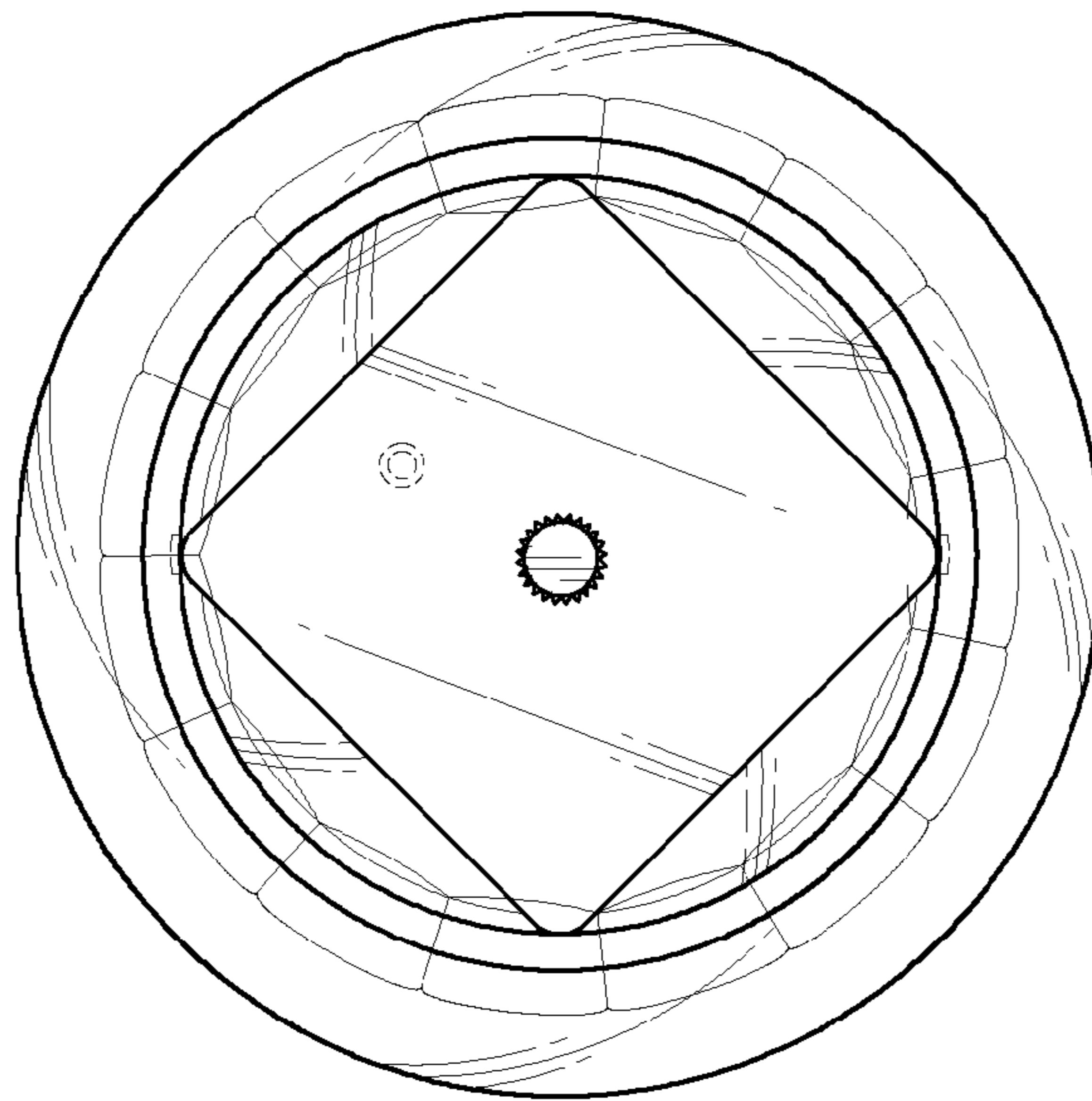


FIG. 4