



US00D586180S

(12) **United States Design Patent**  
**Pino et al.**

(10) **Patent No.:** **US D586,180 S**  
(45) **Date of Patent:** **\*\* Feb. 10, 2009**

(54) **TOASTER OVEN**

(75) Inventors: **Giovanni Pino**, Delray Beach, FL (US);  
**Daniel Sumser**, Lake Worth, FL (US);  
**Jeff Juskowich**, Mableton, GA (US);  
**Maureen Carroll**, Atlanta, GA (US);  
**Shane Byler**, Mableton, GA (US)

(73) Assignee: **Sunbeam Products, Inc.**, Boca Raton,  
FL (US)

(\*\*) Term: **14 Years**

(21) Appl. No.: **29/322,455**

(22) Filed: **Aug. 5, 2008**

(51) **LOC (9) Cl.** ..... **07-02**

(52) **U.S. Cl.** ..... **D7/405**

(58) **Field of Classification Search** .... D7/350.1–350.4,  
D7/351, 402, 405; 126/19 M, 275 R, 275 E,  
126/756–758, 386, 387, 21 A; D15/81; 99/327–328,  
99/329 R, 331–332, 348, 357, 467, 448, 468,  
99/483, 339; 366/98, 146; 219/393  
See application file for complete search history.

(56) **References Cited**

U.S. PATENT DOCUMENTS

D380,643 S \* 7/1997 Piret ..... D7/350.4  
D412,637 S \* 8/1999 Piret ..... D7/350.4  
D420,245 S \* 2/2000 De'Longhi ..... D7/350.4

D447,905 S \* 9/2001 Smith-Berry et al. .... D7/350.4  
D455,046 S \* 4/2002 Hwang ..... D7/405  
D463,198 S \* 9/2002 Nishikawa ..... D7/351  
D481,582 S \* 11/2003 Seum et al. .... D7/350.1  
D489,934 S \* 5/2004 Sagawa et al. .... D7/351  
D495,556 S \* 9/2004 Milrud et al. .... D7/405  
D521,799 S \* 5/2006 Ledingham et al. .... D7/350.1  
D567,013 S \* 4/2008 Choya ..... D7/350.1  
D568,675 S \* 5/2008 Kawata ..... D7/350.1

\* cited by examiner

*Primary Examiner*—Ruth McInroy

(74) *Attorney, Agent, or Firm*—Lawrence J. Shurupoff

(57) **CLAIM**

The ornamental design for a toaster oven, as shown and described.

**DESCRIPTION**

FIG. 1 is a top front right perspective view of the toaster oven showing the new design;

FIG. 2 is a left side elevation view thereof;

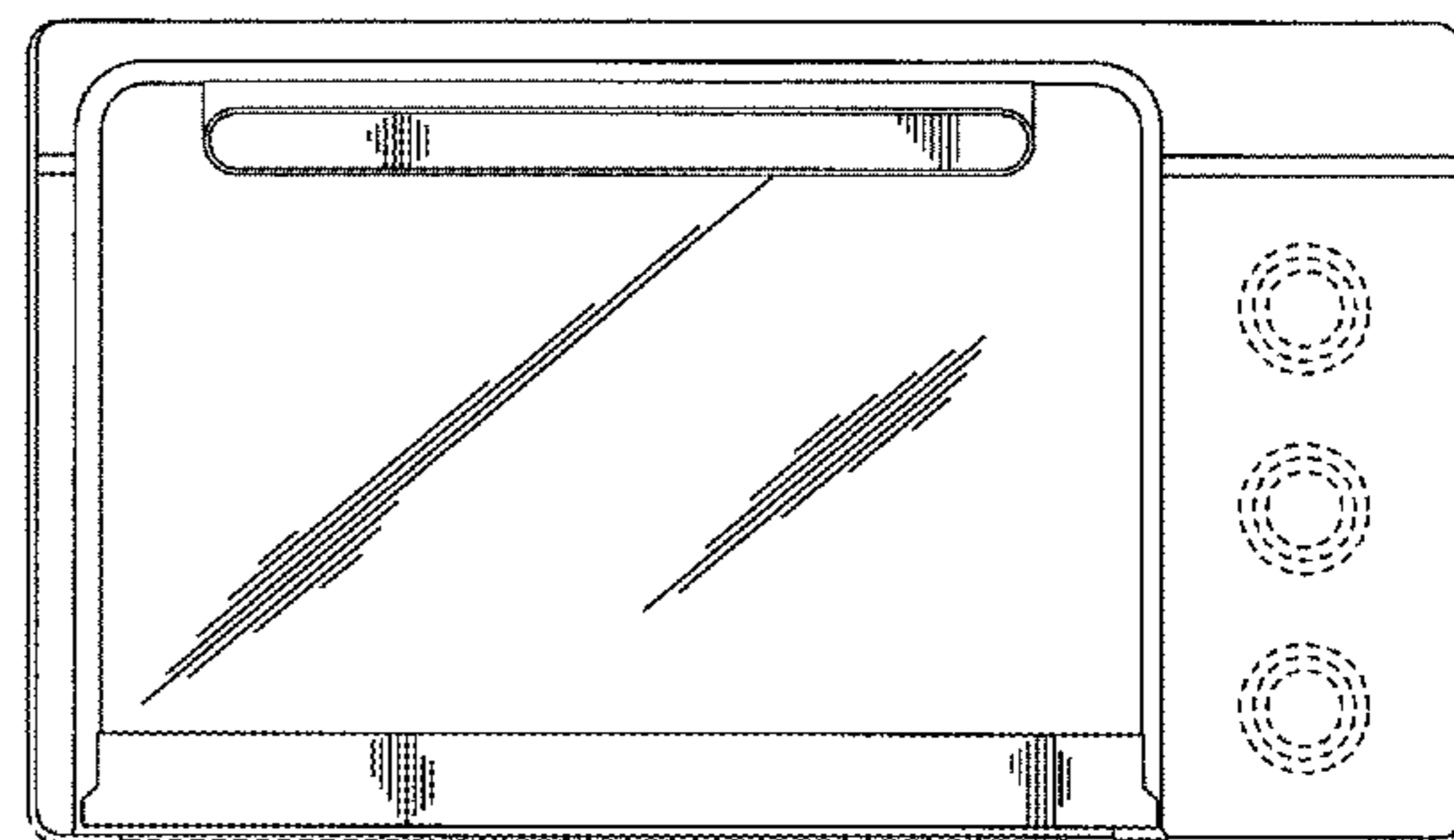
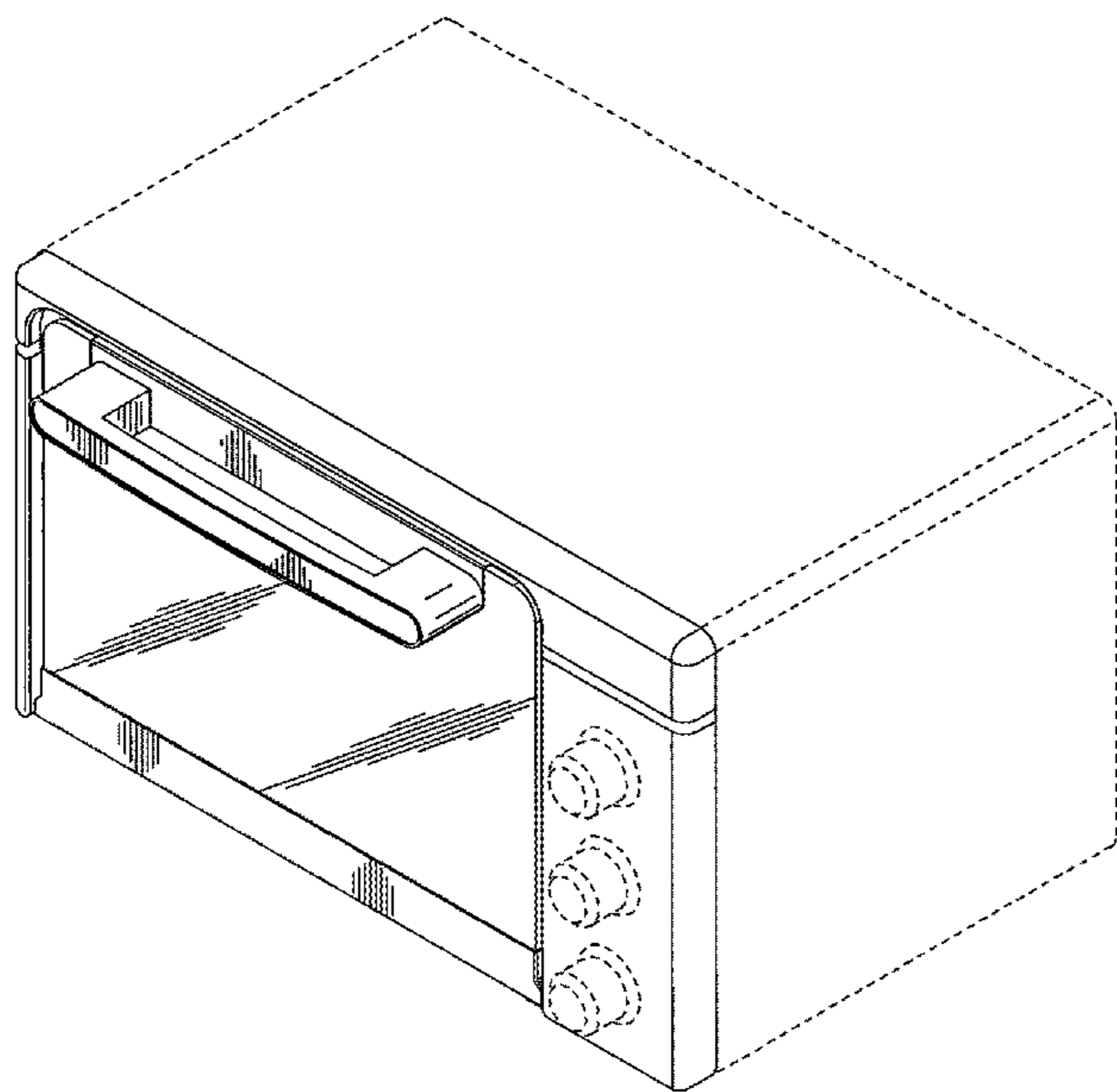
FIG. 3 is a front elevation view thereof;

FIG. 4 is a right side elevation view thereof; and,

FIG. 5 is a top plan view thereof;

The broken lines in the drawings are for illustrative purposes only and form no part of the claimed design.

**1 Claim, 5 Drawing Sheets**



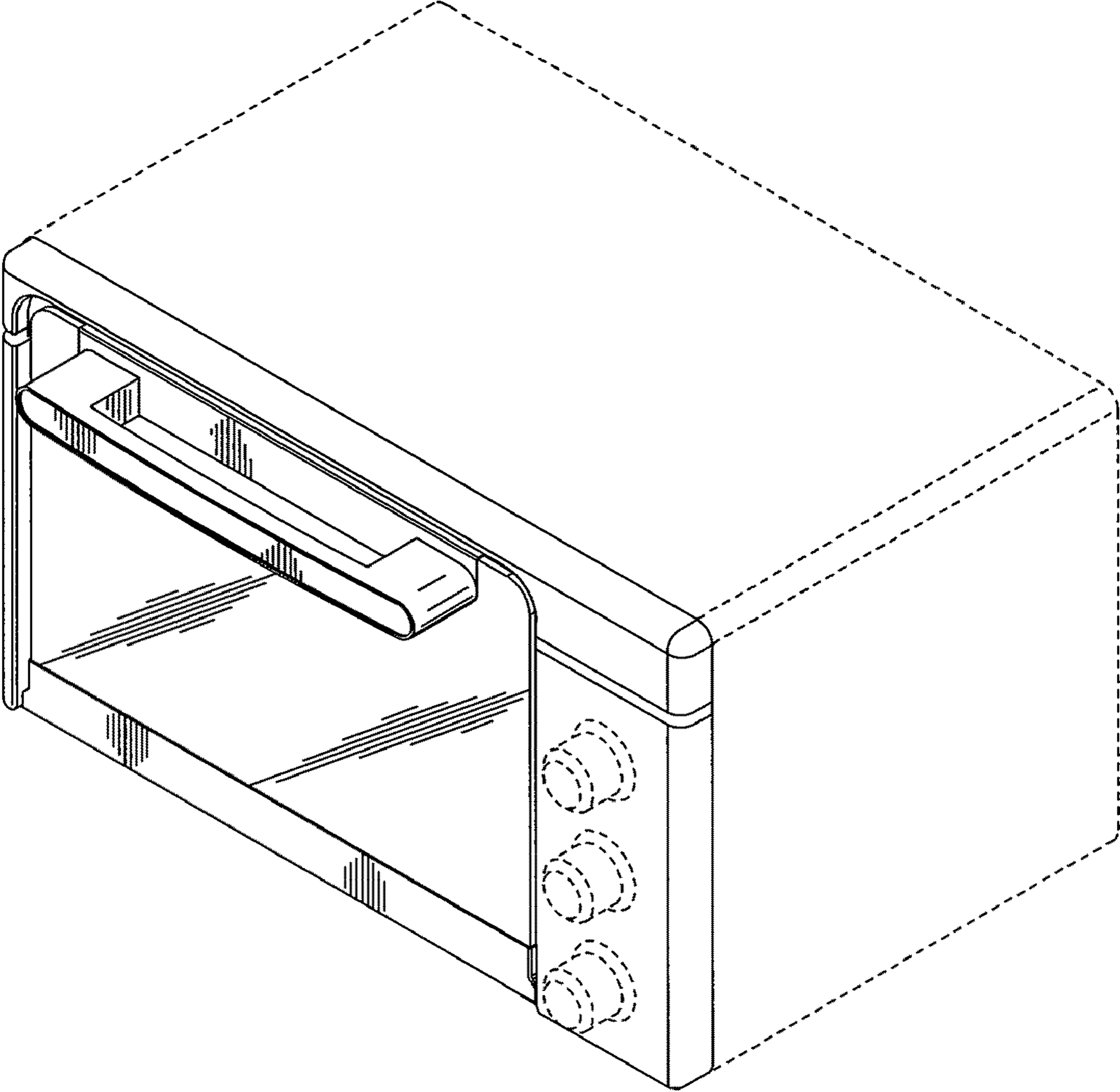


FIG 1

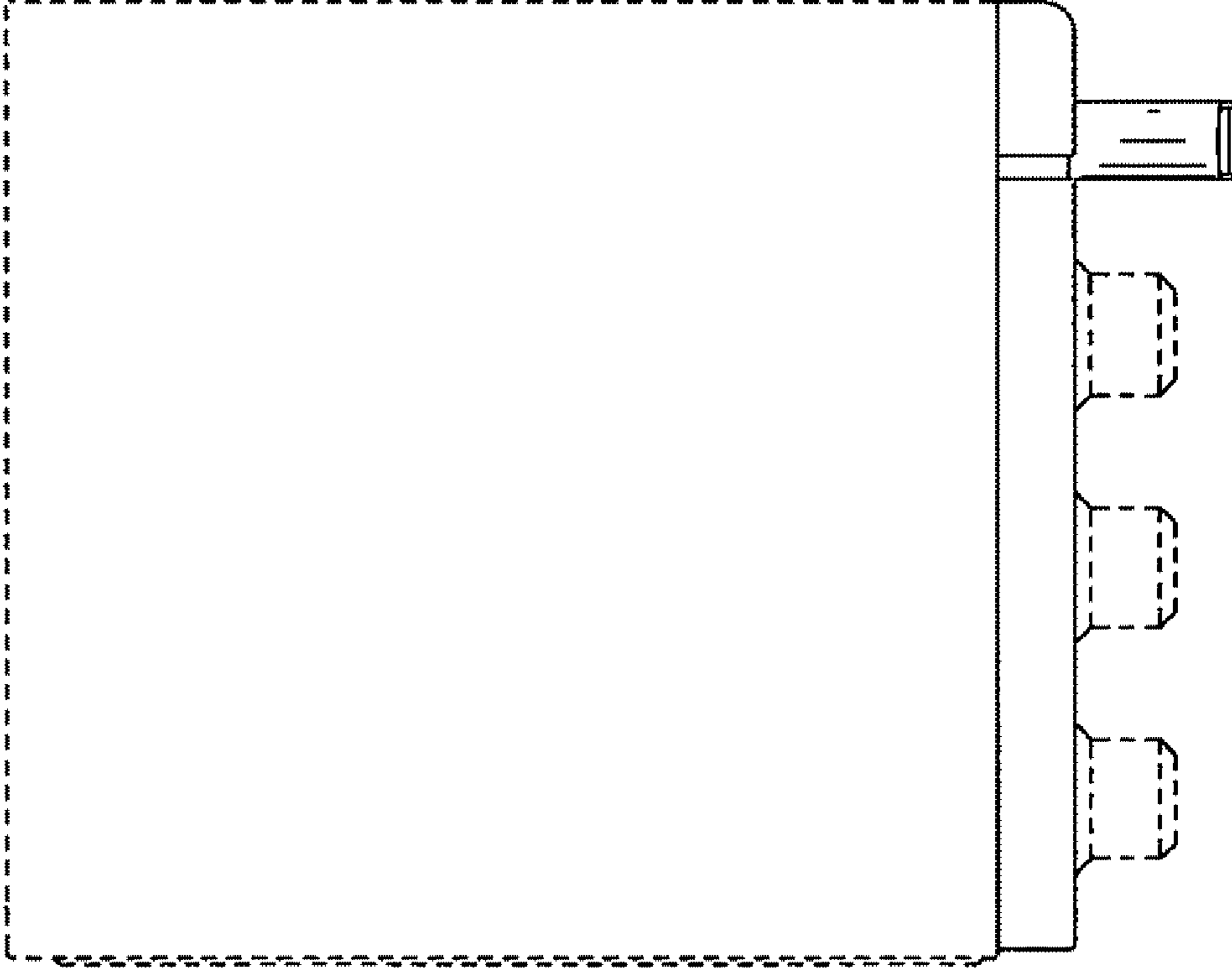


FIG 2

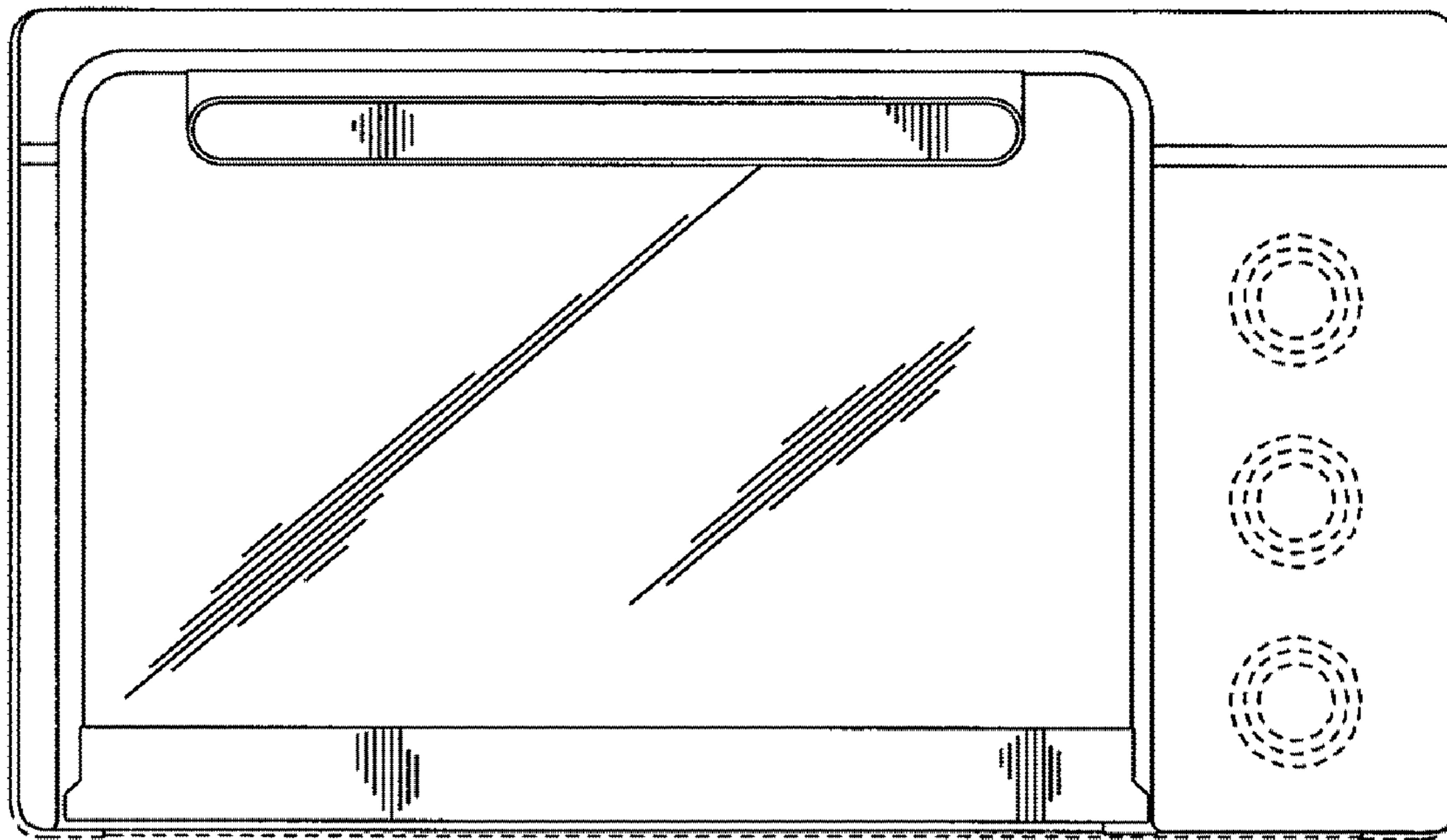


FIG 3

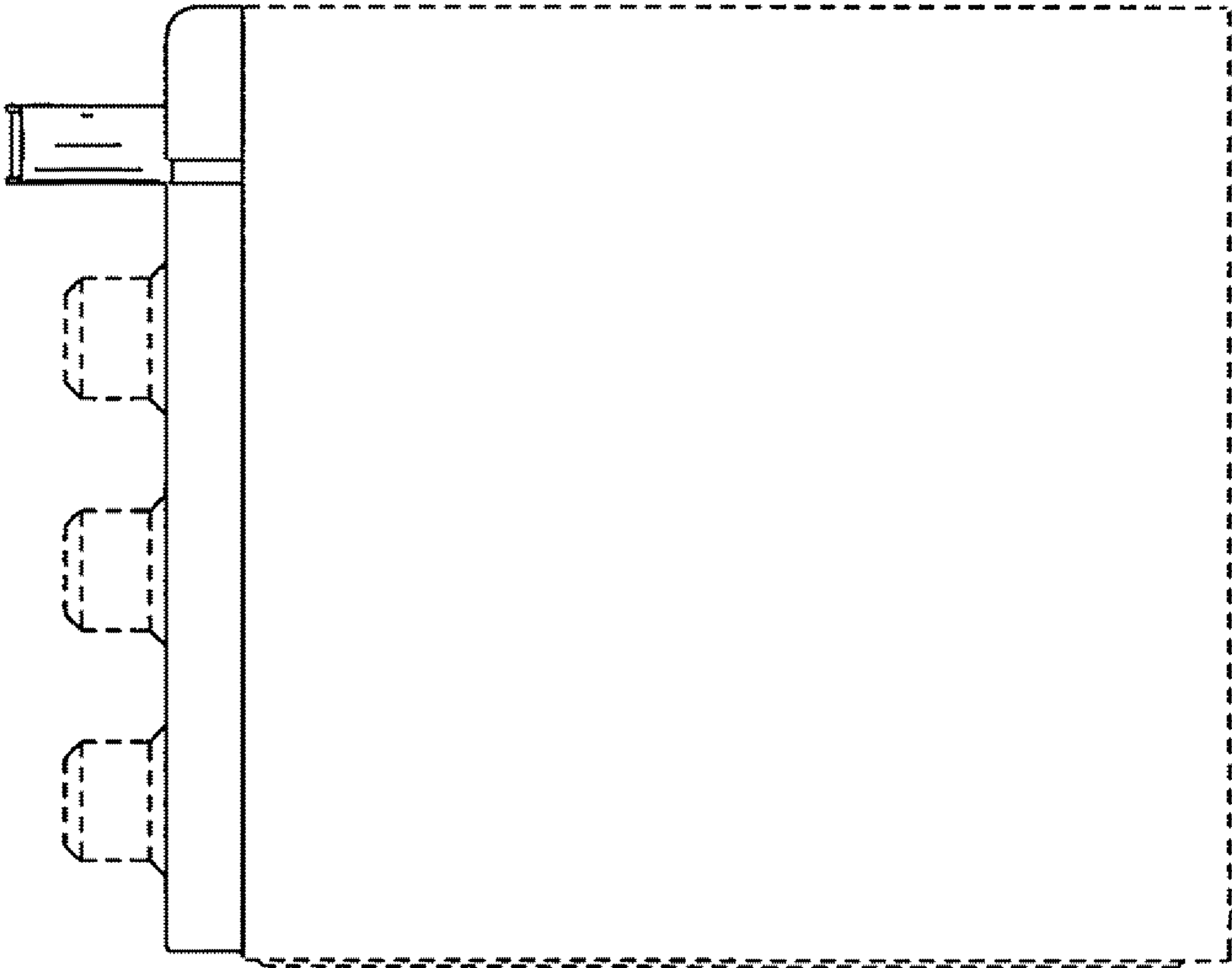


FIG 4

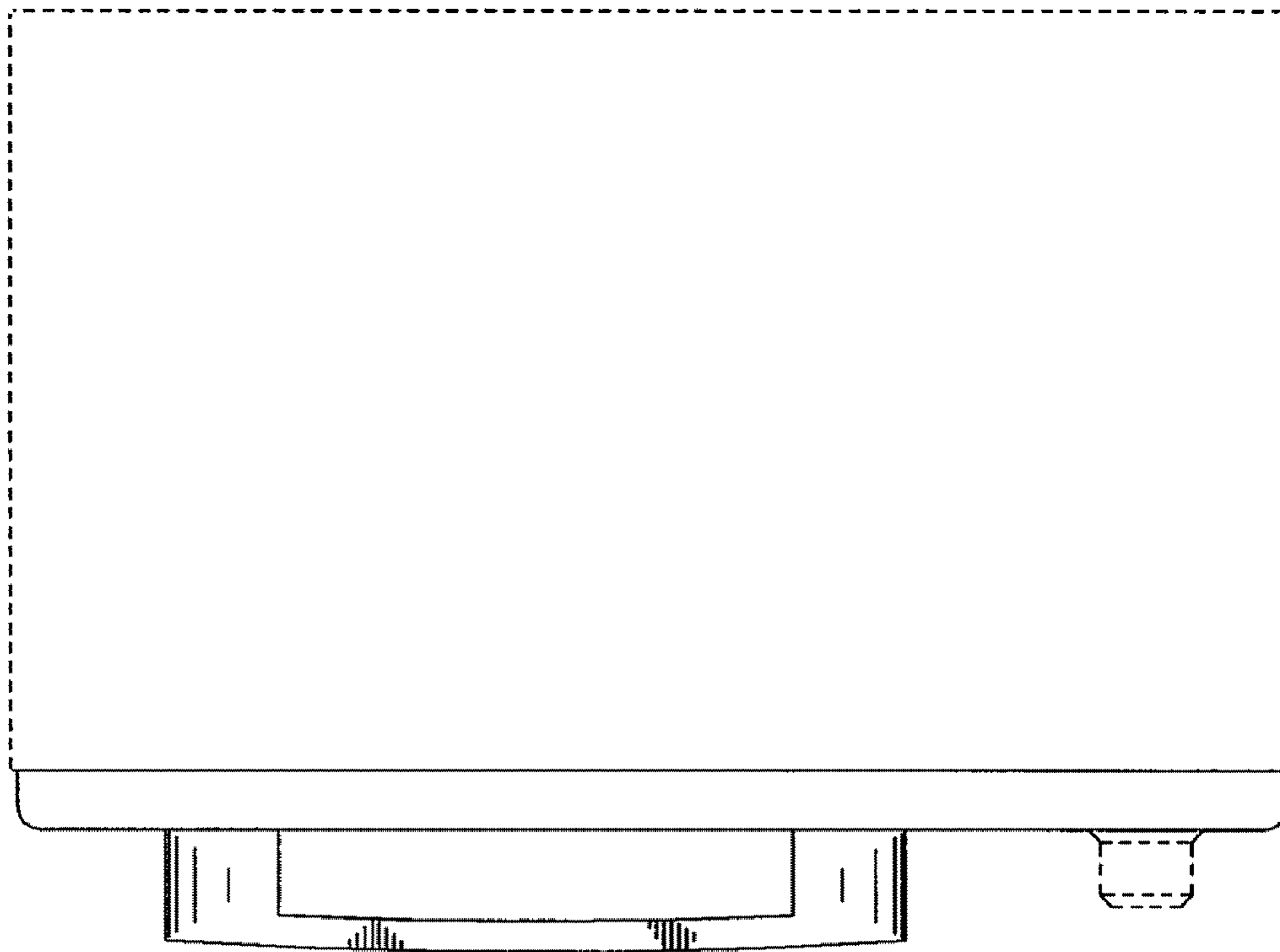


FIG 5