



US00D586178S

(12) **United States Design Patent**
Ku

(10) **Patent No.:** **US D586,178 S**

(45) **Date of Patent:** **** Feb. 10, 2009**

(54) **LID WITH HANDLE FOR A CONTAINER**

(76) **Inventor:** **Chun-Lan Shen Ku**, No. 15, Si-an Lane, Puli Township, Nantou County 545 (TW)

(**) **Term:** **14 Years**

(21) **Appl. No.:** **29/300,752**

(22) **Filed:** **May 6, 2008**

(51) **LOC (9) Cl.** **07-02**

(52) **U.S. Cl.** **D7/392.1**

(58) **Field of Classification Search** D7/317-319, D7/391-392.1, 396.2, 398, 510, 511, 629; D9/435, 440, 444, 447, 449, 450, 454, 503, D9/504; 215/200, 211, 224, 243, 297; 220/700, 220/701, 703, 711, 713-715, 719; 222/473, 222/517

See application file for complete search history.

(56) **References Cited**

U.S. PATENT DOCUMENTS

1,895,759	A *	1/1933	Hagebusch	215/297
D113,894	S *	3/1939	Hacmac	D7/392
D114,536	S *	5/1939	Hacmac	D7/392
2,272,798	A *	2/1942	Hacmac	222/517
2,937,794	A *	5/1960	Quandt	222/473
D247,211	S *	2/1978	Young	D7/392
D258,712	S *	3/1981	Jacobson	D7/317
D389,005	S *	1/1998	Brady	D7/319

D490,266	S *	5/2004	Imai	D7/318
D525,824	S *	8/2006	Exley	D7/392
D536,926	S *	2/2007	Schreitmuller	D7/398
D562,623	S *	2/2008	Nybakke	D7/392

* cited by examiner

Primary Examiner—Holly H Baynham

Assistant Examiner—Cynthia M Chin

(74) *Attorney, Agent, or Firm*—Troxell Law Office PLLC

(57) **CLAIM**

The ornamental design for a lid with handle for a container, as shown and described.

DESCRIPTION

FIG. 1 is a perspective view of a lid with handle for a container showing my new design;

FIG. 2 is a front elevational view thereof;

FIG. 3 is a rear elevational view thereof;

FIG. 4 is a left side view thereof;

FIG. 5 is a right side view thereof;

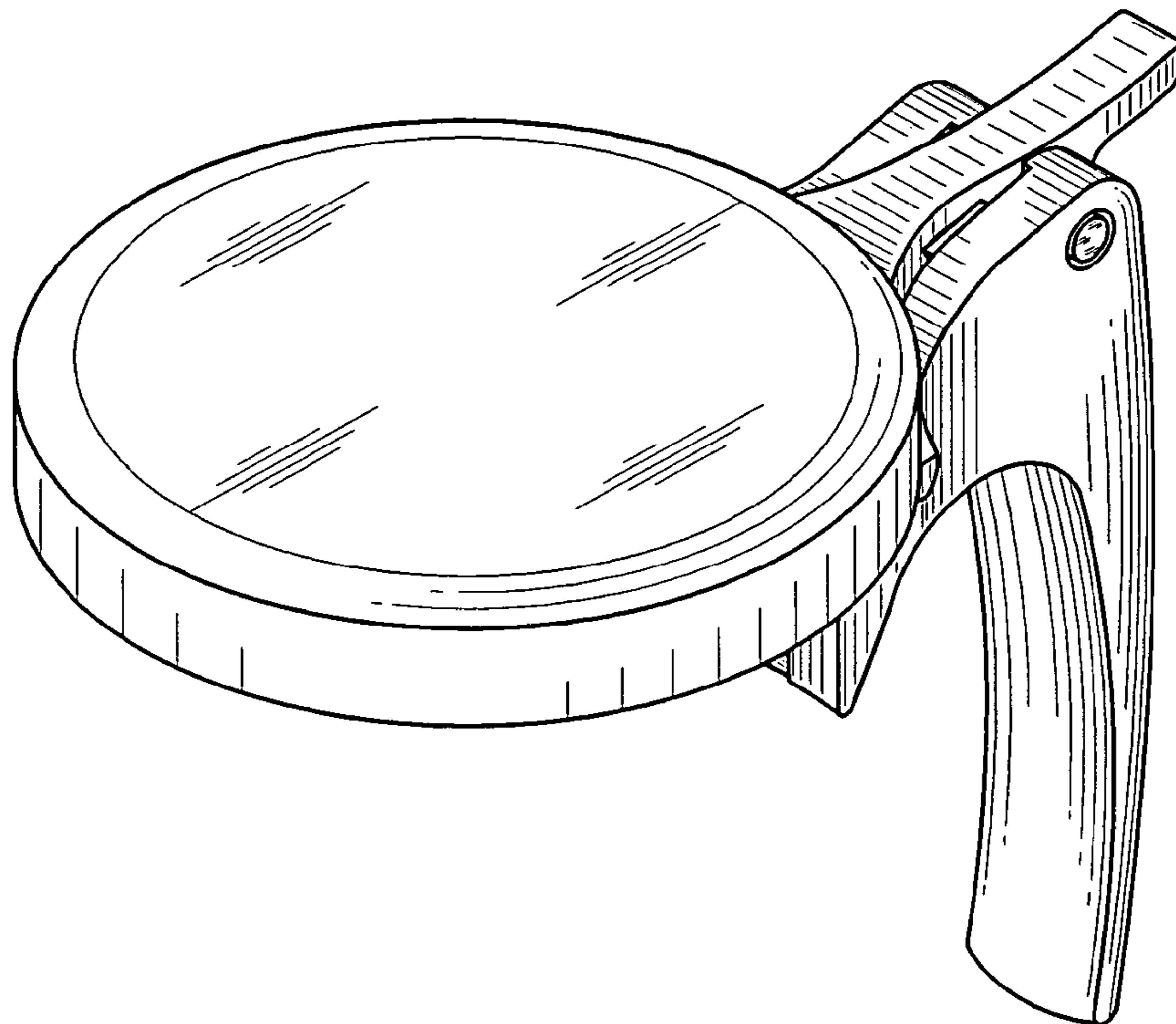
FIG. 6 is a top plan view thereof;

FIG. 7 is a bottom plan view thereof; and,

FIG. 8 is an environmental perspective view showing a lid with handle for a container in use.

The container is shown in broken lines for illustrative purposes only and forms no part of the claimed design

1 Claim, 7 Drawing Sheets



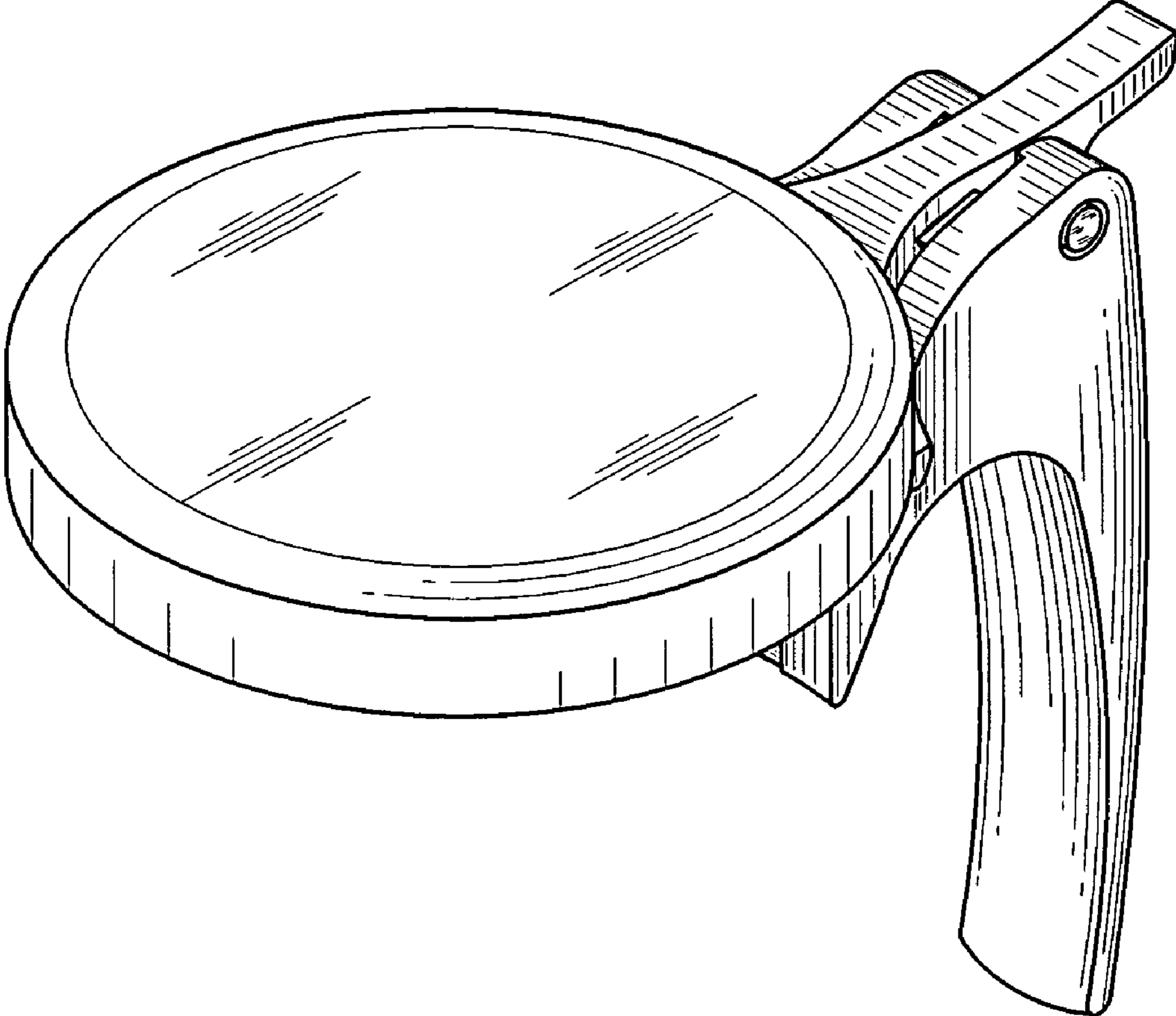


FIG. 1

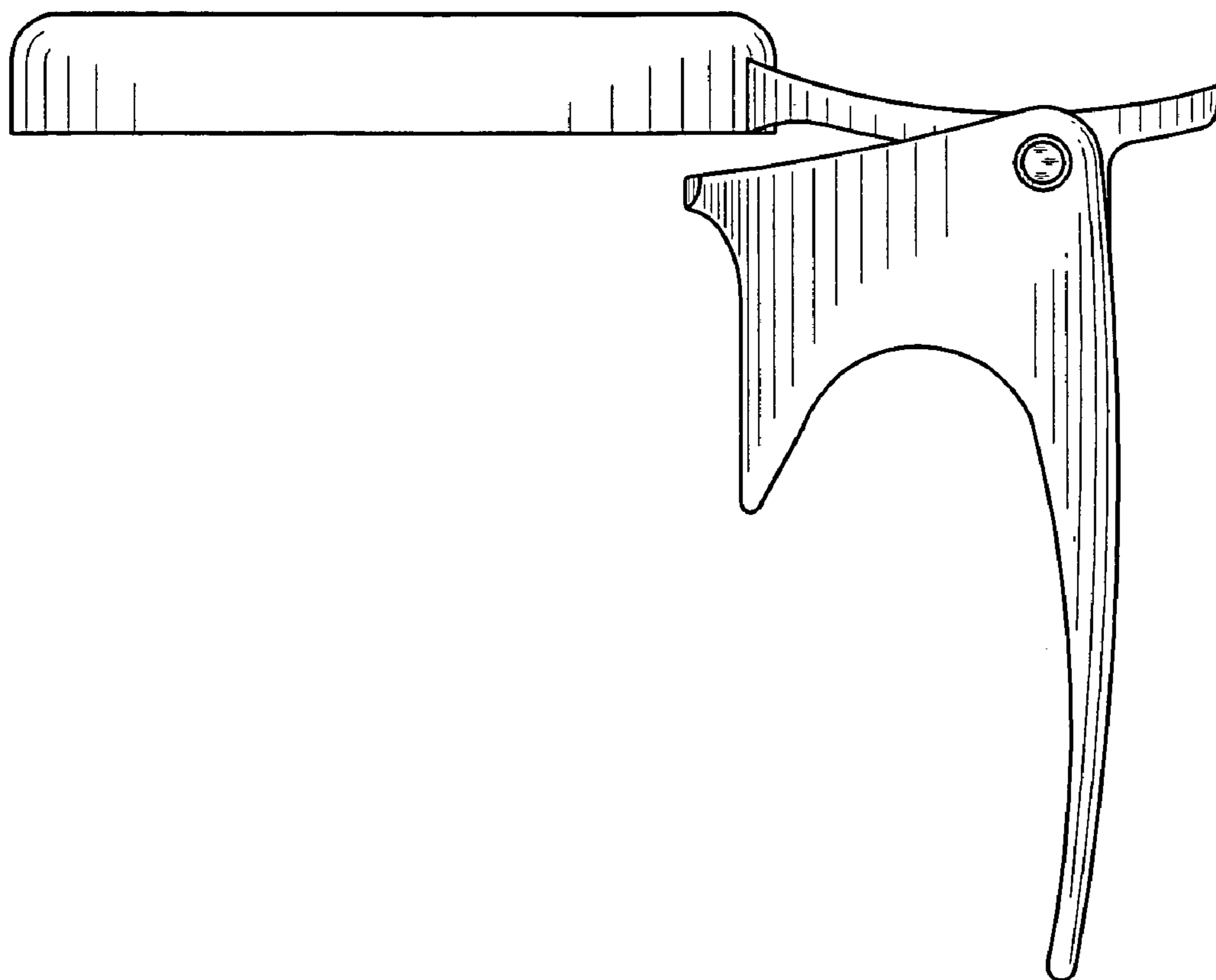


FIG. 2

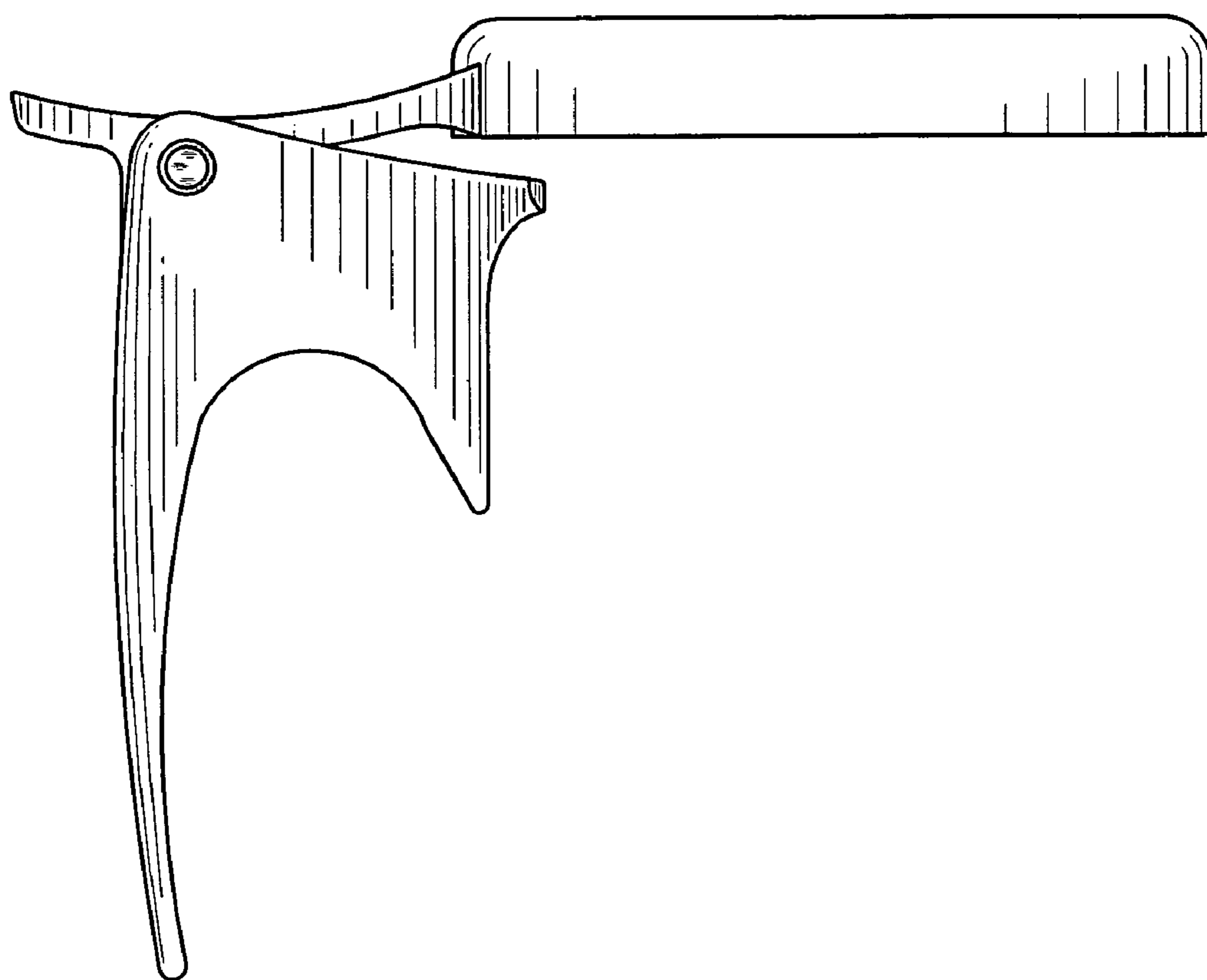


FIG. 3

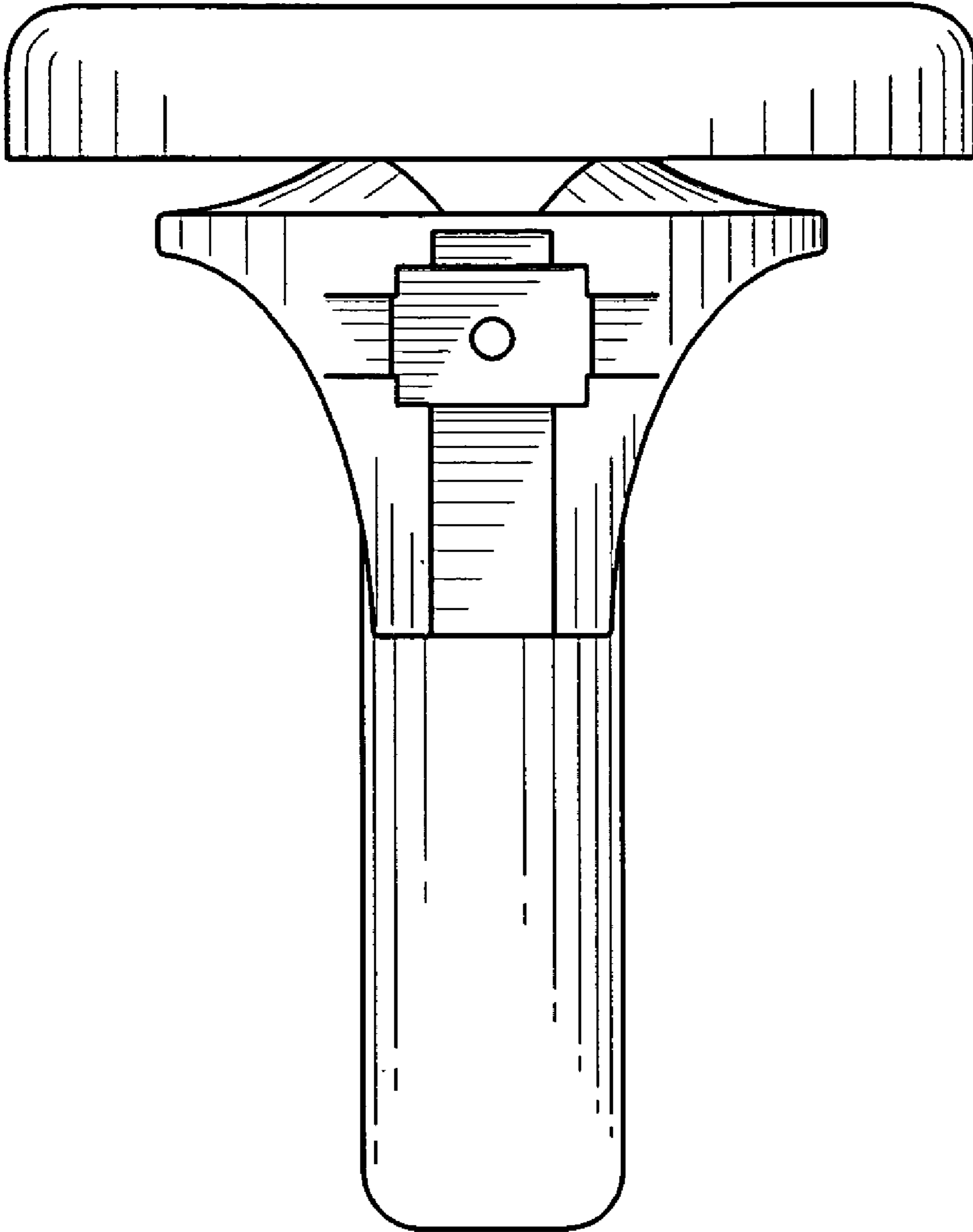


FIG. 4

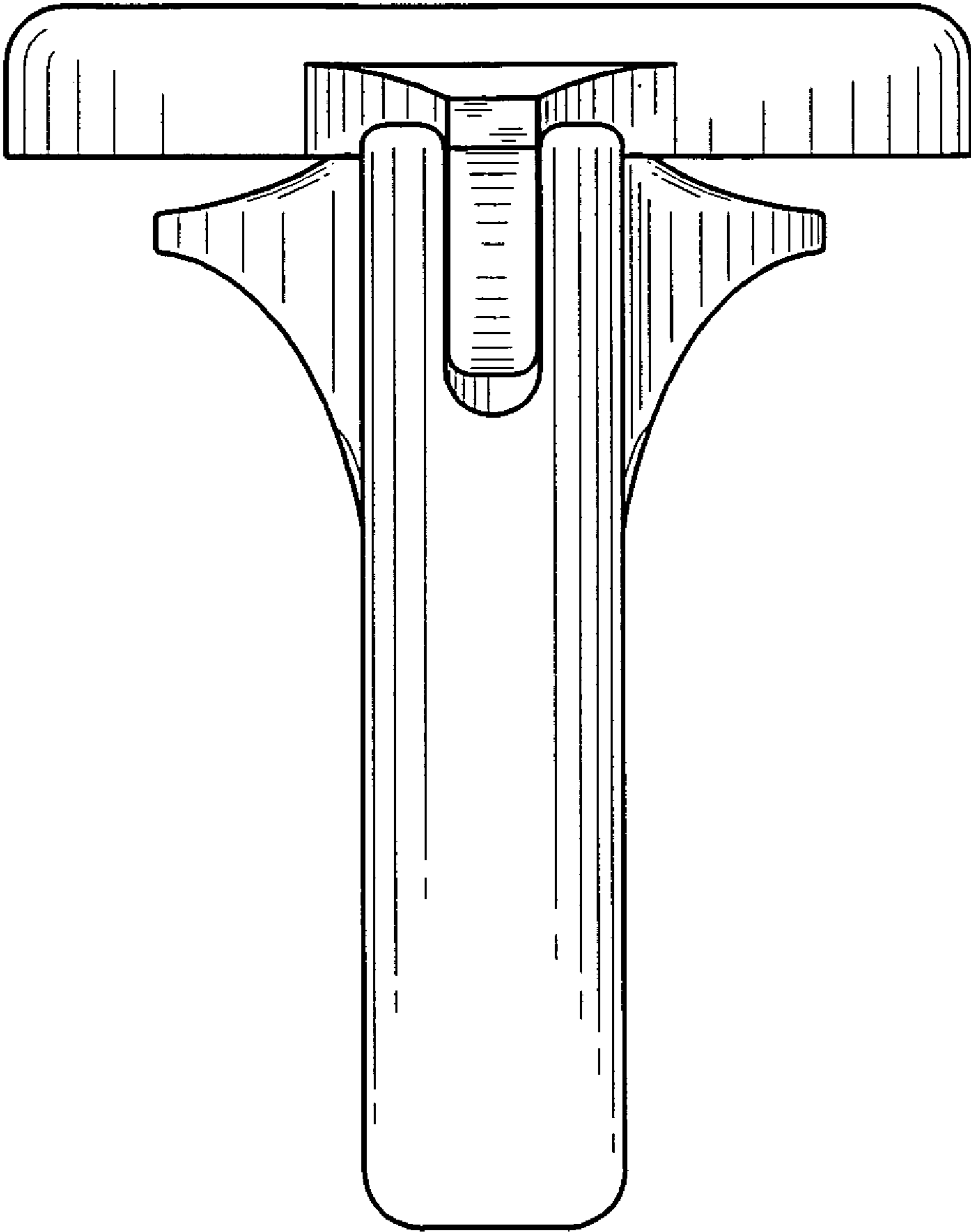


FIG. 5

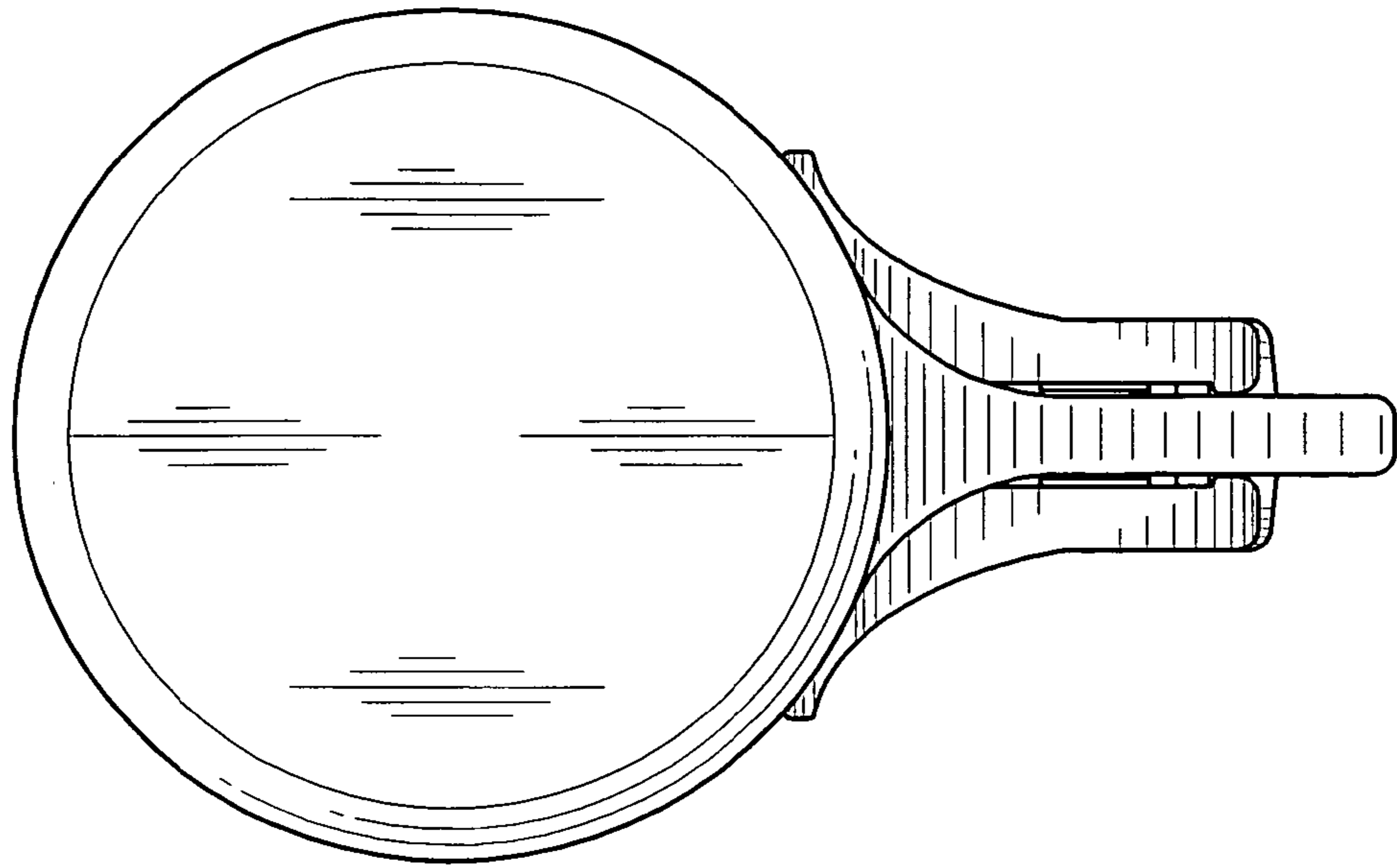


FIG. 6

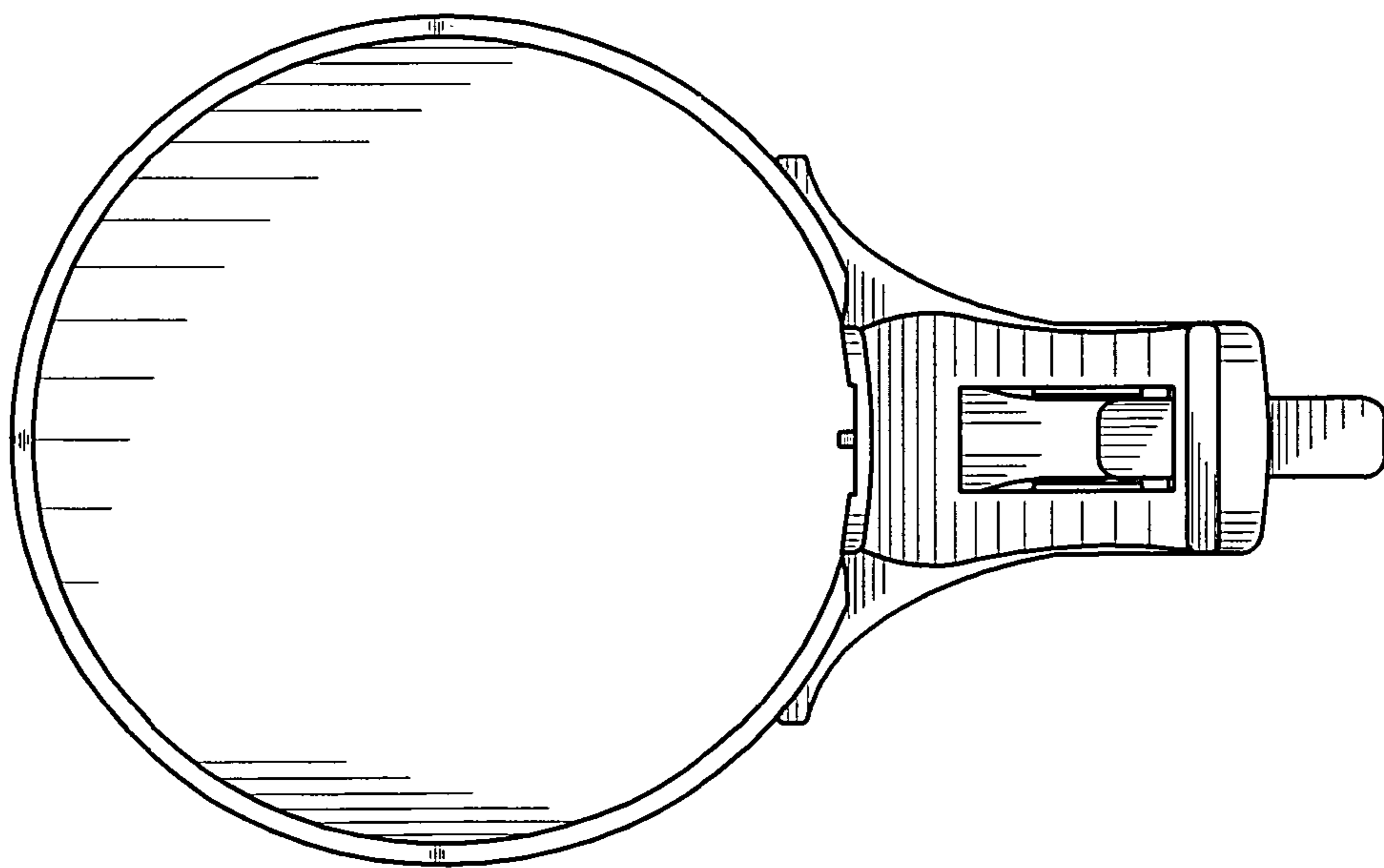


FIG. 7

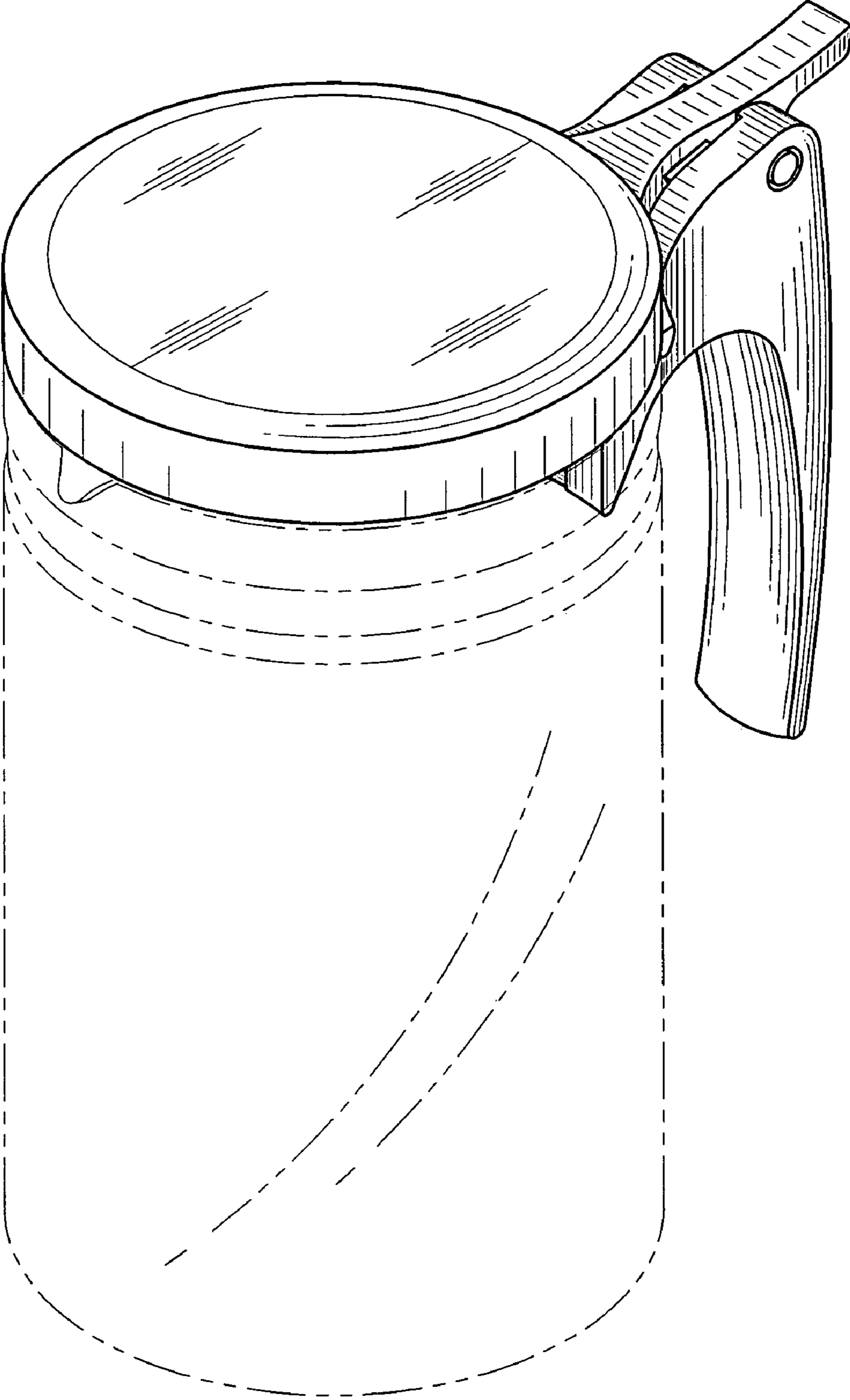


FIG. 8