



US00D586173S

(12) **United States Design Patent**
Kim

(10) **Patent No.:** **US D586,173 S**

(45) **Date of Patent:** **** Feb. 10, 2009**

(54) **MICROWAVE OVEN**

(75) Inventor: **Kang Doo Kim**, Kyunggi-do (KR)

(73) Assignee: **Samsung Electronics Co., Ltd.**, Suwon (KR)

(**) Term: **14 Years**

(21) Appl. No.: **29/294,629**

(22) Filed: **Jan. 18, 2008**

(51) **LOC (9) Cl.** **07-02**

(52) **U.S. Cl.** **D7/351**

(58) **Field of Classification Search** D7/350.1,
D7/350.3, 350.4, 351, 402, 405; 126/19 M,
126/275 E; 219/756-758, 679, 680, 725,
219/727, 734, 435; 99/DIG. 14
See application file for complete search history.

(56) **References Cited**

U.S. PATENT DOCUMENTS

- D315,656 S * 3/1991 Kim D7/351
- D318,397 S * 7/1991 Jung D7/351
- D452,410 S * 12/2001 Ichimura D7/351
- D509,399 S * 9/2005 Kanza D7/351
- D522,800 S * 6/2006 Lee et al. D7/351

- D530,973 S * 10/2006 Lee et al. D7/351
- D532,645 S * 11/2006 Lee D7/351
- D534,758 S * 1/2007 Lee et al. D7/351
- D540,105 S * 4/2007 Lee et al. D7/351
- D545,611 S * 7/2007 Sakata D7/351

* cited by examiner

Primary Examiner—Ruth McInroy

(74) *Attorney, Agent, or Firm*—Ladas and Parry LLP

(57) **CLAIM**

I/we claim the ornamental design for microwave oven, as shown.

DESCRIPTION

FIG. 1 is a front/right-side/top perspective view of microwave oven showing our new design;

FIG. 2 is a front-side elevational view thereof;

FIG. 3 is a rear-side elevational view thereof;

FIG. 4 is a left-side elevational view thereof;

FIG. 5 is a right-side elevational view thereof;

FIG. 6 is a top-side elevational view thereof; and,

FIG. 7 is a bottom-side elevational view thereof.

1 Claim, 4 Drawing Sheets

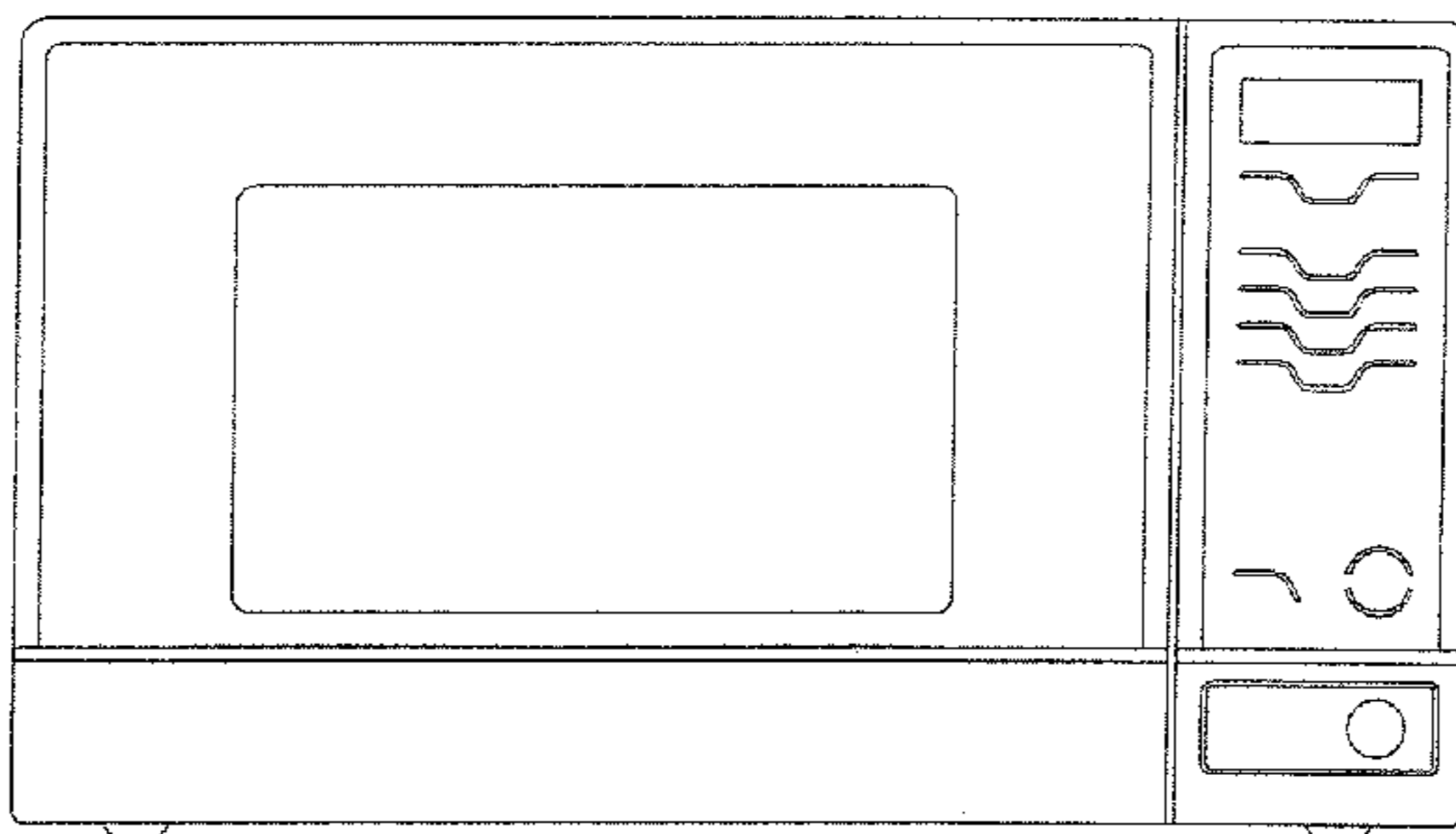
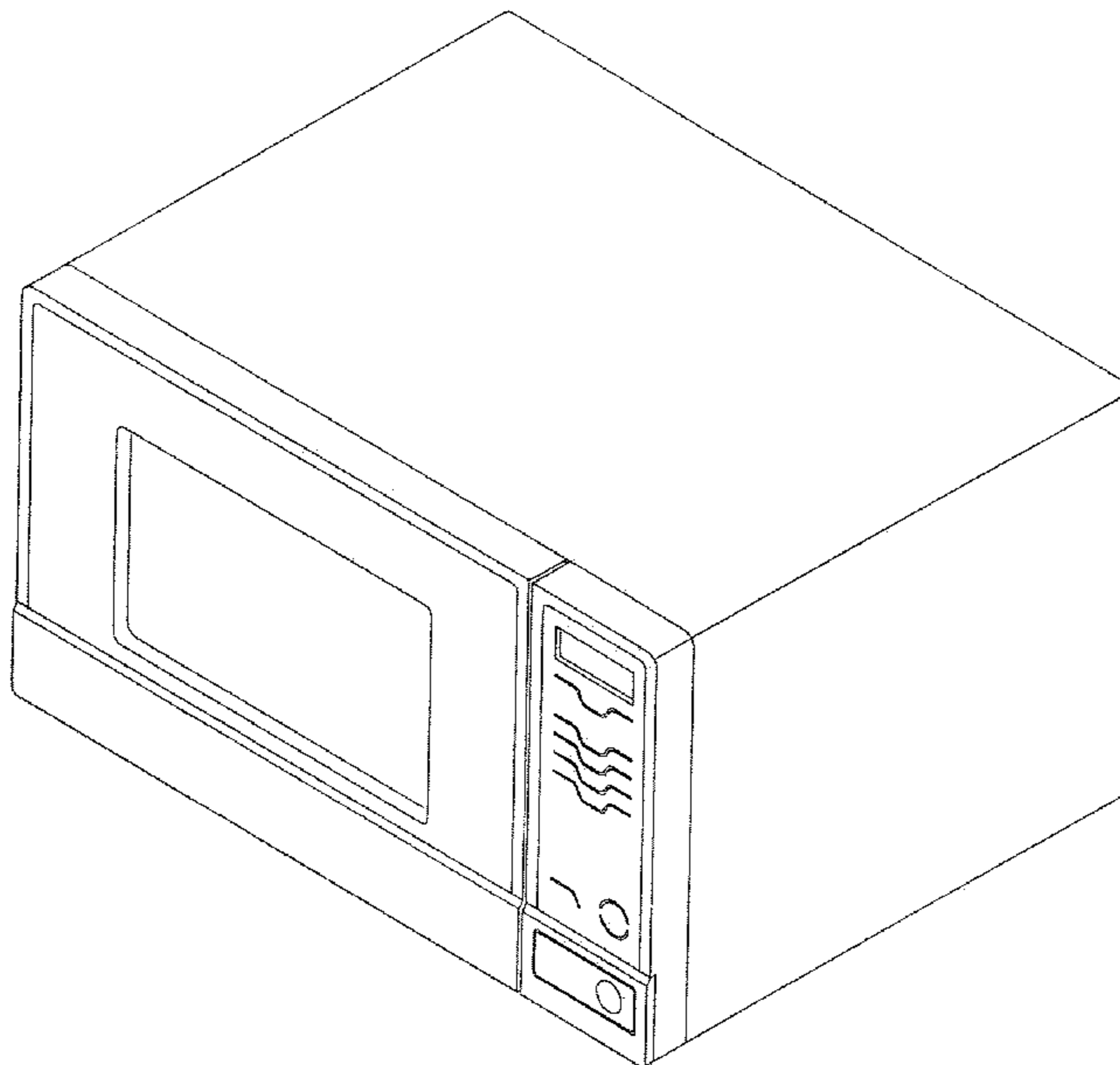


FIG. 1

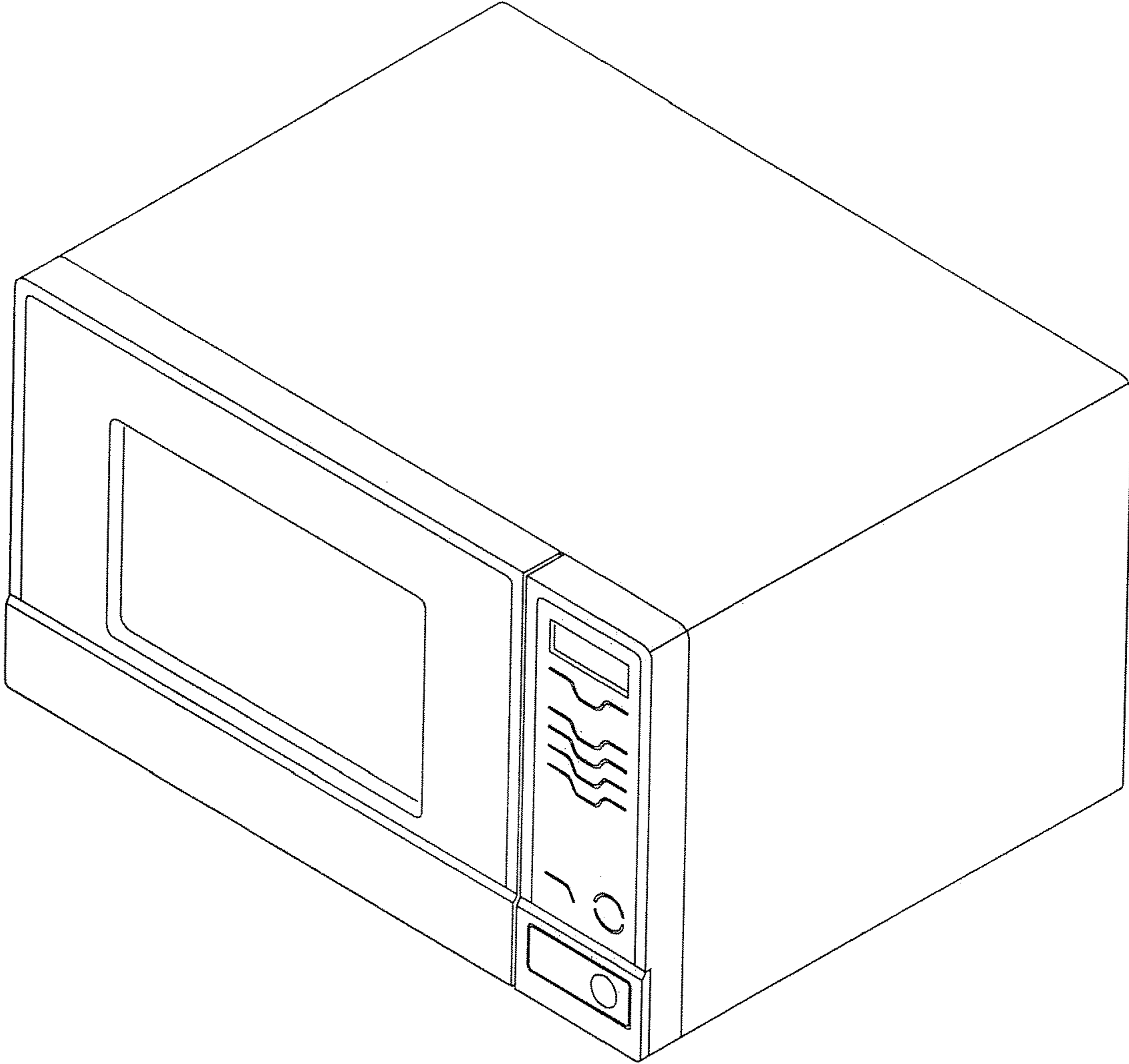


FIG. 2

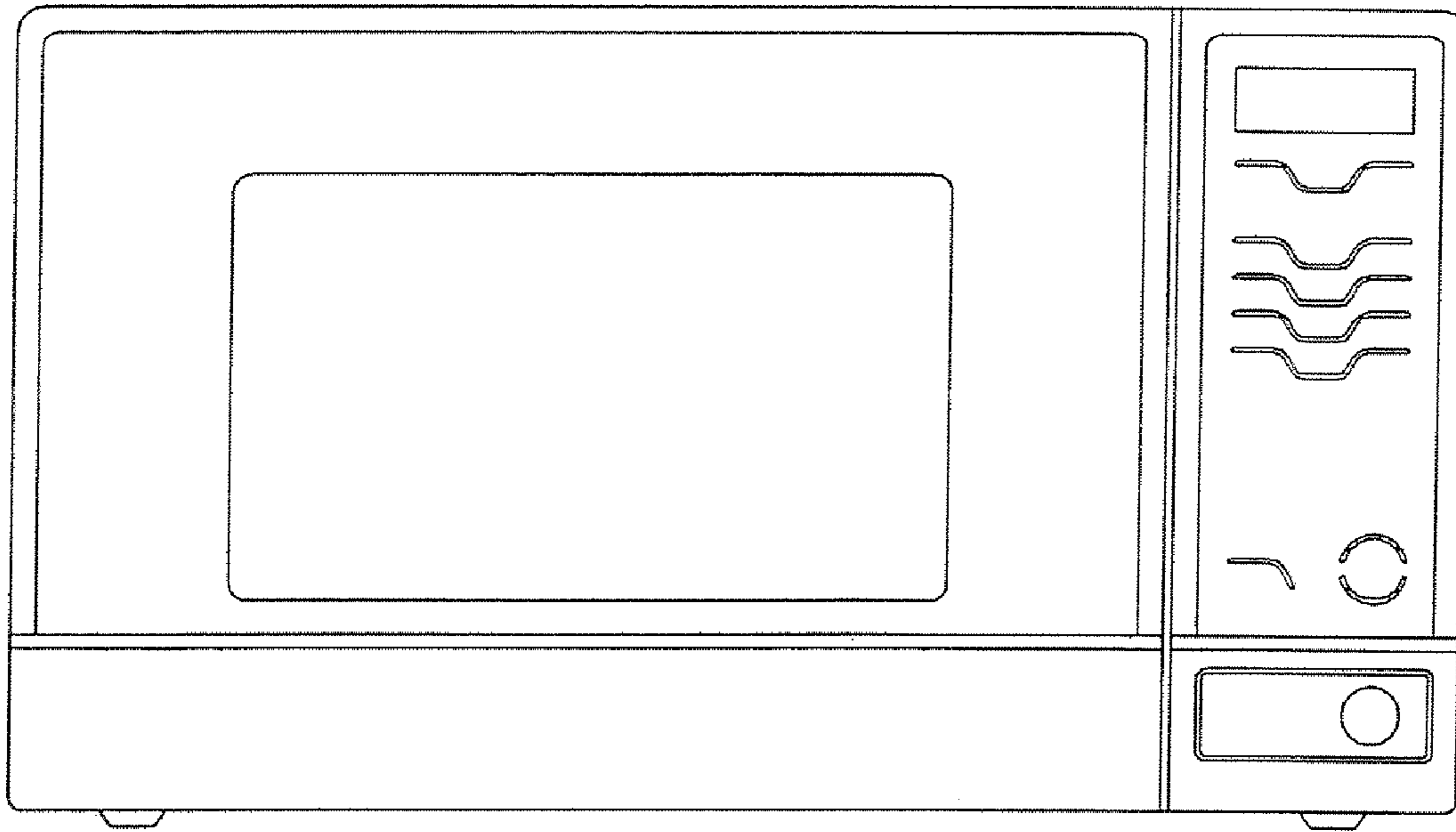


FIG. 3

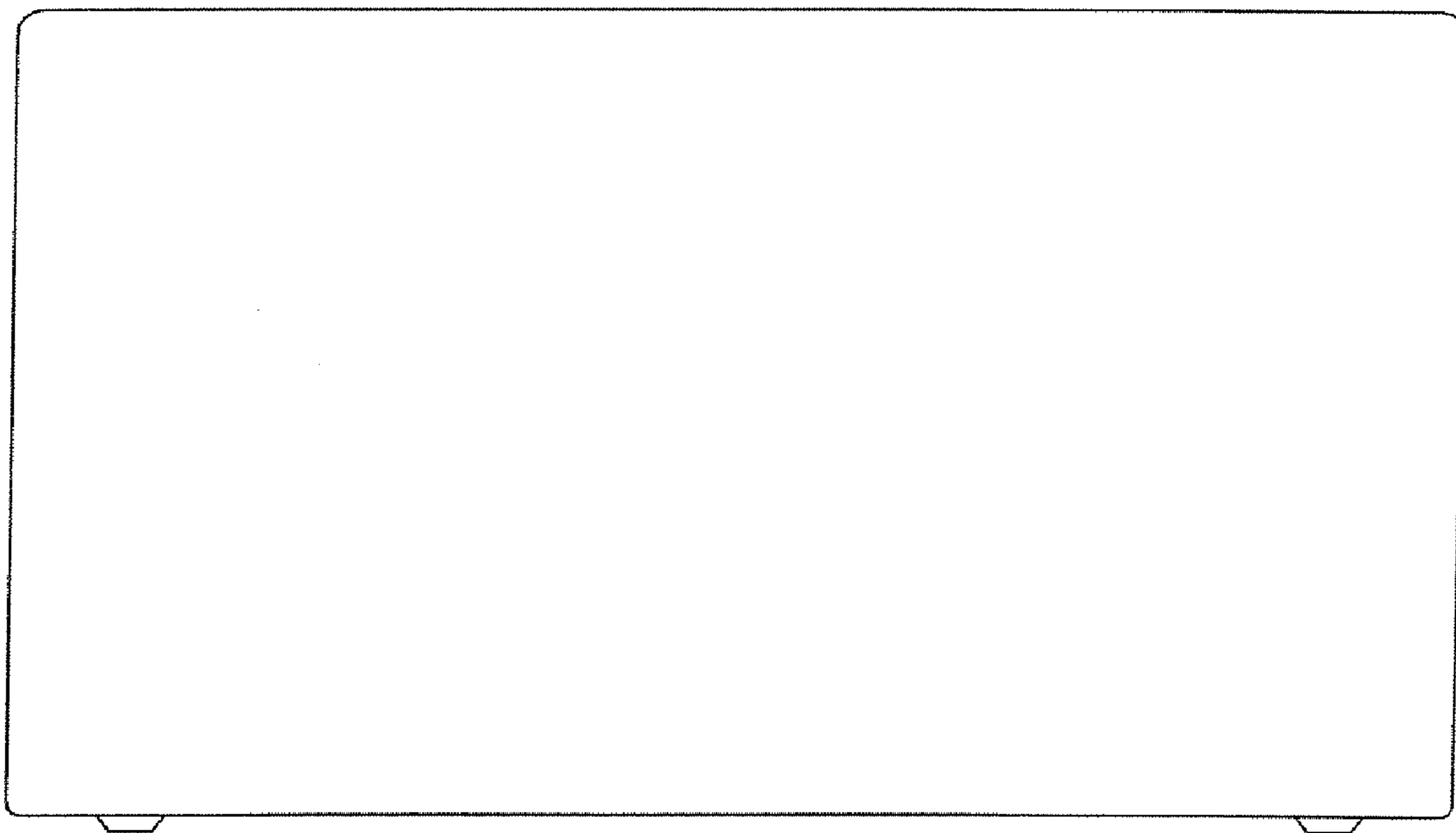


FIG. 4

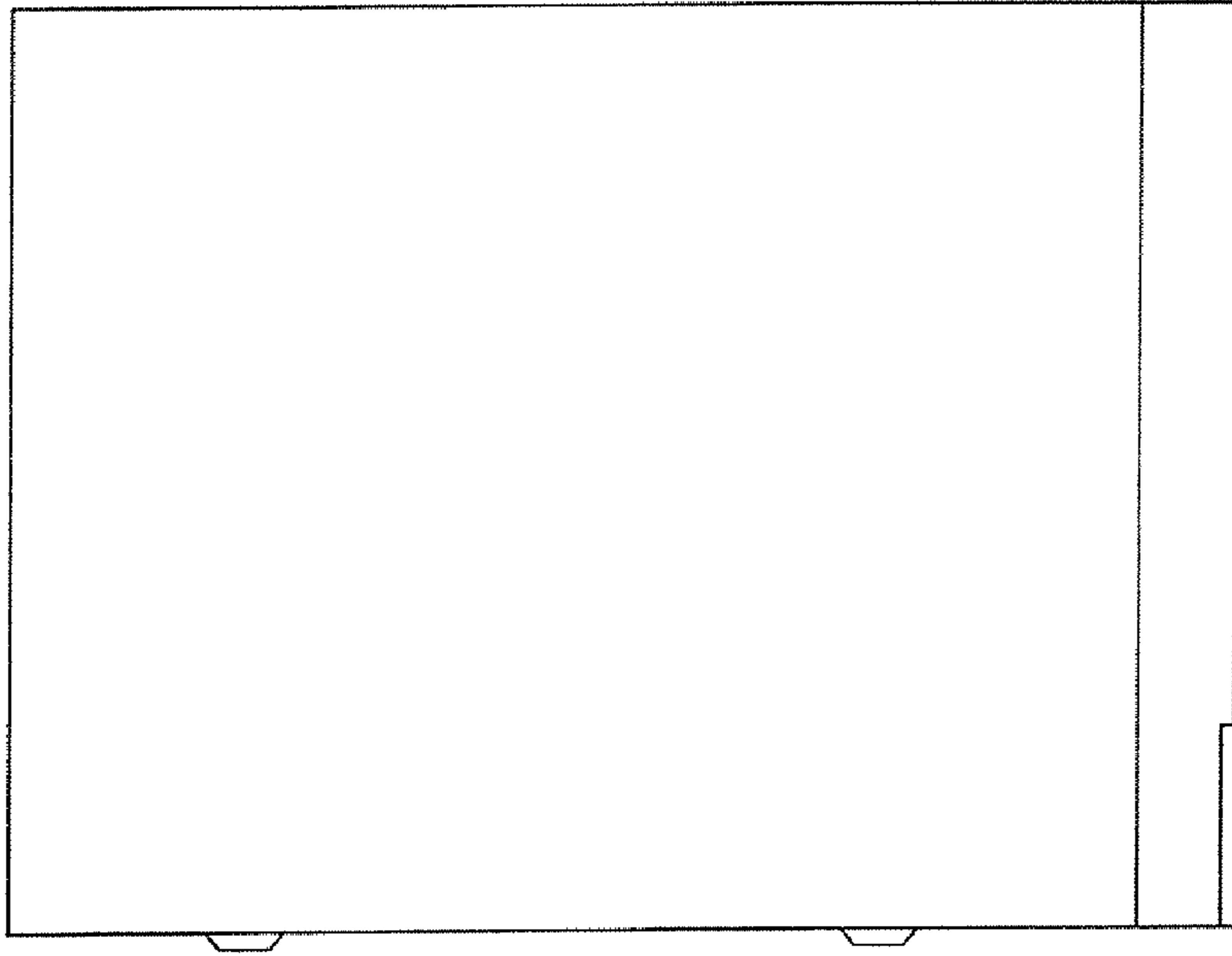


FIG. 5

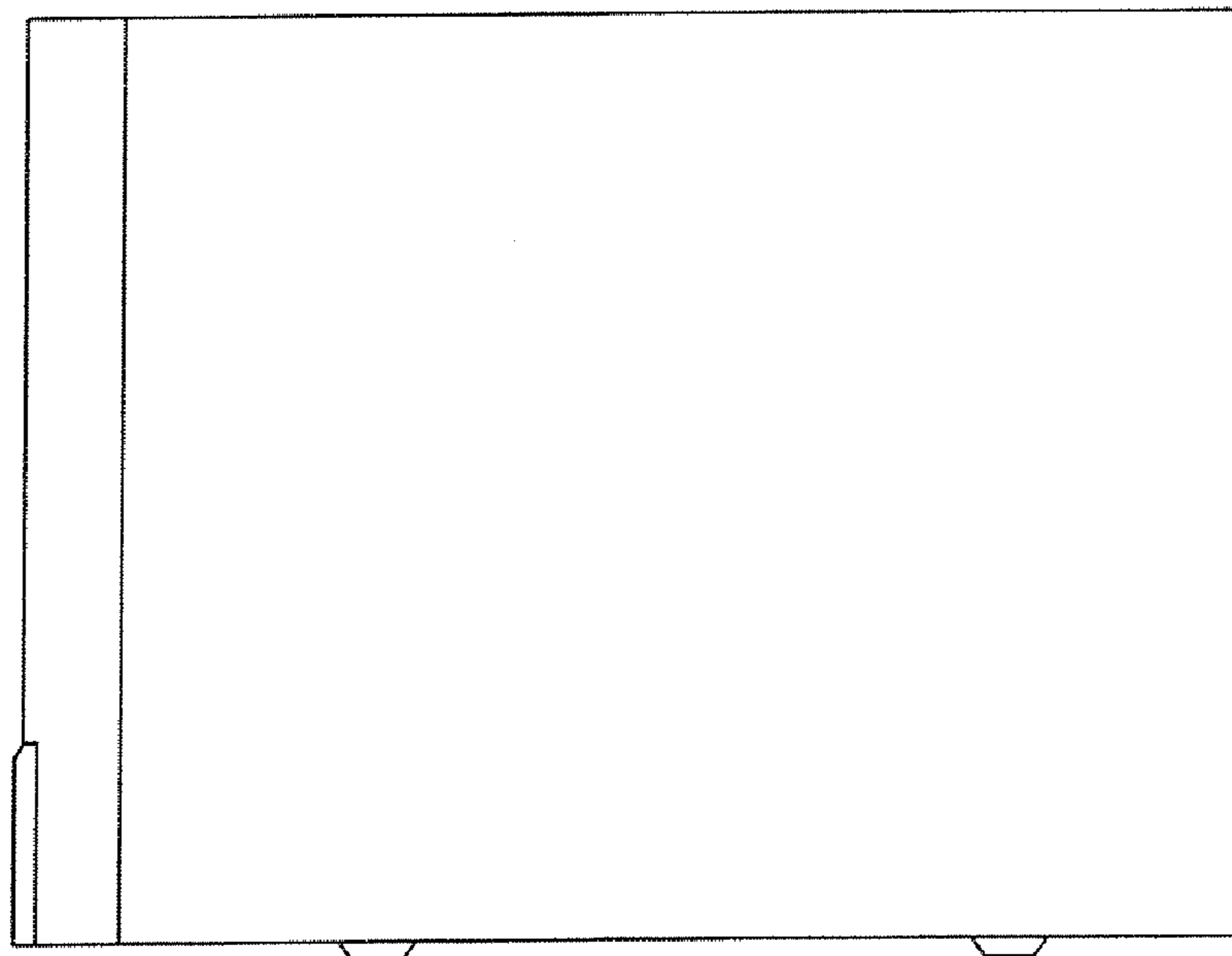


FIG. 6

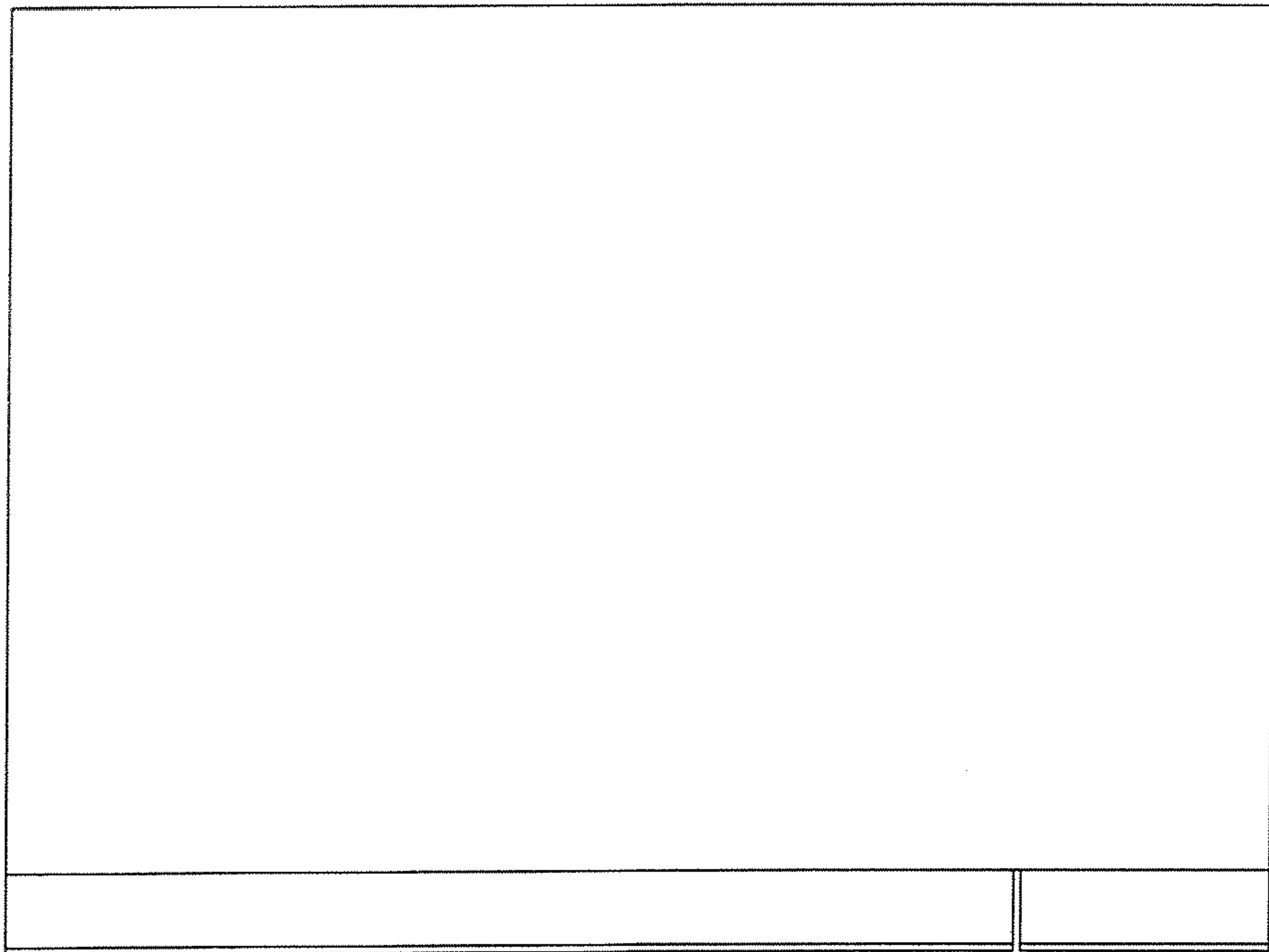


FIG. 7

