



US00D586172S

(12) **United States Design Patent**  
**Brizio**

(10) **Patent No.:** **US D586,172 S**

(45) **Date of Patent:** **\*\* Feb. 10, 2009**

(54) **COFFEE MACHINE**

(74) *Attorney, Agent, or Firm*—Ladas & Parry, LLP

(76) Inventor: **Adriana Brizio**, Via Ceresio, 18 - 6977,  
Ruvigliana (CH)

(57) **CLAIM**

(\*\*) Term: **14 Years**

The ornamental design for the coffee machine, as shown and described.

(21) Appl. No.: **29/288,619**

**DESCRIPTION**

(22) Filed: **Jun. 14, 2007**

FIG. 1 is a perspective view of a first embodiment of the coffee machine.

(30) **Foreign Application Priority Data**

FIG. 2 is a top view of the embodiment of FIG. 1.

Dec. 20, 2006 (EM) ..... 000641253

FIG. 3 is a left side view of the embodiment of FIG. 1.

(51) **LOC (9) Cl.** ..... **07-01**

FIG. 4 is a right side view of the embodiment of FIG. 1.

(52) **U.S. Cl.** ..... **D7/319; D7/317**

FIG. 5 is a front view of the embodiment of FIG. 1.

(58) **Field of Classification Search** ..... D7/300-322,  
D7/516, 533, 536; D23/207, 209; 99/297,  
99/319; 210/282, 635; 222/164, 165, 465.1,  
222/466

FIG. 6 is a rear view of the embodiment of FIG. 1.

See application file for complete search history.

FIG. 7 is a bottom view of the embodiment of FIG. 1.

FIG. 8 is a perspective view of a second embodiment of the coffee machine.

(56) **References Cited**

FIG. 9 is a top view of the embodiment of FIG. 8.

**U.S. PATENT DOCUMENTS**

FIG. 10 is a left side view of the embodiment of FIG. 8.

2,459,498 A \* 1/1949 Cameron ..... 99/287

FIG. 11 is a right side view of the embodiment of FIG. 8.

D368,404 S \* 4/1996 Zive ..... D7/317

FIG. 12 is a front view of the embodiment of FIG. 8.

D542,078 S \* 5/2007 Bodum ..... D7/319

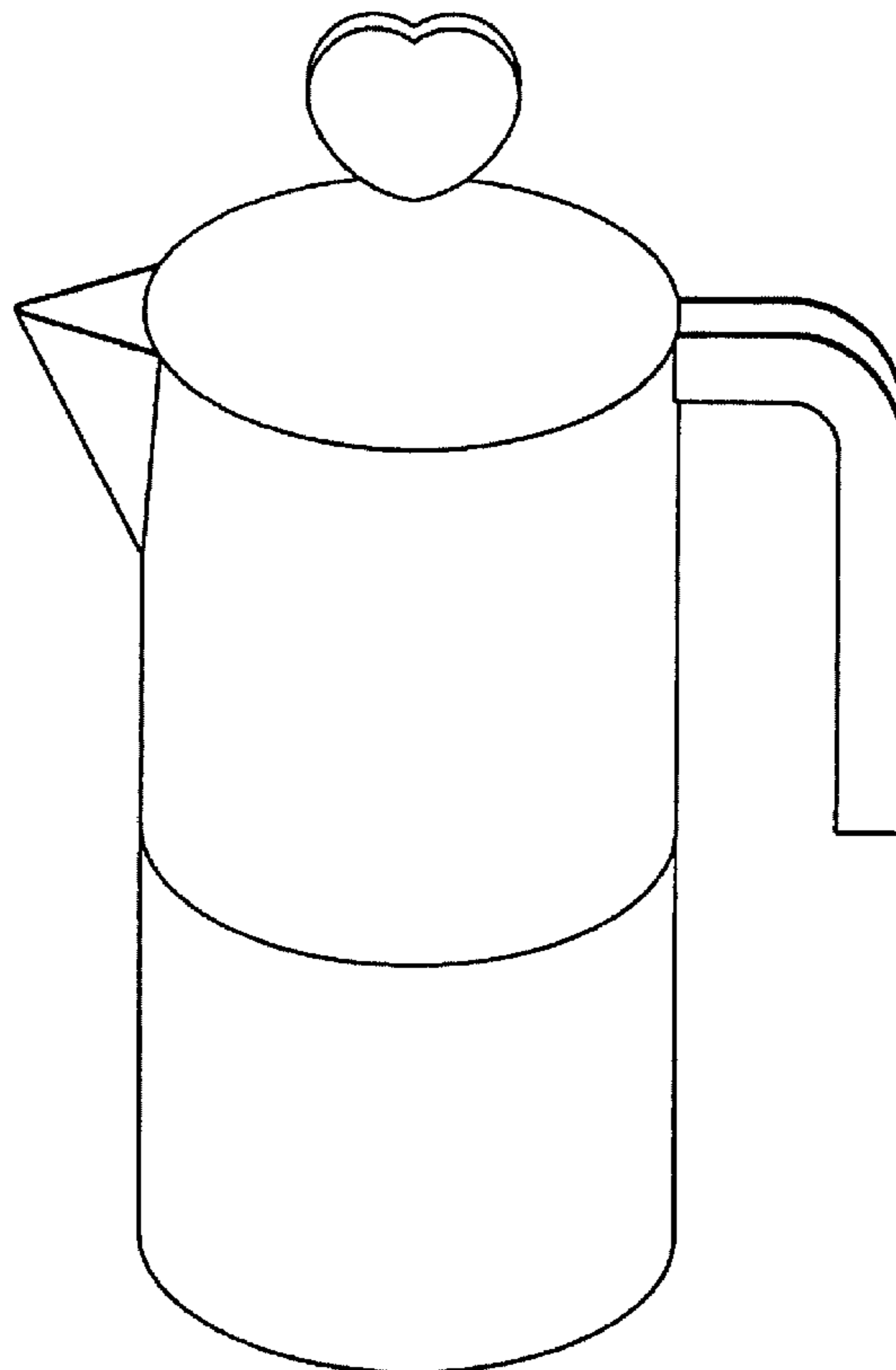
FIG. 13 is a rear view of the embodiment of FIG. 8; and,

\* cited by examiner

FIG. 14 is a bottom view of the embodiment of FIG. 8.

*Primary Examiner*—Antoine D Davis

**1 Claim, 10 Drawing Sheets**



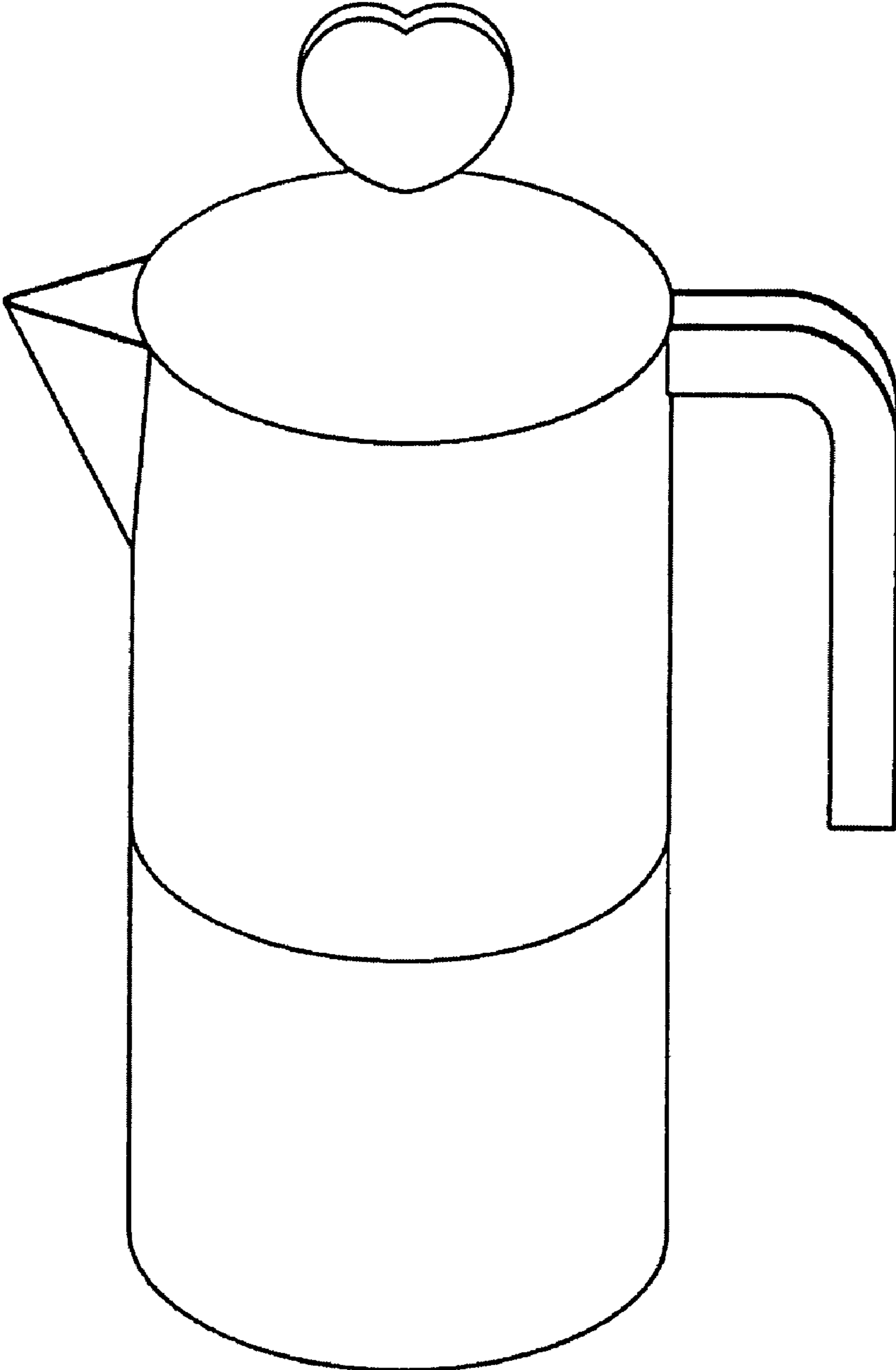


FIG. 1

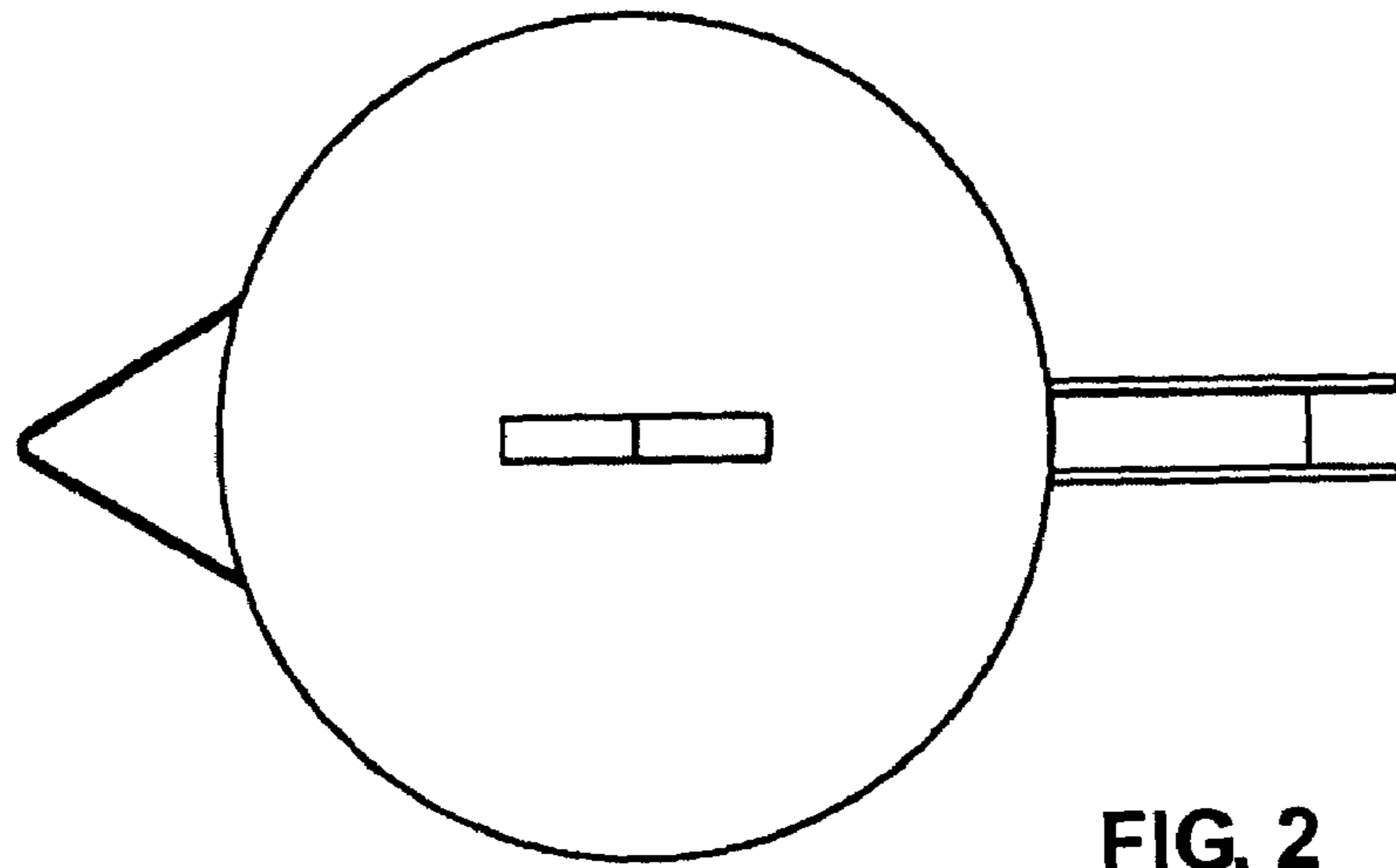


FIG. 2

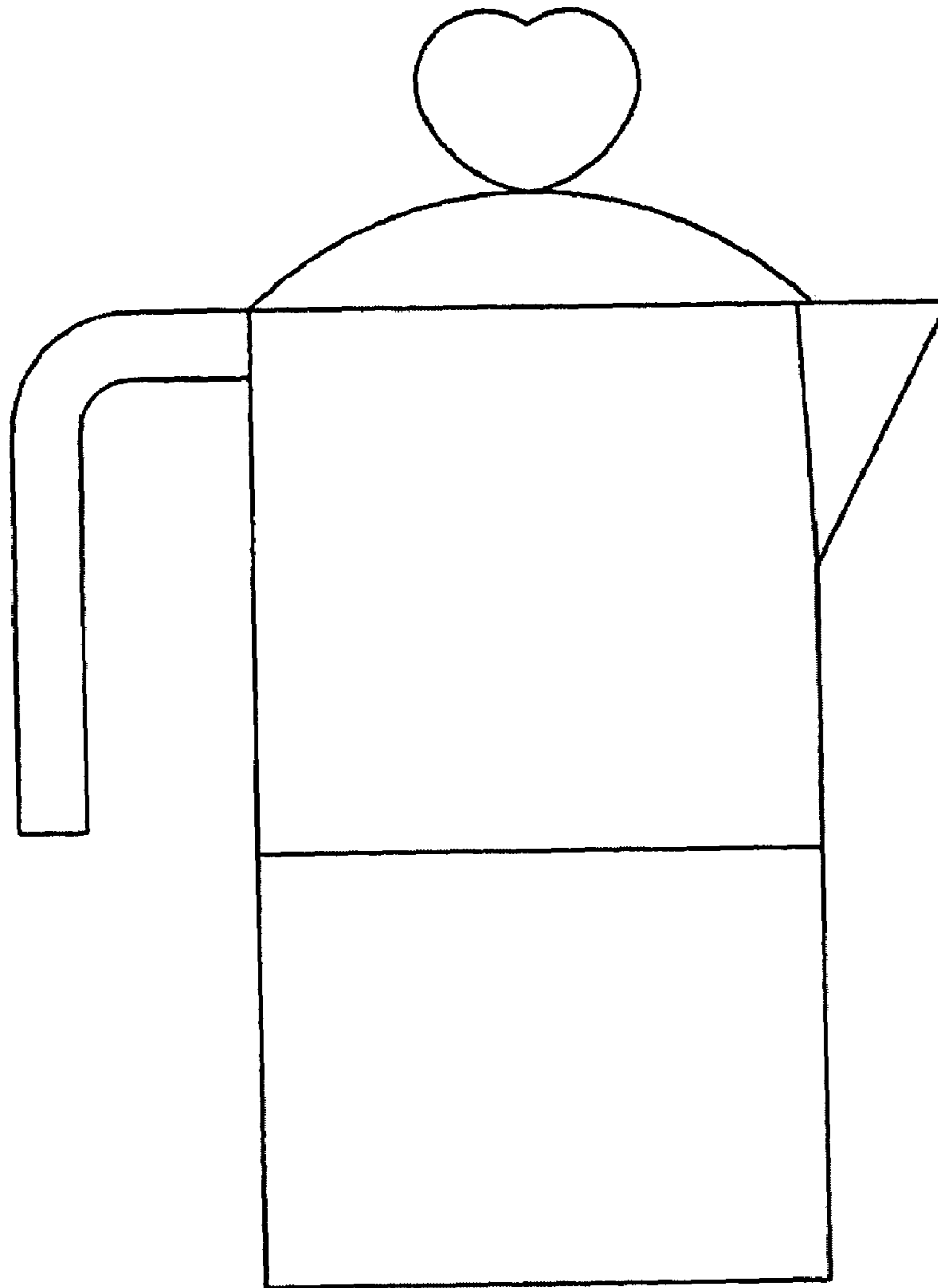


FIG. 3

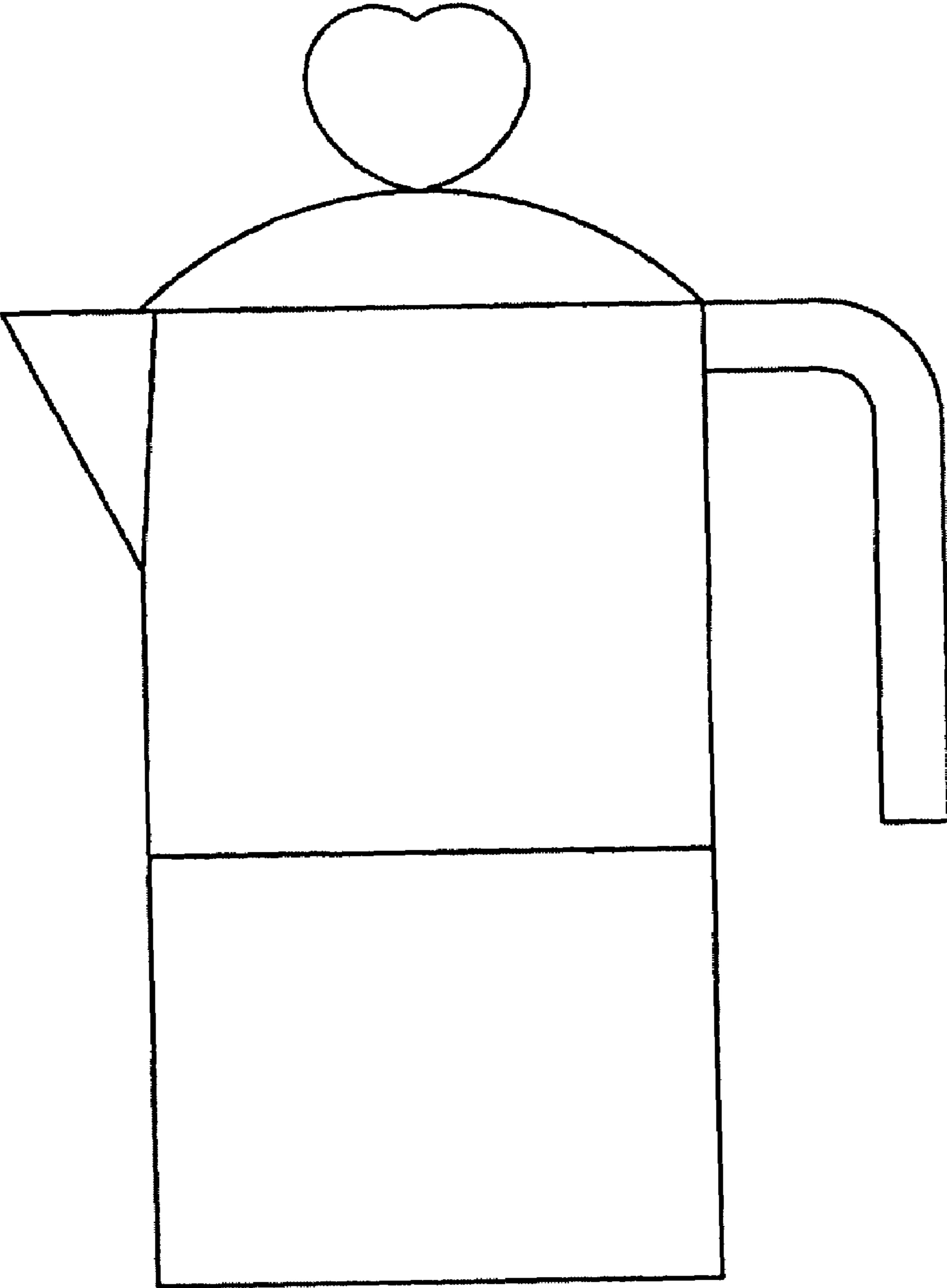


FIG. 4

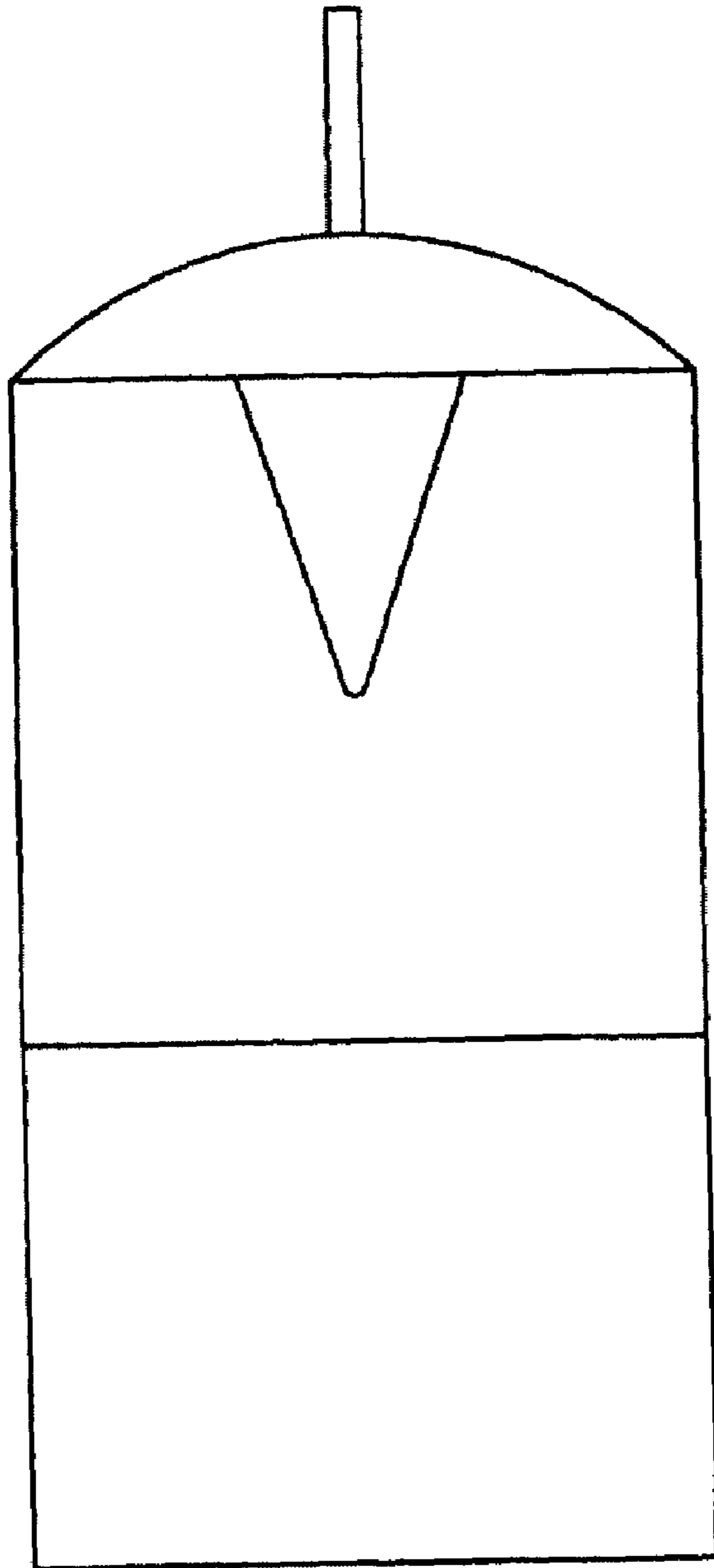


FIG. 5

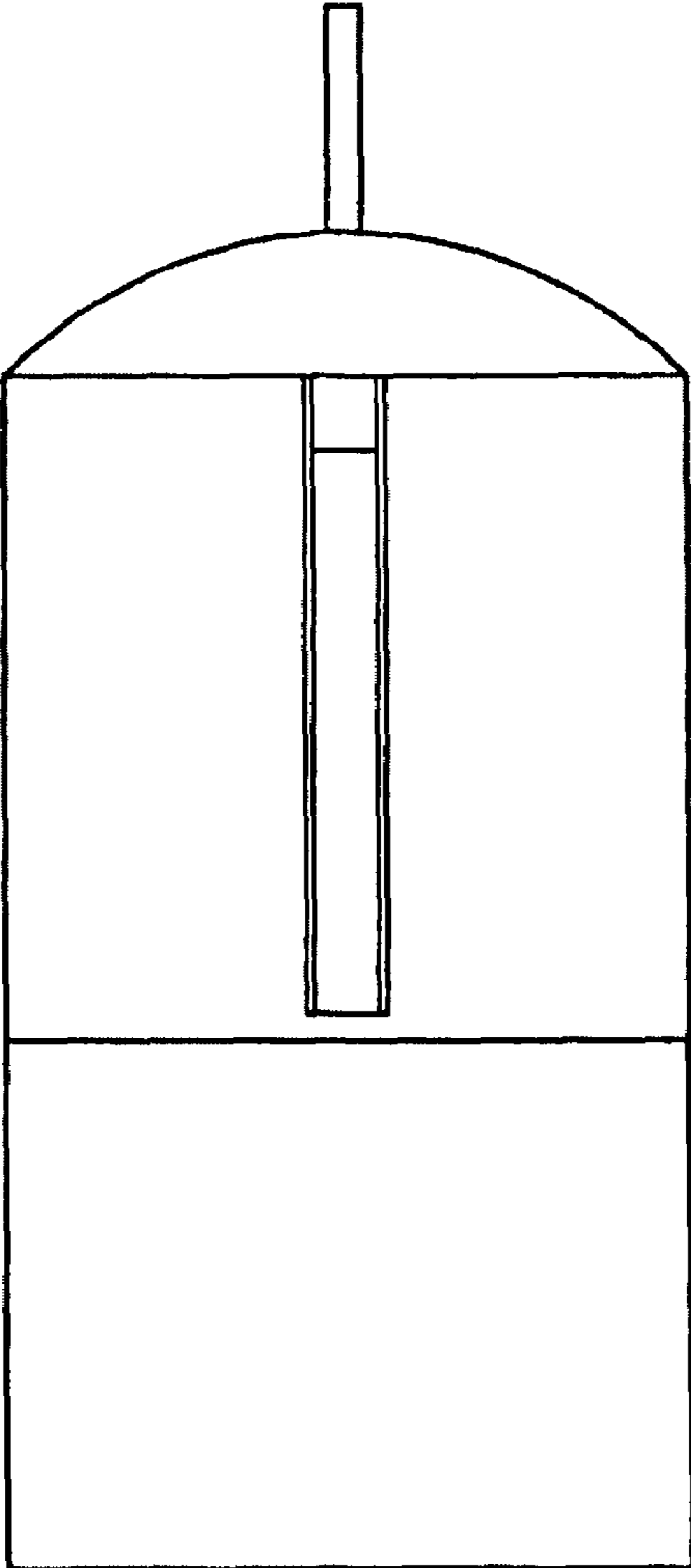


FIG. 6

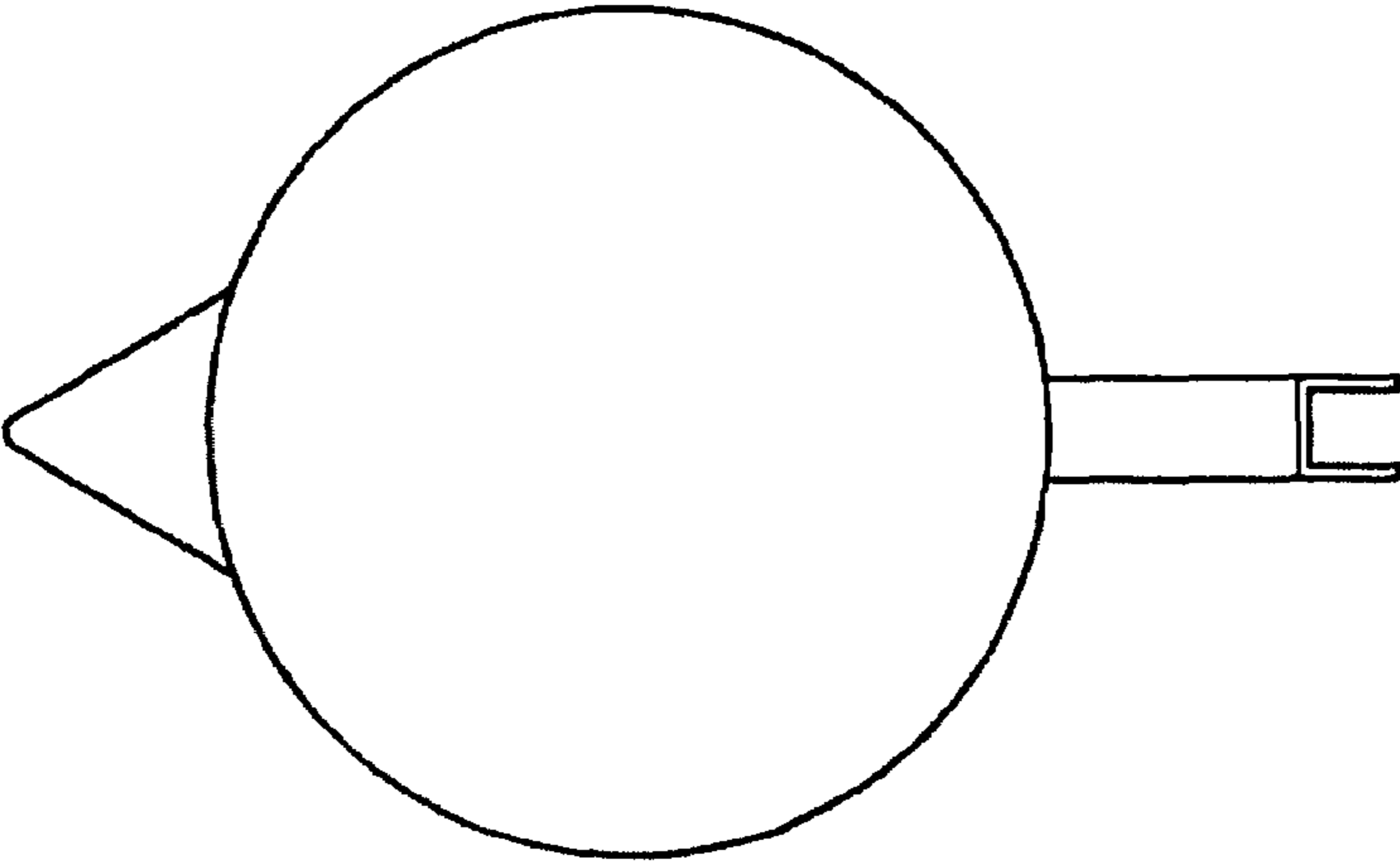


FIG. 7

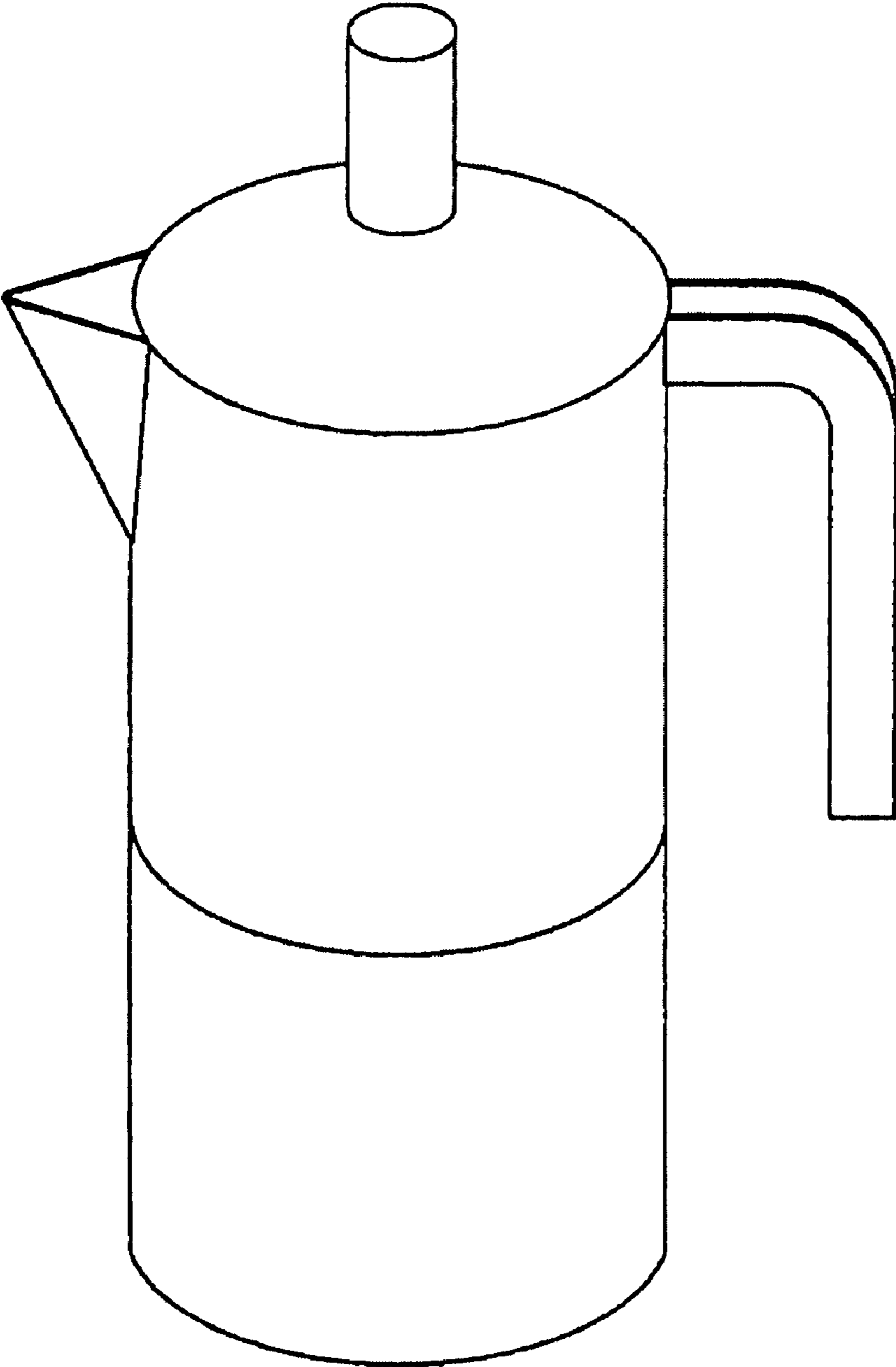


FIG. 8

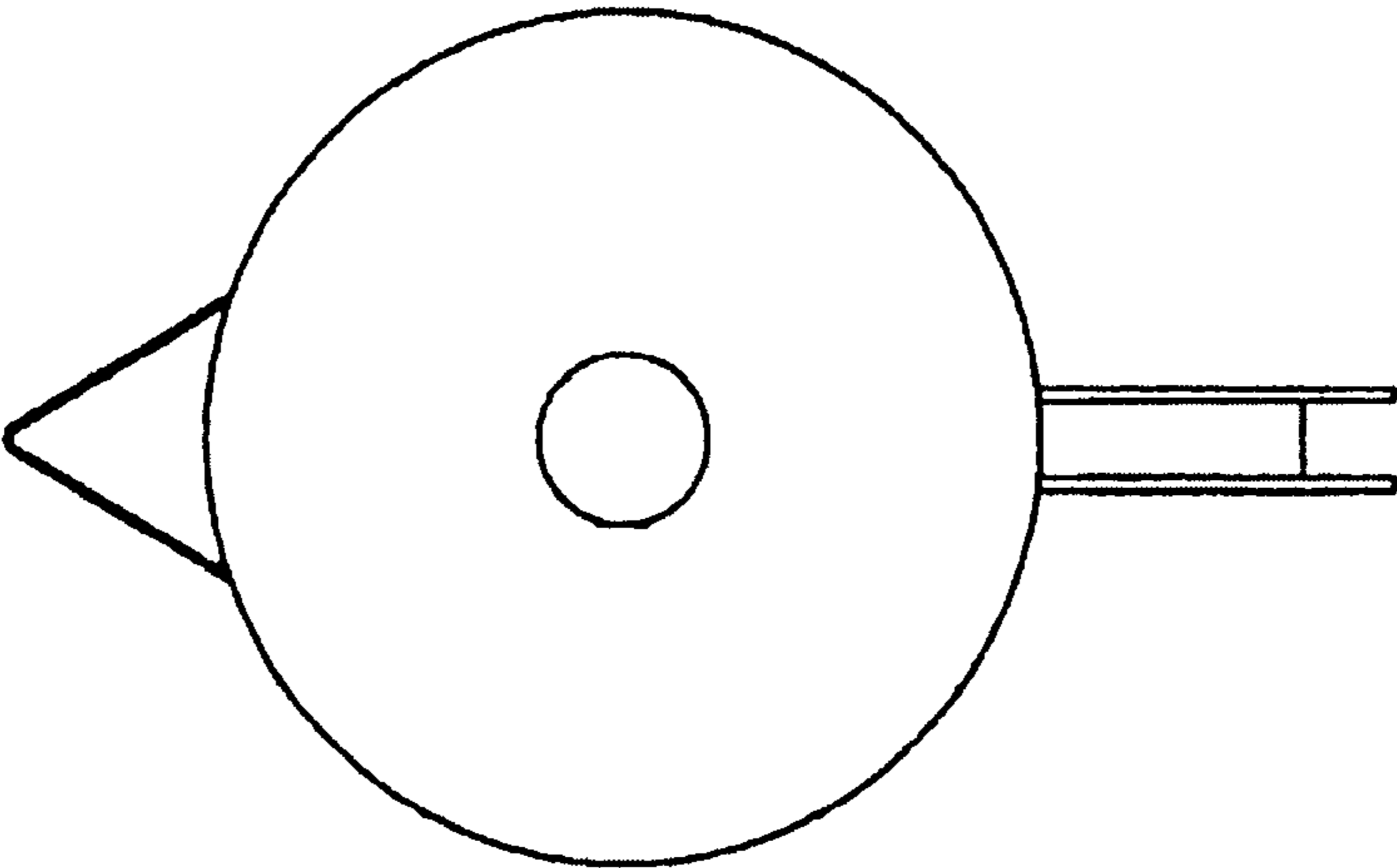


FIG. 9

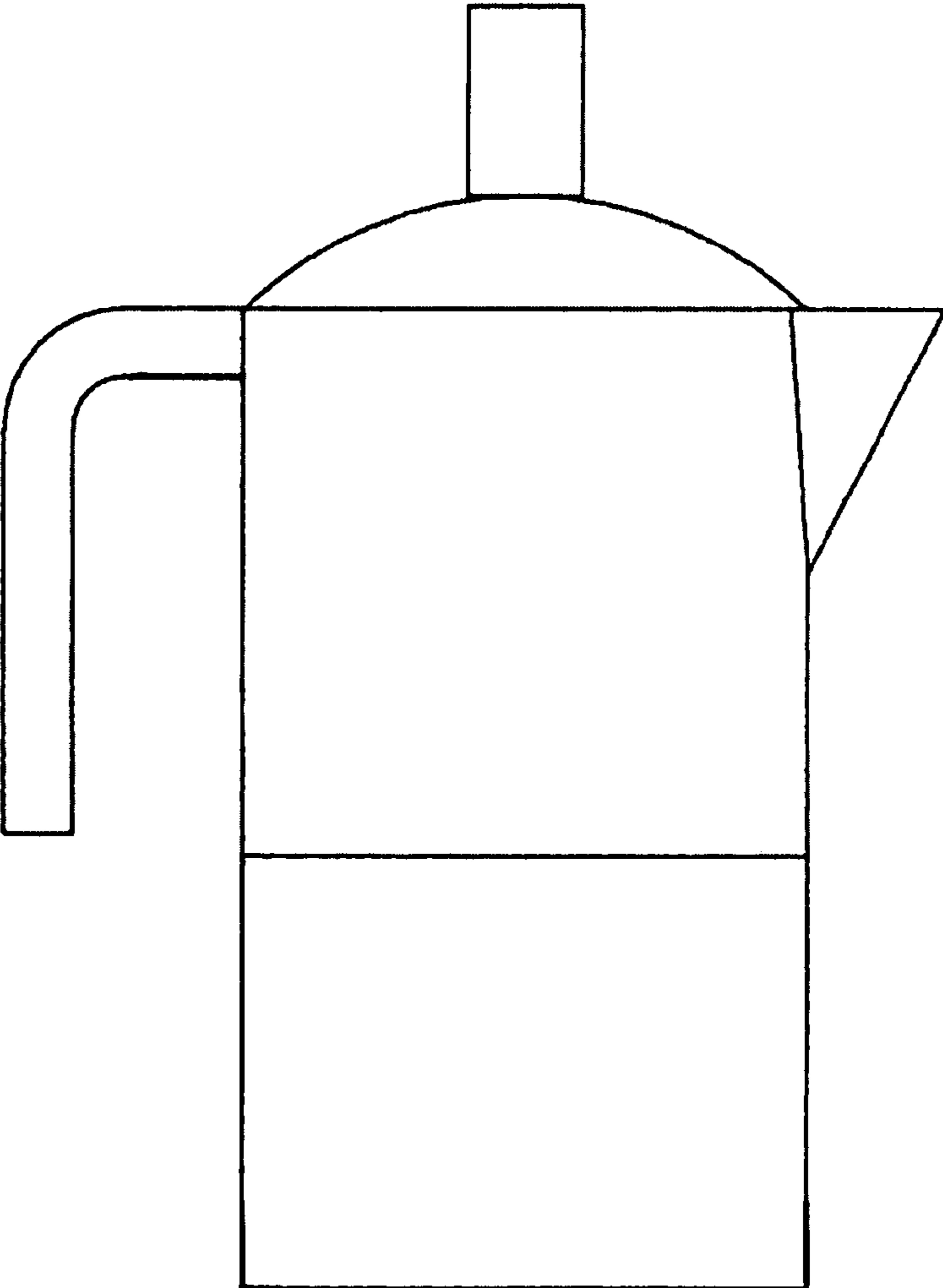


FIG. 10



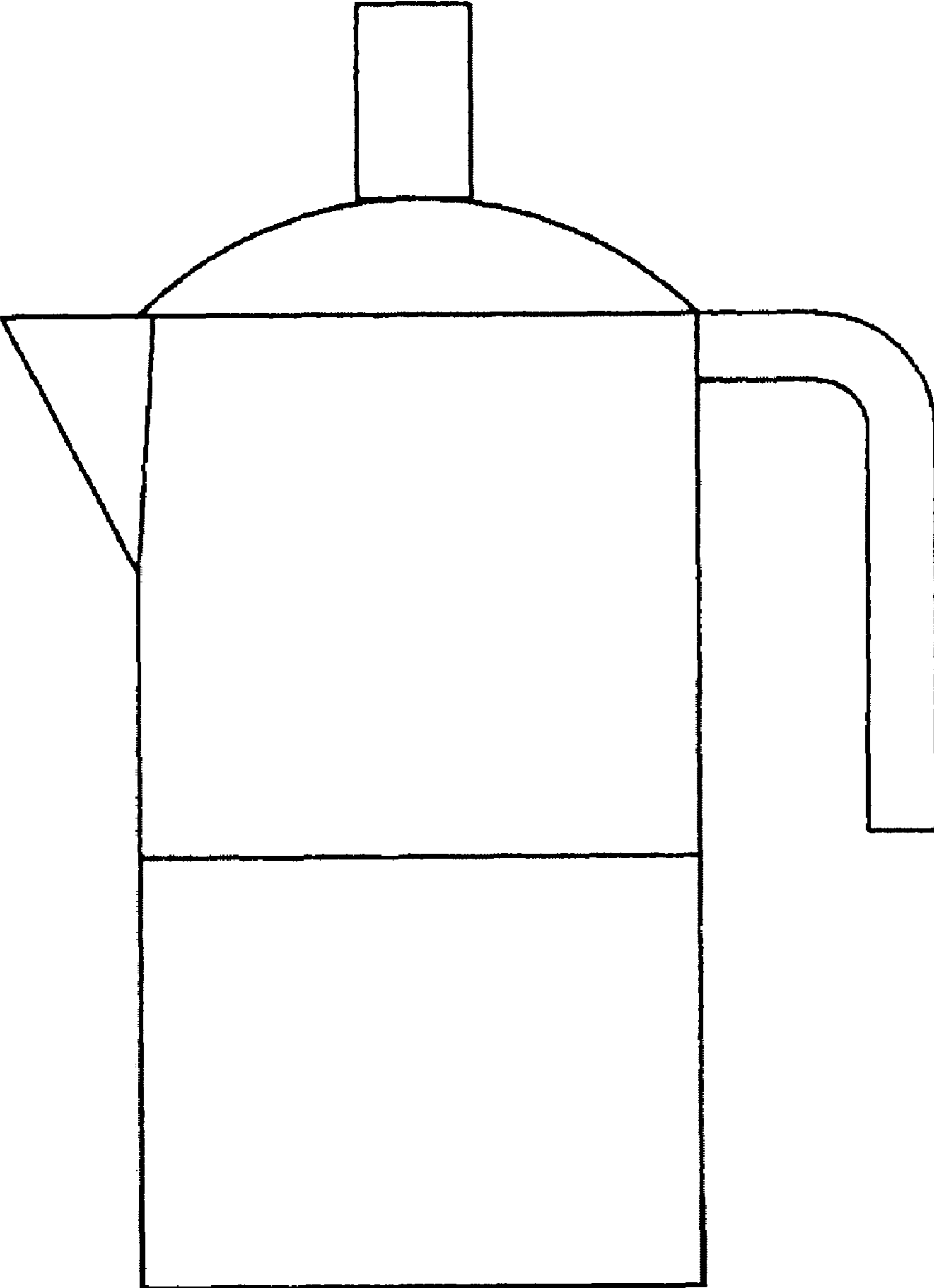


FIG. 11

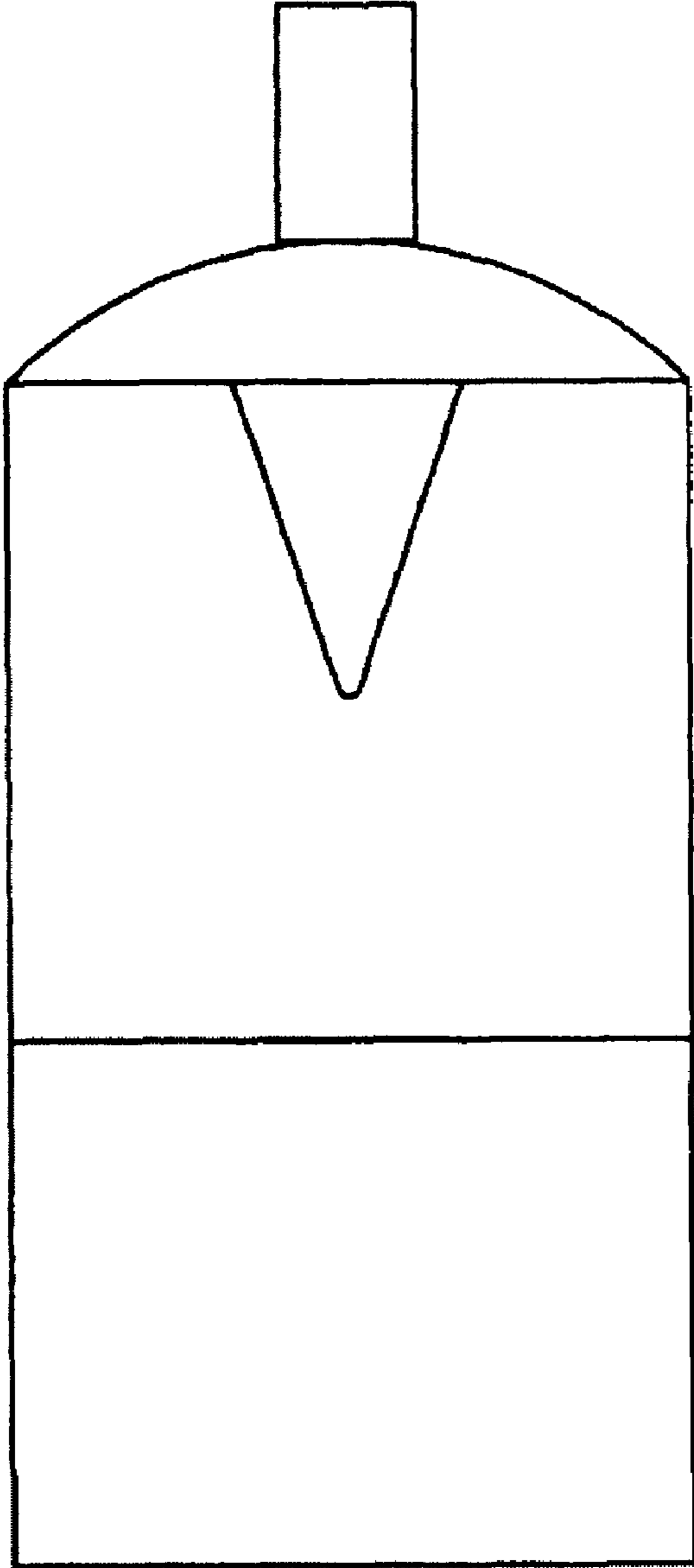


FIG. 12

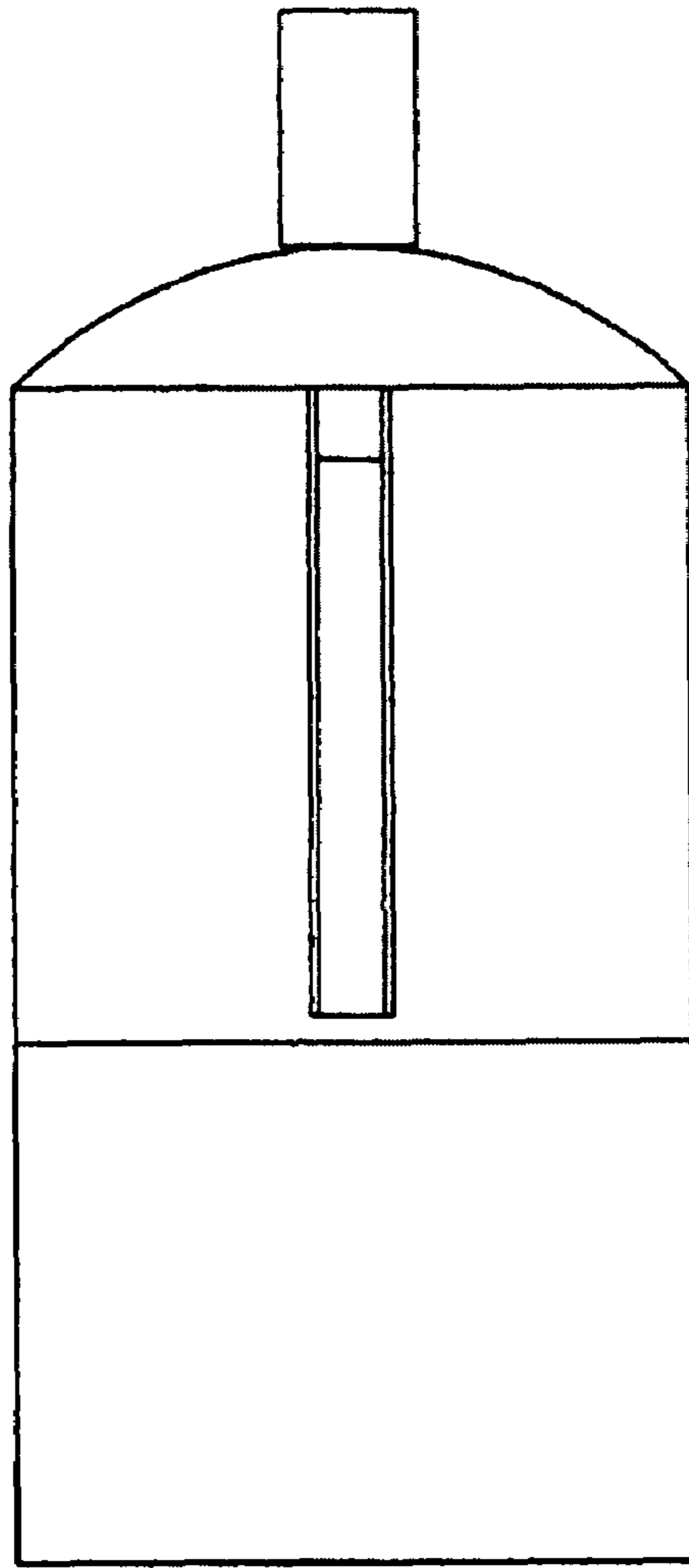


FIG. 13

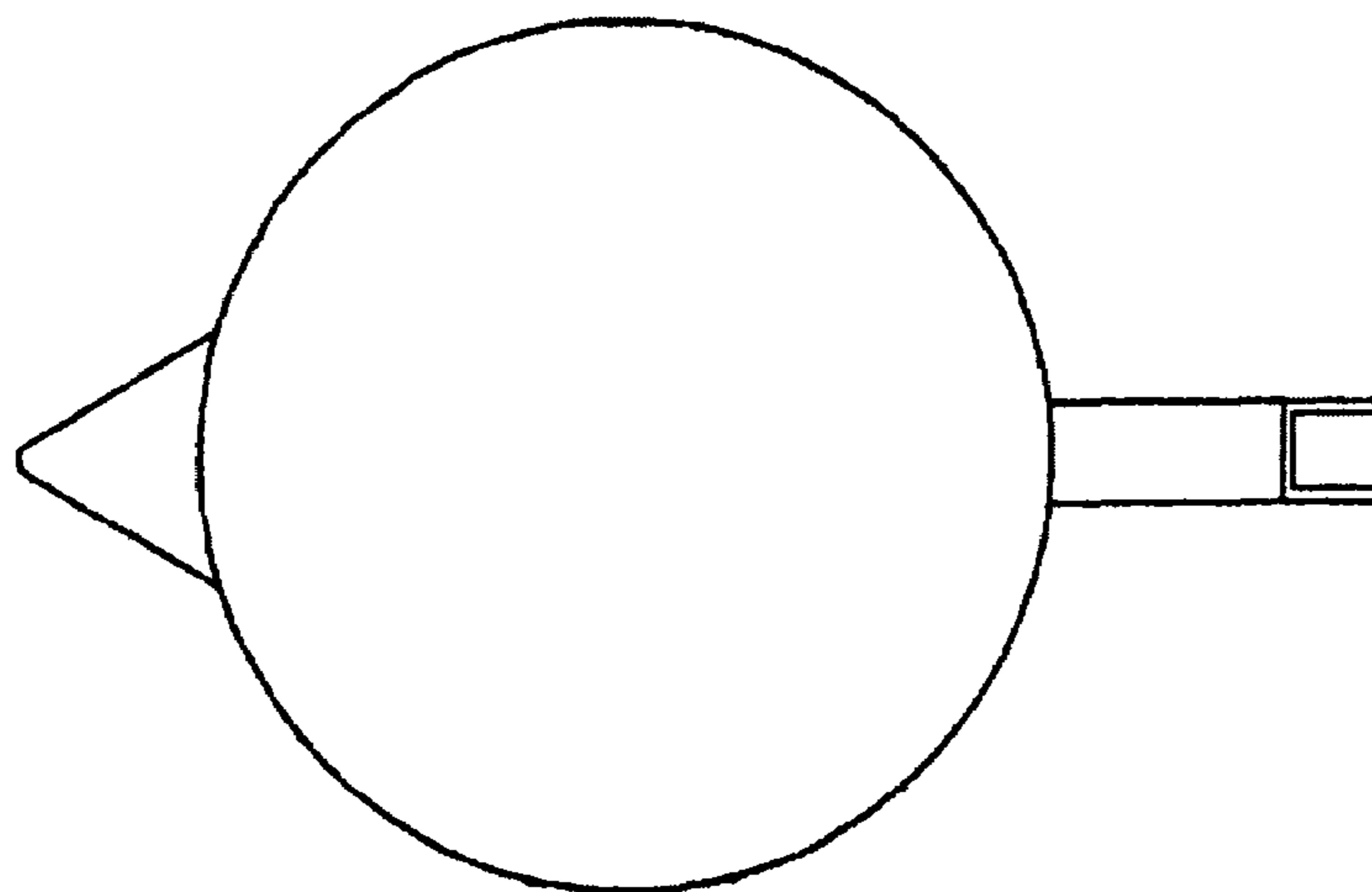


FIG. 14