



US00D586170S

(12) **United States Design Patent**
Jordana

(10) **Patent No.:** **US D586,170 S**

(45) **Date of Patent:** **** Feb. 10, 2009**

(54) **COFFEE MAKER**

(75) Inventor: **Luis Moreno Jordana**, Vitoria Alava
(ES)

(73) Assignee: **Celaya, Emparanza Y Galdos,**
Internacional, S.A., Vitoria (Alava) (ES)

(**) Term: **14 Years**

(21) Appl. No.: **29/298,098**

(22) Filed: **Nov. 28, 2007**

(30) **Foreign Application Priority Data**

May 28, 2007 (EM) 000730015-0001

(51) **LOC (9) Cl.** **07-01**

(52) **U.S. Cl.** **D7/309; D7/311**

(58) **Field of Classification Search** D7/309-311,
D7/306-308, 300, 397-399; 99/280, 286,
99/305, 306, 295, 279, 299, 285; D20/1,
D20/4, 5; 222/108, 1, 152, 190, 399, 95,
222/129, 146.1; D15/79

See application file for complete search history.

(56) **References Cited**

U.S. PATENT DOCUMENTS

D299,999 S * 2/1989 Pandolfi D7/309
4,951,556 A * 8/1990 Ng 99/285
D342,860 S * 1/1994 Azpiri D7/309
D344,206 S * 2/1994 Azpiri D7/309
D354,193 S * 1/1995 Storsberg D7/309
D360,802 S * 8/1995 Seiffert D7/309

D364,306 S * 11/1995 Storsberg D7/309
D431,748 S * 10/2000 Cahen D7/309
D431,749 S * 10/2000 Cahen D7/309
D431,750 S * 10/2000 Cahen D7/309
D431,751 S * 10/2000 Cahen D7/309
D441,593 S * 5/2001 Gudefin D7/309
D449,198 S * 10/2001 Cahen D7/309
D449,199 S * 10/2001 Cahen D7/309
D449,488 S * 10/2001 Cahen D7/309
D477,963 S * 8/2003 Cahen D7/309
D489,217 S * 5/2004 Seum et al. D7/309
D556,495 S * 12/2007 Davenport D7/309
D575,977 S * 9/2008 Rose D7/309

* cited by examiner

Primary Examiner—Marianne Pandozzi

(74) *Attorney, Agent, or Firm*—Knobbe, Martens, Olson &
Bear, LLP.

(57) **CLAIM**

The ornamental design for a coffee maker, as shown and
described.

DESCRIPTION

FIG. 1 is a right side view showing the coffee maker;

FIG. 2 is a front view of the design of FIG. 1;

FIG. 3 is a left side view of the design of FIG. 1;

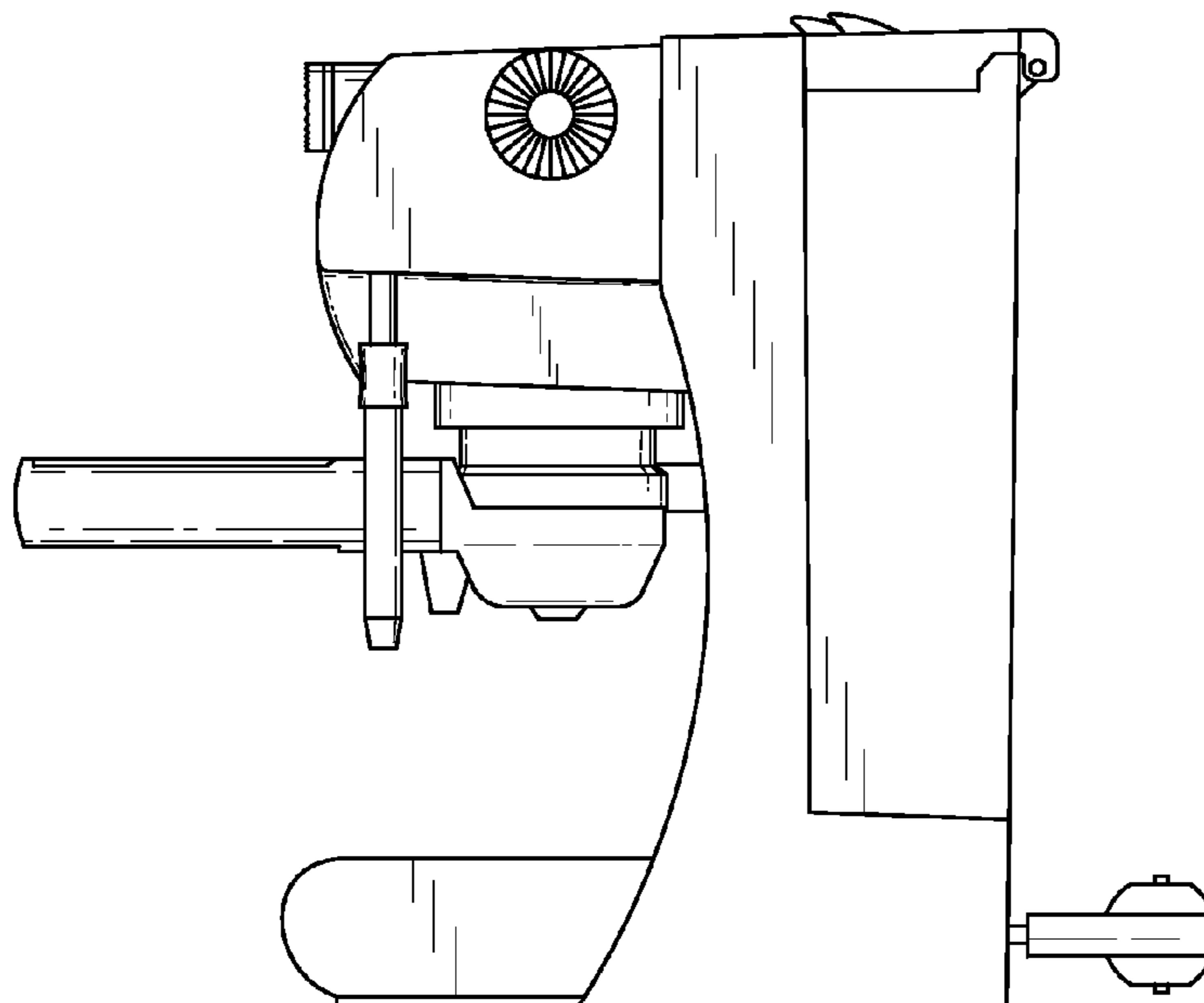
FIG. 4 is a rear view of the design of FIG. 1;

FIG. 5 is a perspective view of the design in FIG. 1;

FIG. 6 is a top view of the design in FIG. 1; and,

FIG. 7 is a bottom view of the design in FIG. 1.

1 Claim, 4 Drawing Sheets



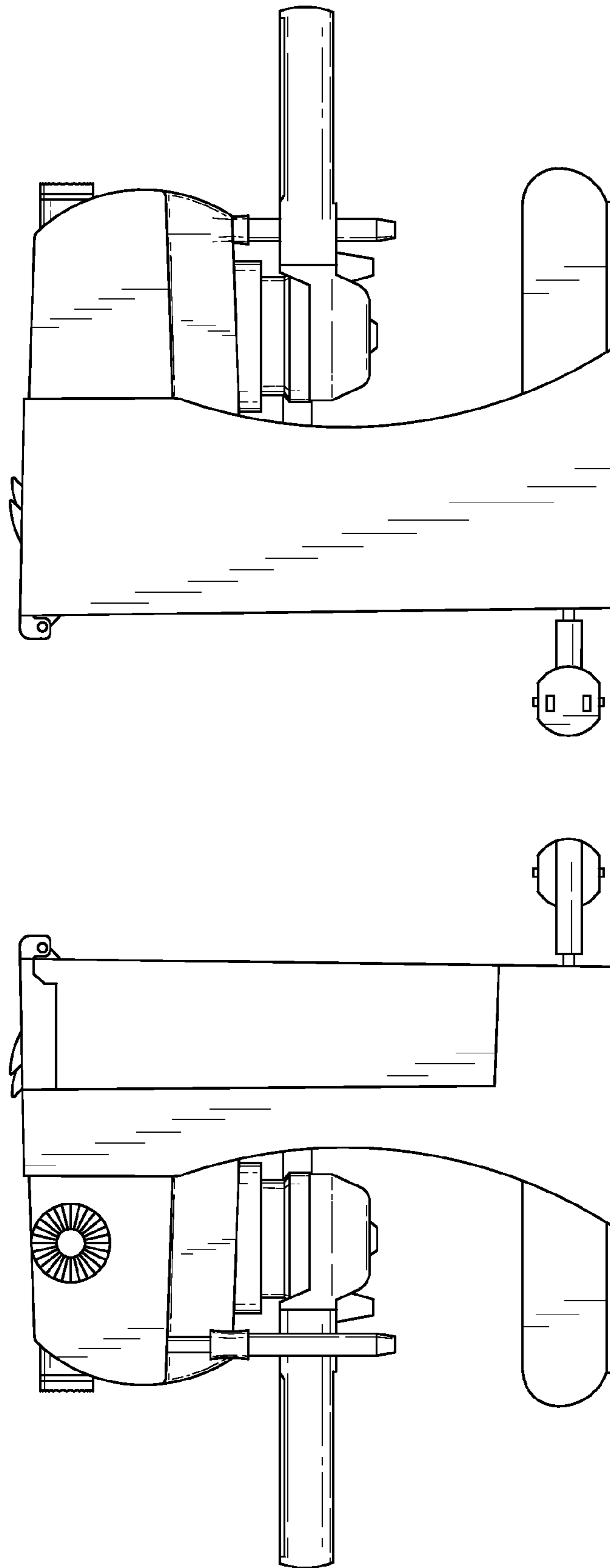


FIG. 3

FIG. 1

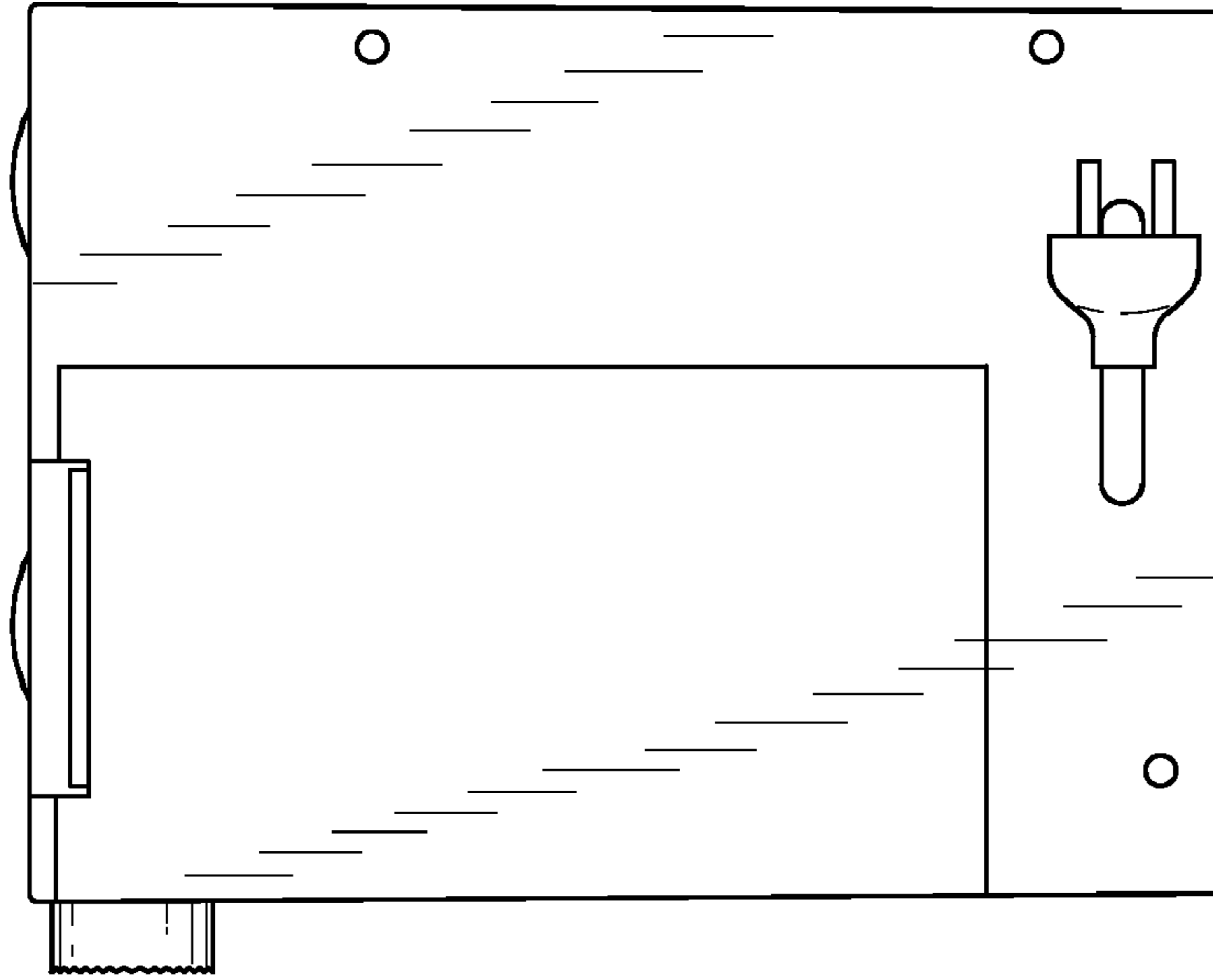


FIG. 4

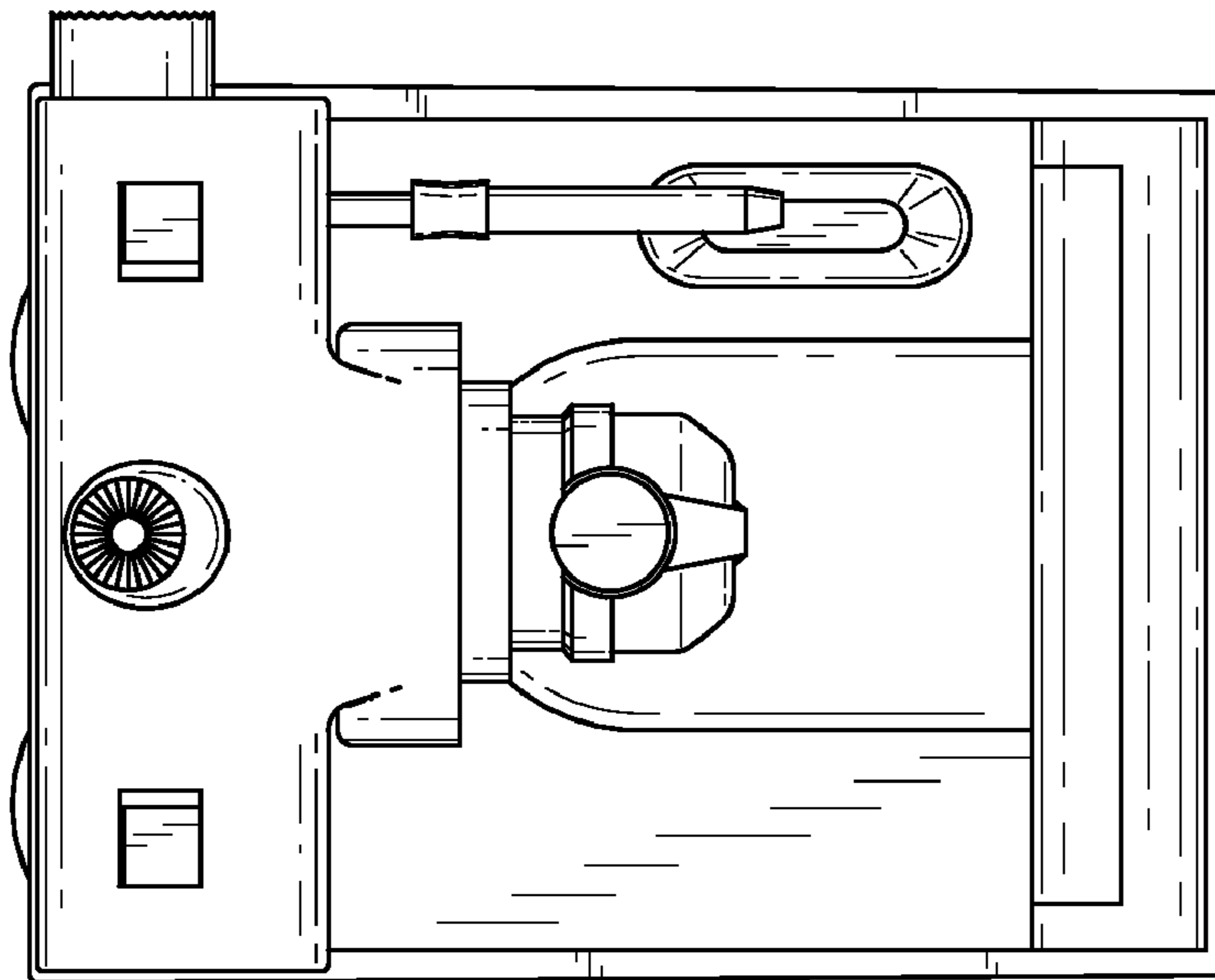


FIG. 2

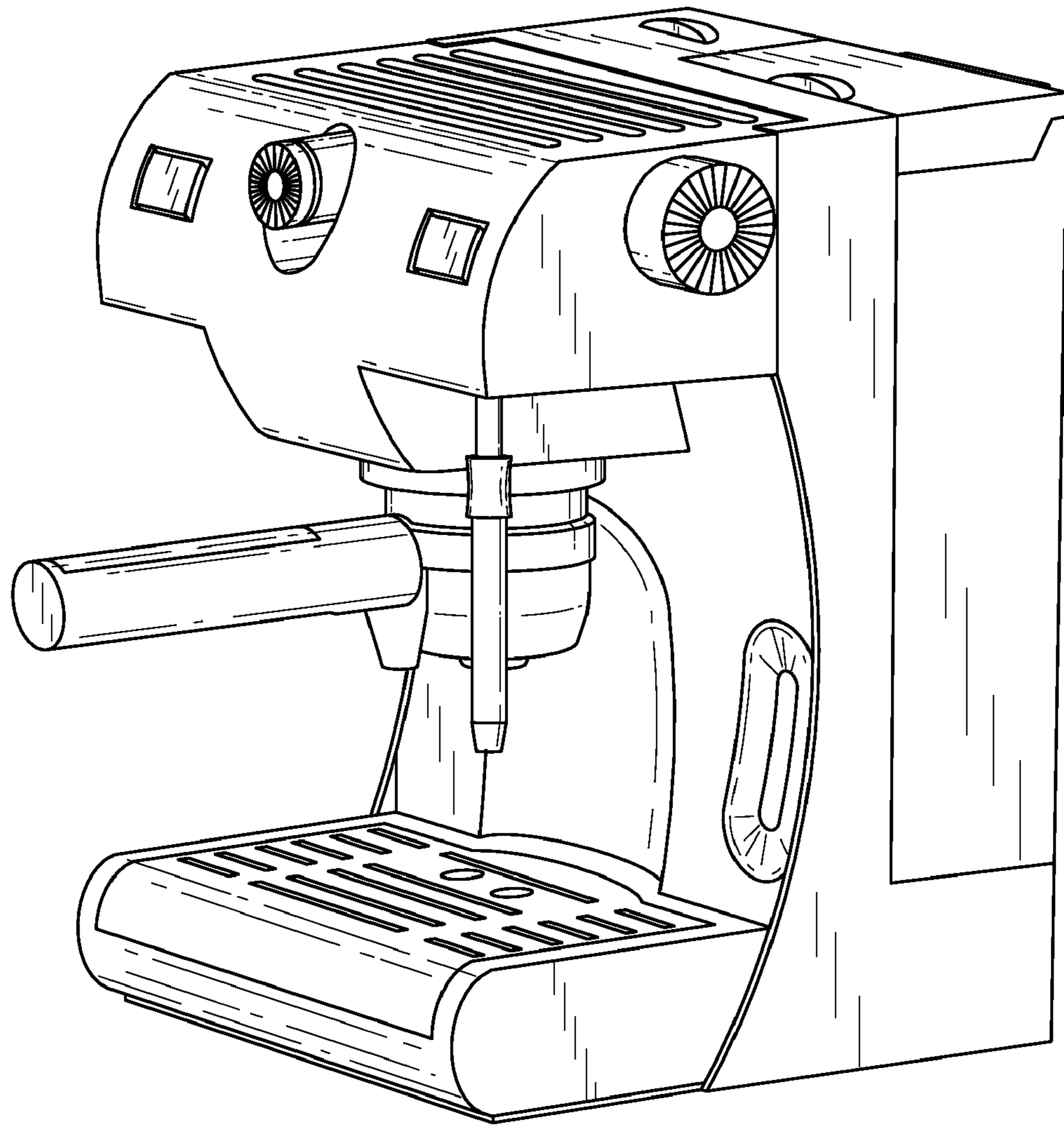


FIG. 5

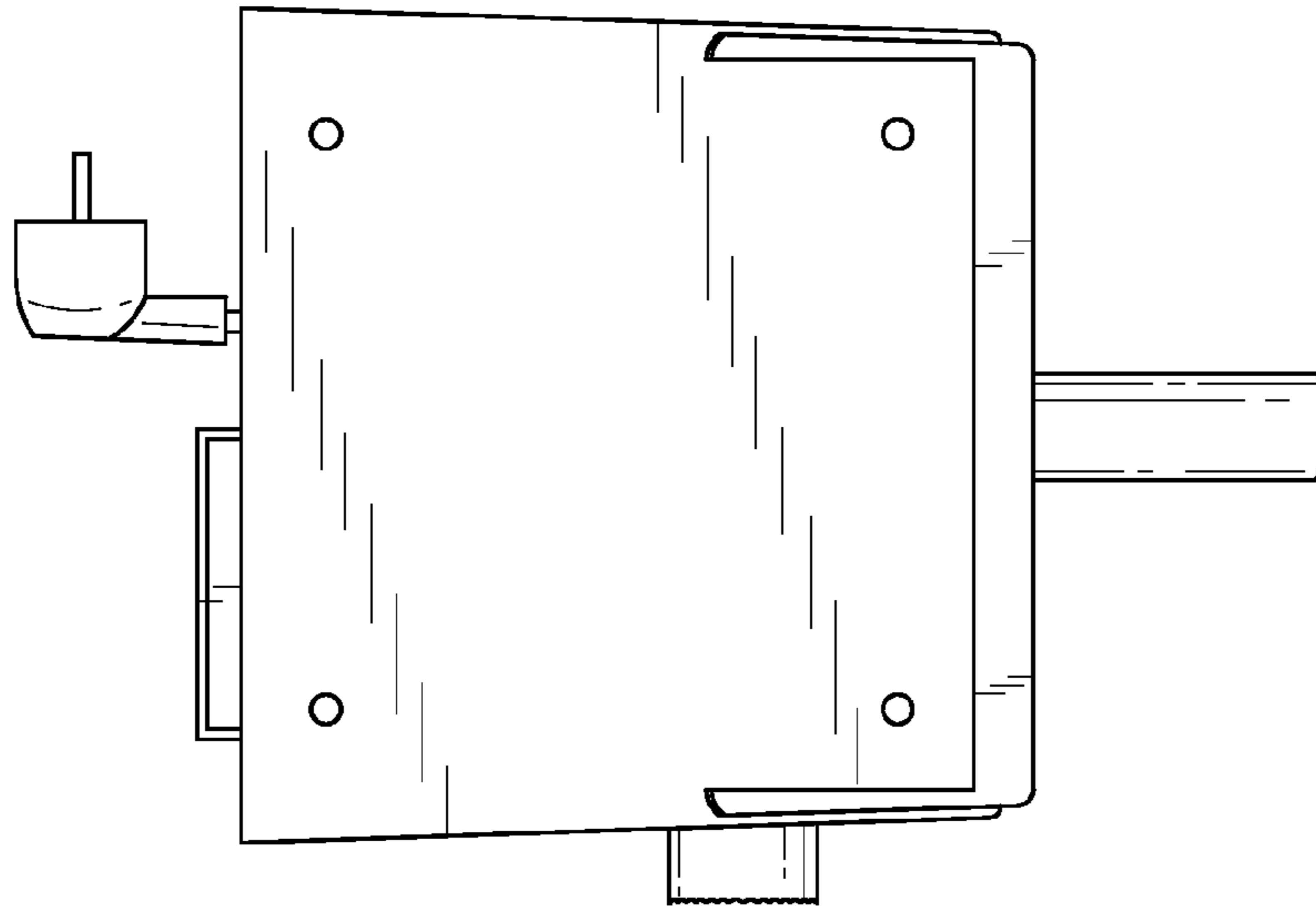


FIG. 7

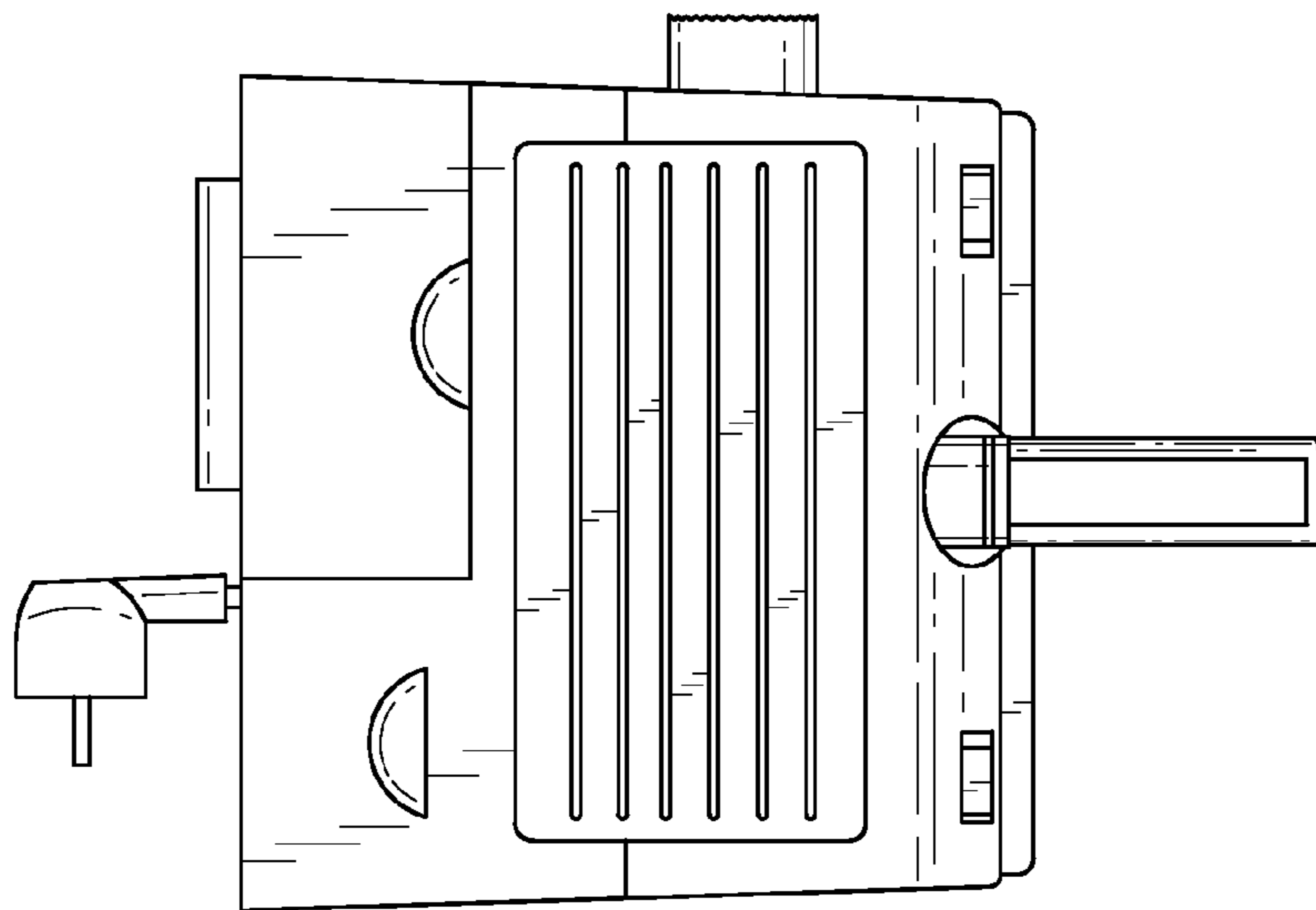


FIG. 6