



US00D586168S

(12) **United States Design Patent**  
**Smith, Jr.**

(10) **Patent No.:** **US D586,168 S**  
(45) **Date of Patent:** **\*\* Feb. 10, 2009**

(54) **PROTECTIVE COVER DESIGN FOR THE  
BACK SUPPORT PORTION OF A CHAIR**

D548,505 S \* 8/2007 Feliciano ..... D6/601  
D554,424 S \* 11/2007 Sandey et al. .... D6/601

(76) Inventor: **Alfonzo Smith, Jr.**, 9510 Arrowhead  
Falls Ct., Las Vegas, NV (US) 89148

\* cited by examiner

(\*\*) Term: **14 Years**

*Primary Examiner*—T. Chase Nelson  
*Assistant Examiner*—David G Muller  
(74) *Attorney, Agent, or Firm*—Veronica-Adele R. Cao; Ryan  
M. Swank; Weiss & Moy, P.C.

(21) Appl. No.: **29/291,304**

(22) Filed: **Aug. 24, 2007**

(57) **CLAIM**

(51) **LOC (9) Cl.** ..... **06-13**

The ornamental design for a protective cover design for the  
back support portion of a chair, as shown and described.

(52) **U.S. Cl.** ..... **D6/611**

(58) **Field of Classification Search** ..... D6/611,  
D6/610, 616, 615, 334, 601, 608; 297/228.1,  
297/228.11, 229, 219.12, 220, 224, 391;  
5/923

**DESCRIPTION**

See application file for complete search history.

FIG. 1 is a perspective view of the protective cover design for  
the back support portion of a chair of this invention shown  
attached to a chair. The chair shown in dashed lines forms no  
part of the claimed design.

(56) **References Cited**

**U.S. PATENT DOCUMENTS**

FIG. 2 is a perspective elevated view of the protective cover  
design for the back support portion of a chair of FIG. 1  
separated from the chair.

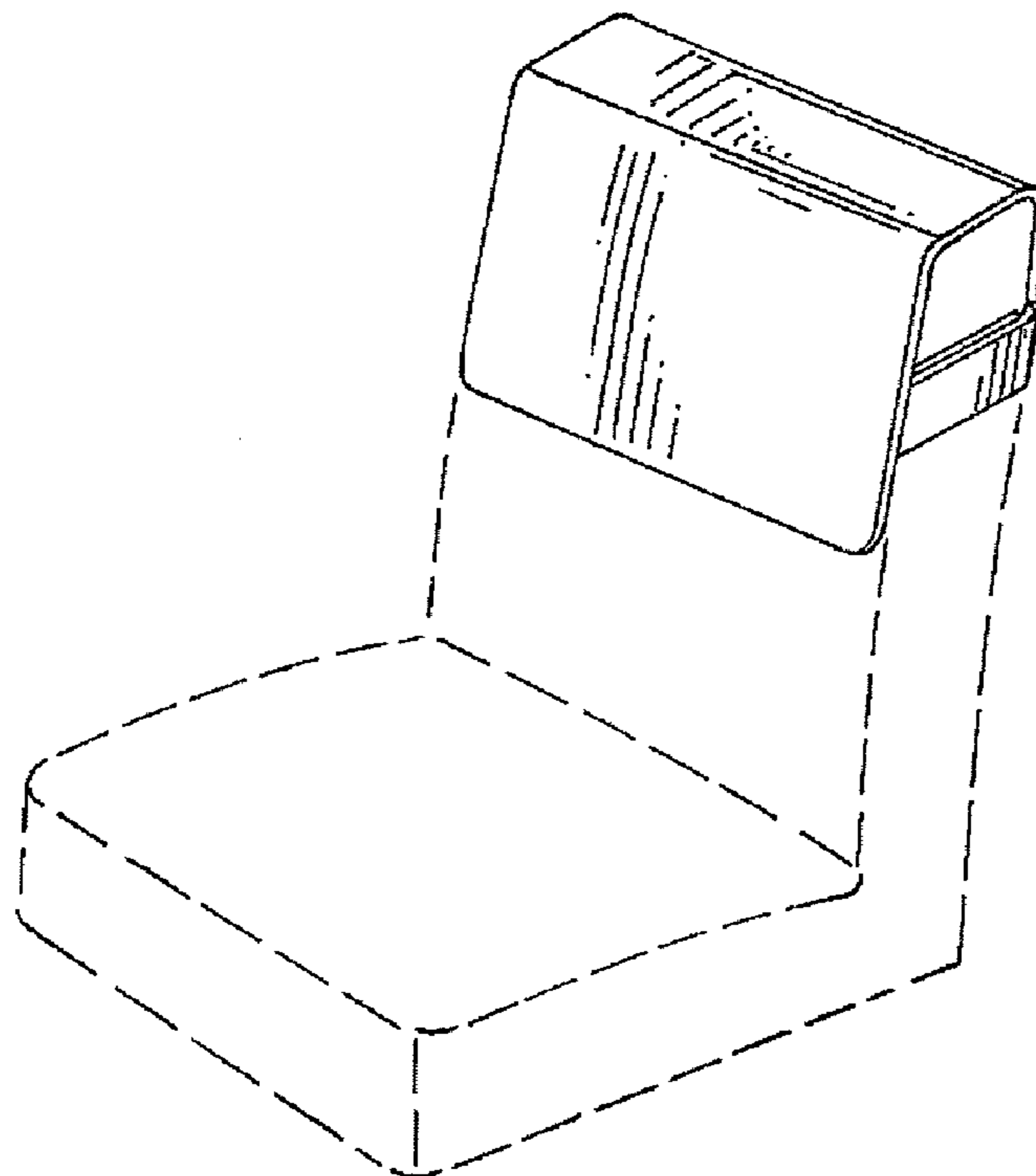
4,627,363	A *	12/1986	Jones	.....	5/923
4,676,376	A *	6/1987	Keiswetter	.....	297/228.1
D316,649	S *	5/1991	Swanner	.....	D6/611
D323,757	S *	2/1992	Beauchan	.....	D6/611
D346,925	S *	5/1994	Egan	.....	D6/601
D379,047	S *	5/1997	Richard	.....	D6/601
D382,756	S *	8/1997	Ryan	.....	D6/608
D383,636	S *	9/1997	Harris	.....	D6/601
D421,543	S *	3/2000	Rogman et al.	.....	D6/611
D471,751	S *	3/2003	Chihlas	.....	D6/601
D484,350	S *	12/2003	Miller	.....	D6/601

FIG. 3 is a front view of the protective cover design for the  
back support portion of a chair of FIG. 2.

FIG. 4 is a side elevational view of the protective cover design  
for the back support portion of a chair of FIG. 2 showing one  
side with the other side being the same; and,

FIG. 5 is a back view of the protective cover design for the  
back support portion of a chair of FIG. 2.

**1 Claim, 1 Drawing Sheet**



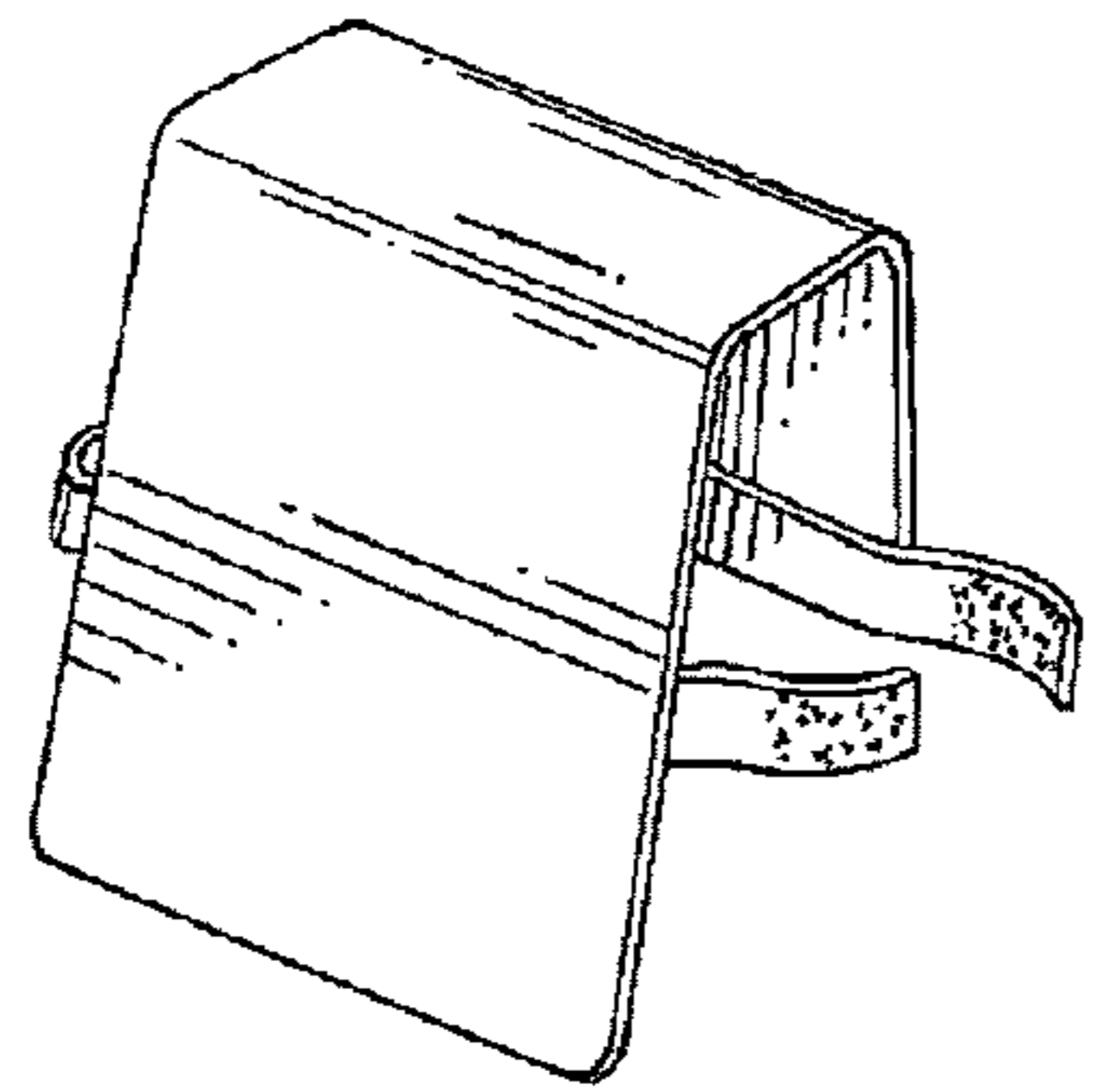


Fig. 2

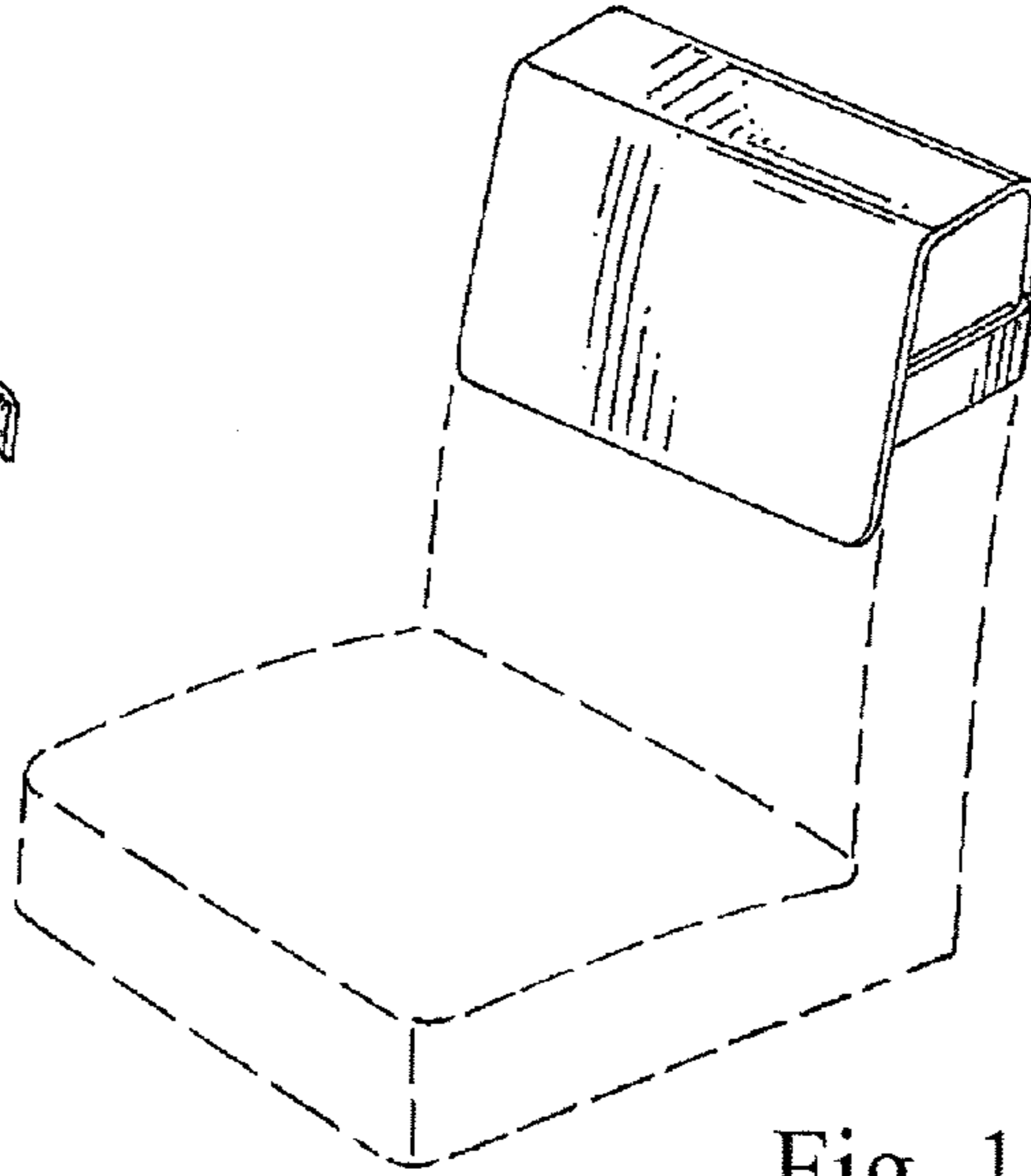


Fig. 1

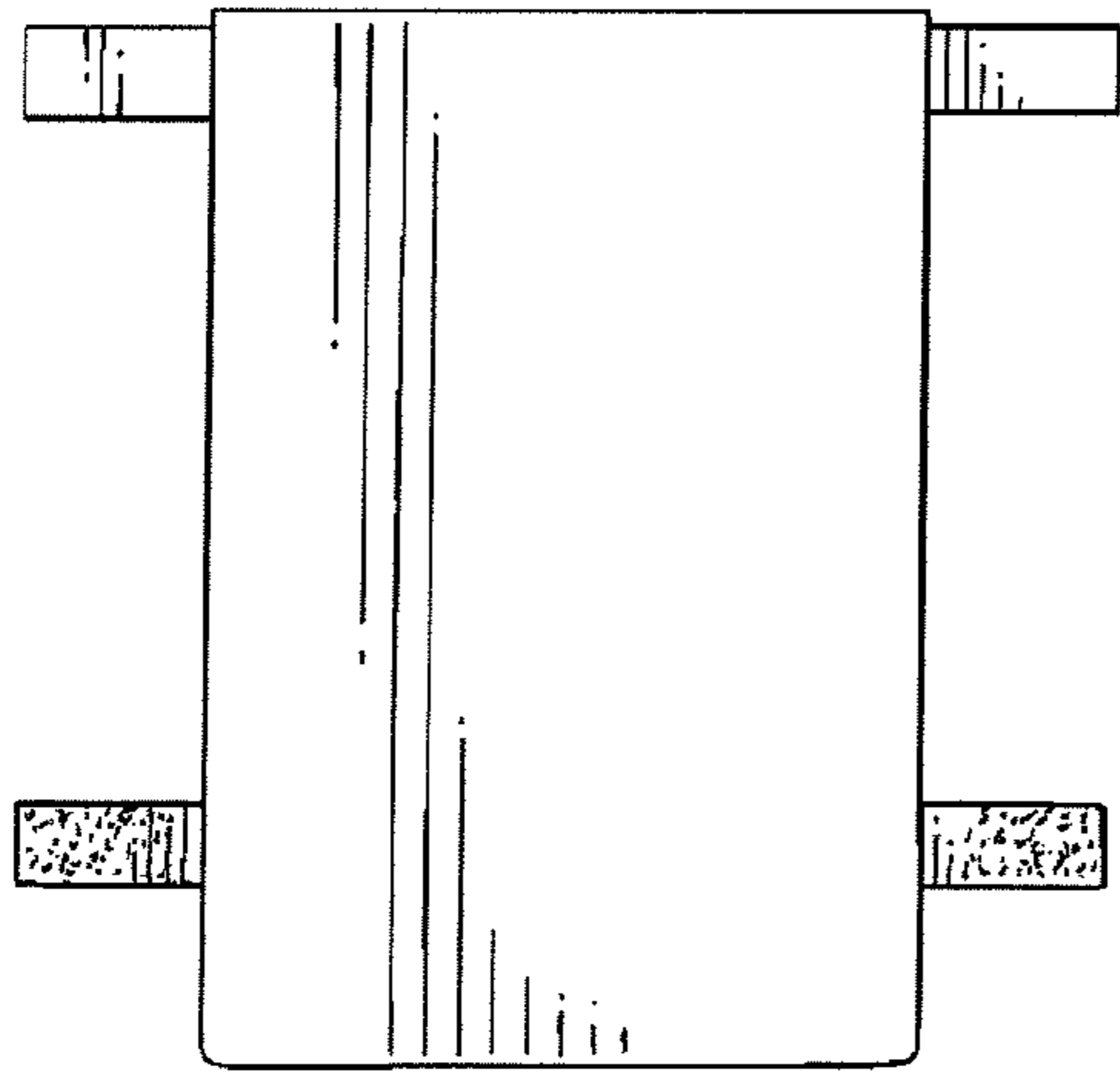


Fig. 3



Fig. 4

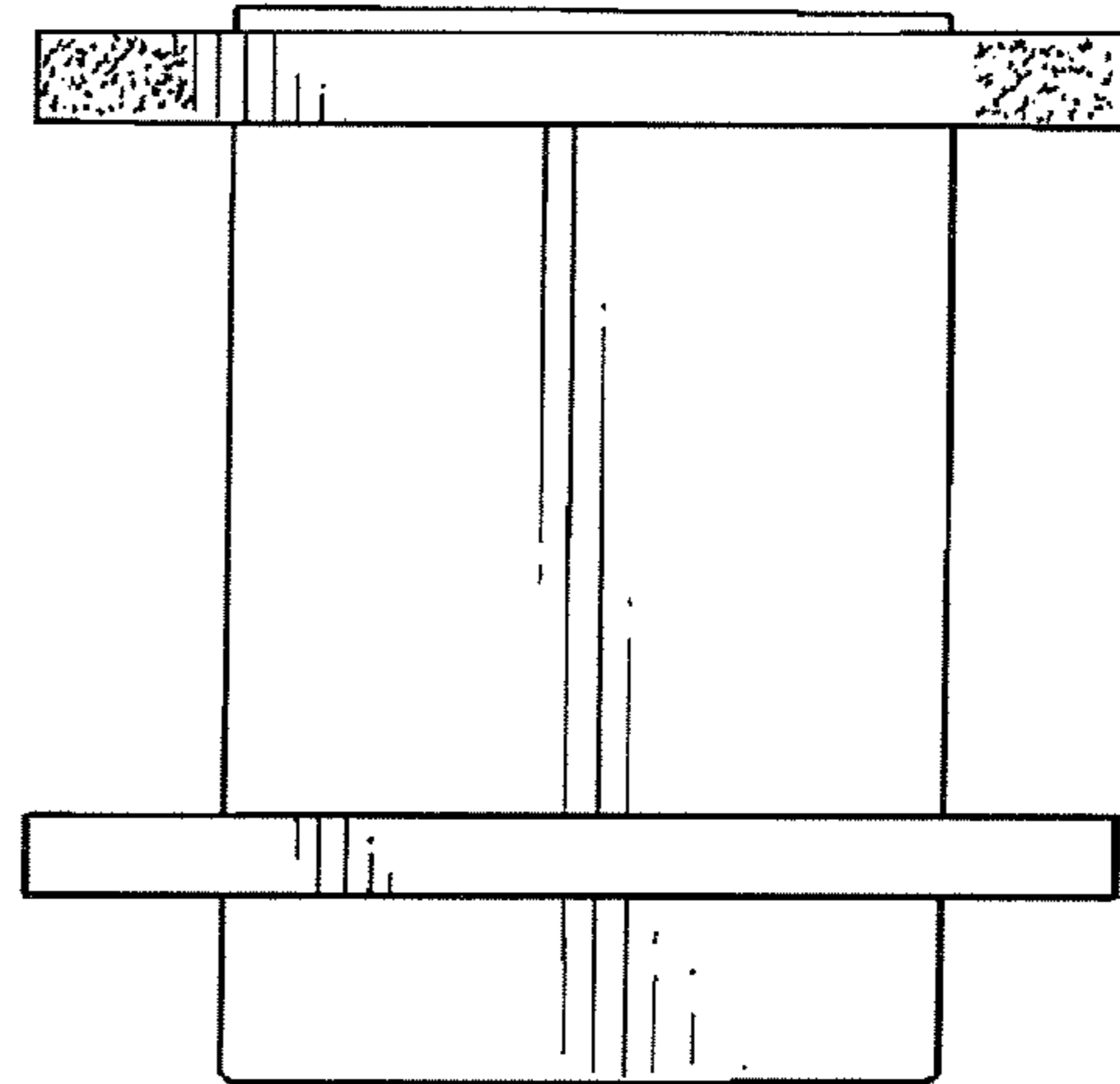


Fig. 5