



US00D586165S

(12) **United States Design Patent**
Lenterman

(10) **Patent No.:** **US D586,165 S**
(45) **Date of Patent:** **** Feb. 10, 2009**

(54) **SHELF FOR A DESK**

(75) Inventor: **Henri B. Lenterman**, Chino Hills, CA
(US)

(73) Assignee: **Intro-Tech Automotive, Inc.**, Chino, CA
(US)

(**) Term: **14 Years**

(21) Appl. No.: **29/305,753**

(22) Filed: **Mar. 27, 2008**

(51) **LOC (9) Cl.** **06-06**

(52) **U.S. Cl.** **D6/511**

(58) **Field of Classification Search** D6/480-489,
D6/495-499, 429-431, 511, 422-428, 574;
108/150, 153.1, 156, 157.1, 161, 50.01, 50.02;
248/188, 188.1, 188.8; 312/194-196, 258;
D8/363; D12/181

See application file for complete search history.

(56) **References Cited**

U.S. PATENT DOCUMENTS

D424,828 S *	5/2000	Ko	D6/429
D478,225 S *	8/2003	Wang	D6/426
D486,669 S *	2/2004	Wang	D6/426
D505,567 S *	5/2005	Chang	D6/425

* cited by examiner

Primary Examiner—Janice E Seeger

(74) *Attorney, Agent, or Firm*—Intellectual Property Law;
Offices of Joel Voelzke, APC

(57) **CLAIM**

The ornamental design for a shelf for a desk, as shown and described.

DESCRIPTION

FIG. 1 is a perspective view showing the rear, left side, and top of a shelf for a desk showing my new design;

FIG. 2 is an enlarged perspective view thereof;

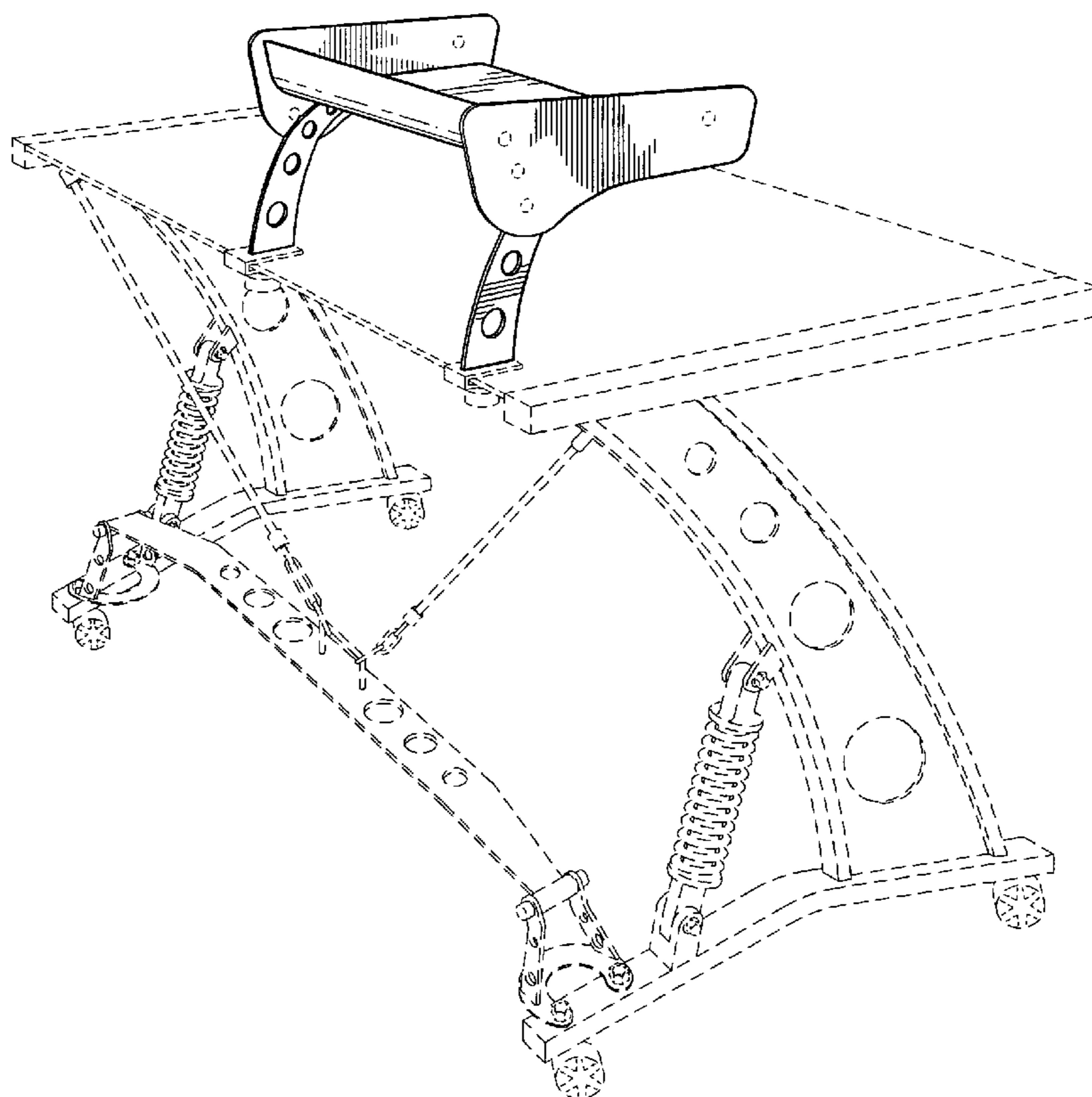
FIG. 3 is a cross-sectional view taken through the center of the shelf; and,

FIG. 4 is a perspective view showing the rear, right side, and bottom thereof.

The desk, C-clamps, and rivets are shown in broken lines for illustrative purposes only and form no part of the claimed design.

The characteristic feature of the design resides in the application of a part having the appearance of an automotive spoiler to the shelf for a desk.

1 Claim, 2 Drawing Sheets



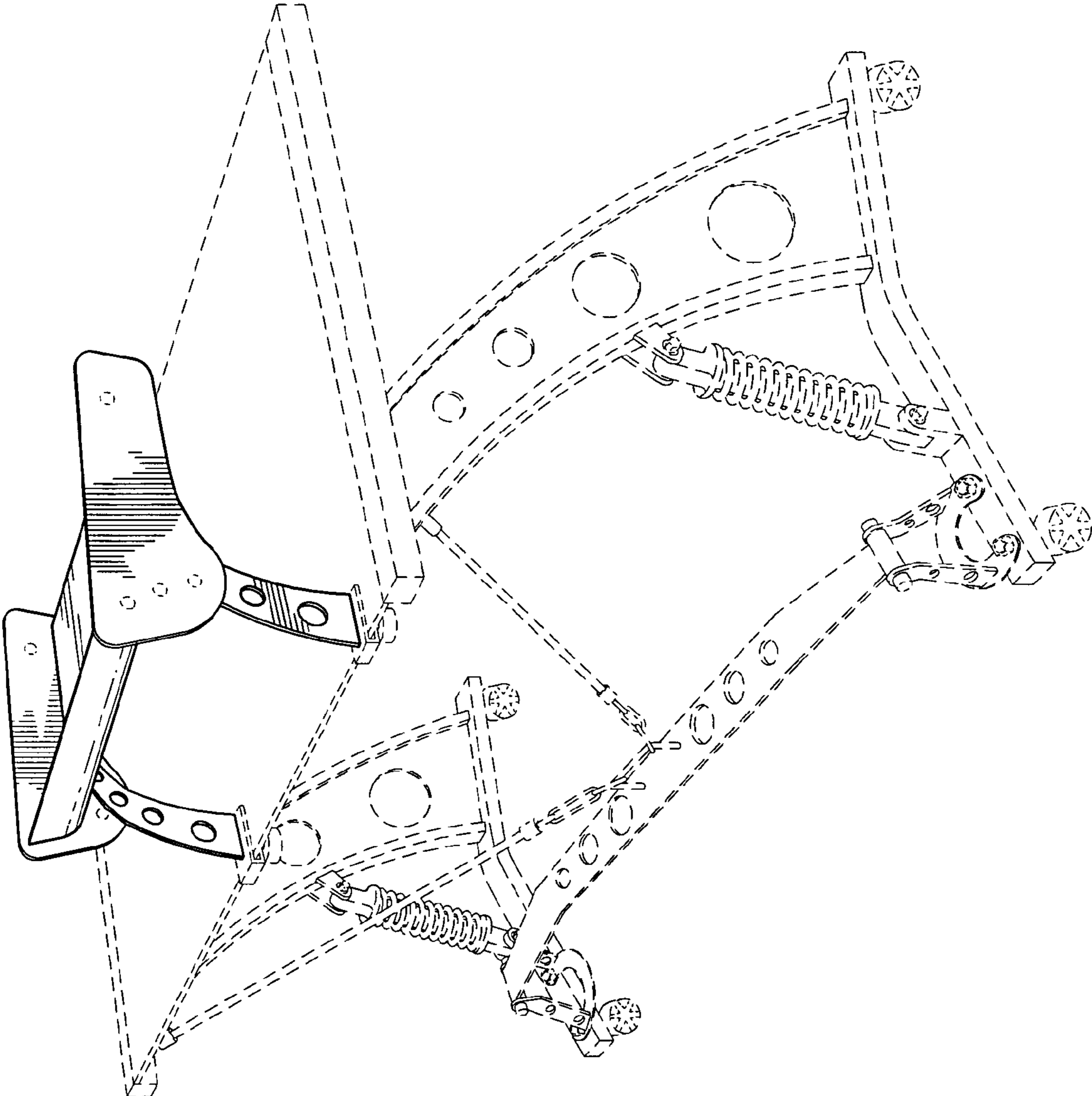


FIG. 1

FIG. 2

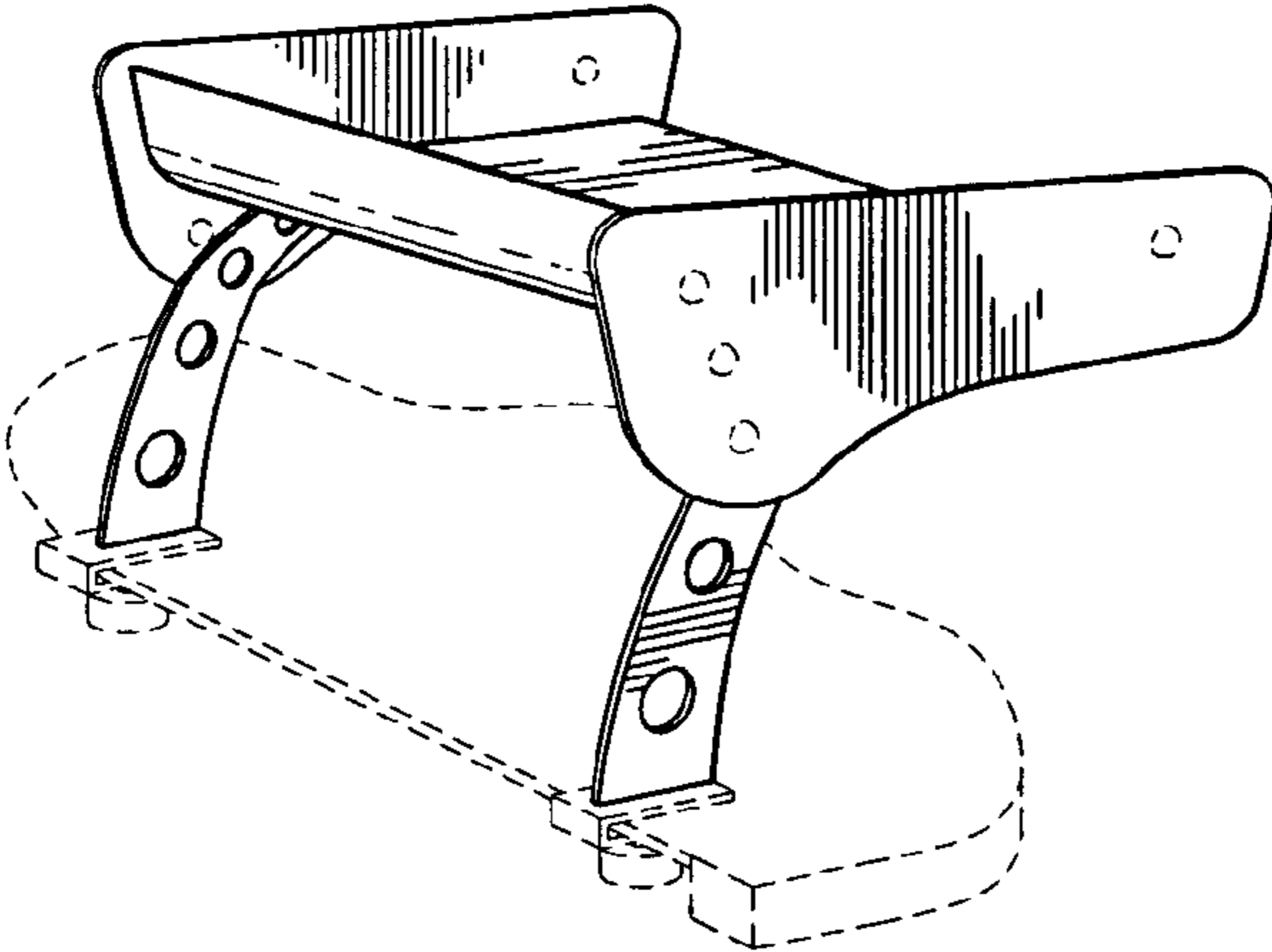


FIG. 3

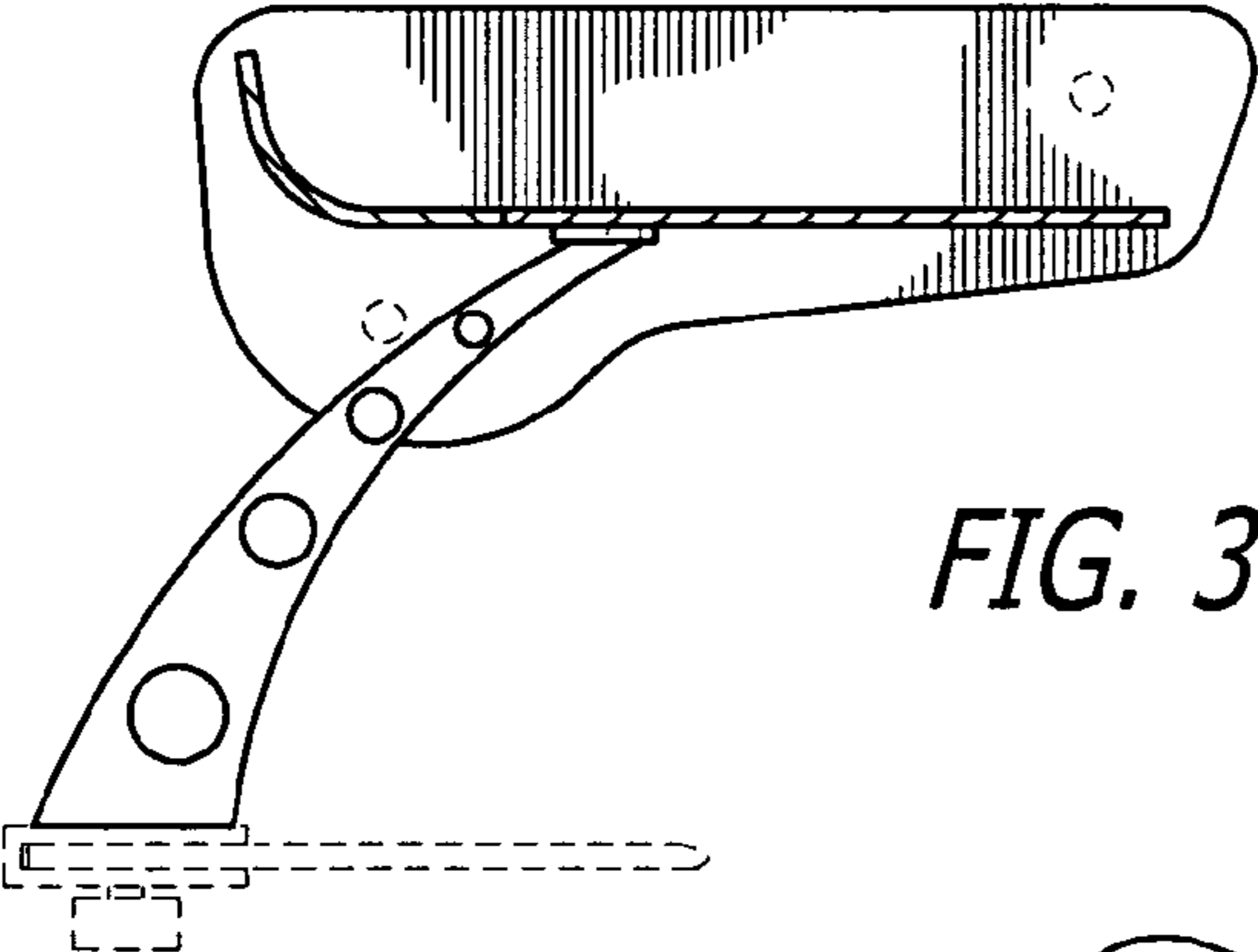


FIG. 4

