



US00D586164S

(12) **United States Design Patent**
Hand

(10) **Patent No.:** **US D586,164 S**
(45) **Date of Patent:** **** Feb. 10, 2009**

- (54) **TOOL CHEST AND CABINET**
- (75) Inventor: **Jim Hand**, Glen Ellyn, IL (US)
- (73) Assignee: **Waterloo Industries, Inc.**, Oak Creek, WI (US)
- (**) Term: **14 Years**
- (21) Appl. No.: **29/305,909**
- (22) Filed: **Mar. 31, 2008**
- (51) **LOC (9) Cl.** **06-06**
- (52) **U.S. Cl.** **D6/510; D6/445; D6/446**
- (58) **Field of Classification Search** D6/396, D6/397, 432, 436-448, 491, 509, 510, 511; 312/107, 117, 138.1, 204, 237, 249.11, 249.12, 312/257.1, 308, 311, 348.4; D3/279, 297, D3/905; D34/19, 20, 21
See application file for complete search history.

- D386,626 S 11/1997 Yemini
- 5,720,535 A 2/1998 Mehman
- D393,541 S 4/1998 Calmeise
- D394,562 S 5/1998 Di Blasi
- 5,857,757 A 1/1999 Bieker et al.
- D412,626 S 8/1999 Johnson et al.
- D423,817 S * 5/2000 Holcomb et al. D6/445
- D423,818 S 5/2000 Holcomb et al.
- D427,807 S 7/2000 Holcomb et al.

(Continued)

Primary Examiner—Mimosa De
(74) *Attorney, Agent, or Firm*—Calfee, Halter & Griswold LLP

(57) **CLAIM**

I claim the ornamental design for a tool chest and cabinet, as shown and described.

DESCRIPTION

FIG. 1 is a perspective view of a tool chest and cabinet of the new design;

FIG. 2 is a front elevation view of the tool chest and cabinet of FIG. 1;

FIG. 3 is a rear view of the tool chest and cabinet of FIG. 1;

FIG. 4 is a left side view of the tool chest and cabinet of FIG. 1;

FIG. 5 is a right side view of the tool chest and cabinet of FIG. 1;

FIG. 6 is a top view of the tool chest and cabinet of FIG. 1; and,

FIG. 7 is a bottom view of the tool chest and cabinet of FIG. 1.

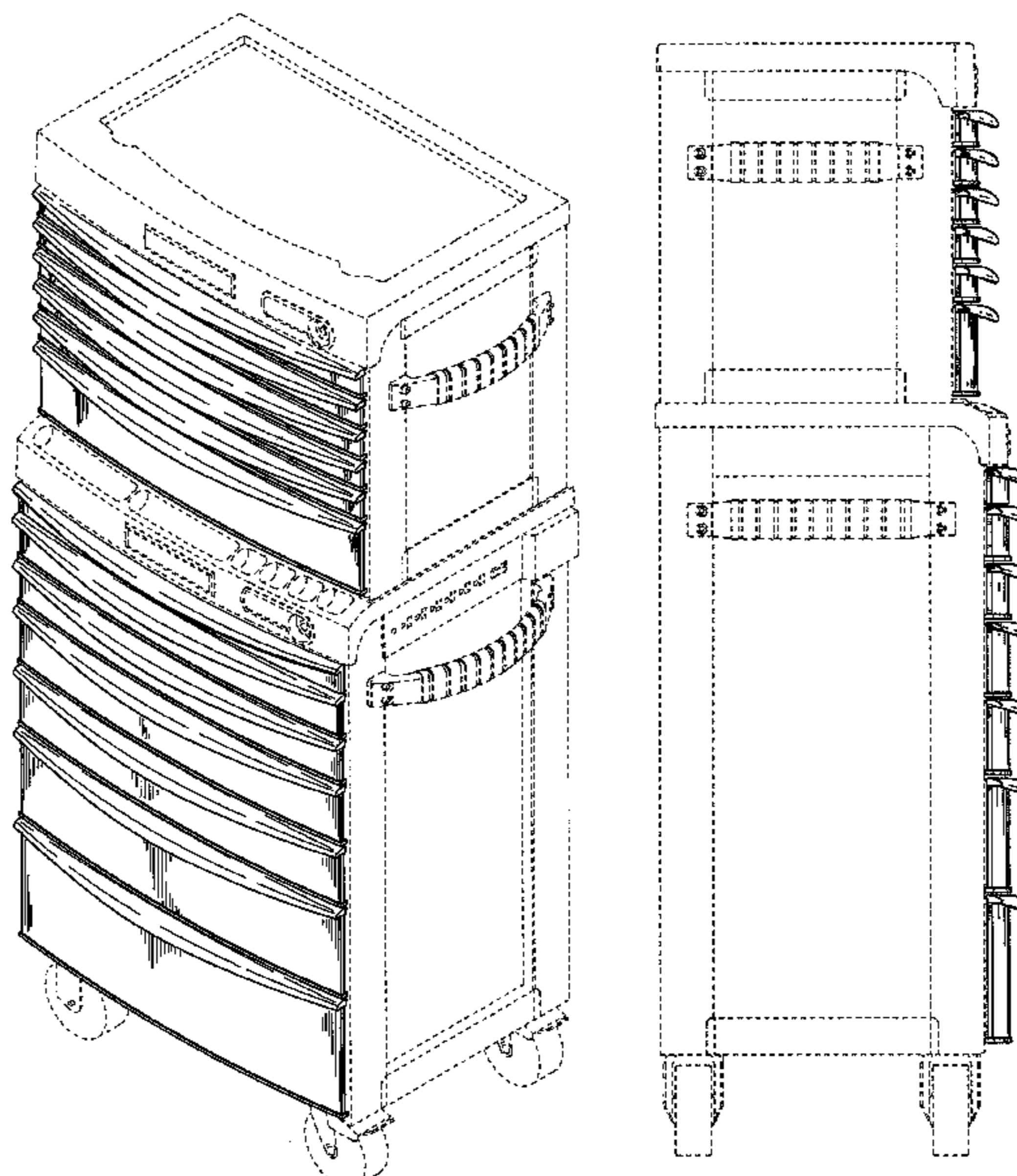
The portions of the Figures shown in phantom lines form no part of the claimed design and for illustrative purposes only.

1 Claim, 6 Drawing Sheets

(56) **References Cited**

U.S. PATENT DOCUMENTS

- D205,522 S 8/1966 Doman
- D218,080 S 7/1970 Sierzega
- 4,120,549 A 10/1978 Bureau
- D286,714 S * 11/1986 Verholt D6/446
- D327,967 S 7/1992 Hikawa
- D341,253 S 11/1993 Ballman et al.
- D348,574 S * 7/1994 Brunner et al. D6/446
- 5,332,305 A 7/1994 Slivon et al.
- D356,703 S * 3/1995 Dickinson D6/439
- 5,443,311 A 8/1995 Kadlecek et al.
- D361,910 S 9/1995 Maple et al.
- D370,342 S 6/1996 Gwyther
- D370,572 S 6/1996 Lin
- D372,378 S 8/1996 Kruger
- 5,607,214 A 3/1997 Pierce et al.
- D381,166 S 7/1997 Bonazza
- D385,722 S 11/1997 Yemini



US D586,164 S

Page 2

U.S. PATENT DOCUMENTS					
			D514,854 S	2/2006	Schmidt et al.
			D517,805 S	3/2006	Hosking
			D520,264 S	5/2006	Mehmen et al.
			D520,784 S	5/2006	Schmidt et al.
			D524,506 S *	7/2006	Hay et al. D34/20
			D526,782 S	8/2006	Hosking
			D547,160 S	7/2007	Hand
			D554,370 S	11/2007	Hand
			D554,864 S	11/2007	Hand
			D560,079 S	1/2008	Mehmen
			D563,103 S	3/2008	Hand
			2002/0030425 A1	3/2002	Tiramani et al.
			2002/0074905 A1	6/2002	Tiramani et al.
			2008/0129173 A1 *	6/2008	Freeberg et al. 312/348.4
			* cited by examiner		
	U.S. PATENT DOCUMENTS				
6,109,709 A	8/2000	Holcomb et al.			
D430,426 S	9/2000	Bieker et al.			
6,176,559 B1	1/2001	Tiramani et al.			
D448,168 S	9/2001	Johnston			
D449,181 S	10/2001	Story et al.			
D453,074 S	1/2002	Johnston			
6,347,847 B1	2/2002	Tiramani et al.			
D455,902 S	4/2002	Wolf			
D457,704 S	5/2002	Fiscus et al.			
D461,067 S *	8/2002	Frank et al. D6/446			
D470,687 S	2/2003	Binse et al.			
D477,724 S *	7/2003	Bishop D6/434			
D505,237 S	5/2005	Schmidt et al.			
D506,090 S	6/2005	Ben-Or			

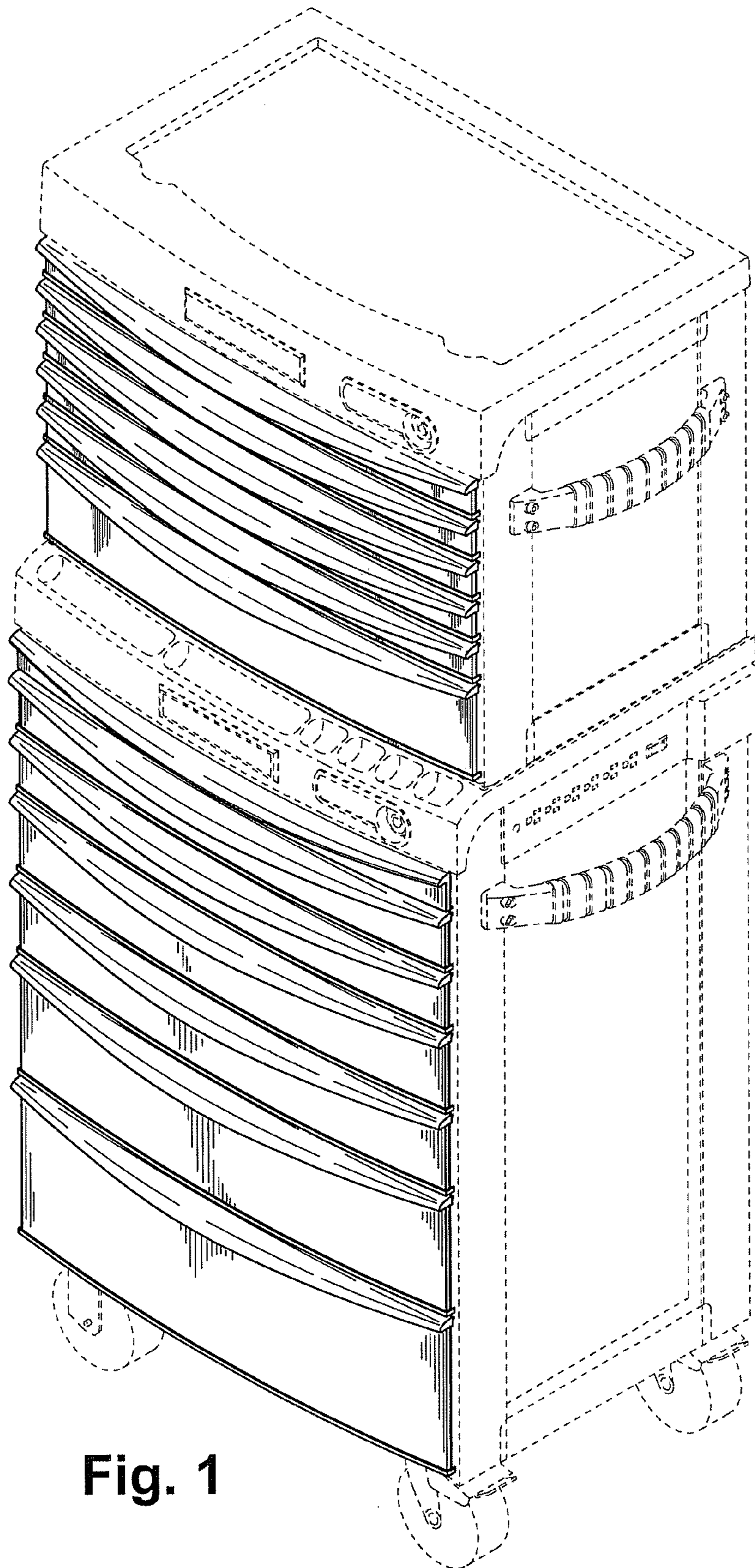


Fig. 1

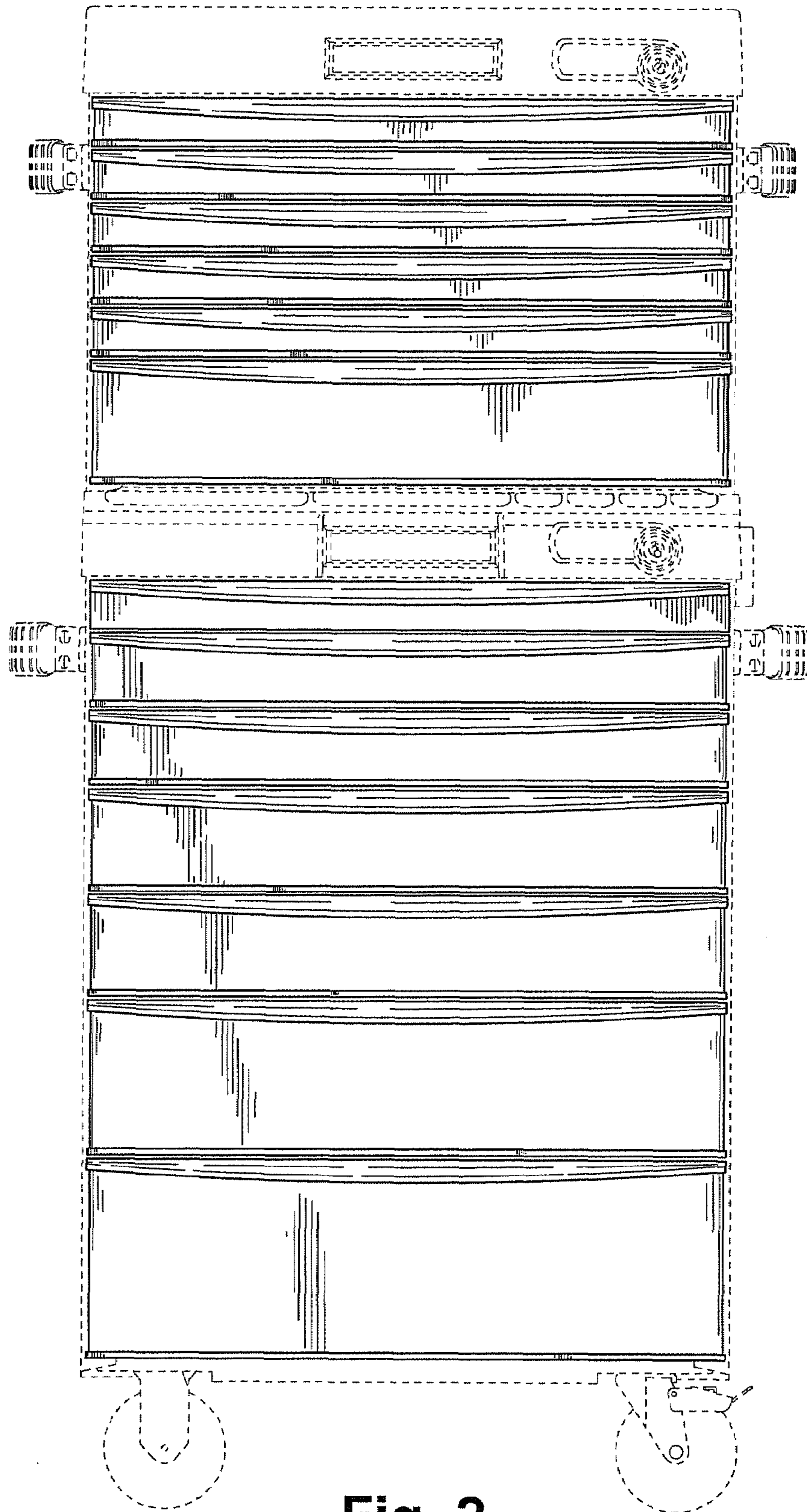


Fig. 2

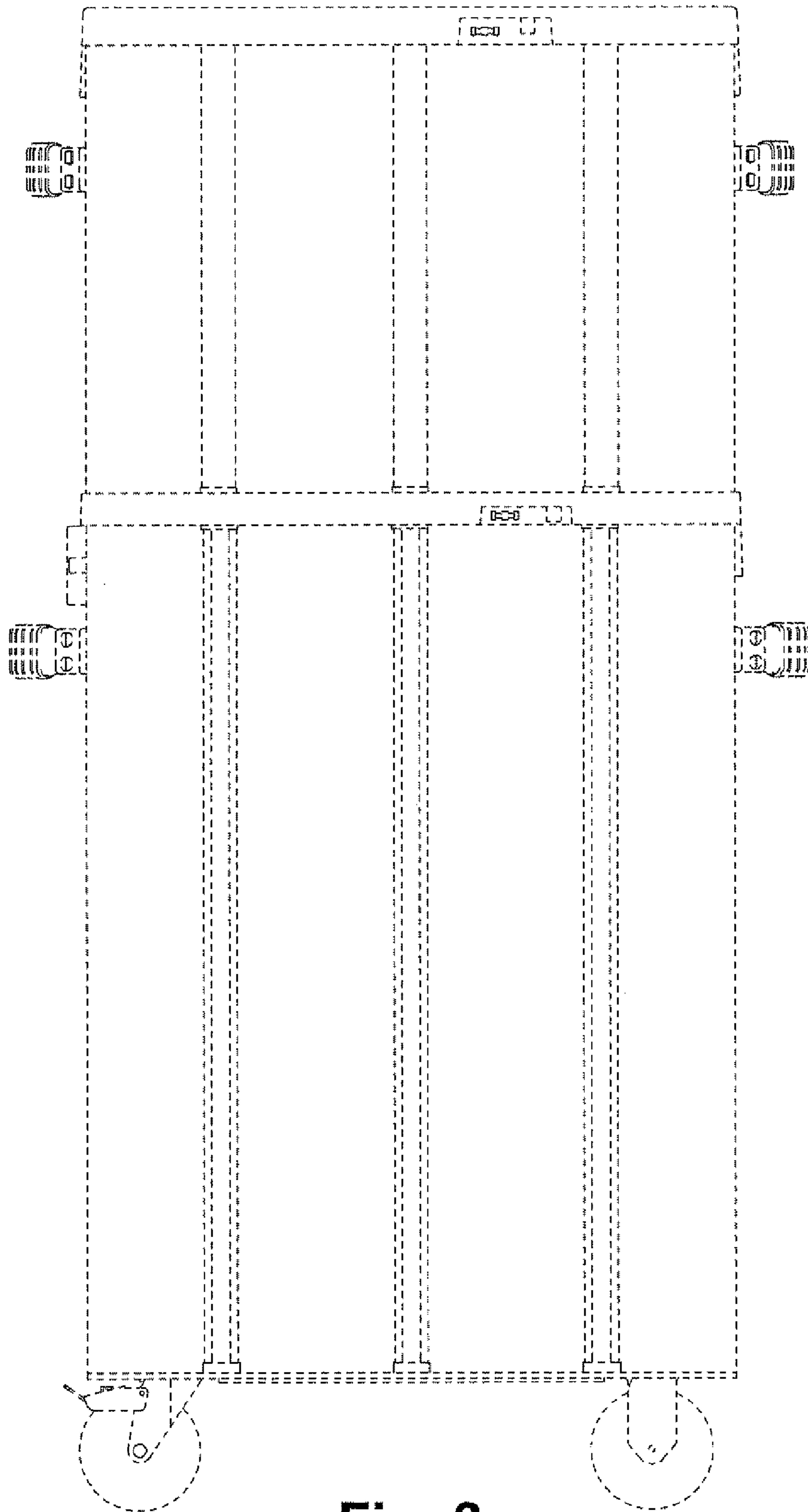


Fig. 3

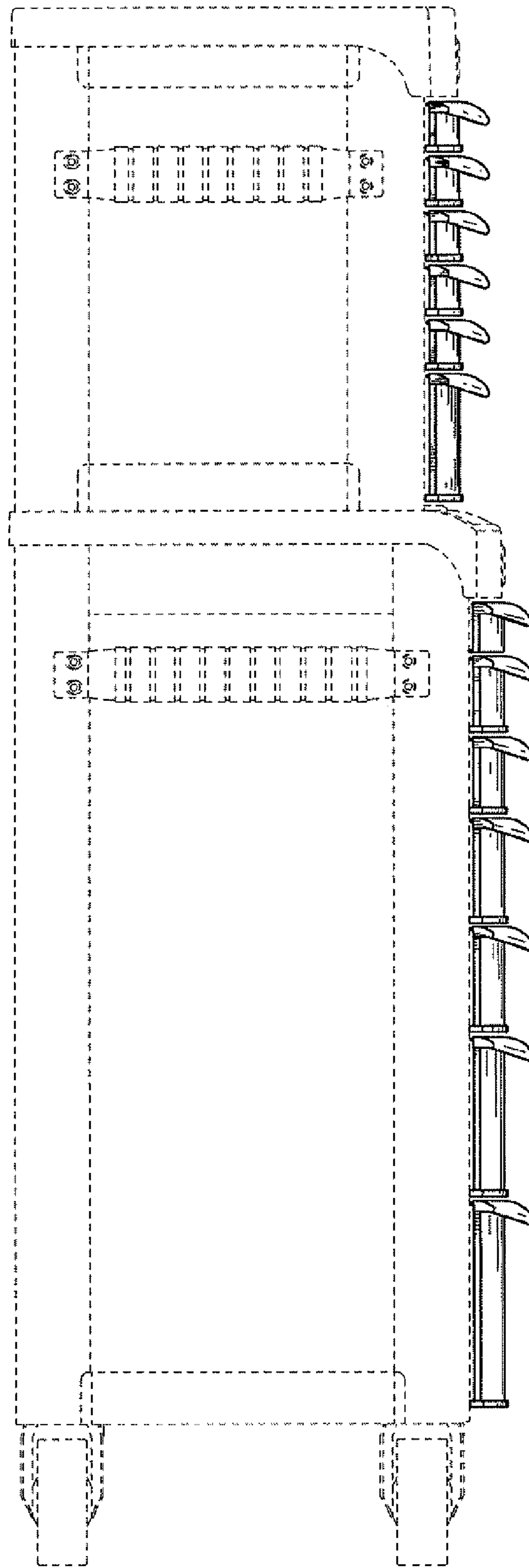


Fig. 4

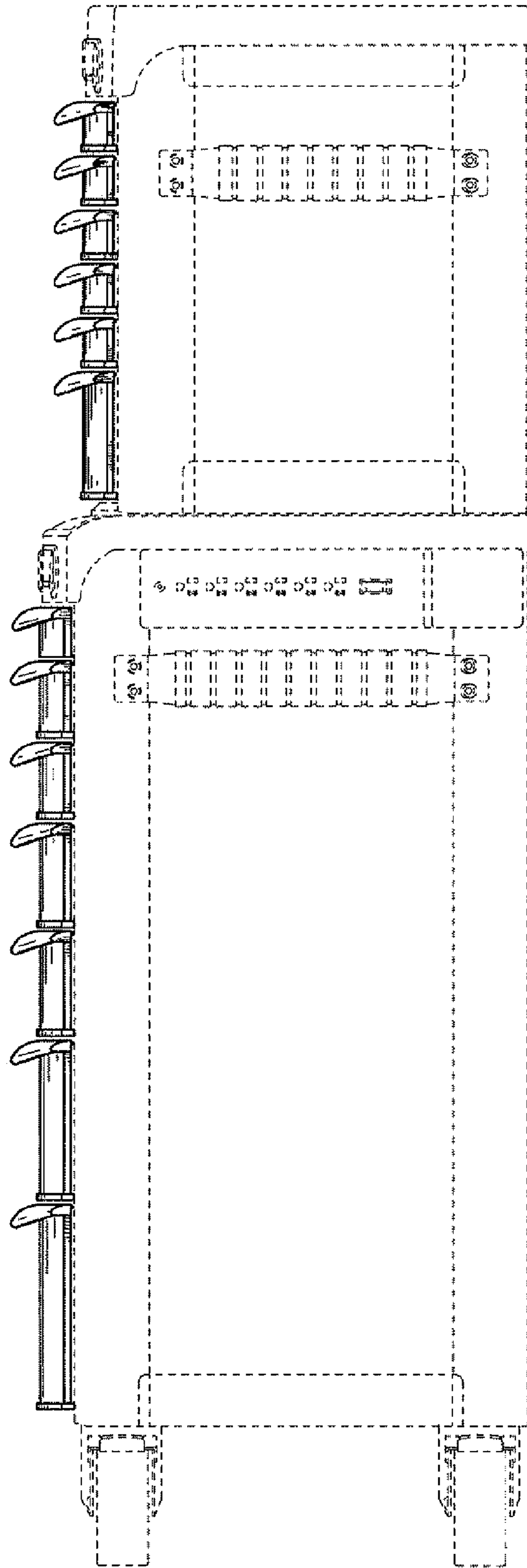


Fig. 5

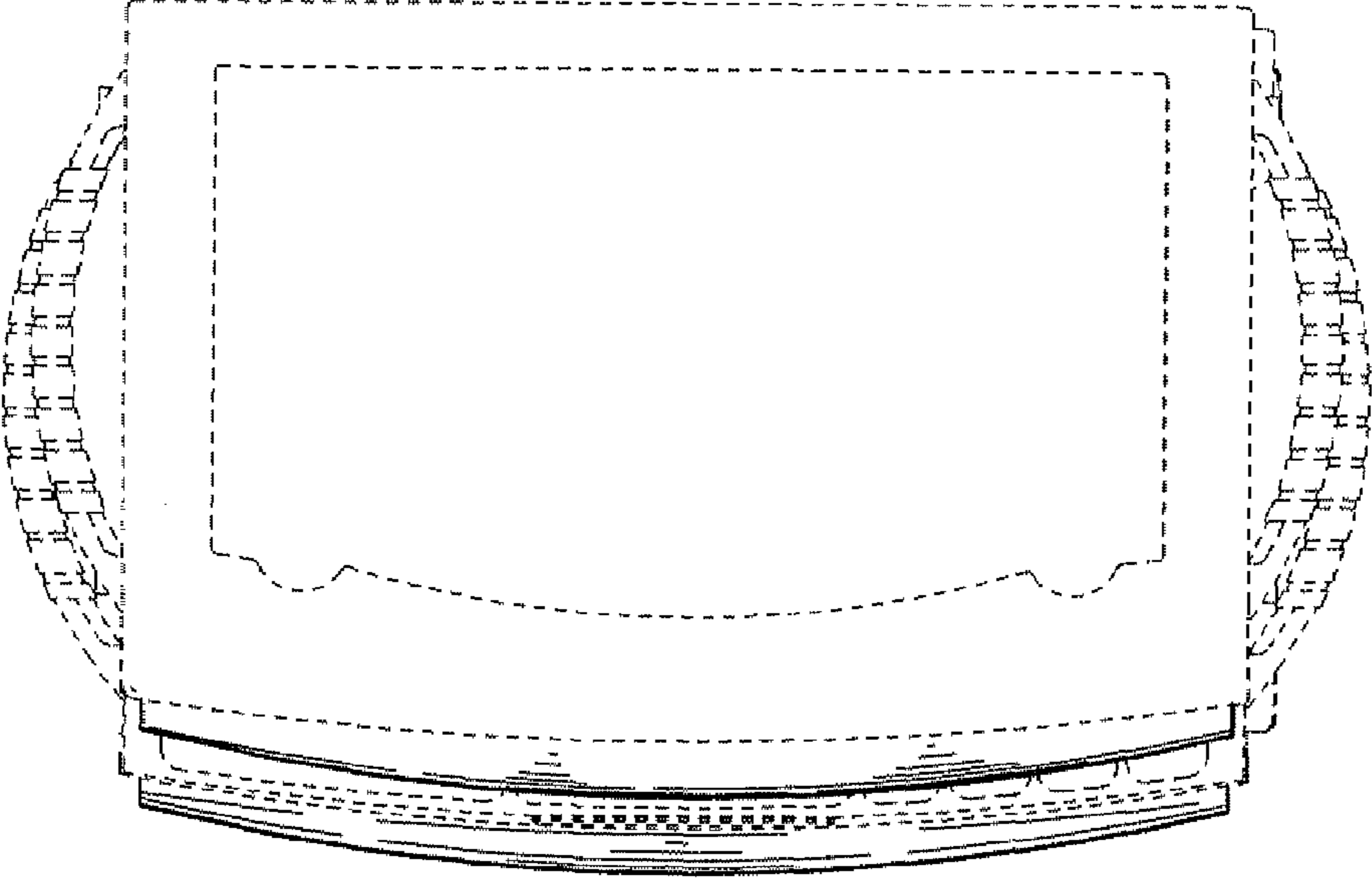


Fig. 6

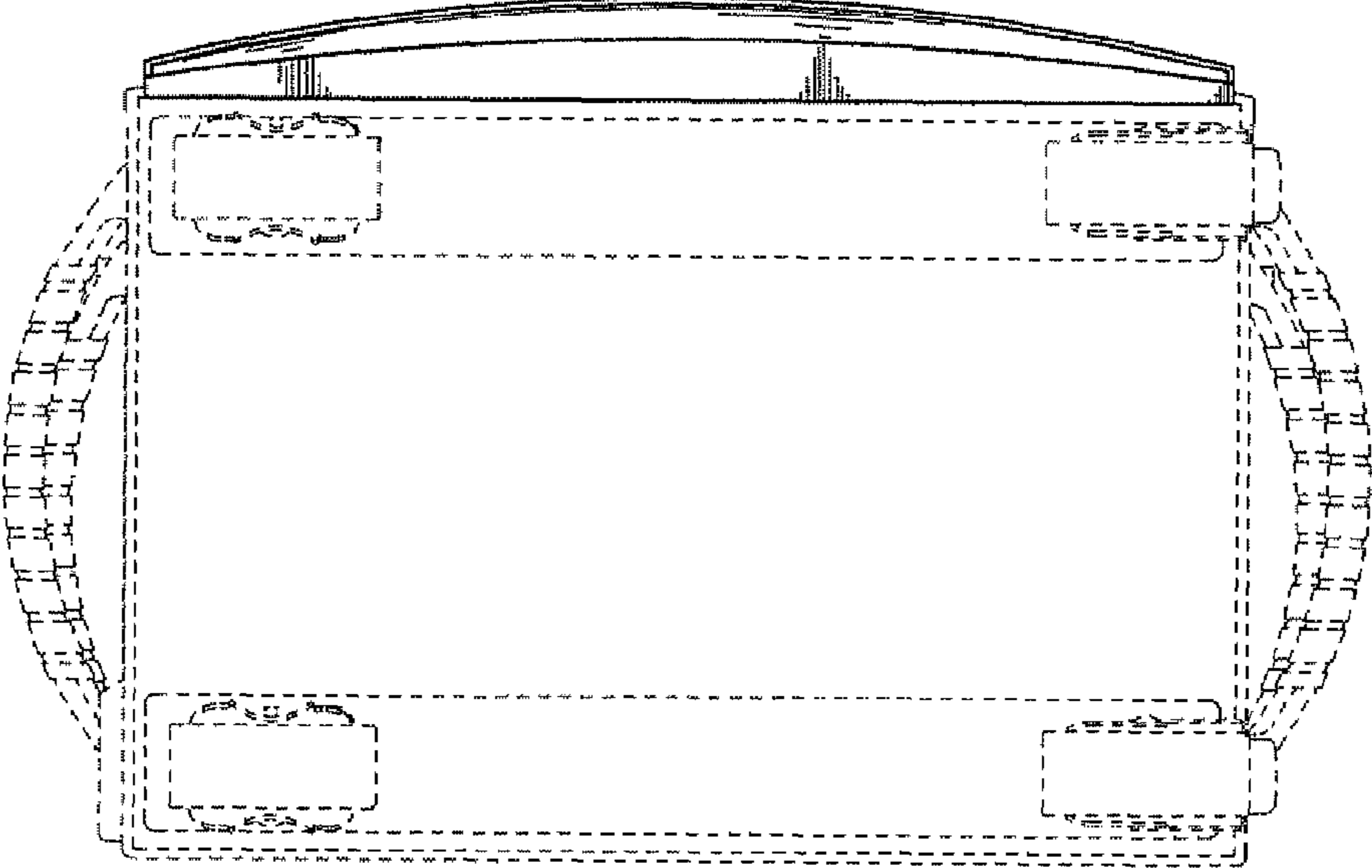


Fig. 7