



US00D586163S

(12) **United States Design Patent**
Hand

(10) **Patent No.:** **US D586,163 S**
(45) **Date of Patent:** **** Feb. 10, 2009**

(54) **TOOL CABINET**
(75) Inventor: **Jim Hand**, Glen Ellyn, IL (US)
(73) Assignee: **Waterloo Industries, Inc.**, Oak Creek, WI (US)
(**) Term: **14 Years**
(21) Appl. No.: **29/305,758**
(22) Filed: **Mar. 27, 2008**
(51) **LOC (9) Cl.** **06-06**
(52) **U.S. Cl.** **D6/510; D6/455; D6/446**
(58) **Field of Classification Search** D6/396, D6/397, 432, 436-448, 491, 509, 510, 511; 312/107, 117, 138.1, 204, 237, 249.11, 249.12, 312/257.1, 308, 311, 348.4; D3/279, 297, D3/905; D34/19, 20, 21
See application file for complete search history.

D412,626 S 8/1999 Johnson et al.
D423,817 S * 5/2000 Holcomb et al. D6/445
D423,818 S 5/2000 Holcomb et al.
D427,807 S 7/2000 Holcomb et al.
6,109,709 A 8/2000 Holcomb et al.
D430,426 S 9/2000 Bieker et al.
6,176,559 B1 1/2001 Tiramani et al.
D448,168 S 9/2001 Johnston
D449,181 S 10/2001 Story et al.
D453,074 S 1/2002 Johnston
6,347,847 B1 2/2002 Tiramani et al.
D455,902 S 4/2002 Wolf
D457,704 S 5/2002 Fiscus et al.
D461,067 S * 8/2002 Frank et al. D6/446
D470,687 S 2/2003 Binse et al.
D477,724 S * 7/2003 Bishop D6/434
D505,237 S 5/2005 Schmidt et al.
D506,090 S 6/2005 Ben-Or
D514,854 S 2/2006 Schmidt et al.

(Continued)

Primary Examiner—Mimosa De
(74) Attorney, Agent, or Firm—Calfee, Halter & Griswold LLP

(56) **References Cited**

U.S. PATENT DOCUMENTS

D205,522 S 8/1966 Doman
D218,080 S 7/1970 Sierzega
4,120,549 A 10/1978 Bureau
D286,714 S * 11/1986 Verholt D6/446
D327,967 S 7/1992 Hikawa
D341,253 S 11/1993 Ballman et al.
D348,574 S * 7/1994 Brunner et al. D6/446
5,332,305 A 7/1994 Slivon et al.
5,443,311 A 8/1995 Kadlecek et al.
D361,910 S 9/1995 Maple et al.
D370,342 S 6/1996 Gwyther
D370,572 S 6/1996 Lin
D372,378 S 8/1996 Kruger
5,607,214 A 3/1997 Pierce et al.
D381,166 S 7/1997 Bonazza
D385,722 S 11/1997 Yemini
D386,626 S 11/1997 Yemini
5,720,535 A 2/1998 Mehman
D393,541 S 4/1998 Calmeise
D394,562 S 5/1998 Di Blasi
5,857,757 A 1/1999 Bieker et al.

(57) **CLAIM**

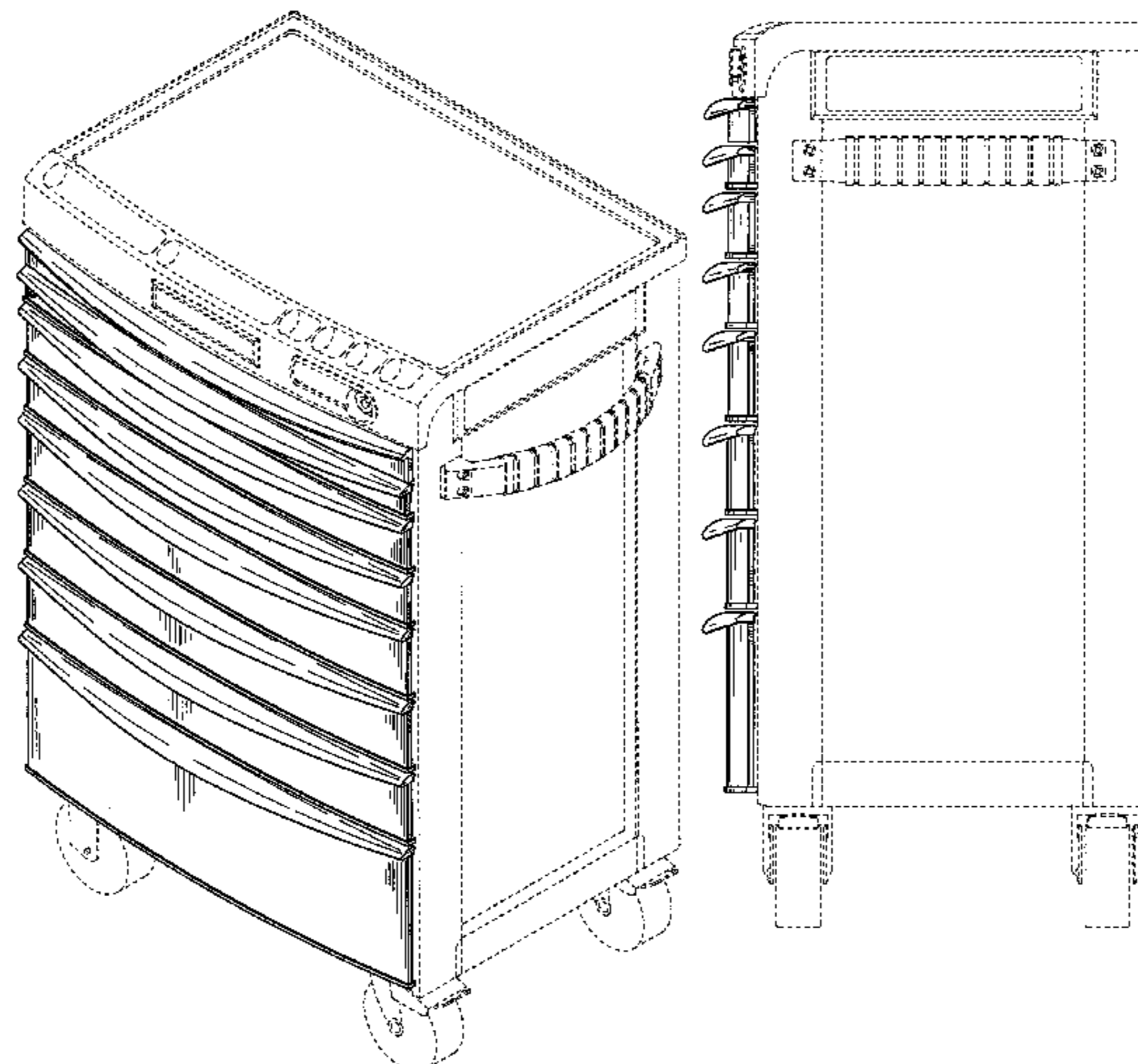
I claim the ornamental design for a tool cabinet, as shown and described.

DESCRIPTION

FIG. 1 is a perspective view of a tool cabinet of the new design;
FIG. 2 is a front elevation view of the tool cabinet of FIG. 1;
FIG. 3 is a rear view of the tool cabinet of FIG. 1;
FIG. 4 is a left side view of the tool cabinet of FIG. 1;
FIG. 5 is a right side view of the tool cabinet of FIG. 1;
FIG. 6 is a top view of the tool cabinet of FIG. 1; and,
FIG. 7 is a bottom view of the tool cabinet of FIG. 1.

The portions of the Figures shown in phantom lines form no part of the claimed design and for illustrative purposes only.

1 Claim, 6 Drawing Sheets



US D586,163 S

Page 2

U.S. PATENT DOCUMENTS

D517,805 S	3/2006	Hosking				
D520,264 S	5/2006	Mehmen et al.				
D520,784 S	5/2006	Schmidt et al.				
D524,506 S *	7/2006	Hay et al.	D34/20			
D526,782 S	8/2006	Hosking				
D547,160 S	7/2007	Hand				
D554,370 S	11/2007	Hand				
				D554,864 S	11/2007	Hand
				D560,079 S	1/2008	Mehmen
				D563,103 S	3/2008	Hand
				D574,629 S *	8/2008	Kalkwarf D6/445
				2002/0030425 A1	3/2002	Tiramani et al.
				2002/0074905 A1	6/2002	Tiramani et al.
				2008/0129173 A1 *	6/2008	Freeberg et al. 312/348.4

* cited by examiner

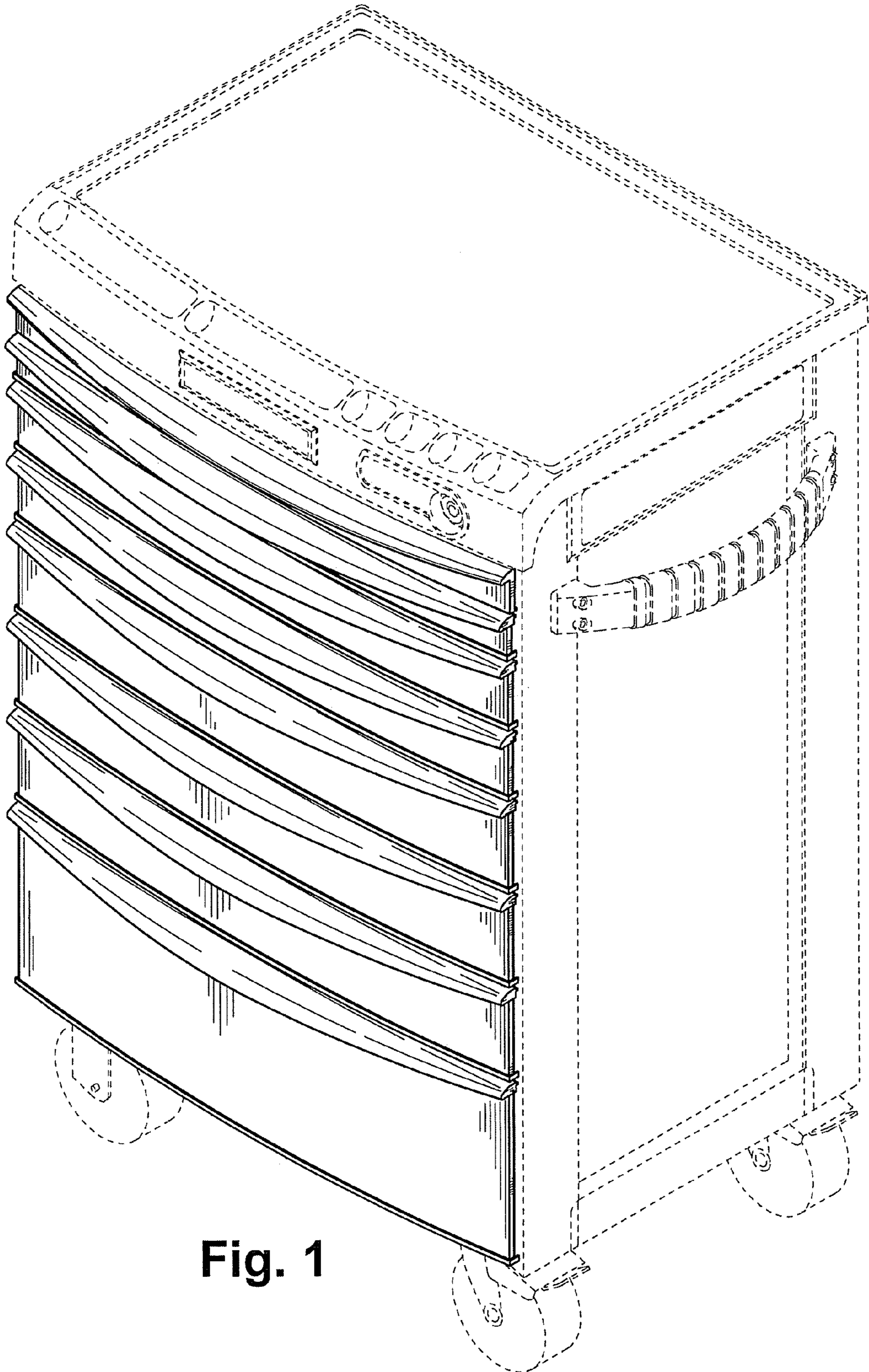


Fig. 1

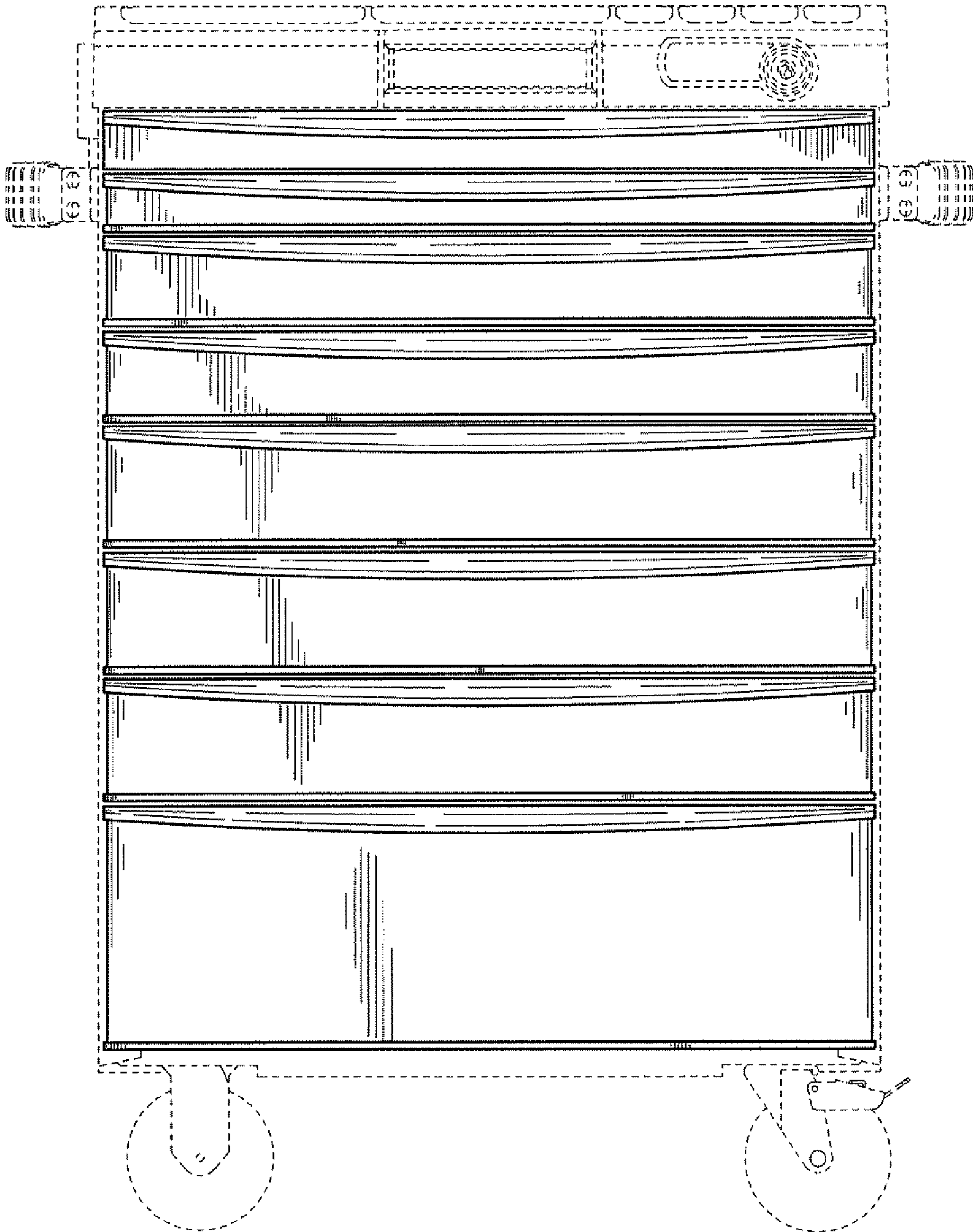


Fig. 2

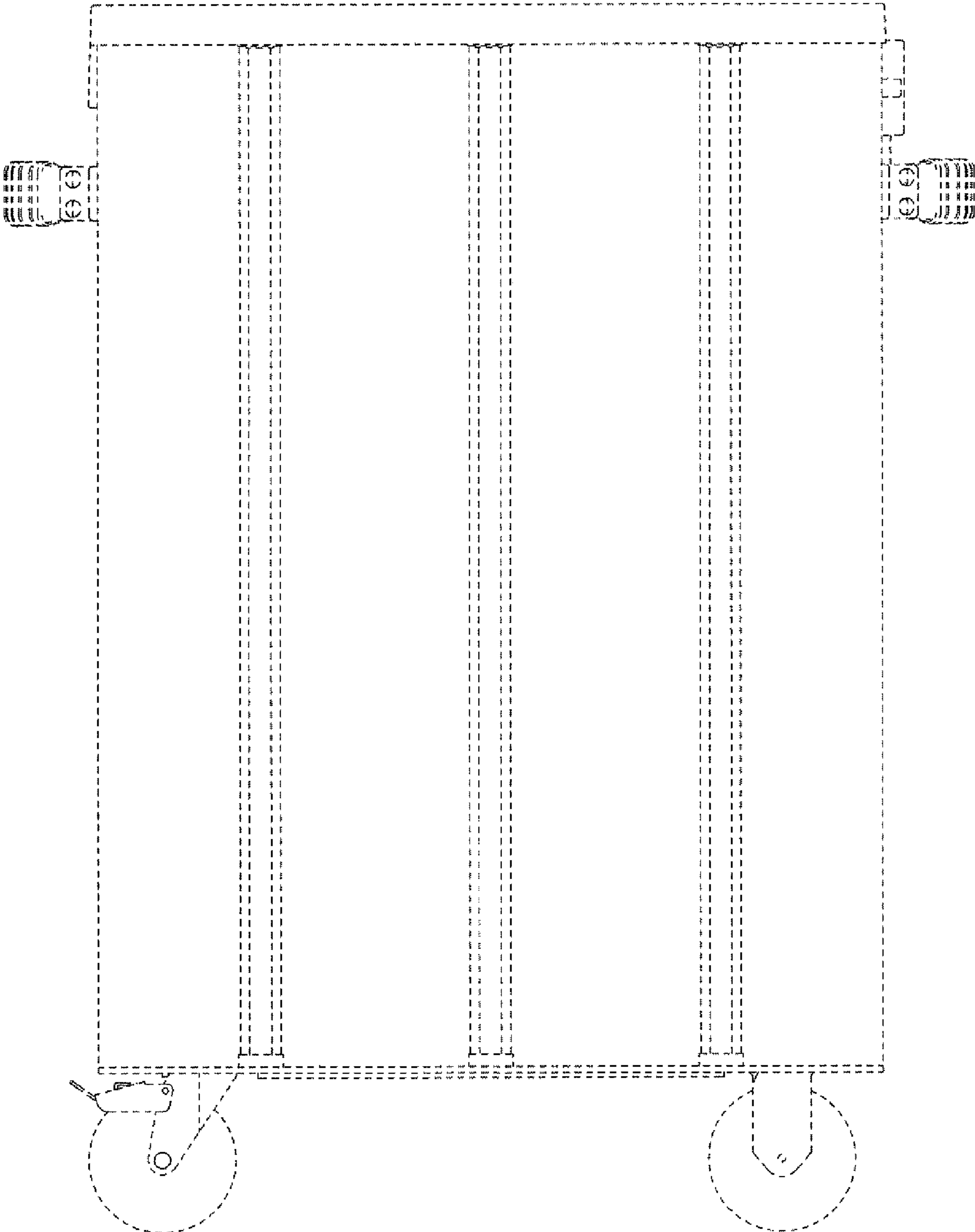


Fig. 3

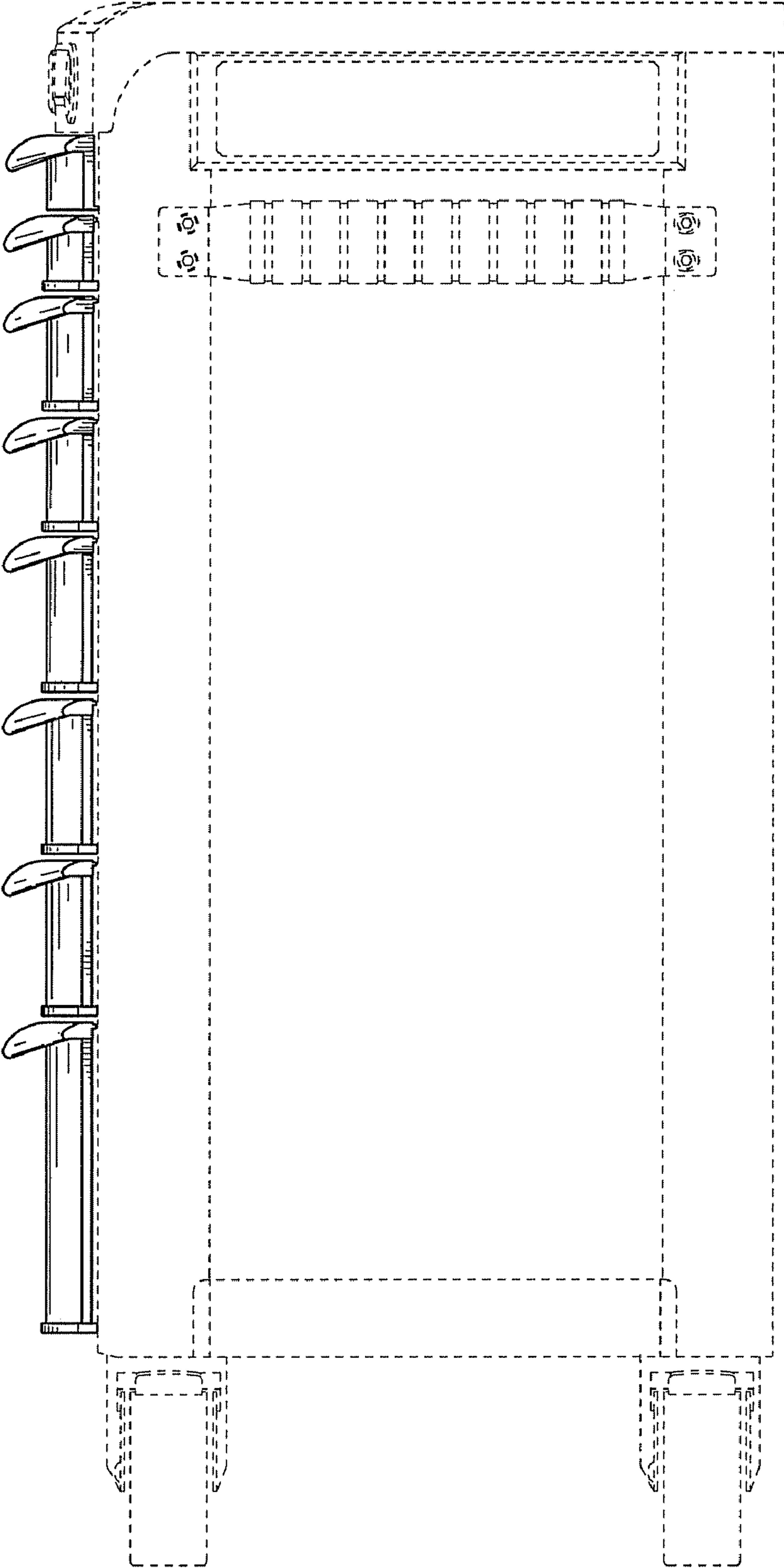


Fig. 4

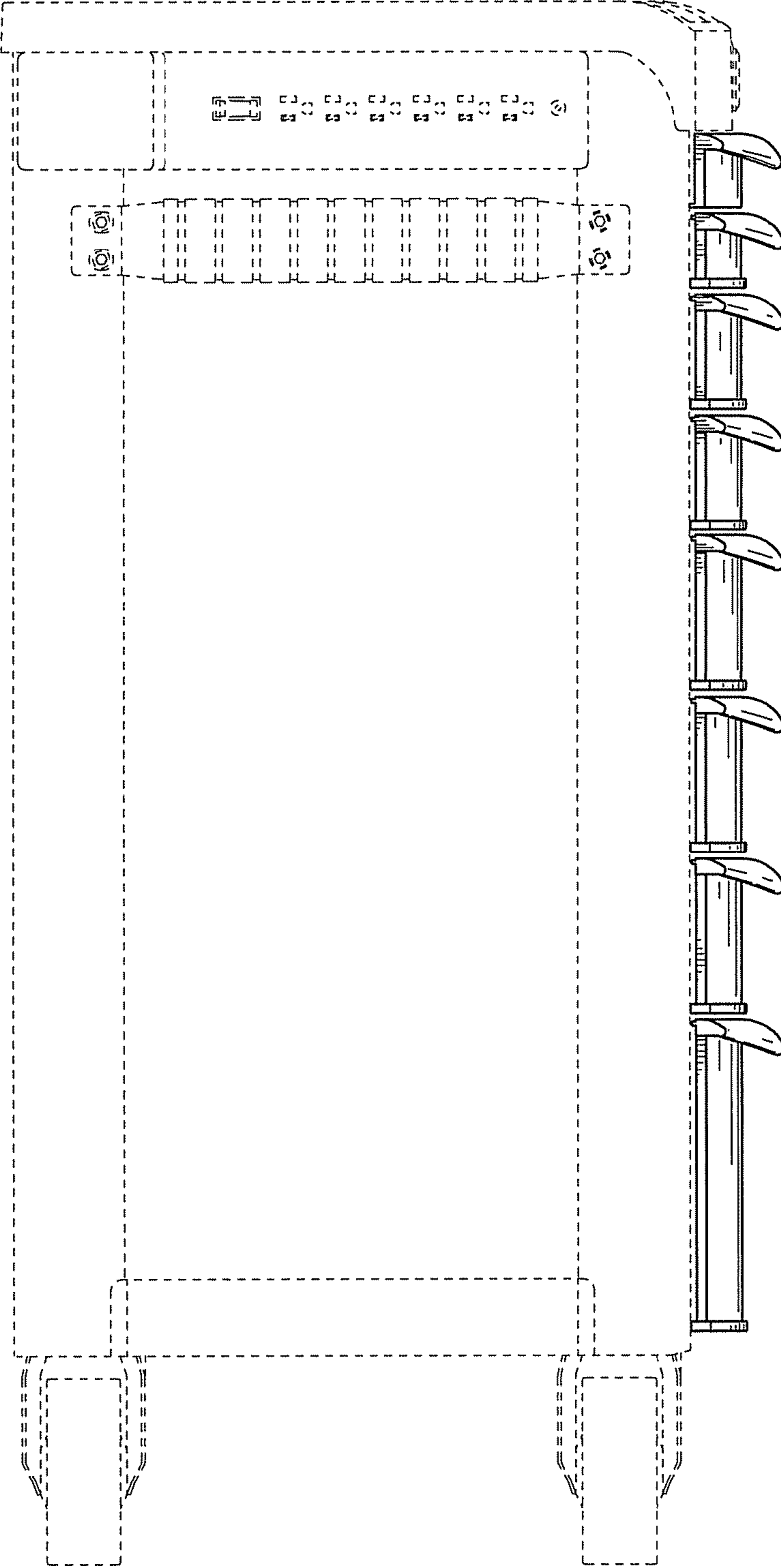


Fig. 5

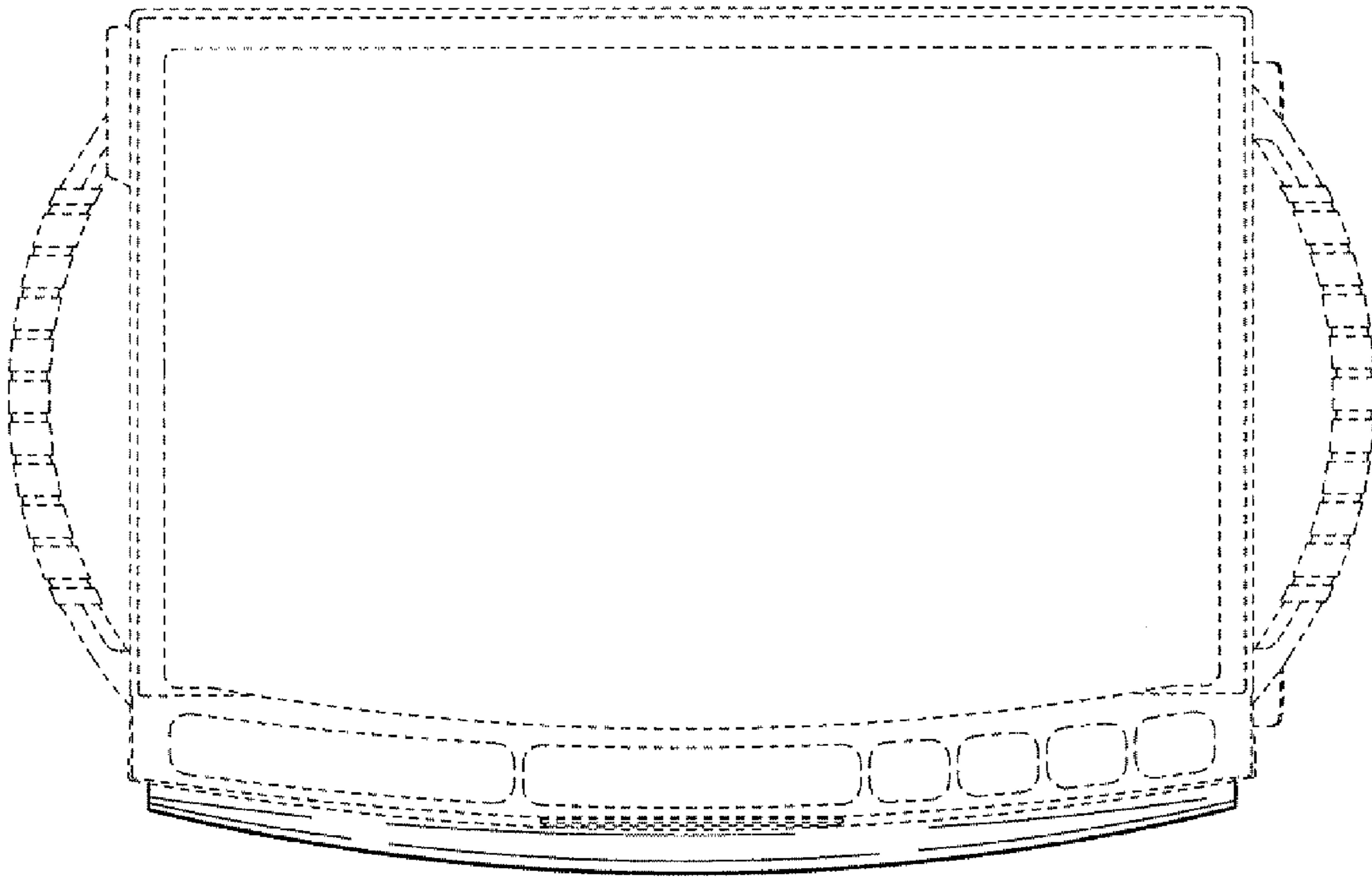


Fig. 6

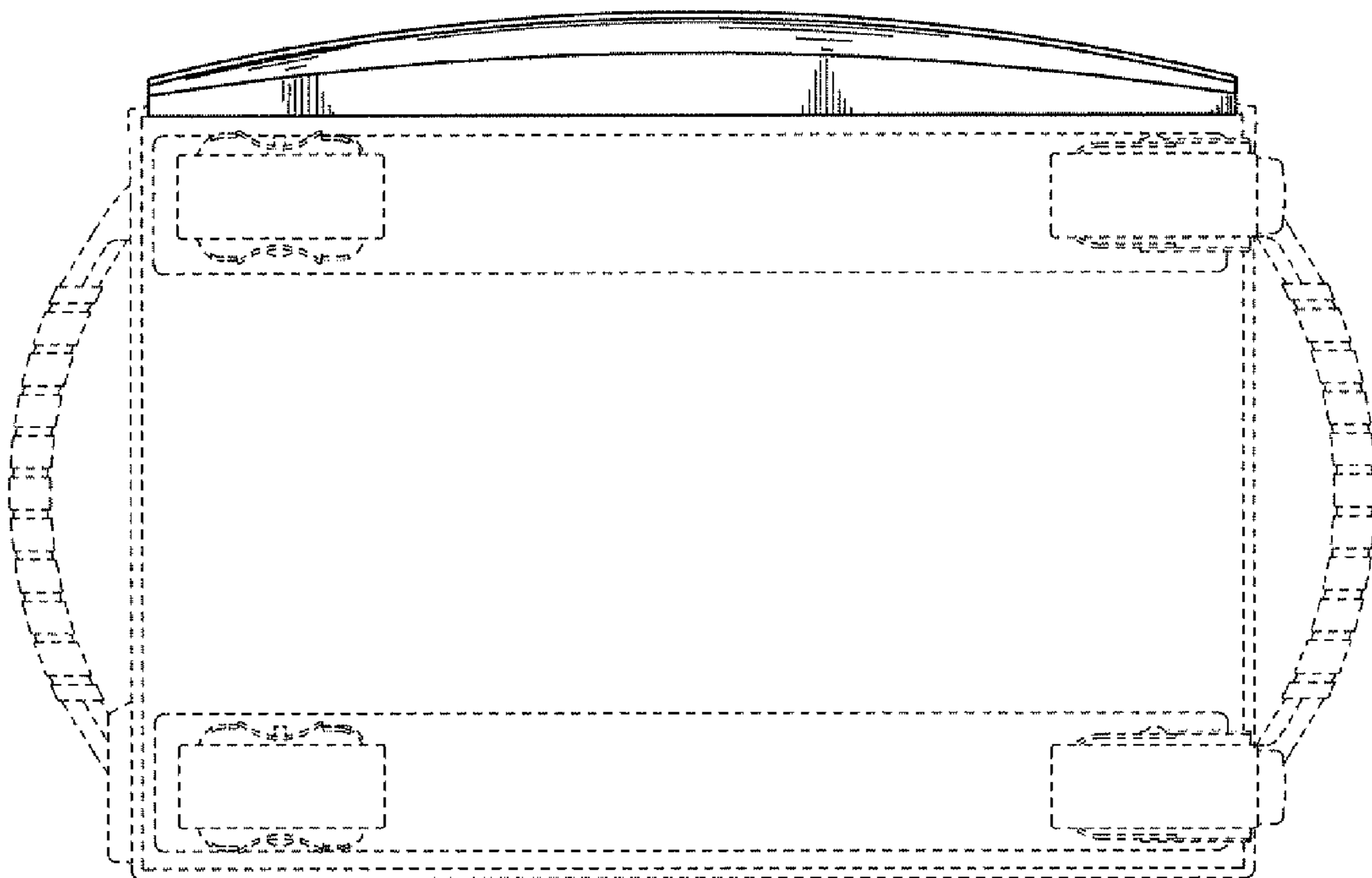


Fig. 7