



US00D586161S

(12) **United States Design Patent**  
**Tsai**

(10) **Patent No.:** **US D586,161 S**  
(45) **Date of Patent:** **\*\* Feb. 10, 2009**

(54) **CHAIR ARMREST**

(76) Inventor: **Po-Chuan Tsai**, 144, Zhung Zhou,  
Zhungsheng Cun, Rende Hsiang, Tainan  
Hsien (TW)

(\*\*) Term: **14 Years**

(21) Appl. No.: **29/318,995**

(22) Filed: **Jun. 2, 2008**

(51) **LOC (9) Cl.** ..... **06-01**

(52) **U.S. Cl.** ..... **D6/501**

(58) **Field of Classification Search** ..... D6/364-367,  
D6/376, 374, 379, 491, 500-502; 297/411.2,  
297/411.26, 411.27, 411.34, 411.36, 452.37,  
297/463.1

See application file for complete search history.

(56) **References Cited**

**U.S. PATENT DOCUMENTS**

D411,396 S *	6/1999	Stumpf	.....	D6/501
D446,411 S *	8/2001	Ho	.....	D6/500
D488,652 S *	4/2004	Lee	.....	D6/501
D500,218 S *	12/2004	Koepke et al.	.....	D6/501
D502,828 S *	3/2005	Lin	.....	D6/501
D505,579 S *	5/2005	Koepke et al.	.....	D6/501
D506,337 S *	6/2005	Wang	.....	D6/501
D535,505 S *	1/2007	Cai	.....	D6/501

D537,280 S *	2/2007	Cai	.....	D6/501
D538,074 S *	3/2007	Chen	.....	D6/501
D543,389 S *	5/2007	Mazzera	.....	D6/501
D547,981 S *	8/2007	Cohen	.....	D6/501
D557,950 S *	12/2007	Lu	.....	D6/501

\* cited by examiner

*Primary Examiner*—Caron Veynar

*Assistant Examiner*—Abraham Bahta

(74) *Attorney, Agent, or Firm*—Alan Kamrath; Kamrath & Associates PA

(57) **CLAIM**

The ornamental design for a chair armrest, as shown and described.

**DESCRIPTION**

FIG. 1 is a perspective view of a chair armrest showing my design;

FIG. 2 is a front elevational view thereof;

FIG. 3 is a rear elevational view thereof;

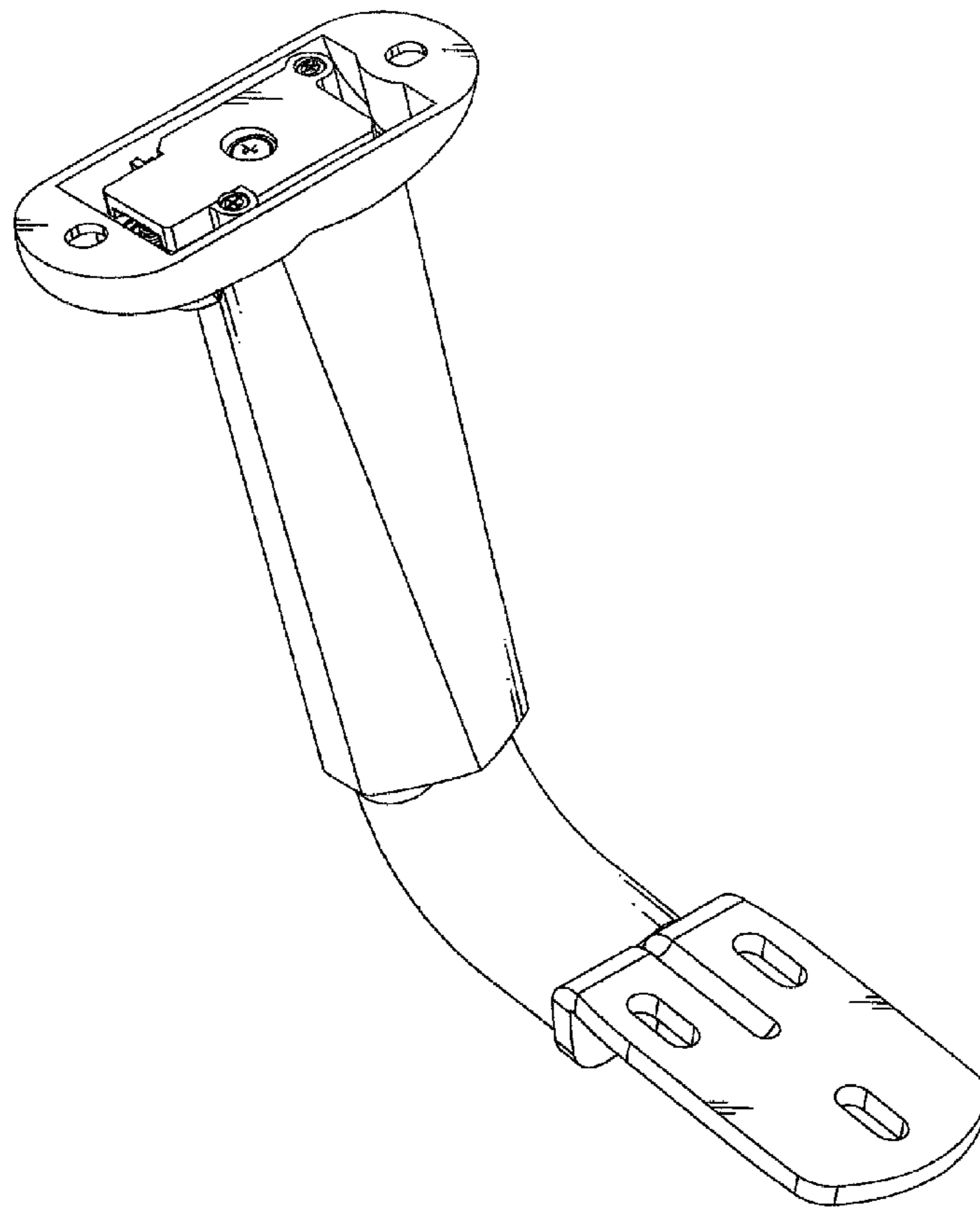
FIG. 4 is a left side elevational view thereof;

FIG. 5 is a right side elevational view thereof;

FIG. 6 is a top plan view thereof; and,

FIG. 7 is a bottom plan view thereof.

**1 Claim, 4 Drawing Sheets**



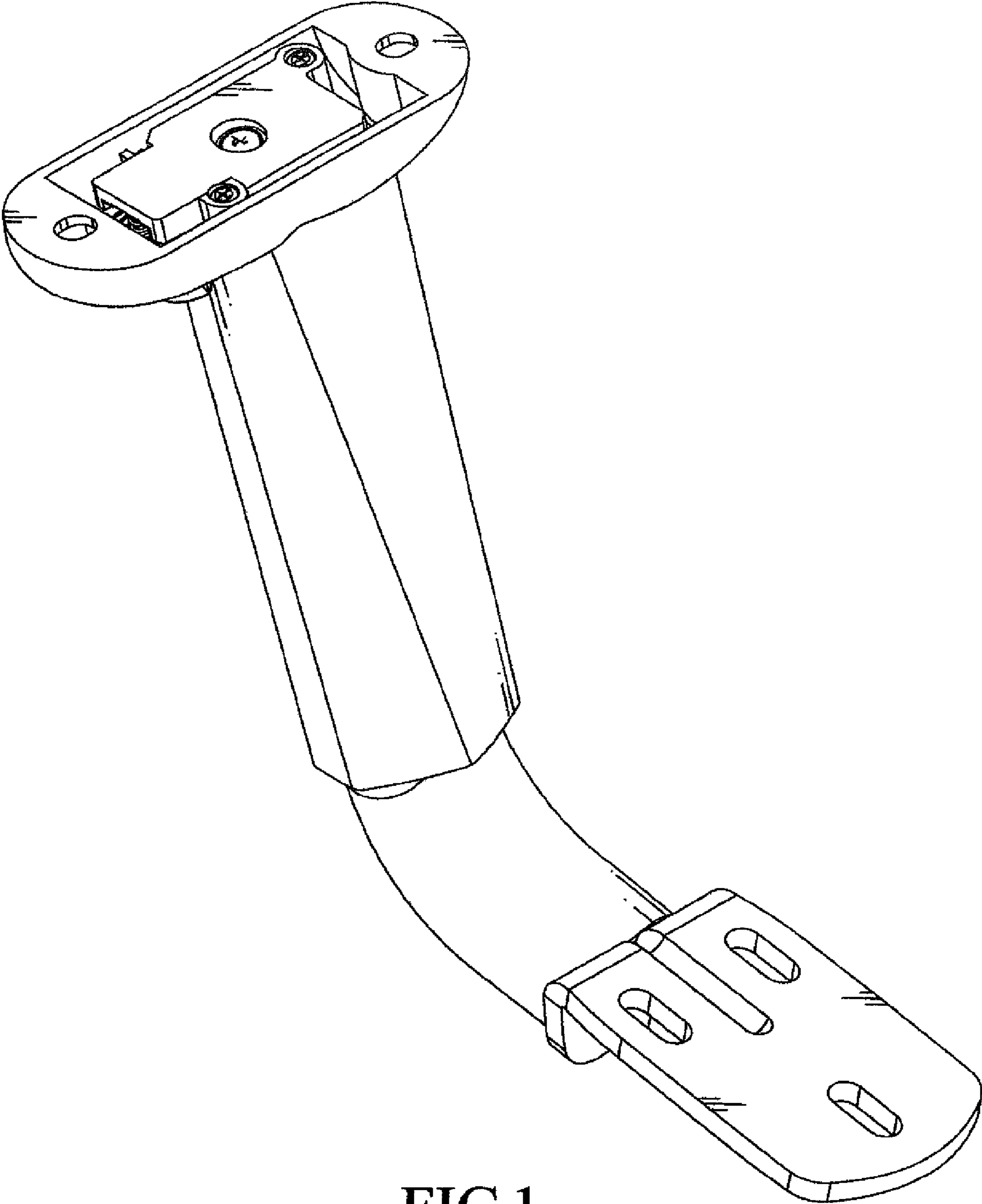


FIG. 1

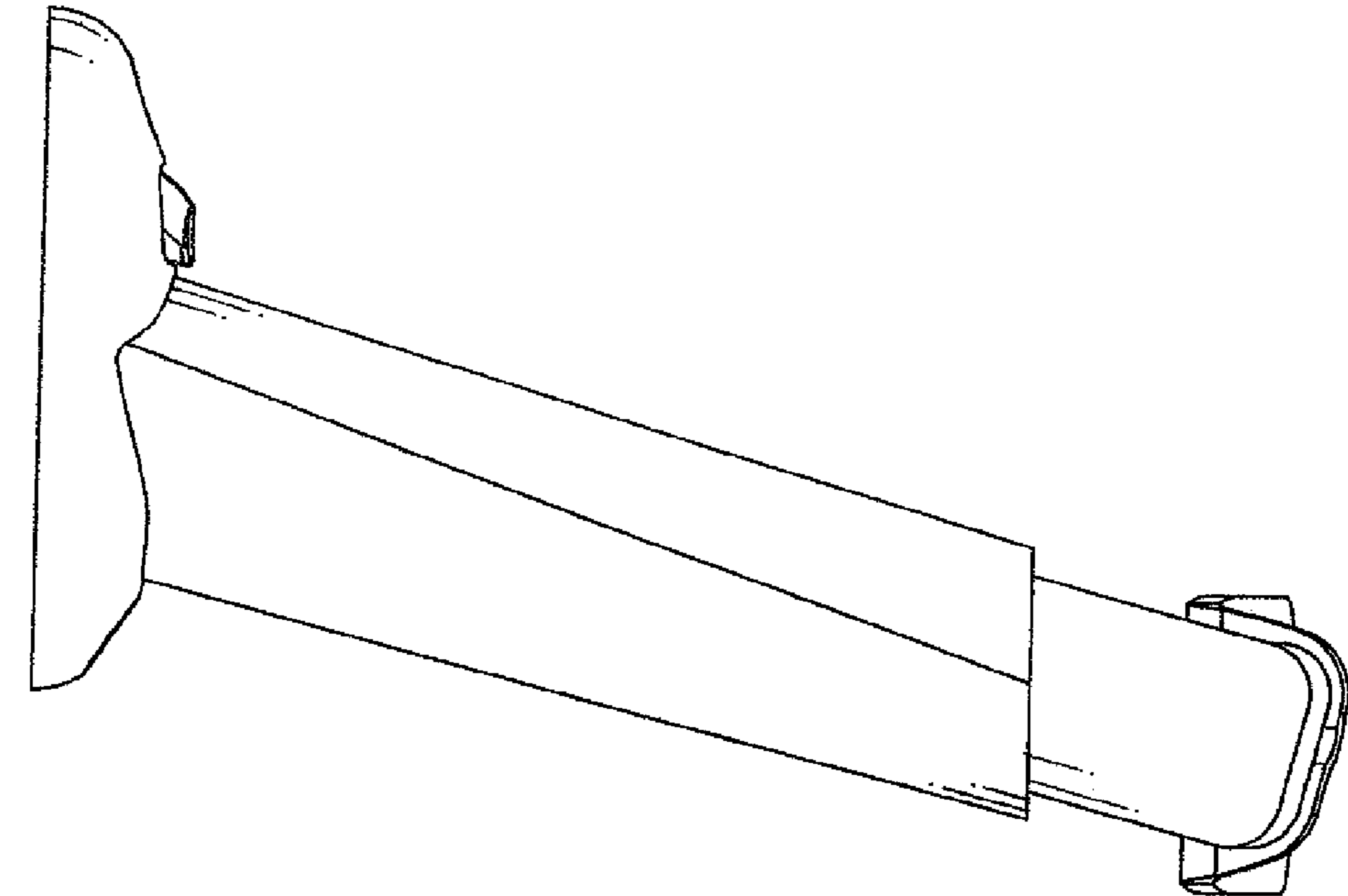


FIG.3

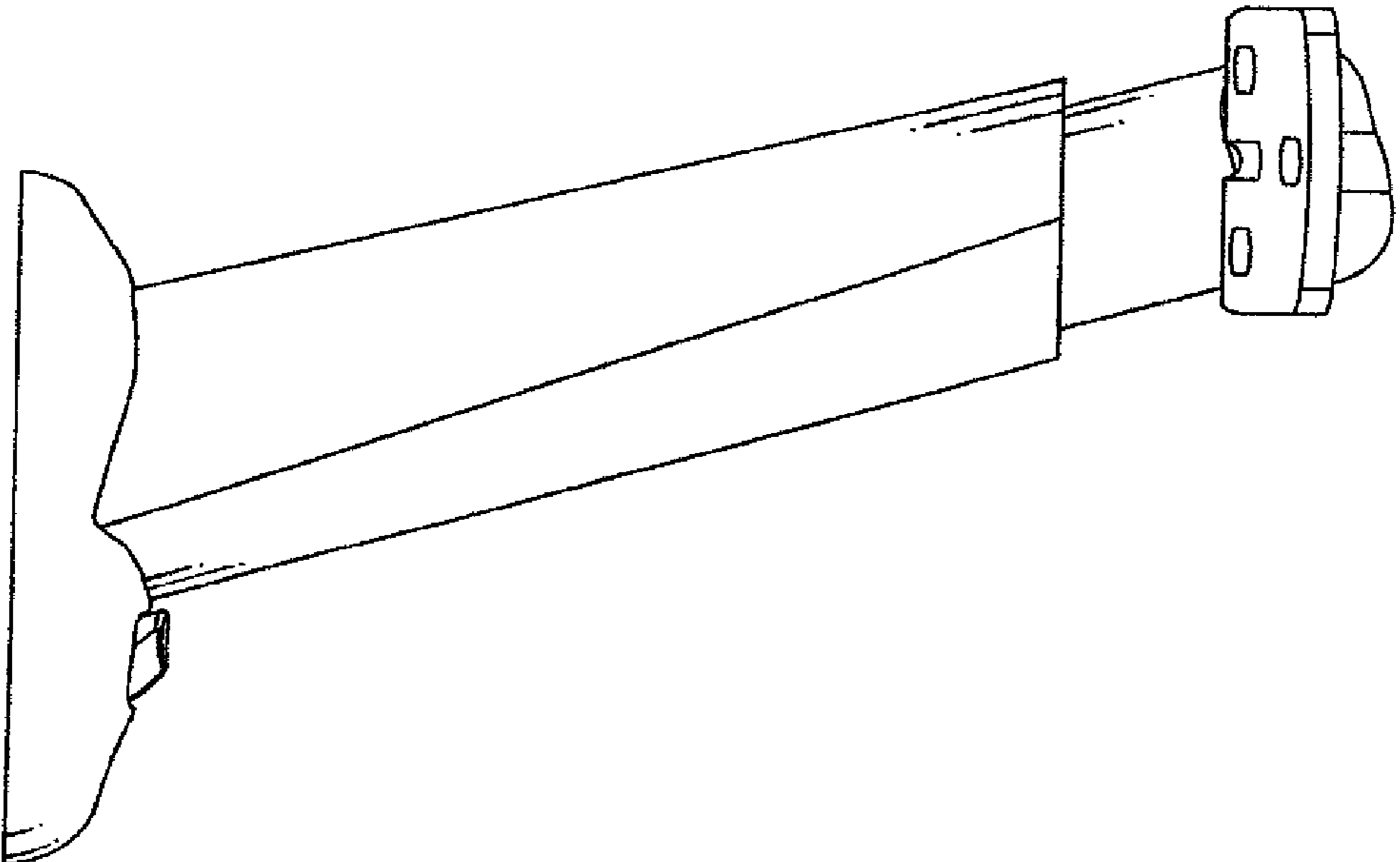


FIG.2

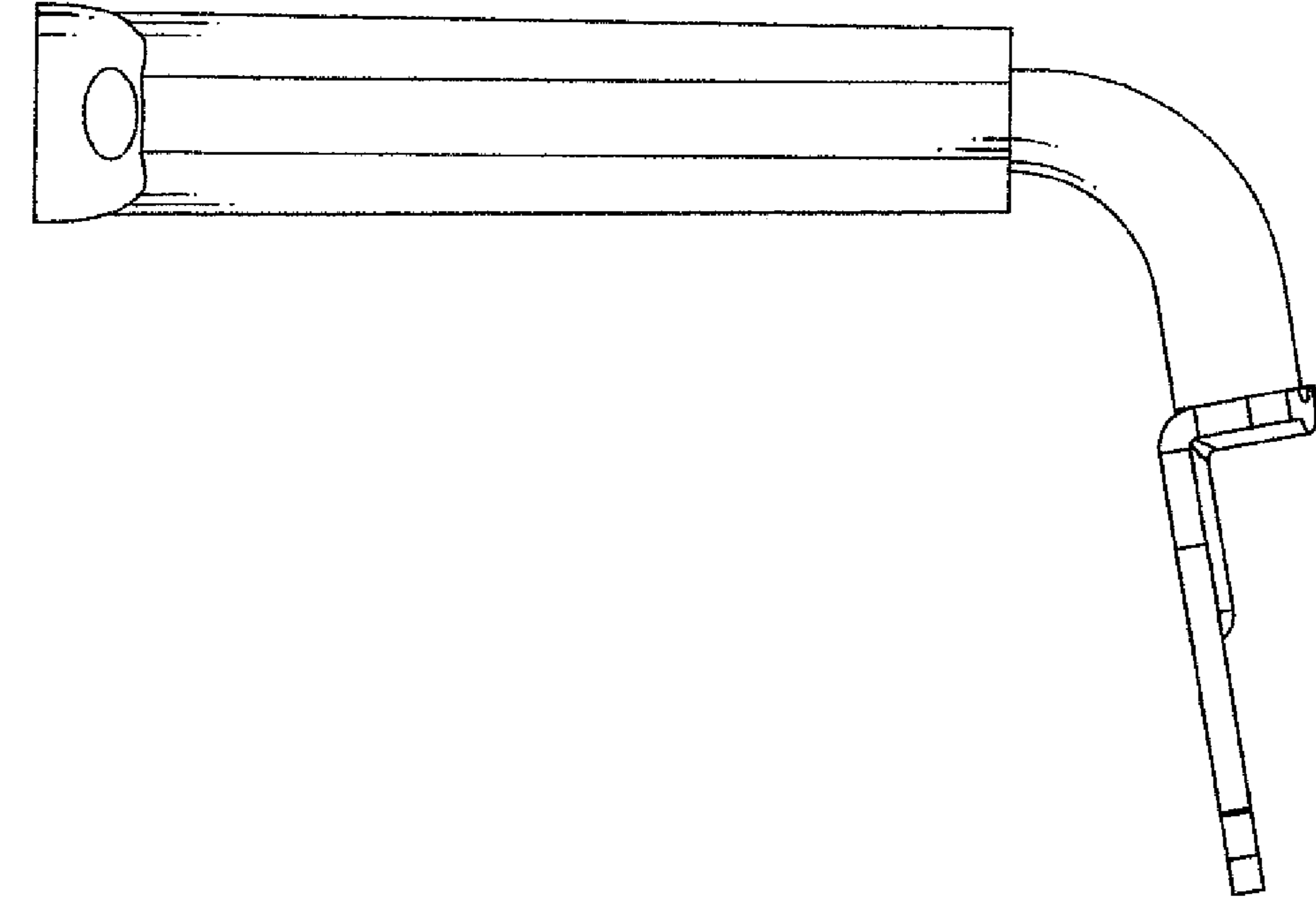


FIG.5

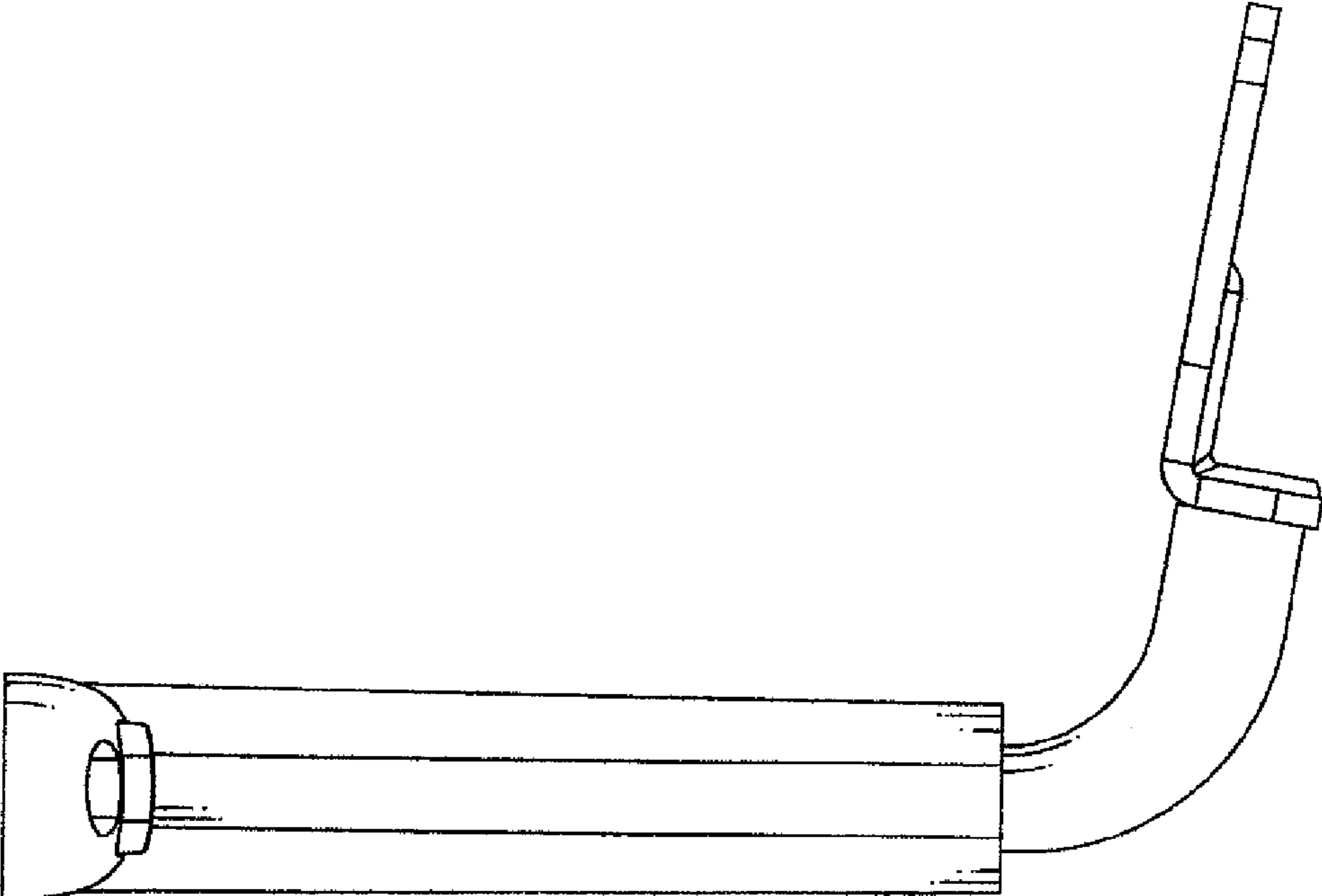


FIG.4

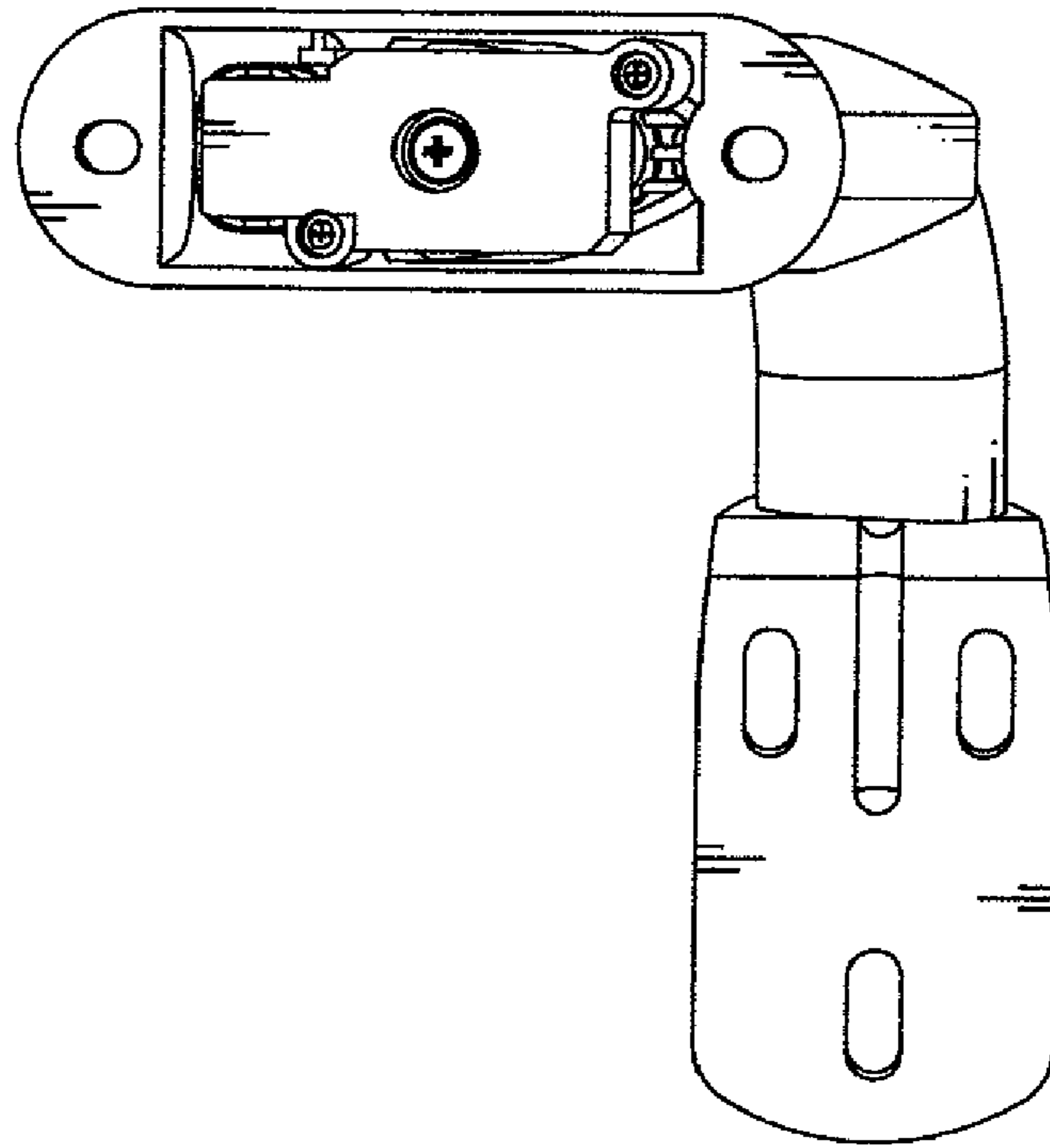


FIG. 6

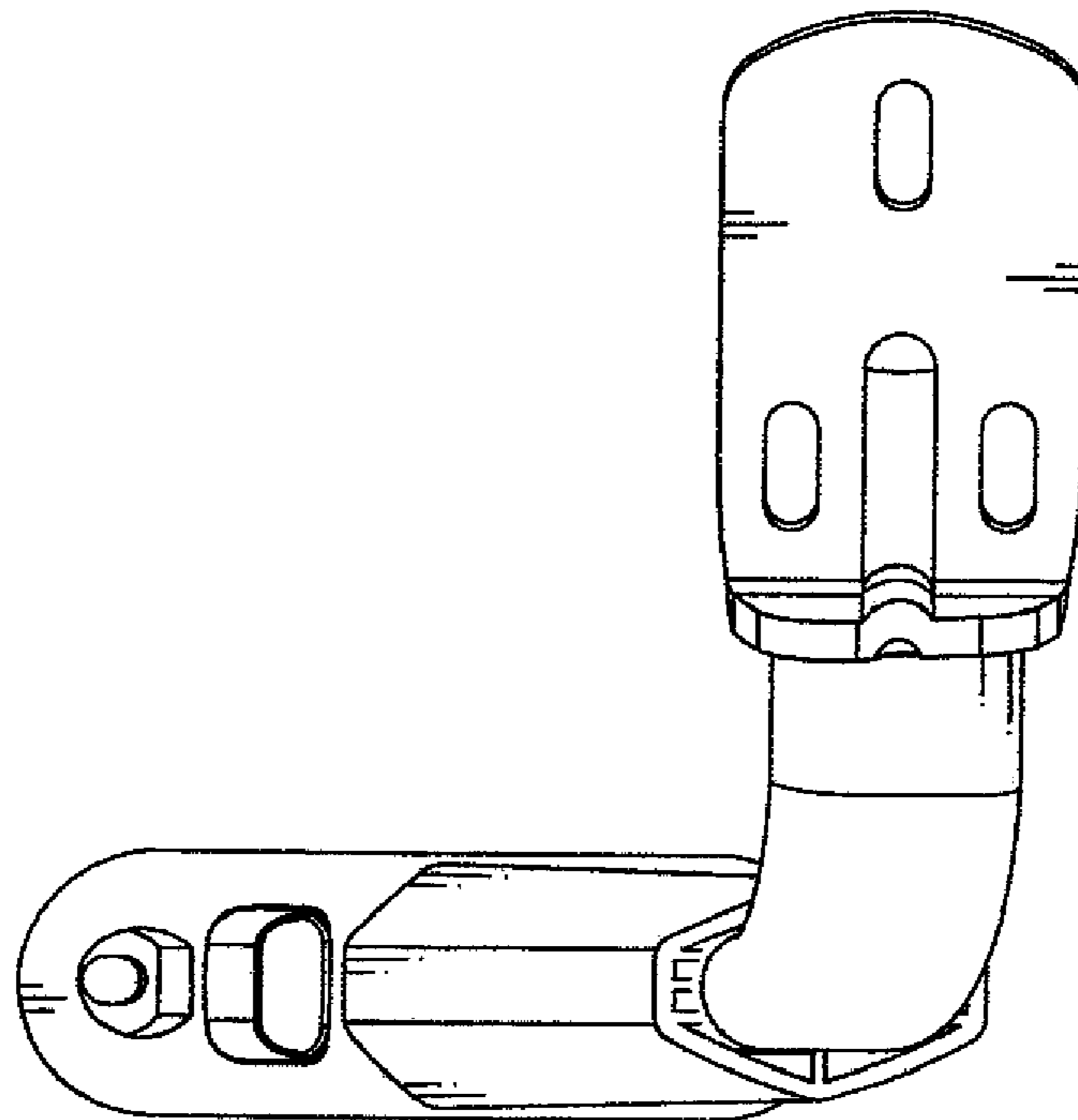


FIG. 7