



US00D586160S

(12) **United States Design Patent**
Lenterman

(10) **Patent No.:** **US D586,160 S**

(45) **Date of Patent:** **** Feb. 10, 2009**

(54) **ARMREST FOR A CHAIR**

D557,953 S * 12/2007 Mazzera D6/501
D557,954 S * 12/2007 Mazzera D6/501

(75) Inventor: **Henri B. Lenterman**, Chino Hills, CA
(US)

* cited by examiner

(73) Assignee: **Intro-Tech Automotive, Inc.**, Chino, CA
(US)

Primary Examiner—Caron Veynar

Assistant Examiner—Abraham Bahta

(**) Term: **14 Years**

(74) *Attorney, Agent, or Firm*—Intellectual Property Law
Office of Joel D. Voelzke

(21) Appl. No.: **29/305,605**

(57) **CLAIM**

(22) Filed: **Mar. 25, 2008**

The ornamental design for an armrest for a chair, as shown
and described.

(51) **LOC (9) Cl.** **06-01**

(52) **U.S. Cl.** **D6/501**

(58) **Field of Classification Search** D6/334,
D6/364–367, 374, 376, 379, 491, 500–502;
297/411.2, 411.27, 411.26, 411.36, 411.34,
297/452.37, 463.1

See application file for complete search history.

DESCRIPTION

FIG. 1 is a perspective view showing the front, left side, and
top of two armrests for a chair showing my new design, the
broken lines of a chair being for illustrative purposes only and
forming no part of my design;

(56) **References Cited**

U.S. PATENT DOCUMENTS

D444,008 S *	6/2001	Simons et al.	D6/501
D491,758 S *	6/2004	True	D6/501
D538,077 S *	3/2007	McDiarmid et al.	D6/501
D538,565 S *	3/2007	Mazzera	D6/501
D539,574 S *	4/2007	Vong	D6/501
D539,575 S *	4/2007	McDiarmid et al.	D6/501
D543,060 S *	5/2007	Mazzera	D6/501
D543,390 S *	5/2007	Grove et al.	D6/501
D550,001 S *	9/2007	Mazzera	D6/501

FIG. 2 is an enlarged perspective view of one such armrest for
a chair;

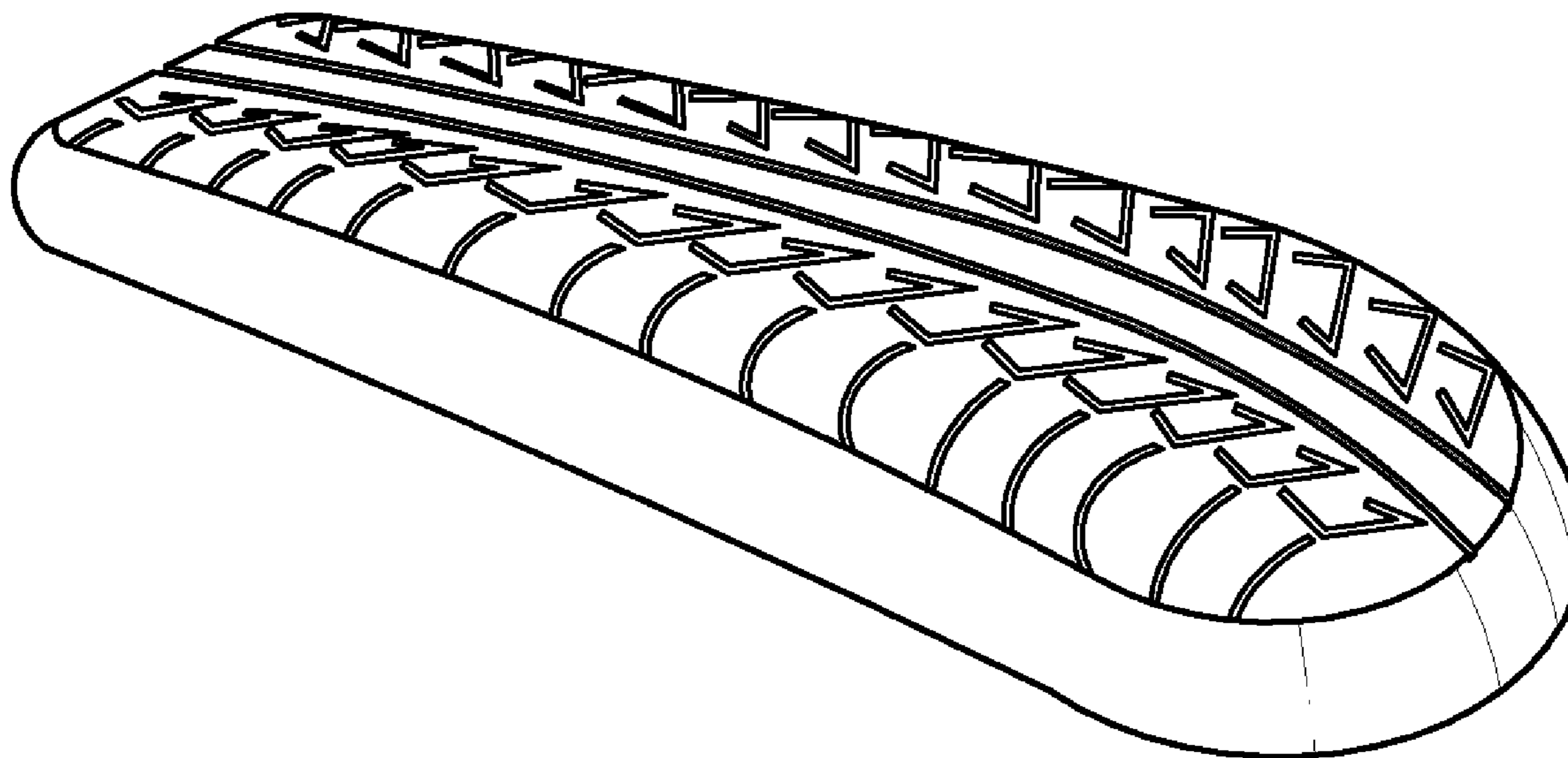
FIG. 3 is a top plan view thereof;

FIG. 4 is a left side elevational view, the right side elevational
view being a mirror image thereof; and,

FIG. 5 is a front elevational view thereof.

The characteristic feature of the design resides in the appli-
cation of a groove pattern resembling the tread on an auto-
mobile tire to the armrest for a chair.

1 Claim, 2 Drawing Sheets



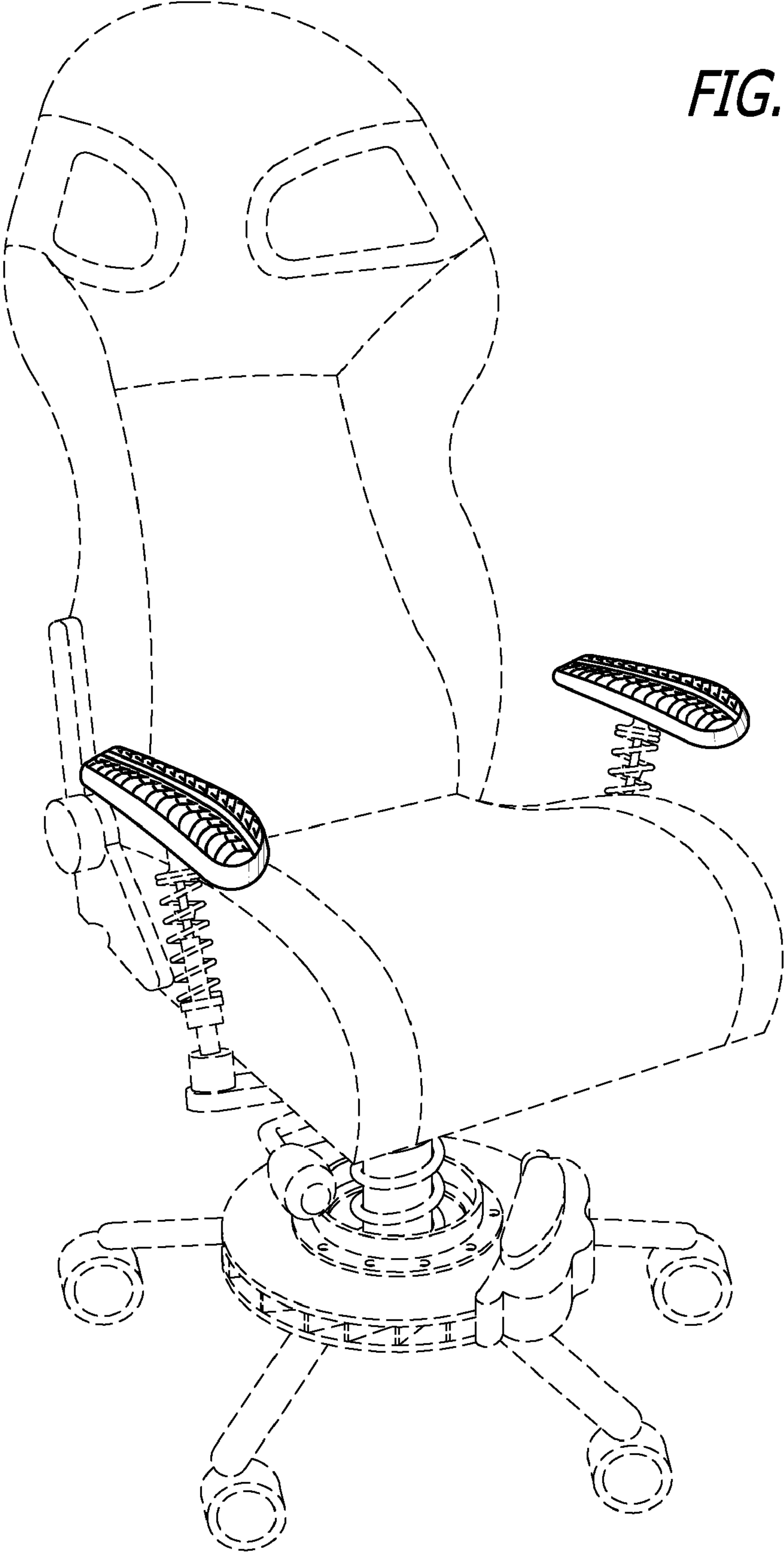


FIG. 1

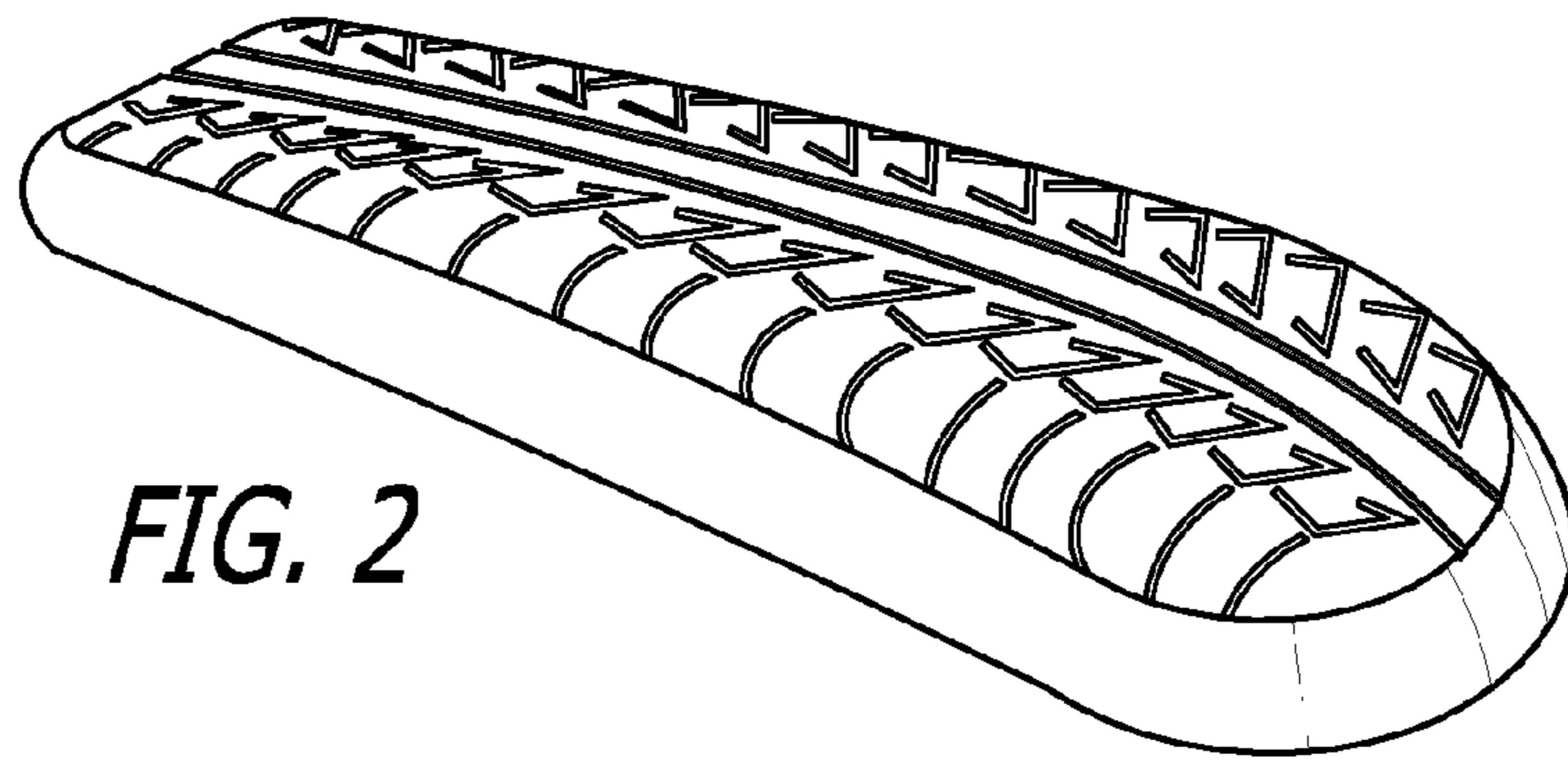


FIG. 2

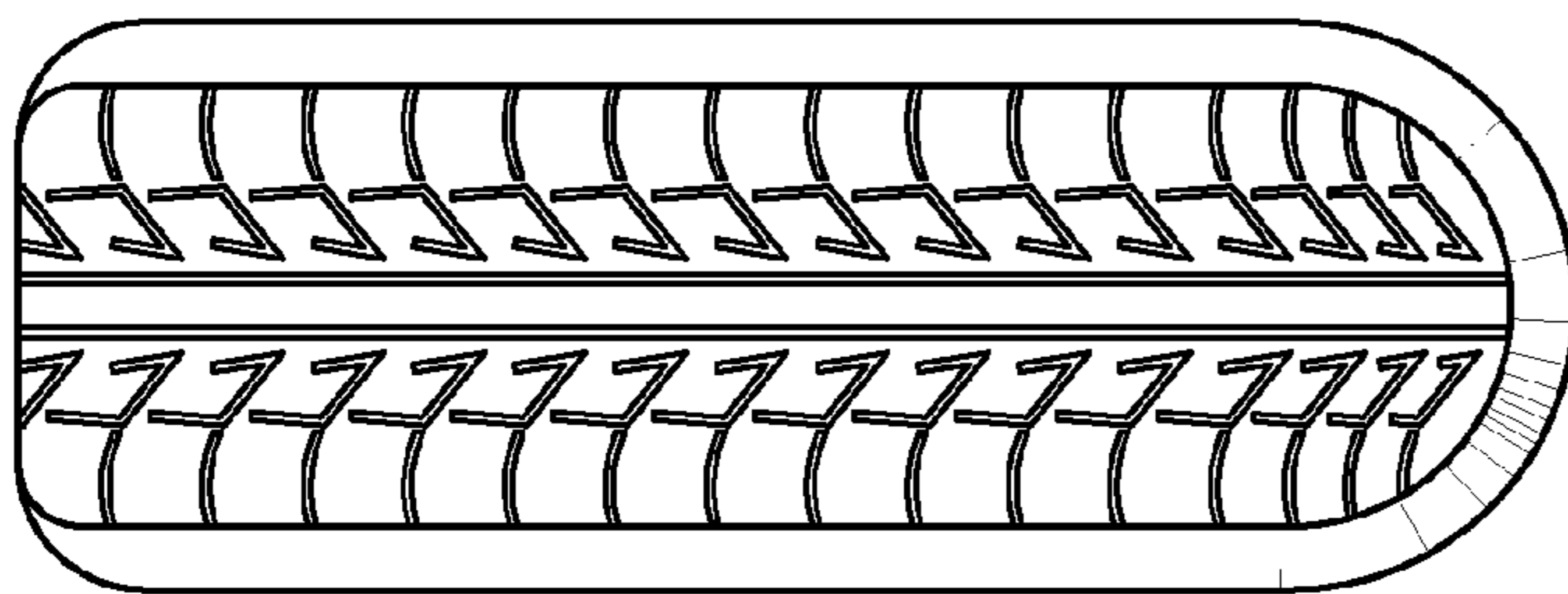


FIG. 3

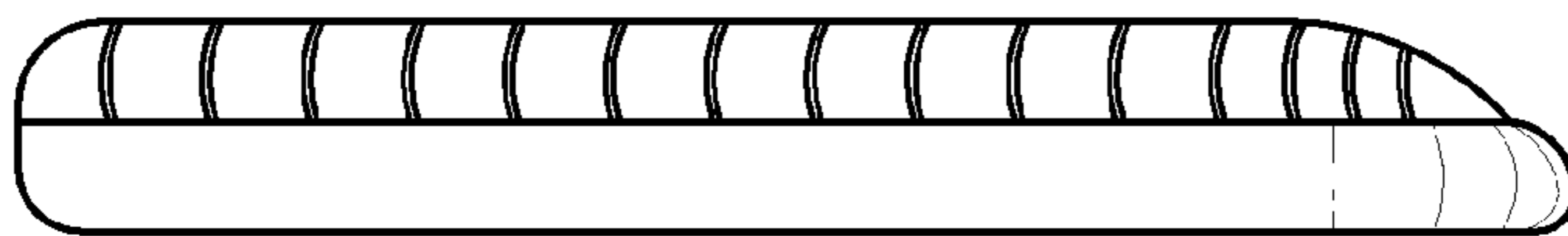


FIG. 4

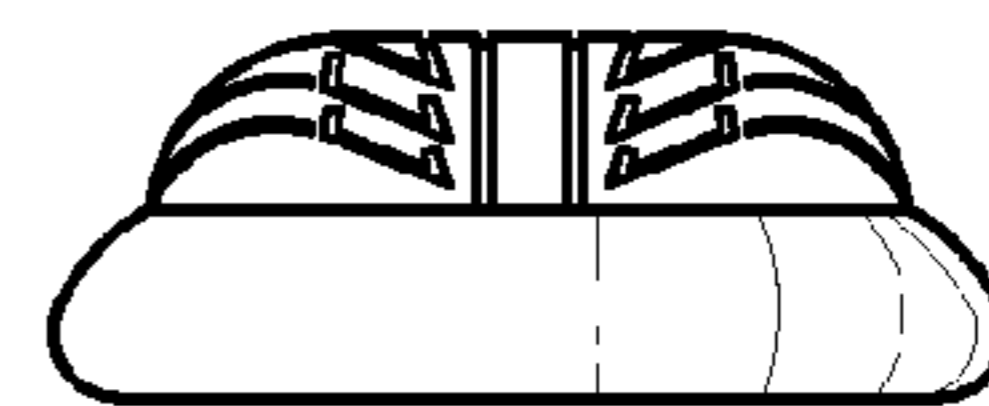


FIG. 5