



US00D586159S

(12) **United States Design Patent**
Chen

(10) **Patent No.:** **US D586,159 S**
(45) **Date of Patent:** **** Feb. 10, 2009**

(54) **CHAIR LEG**

D552,385 S * 10/2007 Yeh D6/498
D560,406 S * 1/2008 Privatt et al. D6/498
D562,037 S * 2/2008 Kaloustian D6/498

(75) Inventor: **Jun Chen**, Hsikang Hsiang Tainan Hsien
(TW)

* cited by examiner

(73) Assignee: **Jia Xie Enterprise Co., Ltd.**, Hsi Kang
Hsiang Tainan Hsien (TW)

Primary Examiner—Caron Veynar

Assistant Examiner—Abraham Bahta

(**) Term: **14 Years**

(74) *Attorney, Agent, or Firm*—Alan Kamrath; Kamrath &
Associates PA

(21) Appl. No.: **29/283,175**

(57) **CLAIM**

(22) Filed: **Aug. 8, 2007**

The ornamental design for a chair leg, as shown and
described.

(51) **LOC (9) Cl.** **06-06**

(52) **U.S. Cl.** **D6/498**

(58) **Field of Classification Search** D6/334–336,
D6/364–367, 495, 498–502; 108/155–156,
108/161; 248/188, 188.1, 188.7, 188.8, 188.9;
297/344.18, 358, 411.2, 411.28, 463.1
See application file for complete search history.

DESCRIPTION

FIG. 1 is a perspective view of a chair leg showing my new
design;

FIG. 2 is a front side elevational view thereof;

FIG. 3 is a rear side elevational view thereof;

FIG. 4 is a left side elevational view thereof;

FIG. 5 is a right side elevational view thereof;

FIG. 6 is a top plan view thereof;

FIG. 7 is a bottom plan view thereof;

FIG. 8 is a cross sectional view taken along line 8—8 of FIG.
6; and,

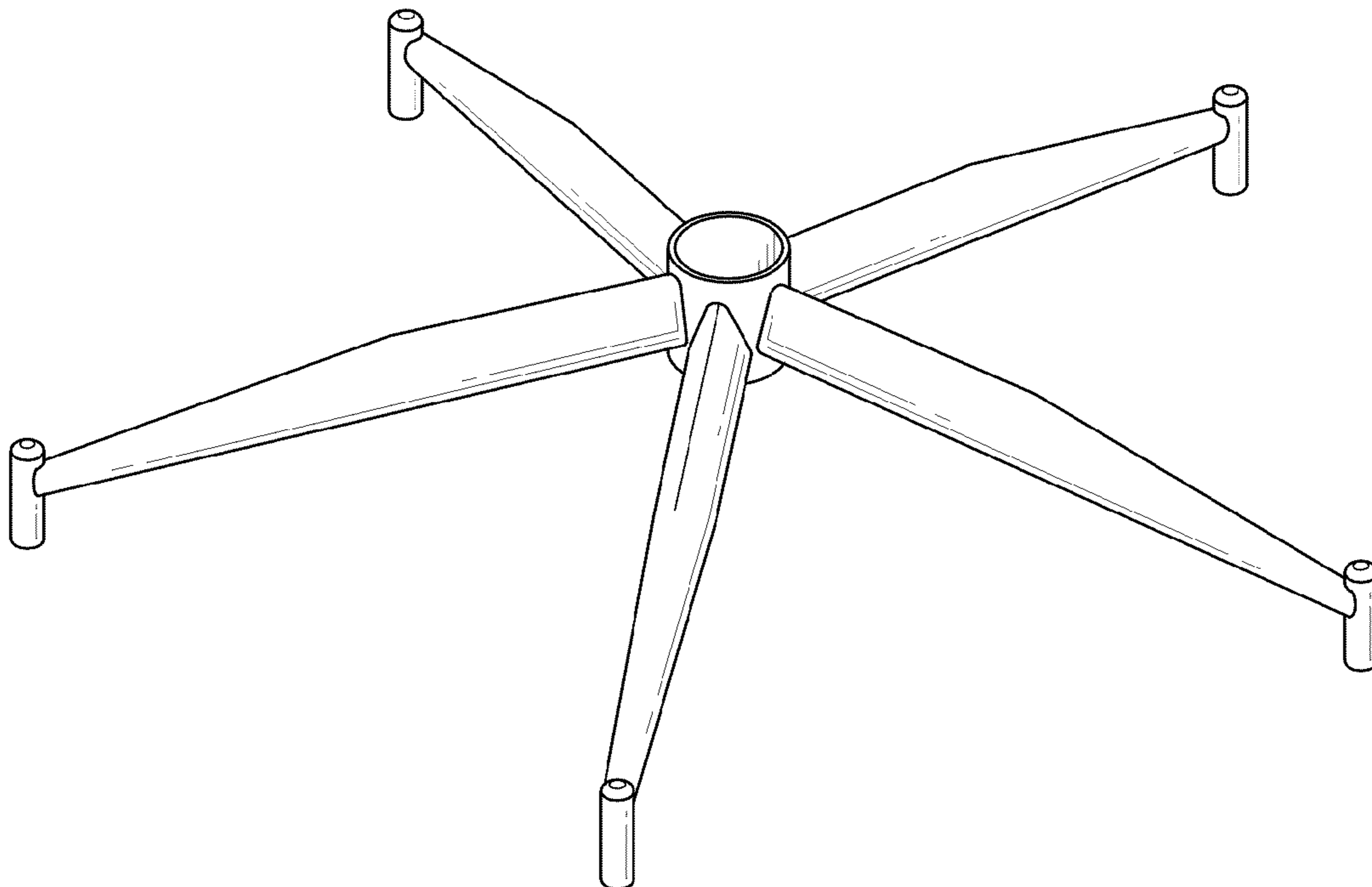
FIG. 9 is a cross sectional view taken along line 9—9 of FIG.
6.

(56) **References Cited**

U.S. PATENT DOCUMENTS

D471,039 S * 3/2003 Chen D6/498
D475,557 S * 6/2003 Su D6/498
D475,871 S * 6/2003 Tsai D6/498
D482,217 S * 11/2003 Lin D6/498
D494,387 S * 8/2004 McDiarmid D6/498
D494,787 S * 8/2004 Fu D6/498
D507,436 S * 7/2005 Chao D6/498
D524,582 S * 7/2006 Tsai D6/498
D549,014 S * 8/2007 Donati D6/498

1 Claim, 5 Drawing Sheets



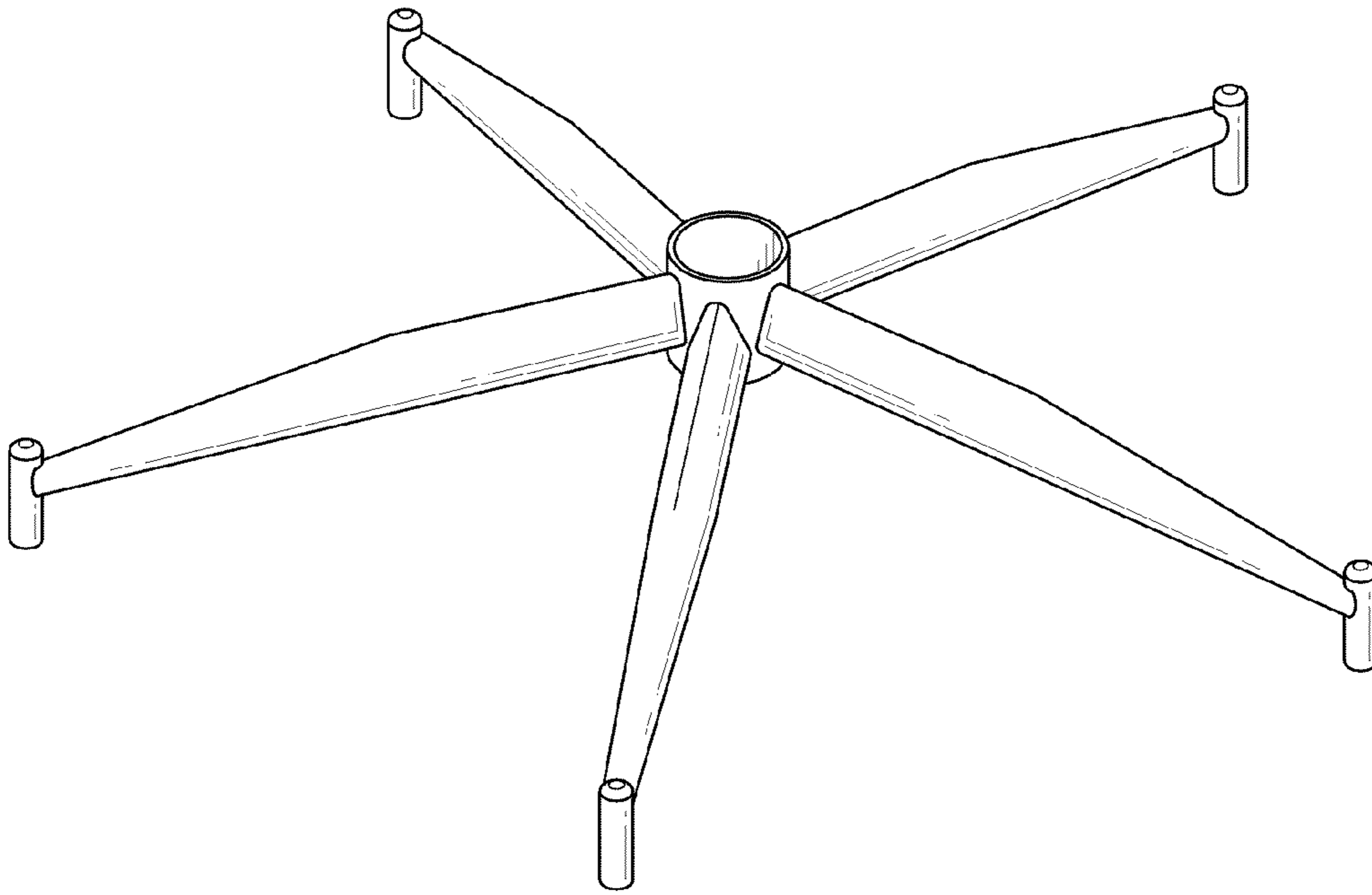


FIG. 1

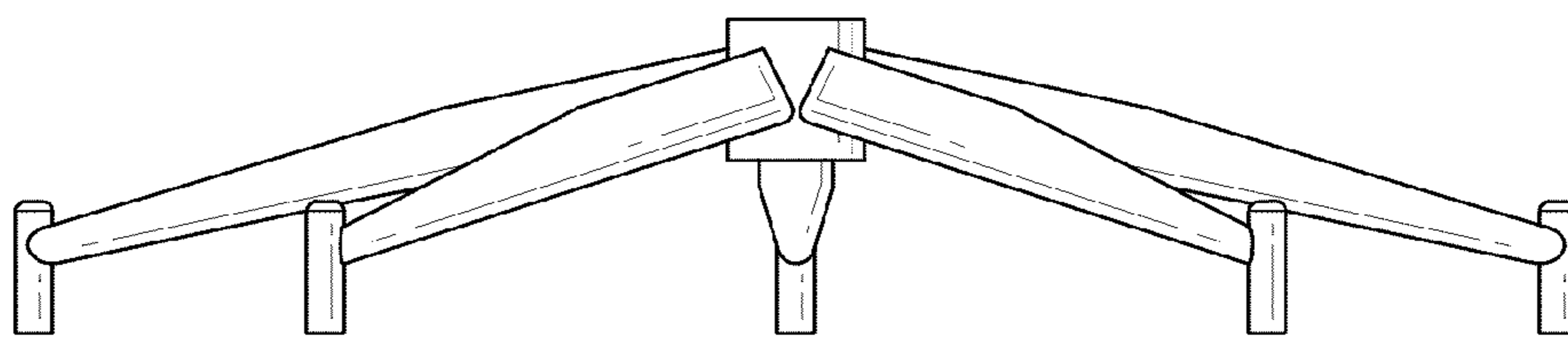


FIG. 2

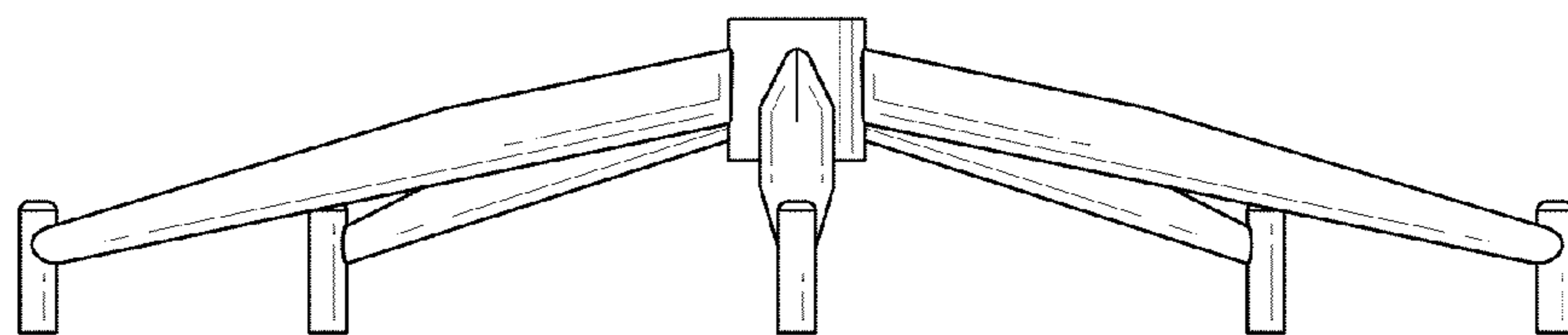


FIG. 3

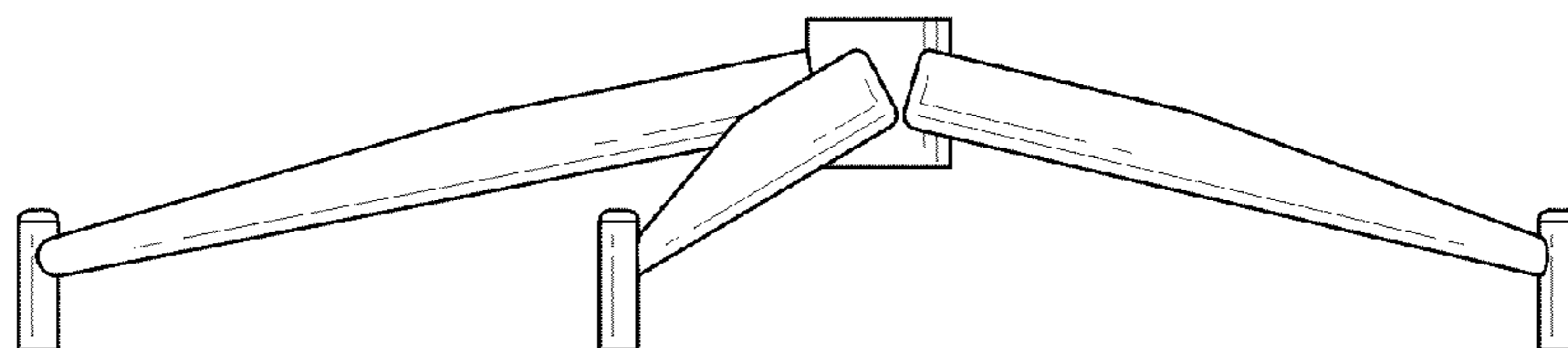


FIG. 4

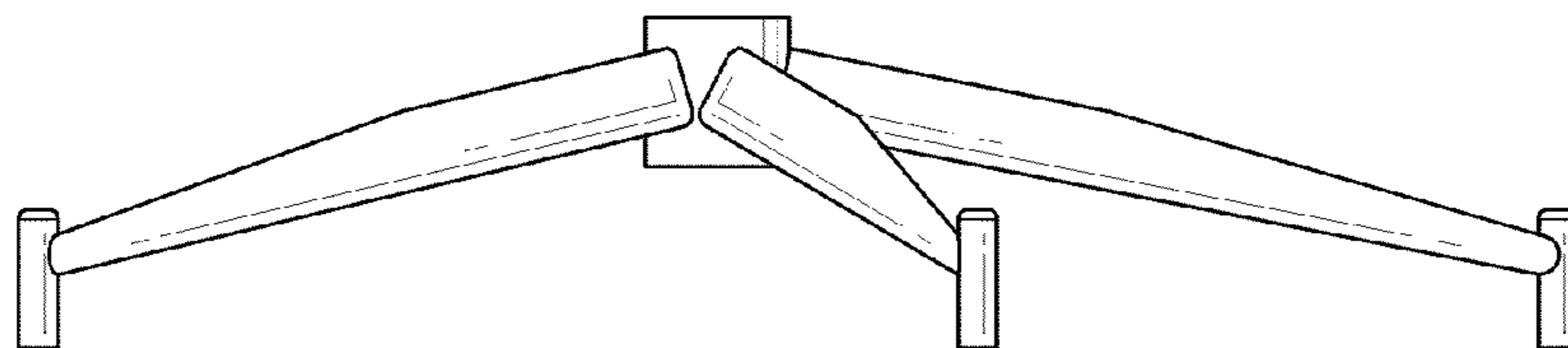


FIG. 5

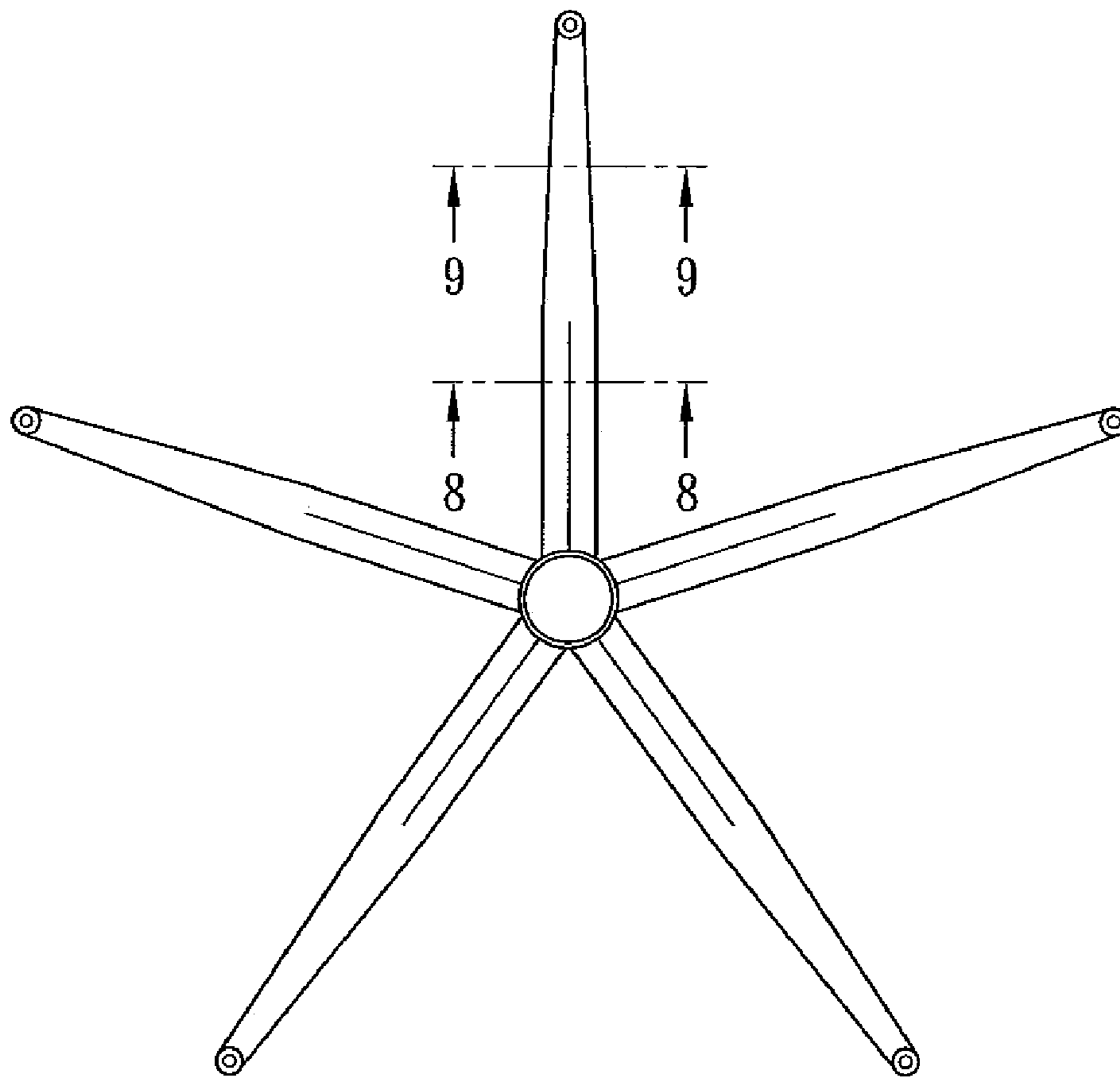


FIG. 6

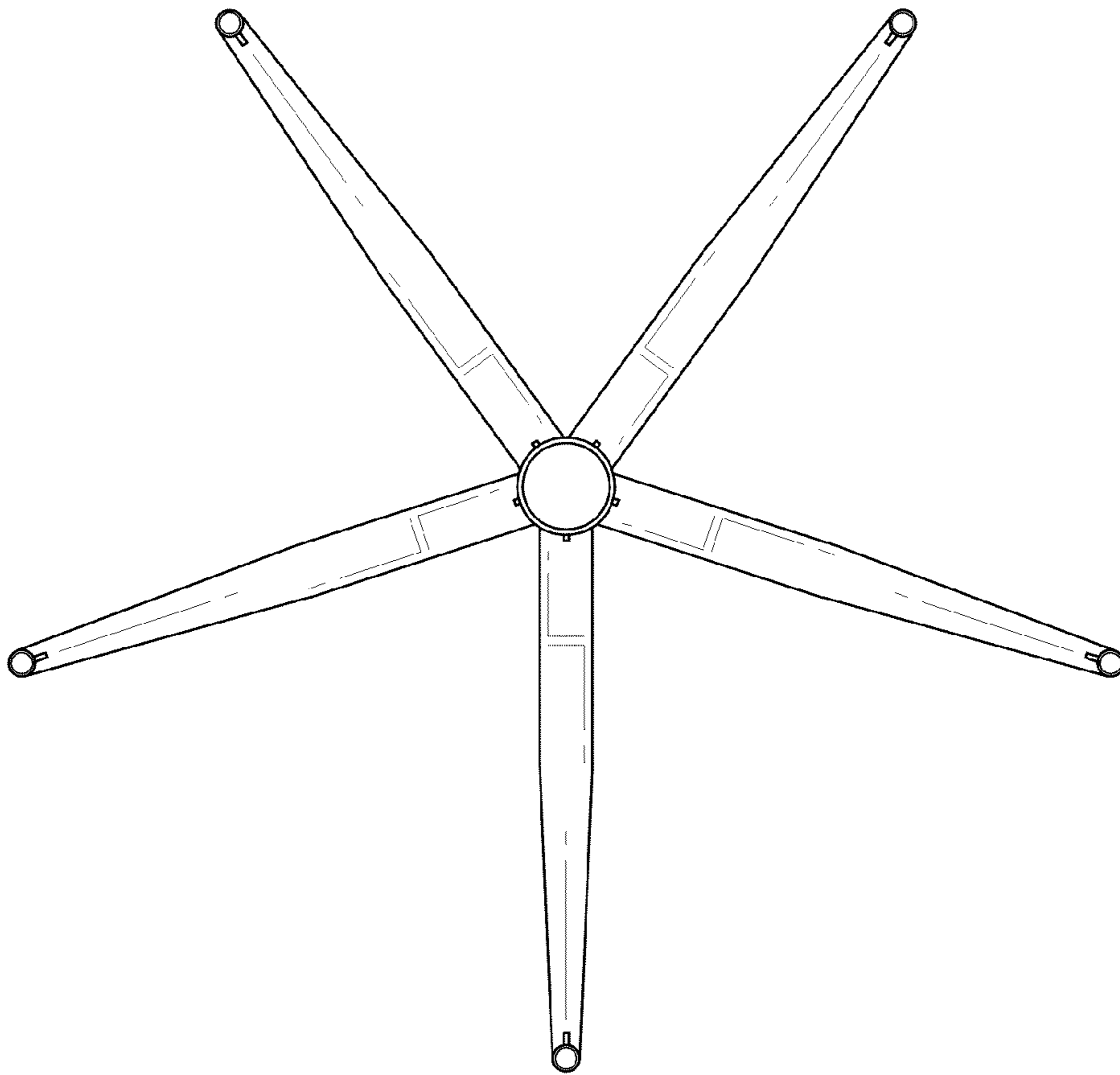


FIG. 7

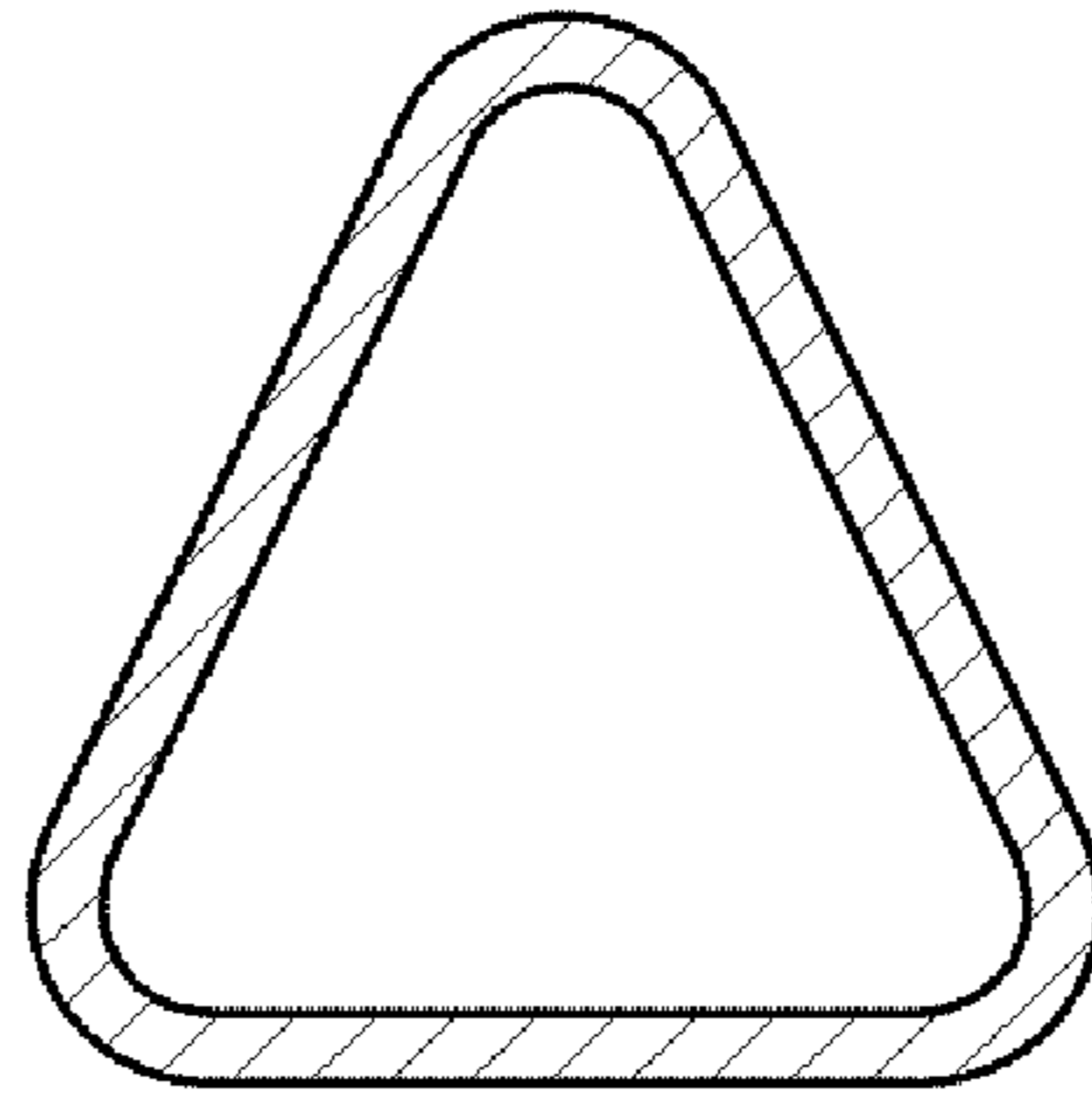


FIG. 8

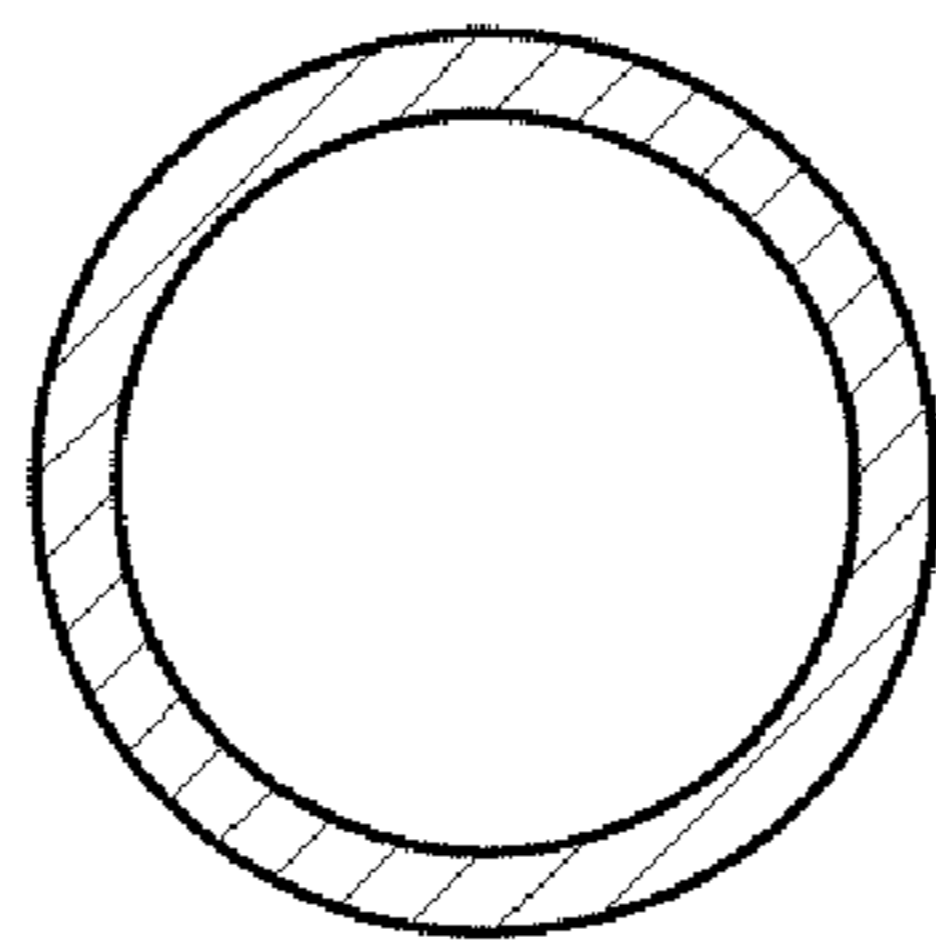


FIG. 9