



US00D586157S

(12) **United States Design Patent**
Abate et al.

(10) **Patent No.:** **US D586,157 S**
(45) **Date of Patent:** **** Feb. 10, 2009**

(54) **FRAME FOR A DRYING SHELF**

(75) Inventors: **Stefanie Abate**, North Kingstown, RI (US); **Vincent J DeSanto**, Lincoln, RI (US); **Leo E LaBarre**, Woonsocket, RI (US); **Laurel Anne Stacy**, Warwick, RI (US); **Mary Woodhouse**, Cranston, RI (US)

(73) Assignee: **Kenney Manufacturing Company**, Warwick, RI (US)

(**) Term: **14 Years**

(21) Appl. No.: **29/277,607**

(22) Filed: **Mar. 2, 2007**

(51) **LOC (9) Cl.** **06-06**

(52) **U.S. Cl.** **D6/495**

(58) **Field of Classification Search** D6/397,
D6/409-415, 456, 462-468, 512-514, 546,
D6/548, 549, 566, 567; D32/58-60; 211/60.1,
211/85.3, 94.03, 104, 123, 133.2, 181.1,
211/182, 204, 206, 85.24, 88.04, 100; 108/28,
108/29, 181; 206/213, 278, 300; 248/127,
248/163.1, 175, 95, 99

See application file for complete search history.

(56) **References Cited**

U.S. PATENT DOCUMENTS

D346,081 S * 4/1994 Turner D6/465
D381,845 S * 8/1997 Thomas D6/495
D401,705 S * 11/1998 Jones D32/58
D445,614 S * 7/2001 Sommerfeld et al. D6/503
D473,385 S * 4/2003 Joergensen D6/332

D481,567 S * 11/2003 Ashby et al. D6/499
D495,524 S * 9/2004 Harwanko D6/410
D529,318 S * 10/2006 Berg et al. D6/492
D537,266 S * 2/2007 Ward D6/411
D567,001 S * 4/2008 Rosen D6/566

* cited by examiner

Primary Examiner—Caron Veynar

Assistant Examiner—Abraham Bahta

(74) *Attorney, Agent, or Firm*—Barlow, Josephs & Holmes, Ltd.

(57) **CLAIM**

The ornamental design for a frame for a drying shelf, as shown and described.

DESCRIPTION

FIG. 1 is a perspective view of a frame for a drying shelf with the hooks shown in broken lines showing our new design;

FIG. 2 is a top view thereof;

FIG. 3 is a bottom view thereof with the magnets on the brackets and the recesses in the elbow joints shown in broken lines;

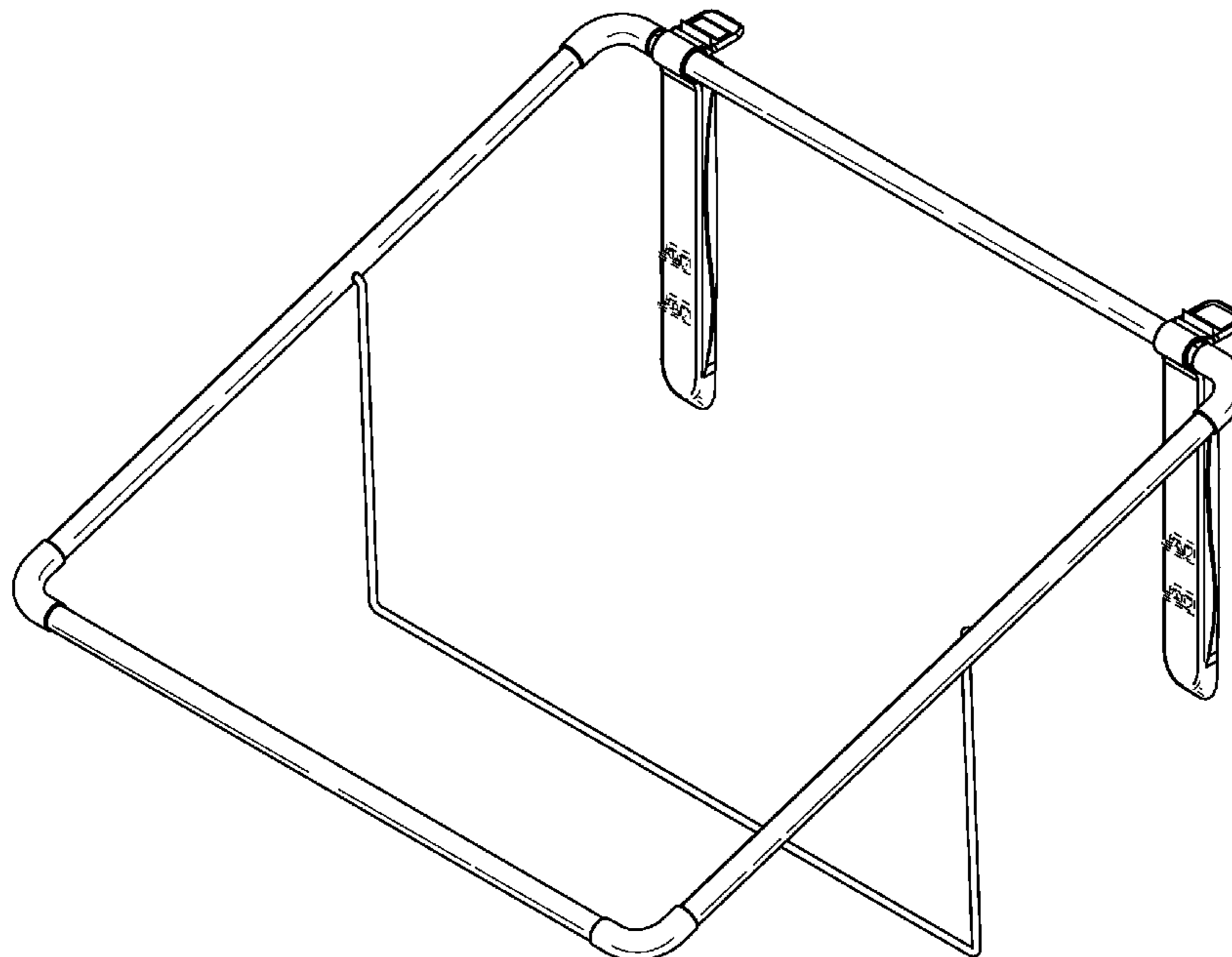
FIG. 4 is a left side elevation view with the hooks shown in broken lines, the right side-being a mirror image thereof;

FIG. 5 is a front elevation view thereof with the hooks shown in the broken lines; and,

FIG. 6 is a rear elevation view thereof with the magnets on the brackets and the recesses in the elbow joints shown in broken lines.

The broken lines shown in the drawings are for illustrative purposes only and form no part of the claimed design.

1 Claim, 6 Drawing Sheets



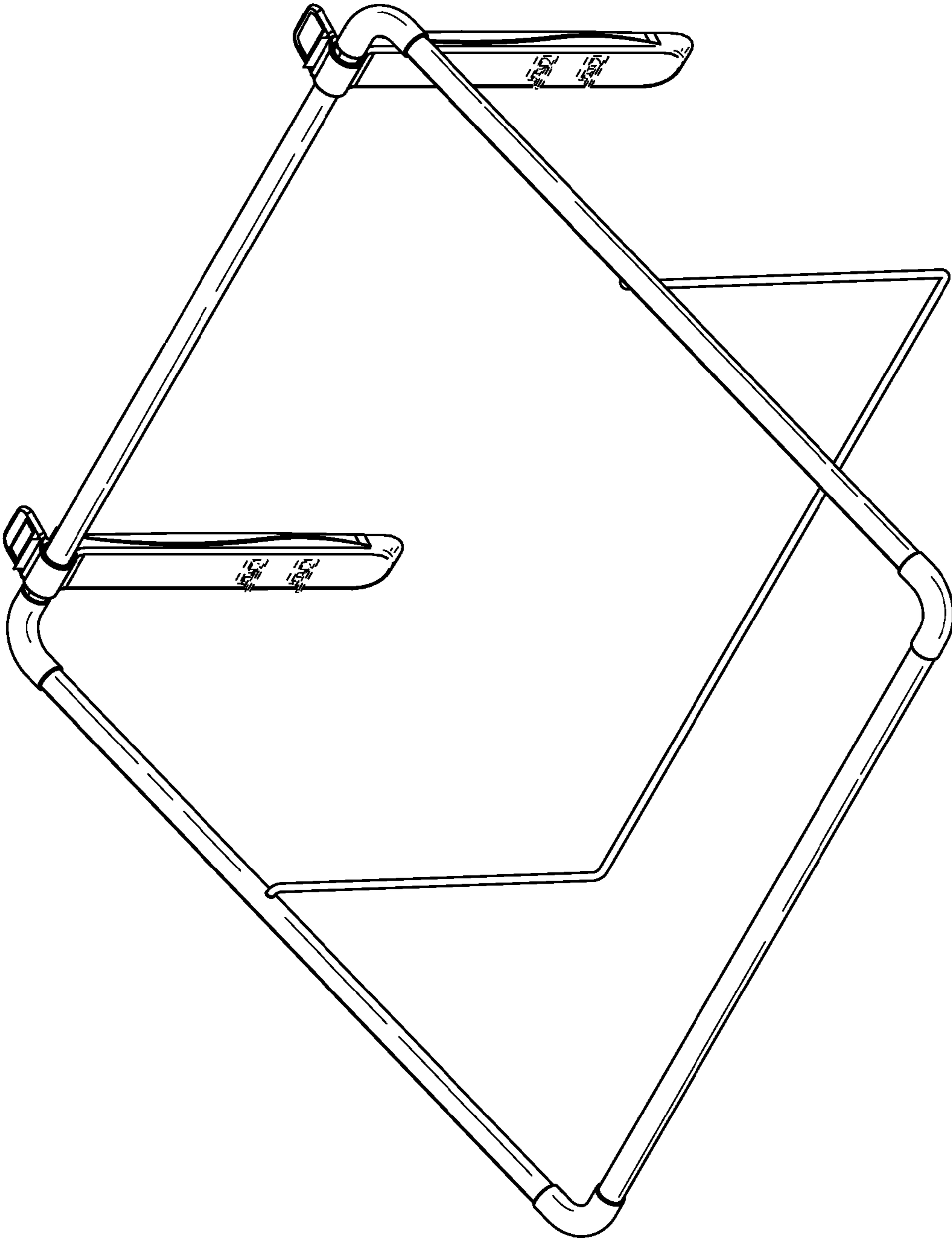


FIG. 1

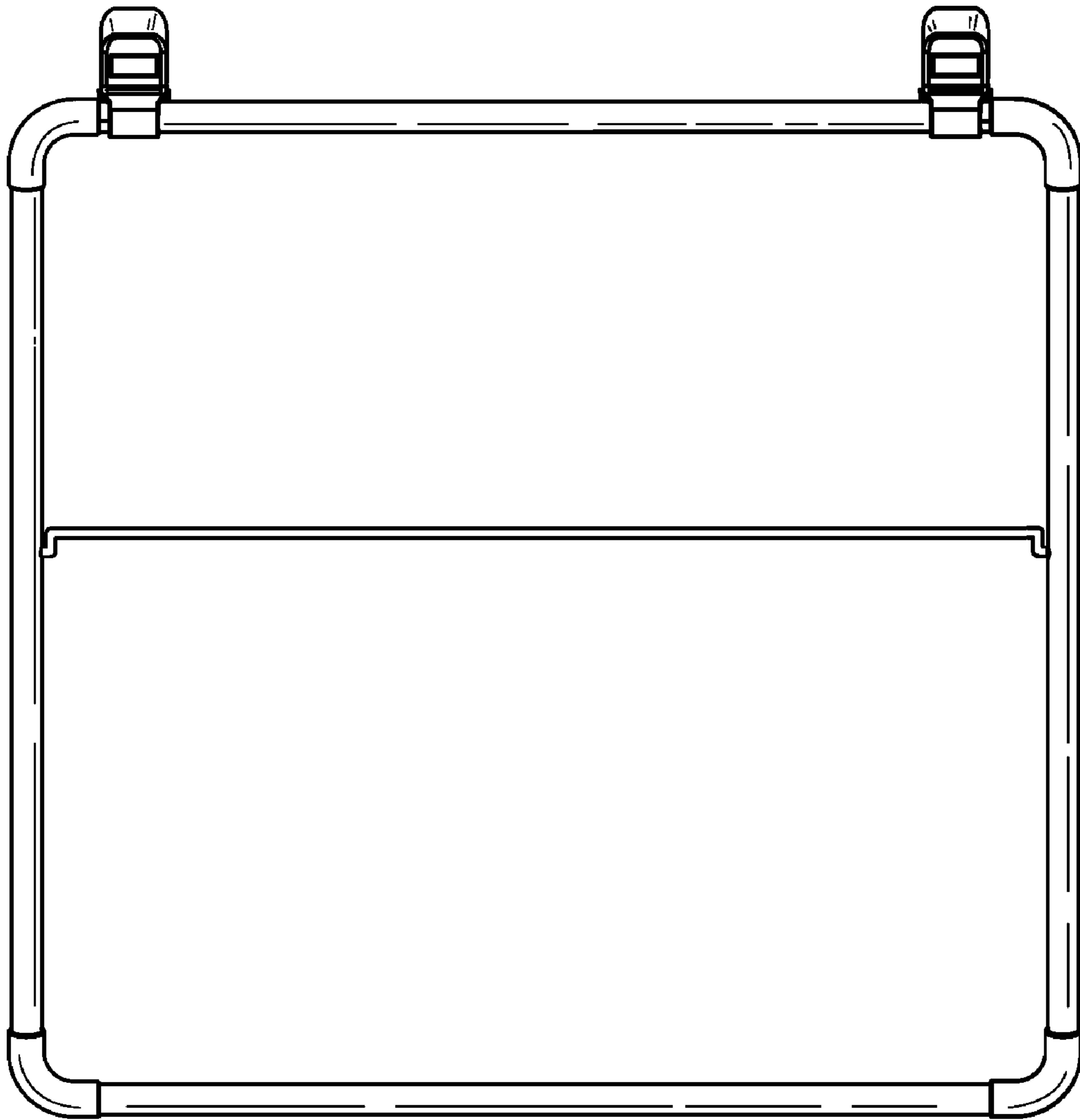


FIG. 2

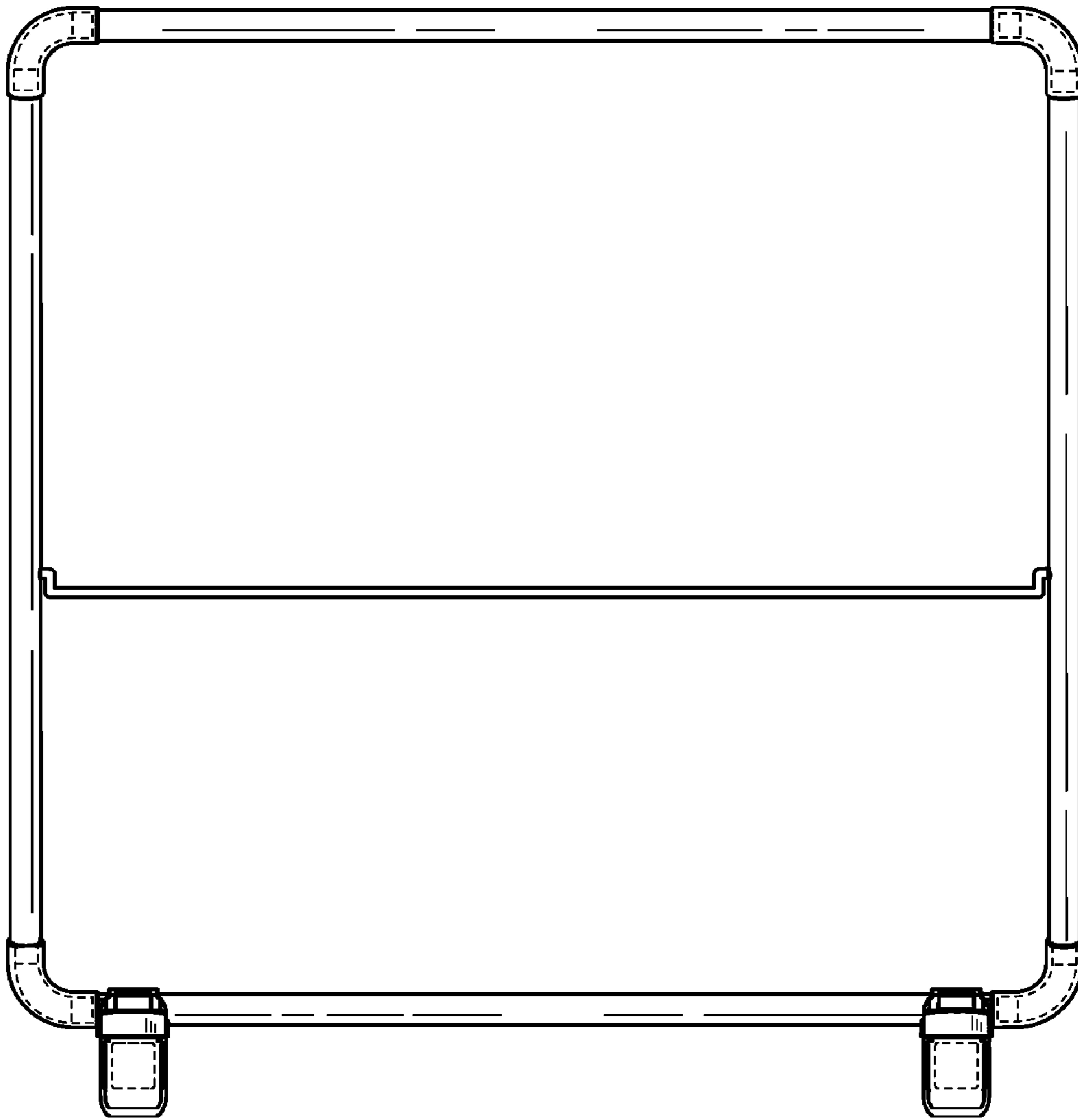


FIG. 3

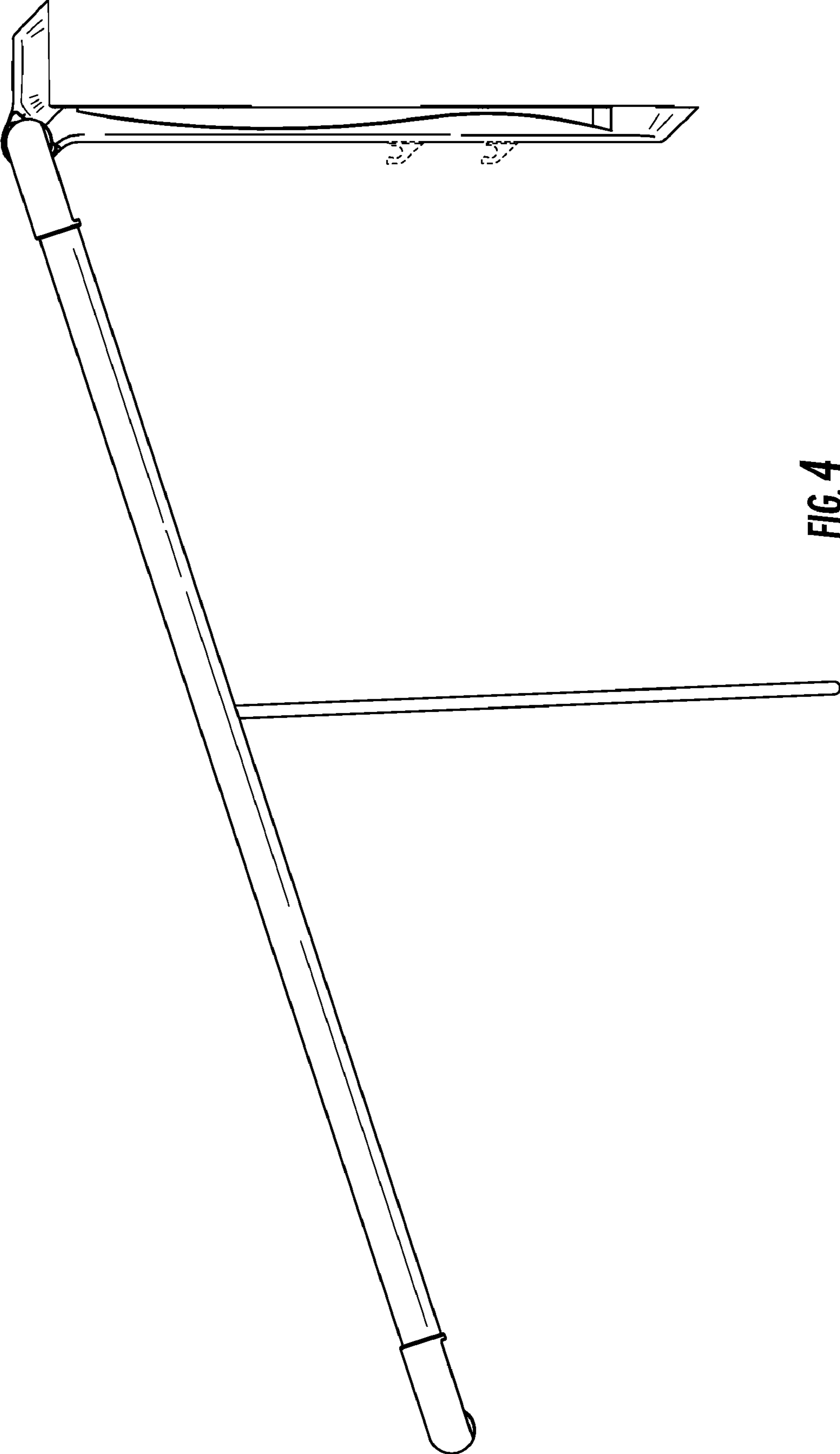


FIG. 4

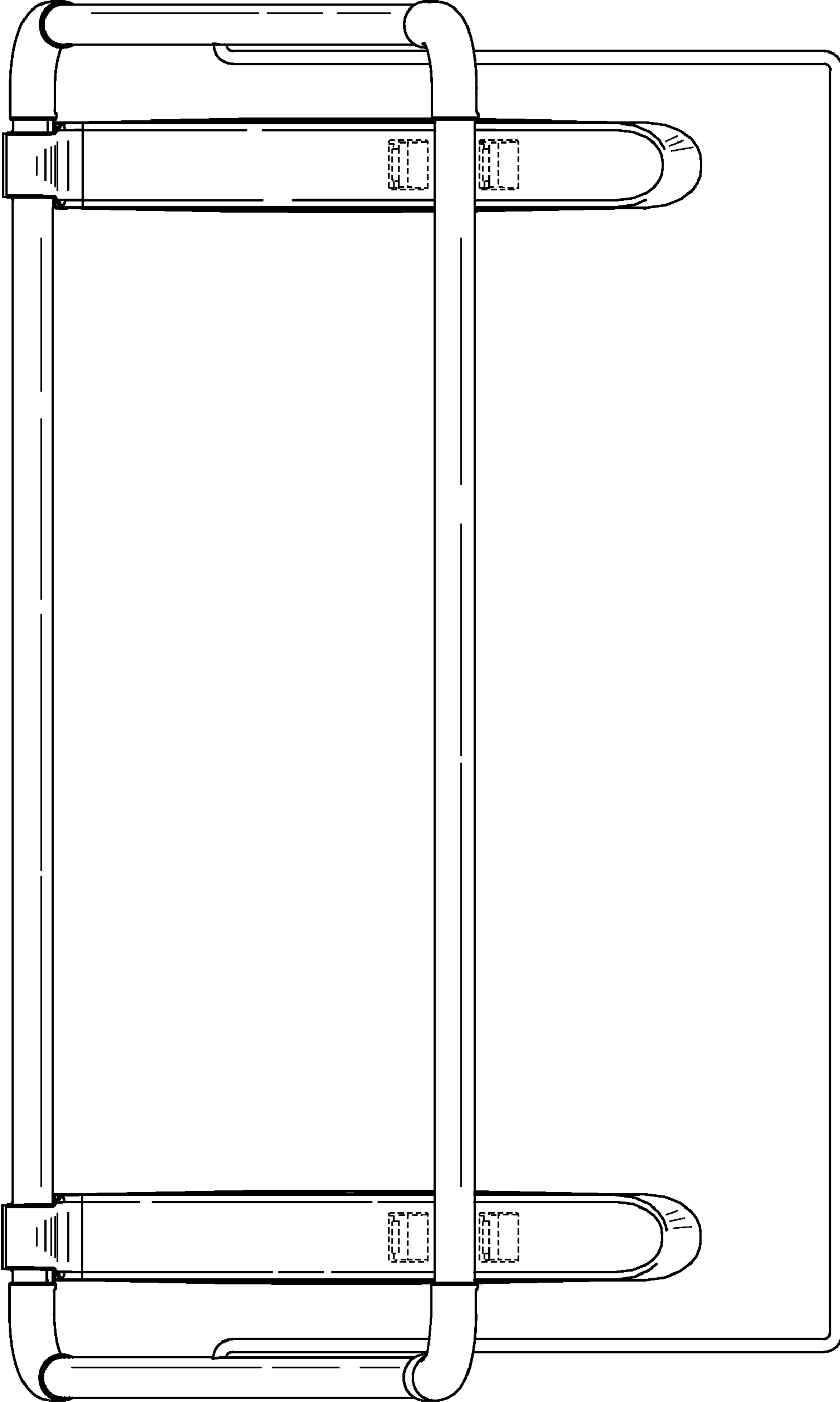


FIG. 5

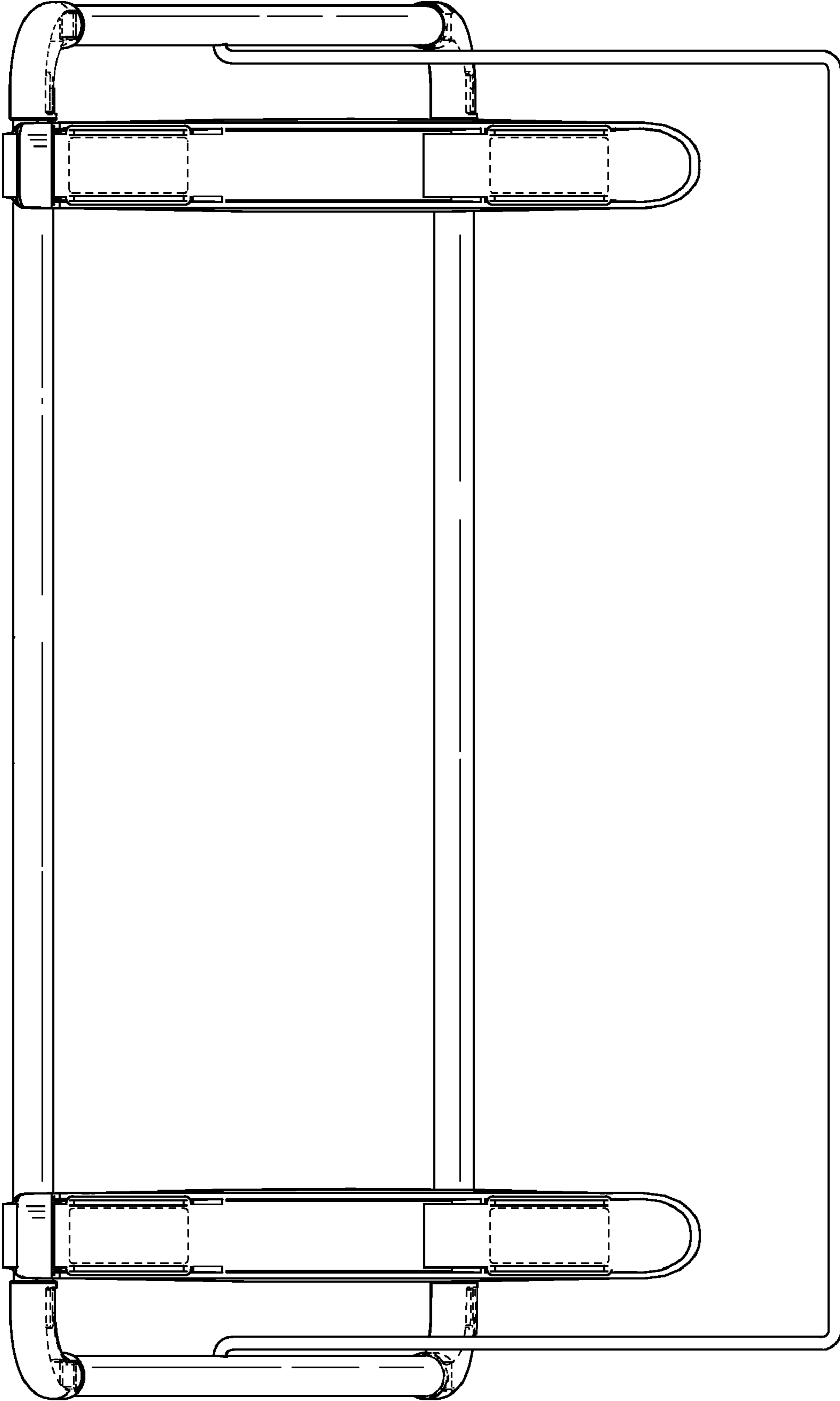


FIG. 6