



US00D586155S

(12) **United States Design Patent**
Lenterman

(10) **Patent No.:** **US D586,155 S**
(45) **Date of Patent:** **** Feb. 10, 2009**

(54) **DESK**

(75) Inventor: **Henri B. Lenterman**, Chino Hills, CA
(US)

(73) Assignee: **Intro-Tech Automotive, Inc.**, Chino, CA
(US)

(**) Term: **14 Years**

(21) Appl. No.: **29/305,752**

(22) Filed: **Mar. 27, 2008**

(51) **LOC (9) Cl.** **06-03**

(52) **U.S. Cl.** **D6/480; D6/426; D6/451**

(58) **Field of Classification Search** D6/480-489,
D6/495-499, 429-431, 511, 422-428; 108/150,
108/153.1, 156, 157.1, 161, 50.01, 50.02;
248/188, 188.1, 188.8; 312/194-196, 258
See application file for complete search history.

(56) **References Cited**

U.S. PATENT DOCUMENTS

- D424,827 S * 5/2000 Ko D6/429
- D424,828 S * 5/2000 Ko D6/429
- D435,368 S * 12/2000 Tzeng D6/480

- D436,268 S * 1/2001 Ko D6/484
- D472,404 S * 4/2003 Mavis D6/484
- D486,669 S * 2/2004 Wang D6/426
- 2003/0079661 A1 * 5/2003 Luu 108/116
- 2005/0284341 A1 * 12/2005 Klassy et al. 108/50.02

* cited by examiner

Primary Examiner—Janice E Seeger

(74) *Attorney, Agent, or Firm*—Intellectual Property Law
Offices of Joel Voelzke, APC

(57) **CLAIM**

The ornamental design for a desk, as shown and described.

DESCRIPTION

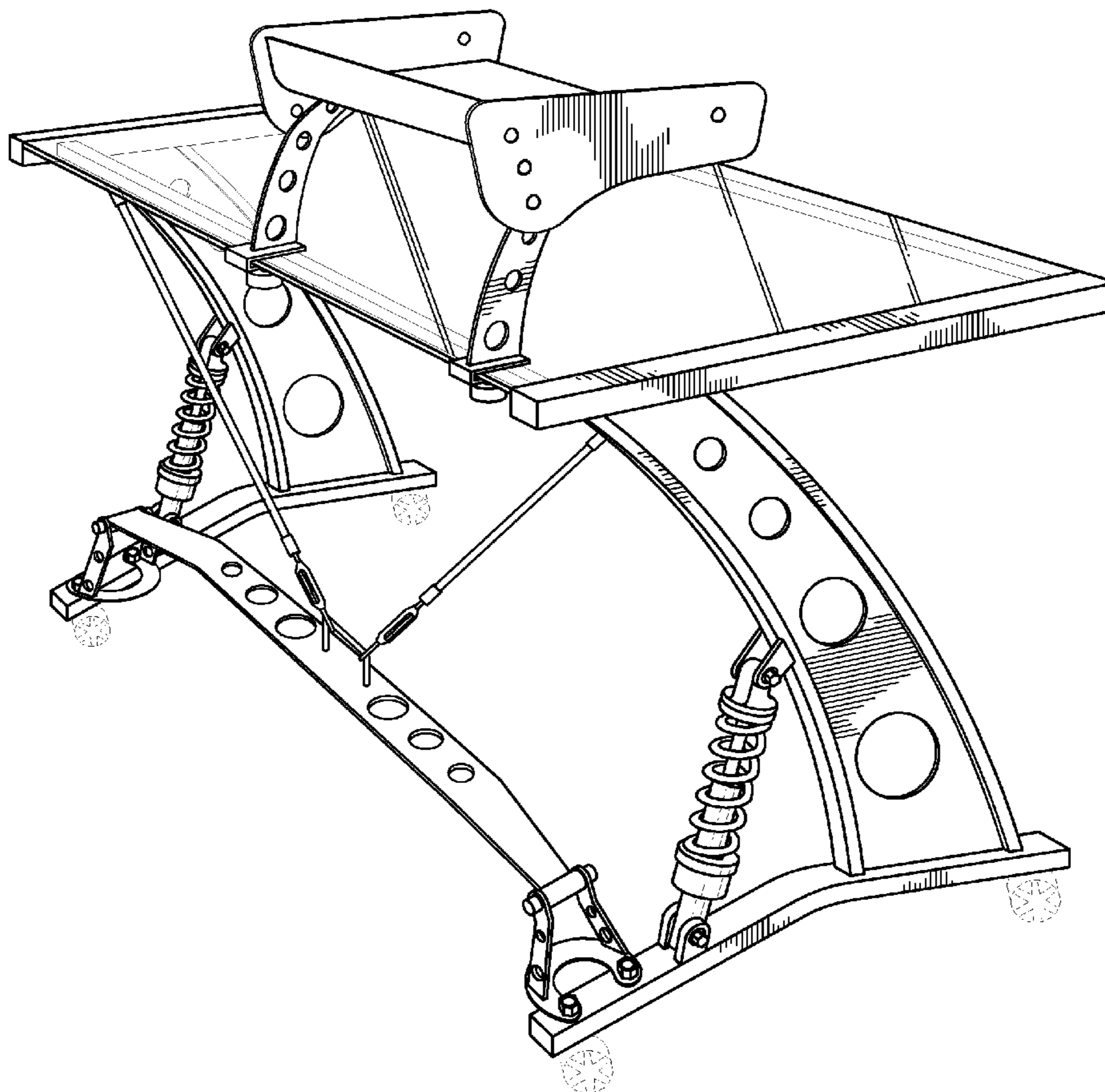
FIG. 1 is a perspective view showing the rear, left side, and top of a desk showing my new design;

FIG. 2 is a left side elevational view thereof; and,

FIG. 3 is a front elevational view thereof.

The right side elevational view is a mirror image of the left side. The bottom view is not shown because it forms no part of the claimed design. The casters are shown in broken lines for illustrative purposes only and form no part of the claimed design. The writing surface is formed of transparent material.

1 Claim, 3 Drawing Sheets



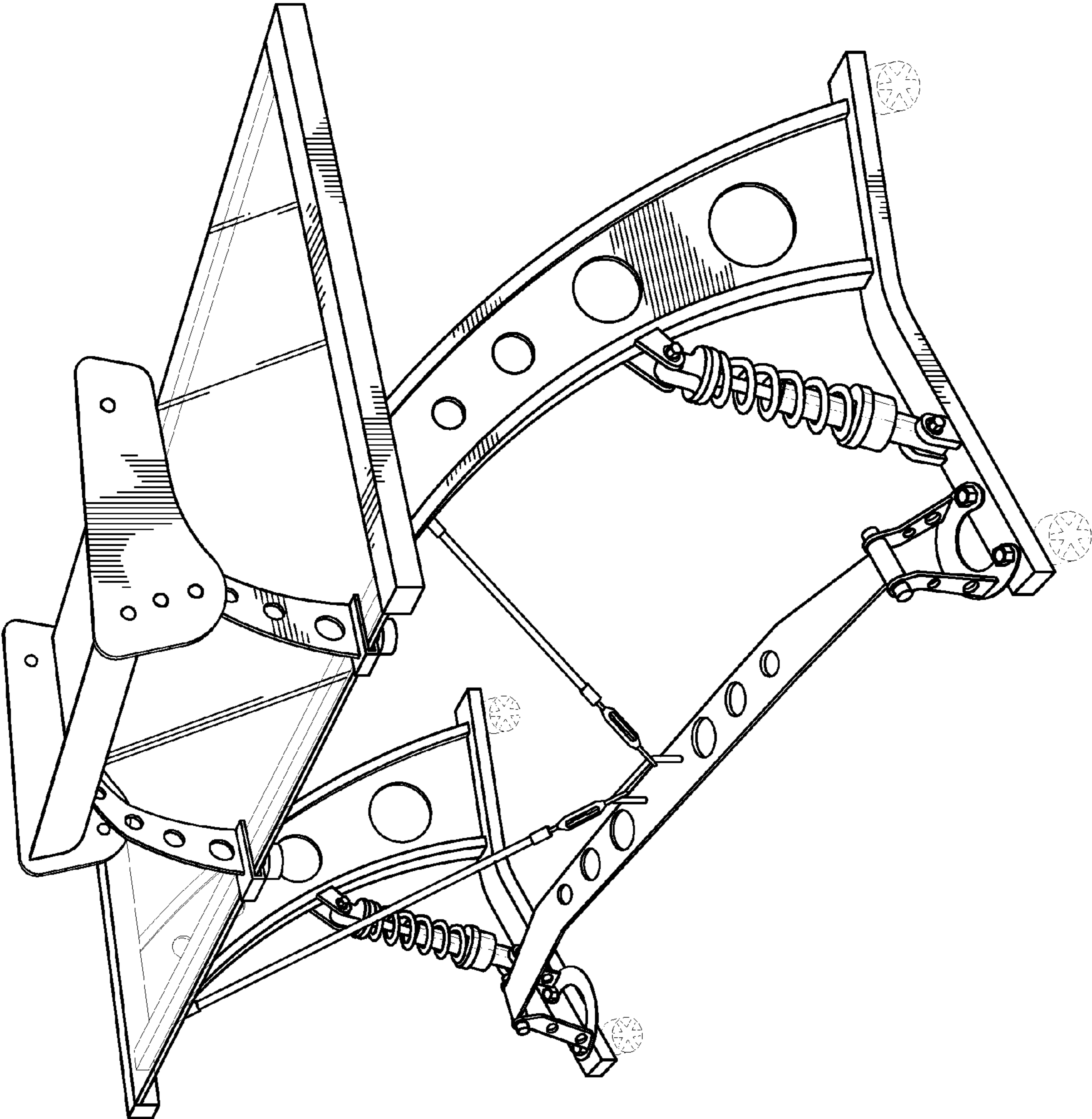


FIG. 1

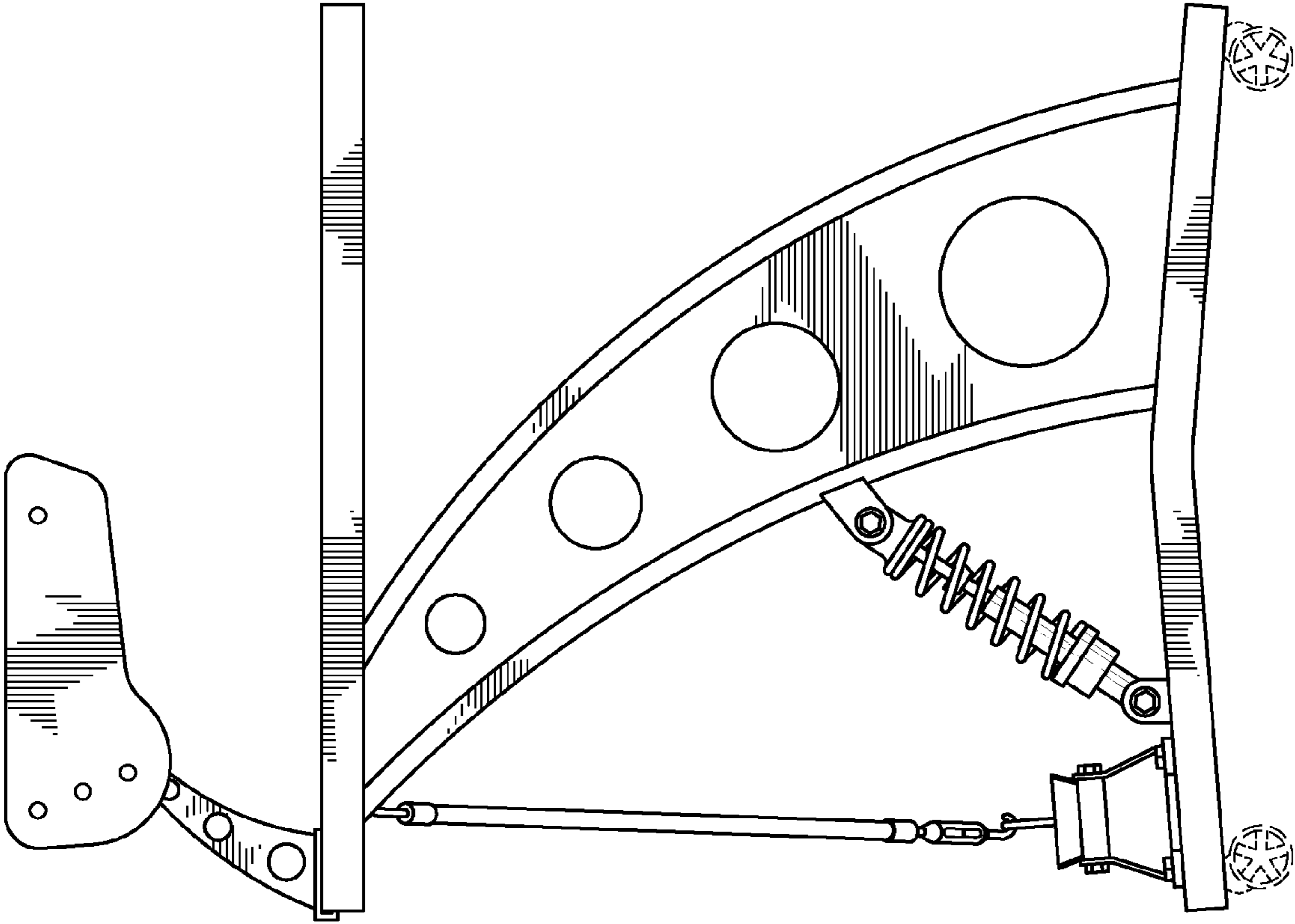


FIG. 2

FIG. 3

