



US00D586152S

(12) **United States Design Patent**
Maki

(10) **Patent No.:** **US D586,152 S**
(45) **Date of Patent:** **** Feb. 10, 2009**

(54) **WINE PALLET TRAY**
(75) Inventor: **James Maki**, Richmond, CA (US)
(73) Assignee: **Rapid Displays, Inc.**, Chicago, IL (US)
(**) Term: **14 Years**

4,911,300 A 3/1990 Colonna
4,941,624 A 7/1990 Schuster
4,962,859 A * 10/1990 Kump 211/50
D329,154 S * 9/1992 Waterston D6/476
D333,227 S * 2/1993 Horvath D6/468
D353,285 S * 12/1994 Spirk et al. D6/467F

(Continued)

(21) Appl. No.: **29/304,067**

FOREIGN PATENT DOCUMENTS

(22) Filed: **Feb. 25, 2008**

DE 3616032 11/1986
DE 29621264 2/1997
JP 2000281053 10/2000
JP 2004217248 A 8/2004
WO WO 03016174 2/2003

(51) **LOC (9) Cl.** **06-04**

(52) **U.S. Cl.** **D6/469**

(58) **Field of Classification Search** D6/476,
D6/469, 468, 467, 466, 454, 449, 409, 310,
D6/311, 477, 478, 479; D29/130; D20/10,
D20/18, 19, 21; D19/90, 88; D11/131; D14/239,
D14/254; 211/72, 13.1, 85.1, 85.2, 85.3,
211/85.4, 30; 280/47.35; 312/114; 206/427,
206/597, 433

Primary Examiner—Cathron C Brooks
Assistant Examiner—Austin Murphy
(74) *Attorney, Agent, or Firm*—DLA Piper LLP (US); R. Blake Johnston

See application file for complete search history.

(57) **CLAIM**

The ornamental design for an wine pallet tray, as shown and described.

(56) **References Cited**

U.S. PATENT DOCUMENTS

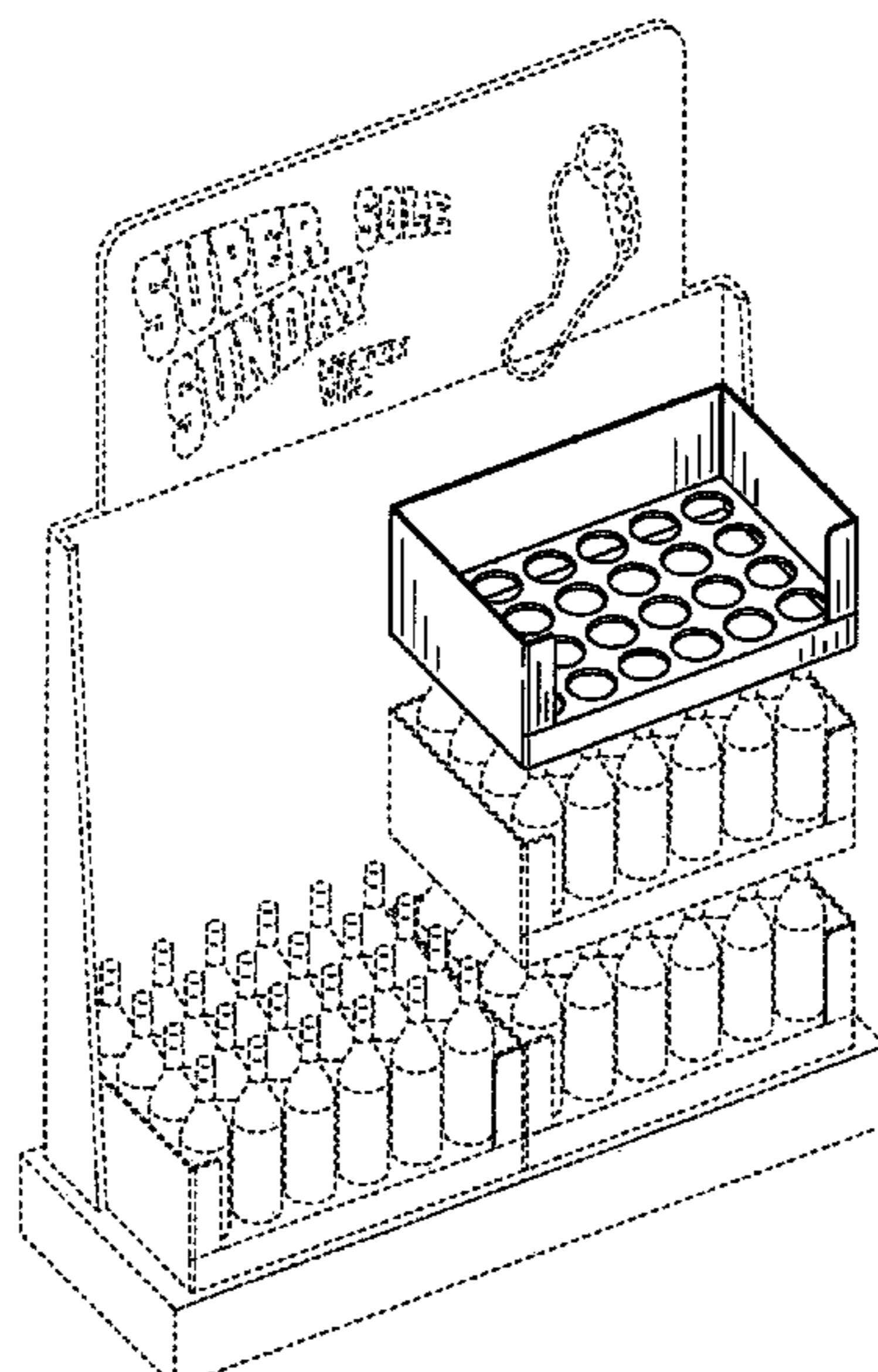
1,088,642 A 2/1914 Wilcox
2,112,583 A * 3/1938 Tucker et al. 40/734
2,339,176 A 1/1944 Lee
D181,693 S * 12/1957 Tichnor D6/454
2,955,707 A 10/1960 Foote
3,256,983 A 6/1966 Lech
3,294,270 A 12/1966 Geisler
3,297,191 A 1/1967 Eastman
3,338,406 A 8/1967 Anderson
3,774,774 A * 11/1973 Menkel 211/72
3,804,234 A 4/1974 Gordon
3,899,076 A 8/1975 Florian
D239,991 S * 5/1976 Hanson D6/466
4,094,526 A * 6/1978 Clarke et al. 280/47.35
D277,819 S * 3/1985 Crosslen D6/449
4,567,981 A 2/1986 Headon

DESCRIPTION

FIG. 1 is a first front perspective view of the wine pallet tray;
FIG. 2 is a second front perspective view of the wine pallet tray;
FIG. 3 is a side elevational view of the wine pallet tray;
FIG. 4 is a front elevational view of the wine pallet tray;
FIG. 5 is a rear elevational view of the wine pallet tray; and,
FIG. 6 is a top plan view of the wine pallet tray.

The broken lines in the drawings are included for the purpose of illustrating environmental structure and form no part of the claimed design.

1 Claim, 3 Drawing Sheets



US D586,152 S

Page 2

U.S. PATENT DOCUMENTS

5,878,876	A	3/1999	Galbierz et al.	
6,003,666	A	12/1999	Dougherty	
D420,533	S *	2/2000	Pugatch	D6/469
6,059,099	A	5/2000	Galbierz	
D426,403	S *	6/2000	Chumley et al.	D6/476
D439,436	S *	3/2001	Stern	D6/409
6,213,297	B1	4/2001	Gale	
D445,263	S *	7/2001	Malamud	D6/310
6,290,057	B1	9/2001	Hurley	
6,325,210	B1	12/2001	Henry, Jr.	
D455,914	S *	4/2002	Campello et al.	D6/449
6,527,116	B1	3/2003	Gale	
6,702,115	B1	3/2004	Roper	
D493,304	S *	7/2004	Shaw	D6/476
D525,307	S *	7/2006	Arnold	D19/90
D554,902	S *	11/2007	Austin, Jr.	D6/469
D562,588	S *	2/2008	Bays et al.	D6/449
D567,539	S *	4/2008	Teachey et al.	D6/449

* cited by examiner

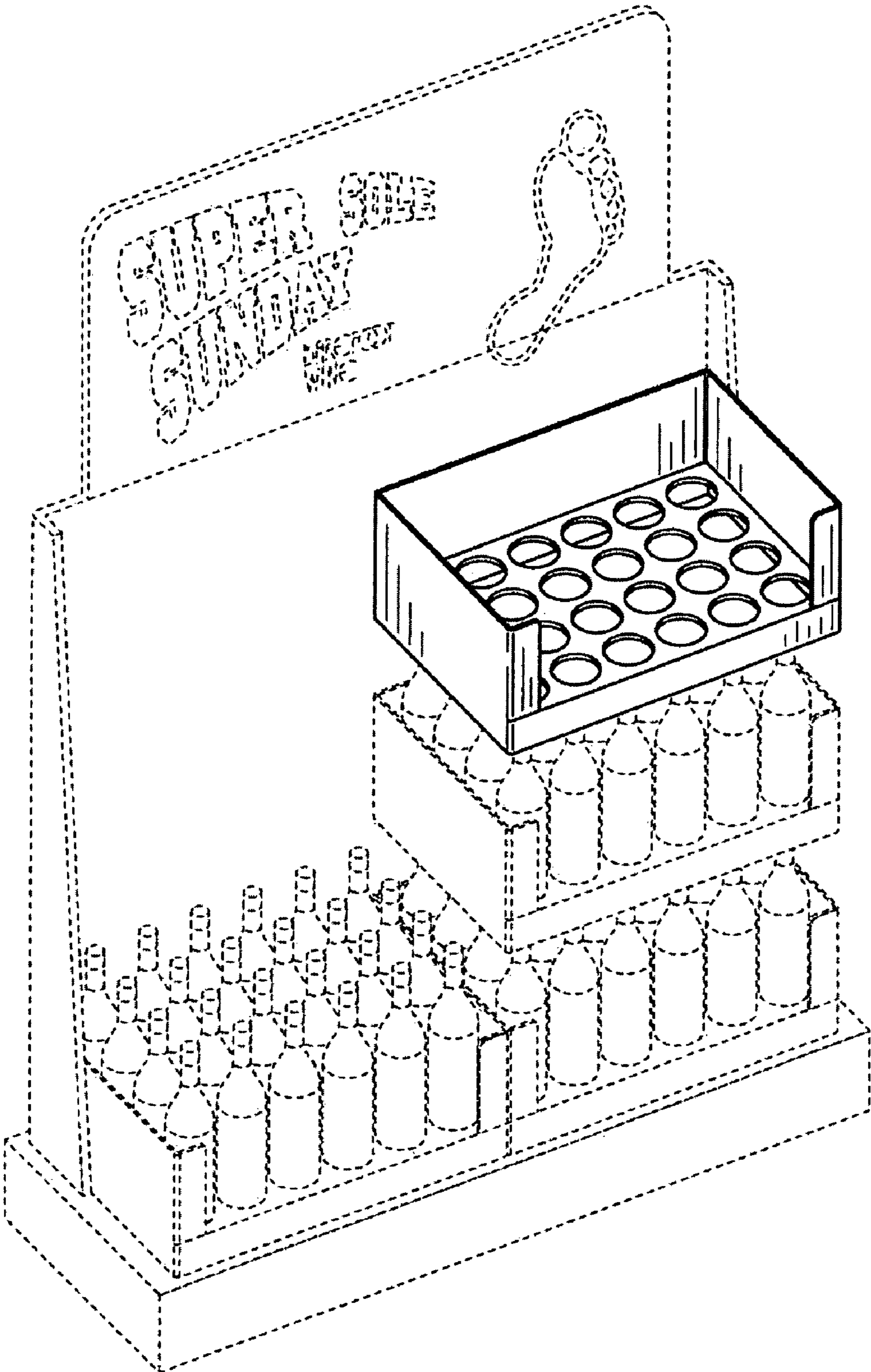


FIG. 1

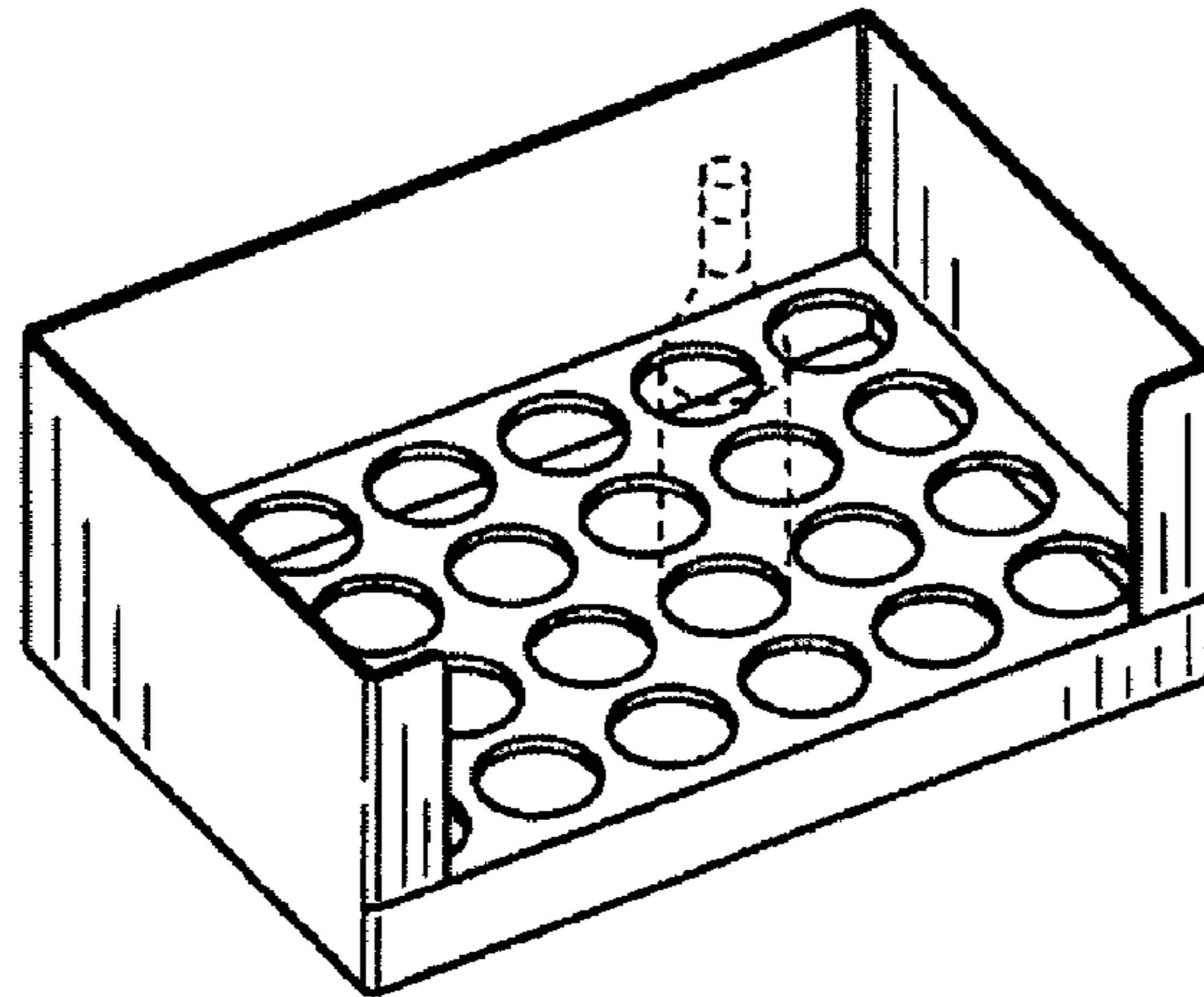


FIG. 2

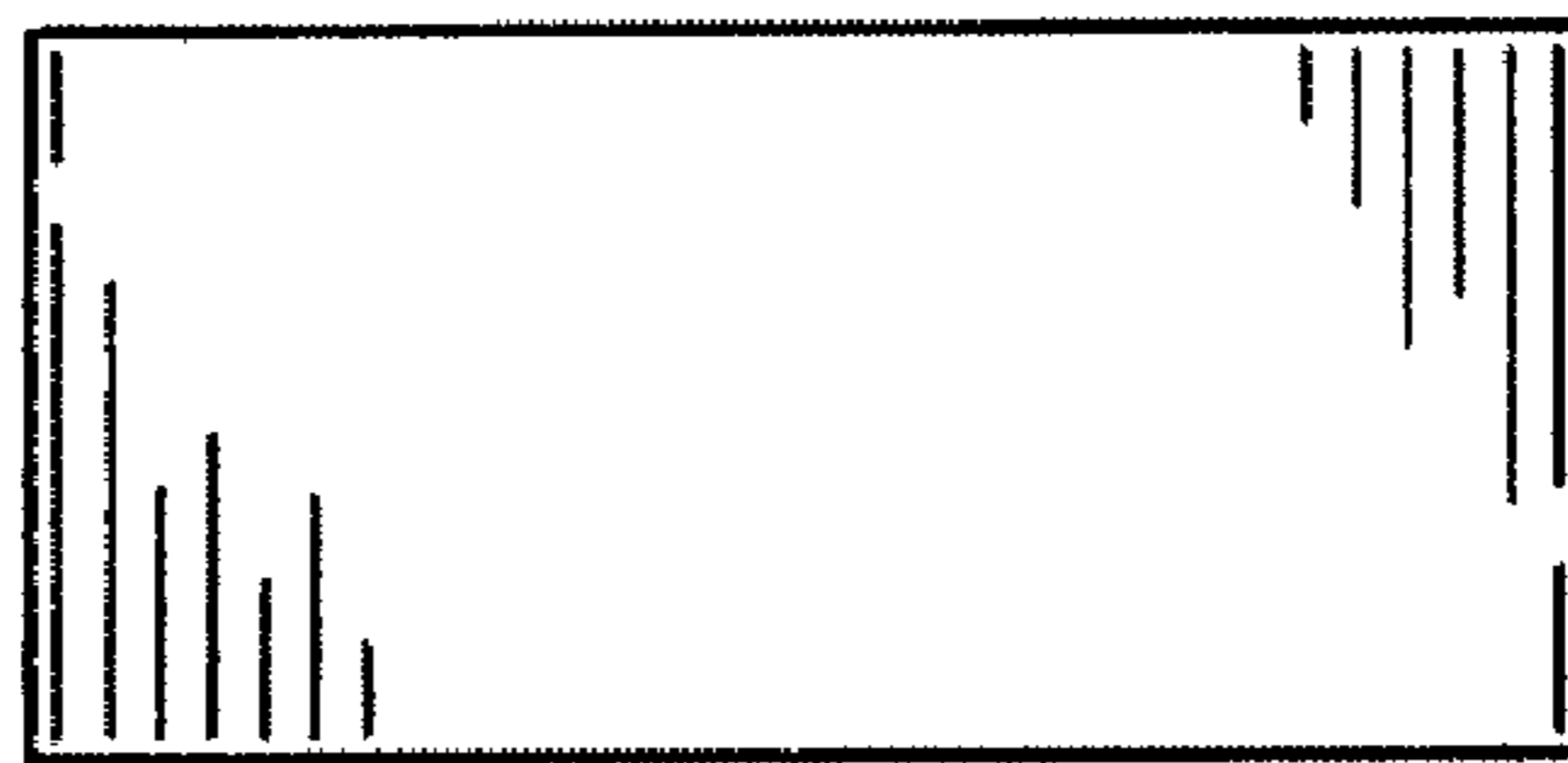


FIG. 3

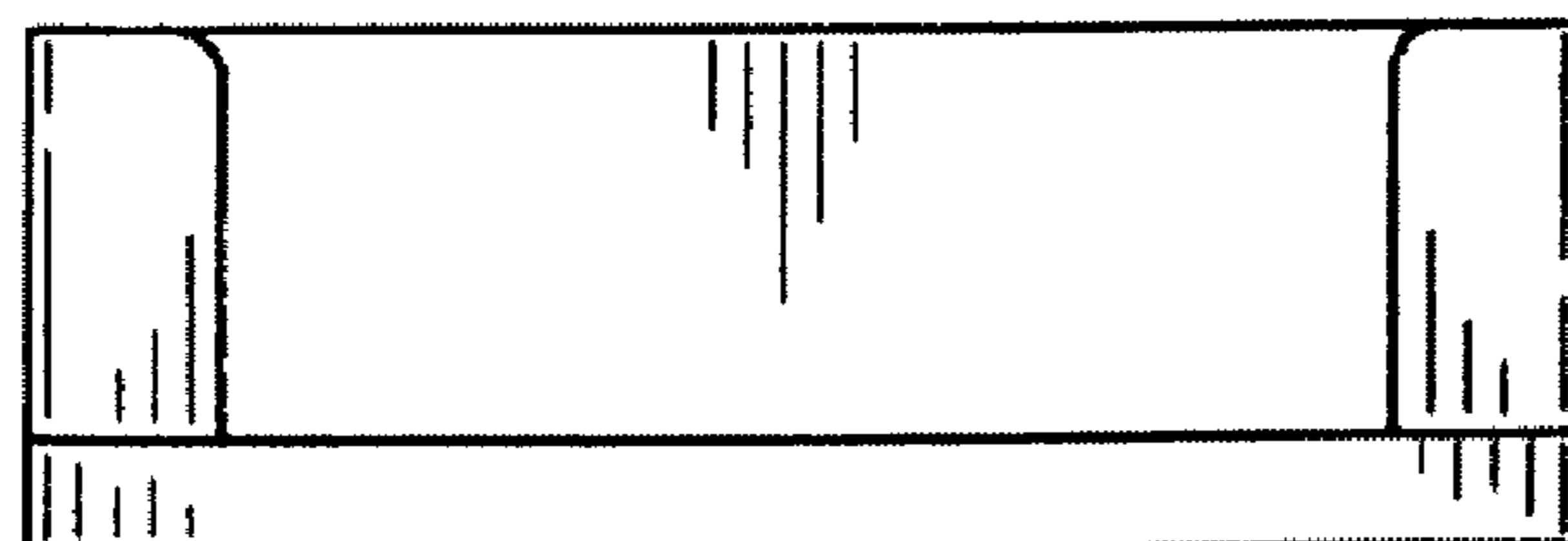


FIG. 4

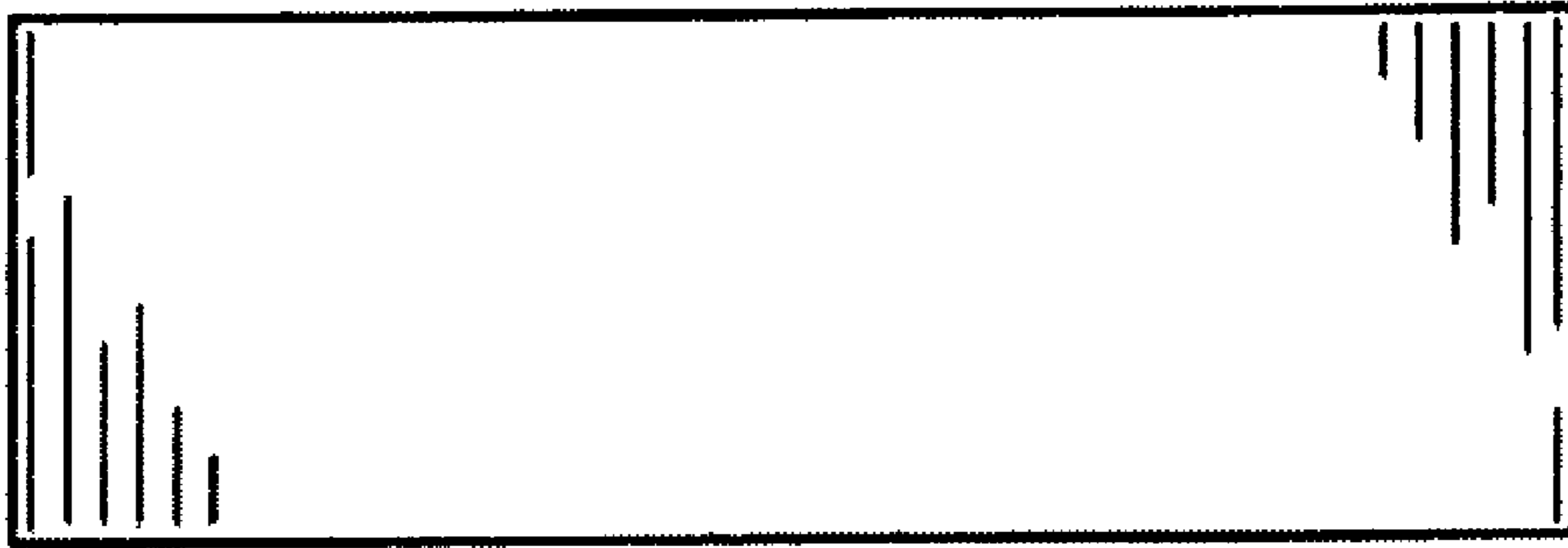


FIG. 5

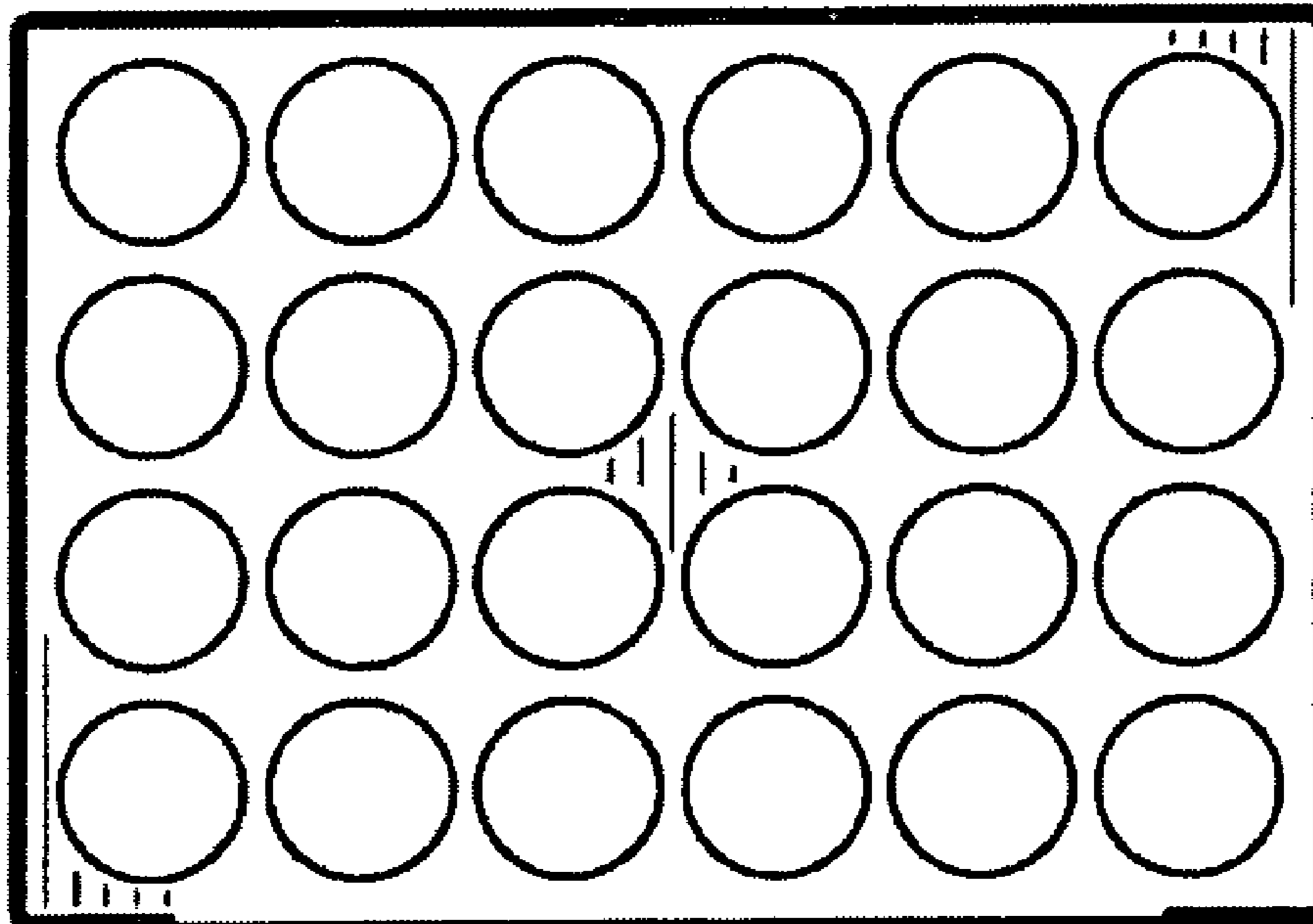


FIG. 6