



US00D586144S

(12) **United States Design Patent**  
**Skalka**

(10) **Patent No.:** **US D586,144 S**  
(45) **Date of Patent:** **\*\* Feb. 10, 2009**

(54) **BENCH**

(75) Inventor: **Gerald Skalka**, Potomac, MD (US)

(73) Assignee: **Victor Stanley, Inc.**, Dunkirk, MD (US)

(\*\*) Term: **14 Years**

(21) Appl. No.: **29/290,547**

(22) Filed: **Dec. 14, 2007**

(51) **LOC (9) Cl.** ..... **06-01**

(52) **U.S. Cl.** ..... **D6/381**

(58) **Field of Classification Search** ..... D6/334,  
D6/349, 355, 357, 367, 368, 370, 374-381,  
D6/500-502; 297/175, 232, 233, 283.2,  
297/283.3, 445.1, 448.1, 452.12, 452.38,  
297/452.48, 461, 462; 5/12.1, 12.2

See application file for complete search history.

(56) **References Cited**

U.S. PATENT DOCUMENTS

153,019	A *	7/1874	Ross	.....	297/450.1
D48,329	S *	12/1915	Severt	.....	D6/348
2,097,884	A *	11/1937	Kann	.....	297/287
D247,529	S *	3/1978	Lamb	.....	D6/336
4,113,312	A *	9/1978	Skalka	.....	297/452.63
D263,353	S *	3/1982	Beals	.....	D6/370
D270,500	S *	9/1983	Harper et al.	.....	D6/344
D294,782	S *	3/1988	Balderi	.....	D6/373
D299,595	S *	1/1989	Shields	.....	D6/335
D303,877	S *	10/1989	Norton	.....	D6/349
D361,901	S *	9/1995	Szekely	.....	D6/370
D365,937	S *	1/1996	Skalka	.....	D6/370
D369,692	S *	5/1996	Skalka	.....	D6/370
D381,831	S *	8/1997	Prehart	.....	D6/347
D384,512	S *	10/1997	Skalka	.....	D6/370
D386,012	S *	11/1997	Skalka	.....	D6/370

5,957,536	A *	9/1999	Sullivan	.....	297/452.2
D414,952	S *	10/1999	Slear	.....	D6/370
D419,326	S *	1/2000	Davidson	.....	D6/370
D453,424	S *	2/2002	Stewart	.....	D6/349
6,623,081	B2 *	9/2003	Snyders	.....	297/452.63
D498,079	S *	11/2004	Messier	.....	D6/381
D522,775	S	6/2006	Skalka		
D523,650	S	6/2006	Skalka		
7,073,756	B1 *	7/2006	Walton	.....	248/188.1
D526,805	S	8/2006	Skalka		
D532,620	S	11/2006	Skalka		
D536,184	S	2/2007	Skalka		
7,252,331	B1 *	8/2007	Walton	.....	297/232
D562,034	S *	2/2008	Pappas	.....	D6/495
D569,122	S *	5/2008	Flaherty	.....	D6/381

\* cited by examiner

*Primary Examiner*—Sandra Snapp

(74) *Attorney, Agent, or Firm*—Jacobson Holman PLLC

(57) **CLAIM**

The ornamental design for a bench, as shown and described.

**DESCRIPTION**

FIG. 1 is an isometric view of a design for a bench showing my new design.

FIG. 2 is a right side elevational view of the bench of FIG. 1, the left side elevational view being a mirror image thereof.

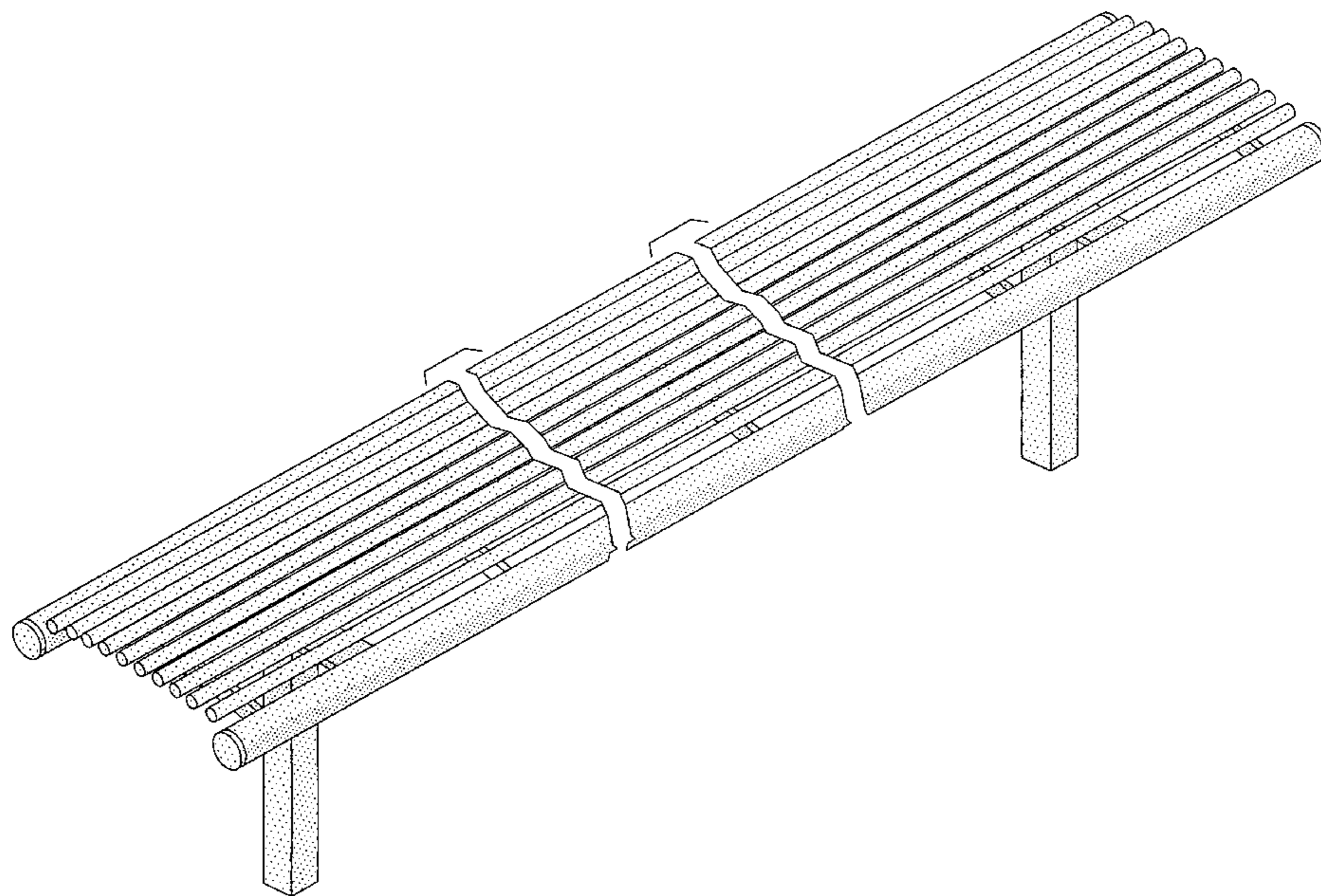
FIG. 3 is a top plan view of the bench of FIG. 1.

FIG. 4 is a front elevational view of the bench of FIG. 1, the back elevational view being a mirror image thereof; and,

FIG. 5 is a bottom plan view of the bench of FIG. 1.

The bench is shown broken-away transversely in the various views to indicate that a specific length forms no part of the claimed design.

**1 Claim, 2 Drawing Sheets**



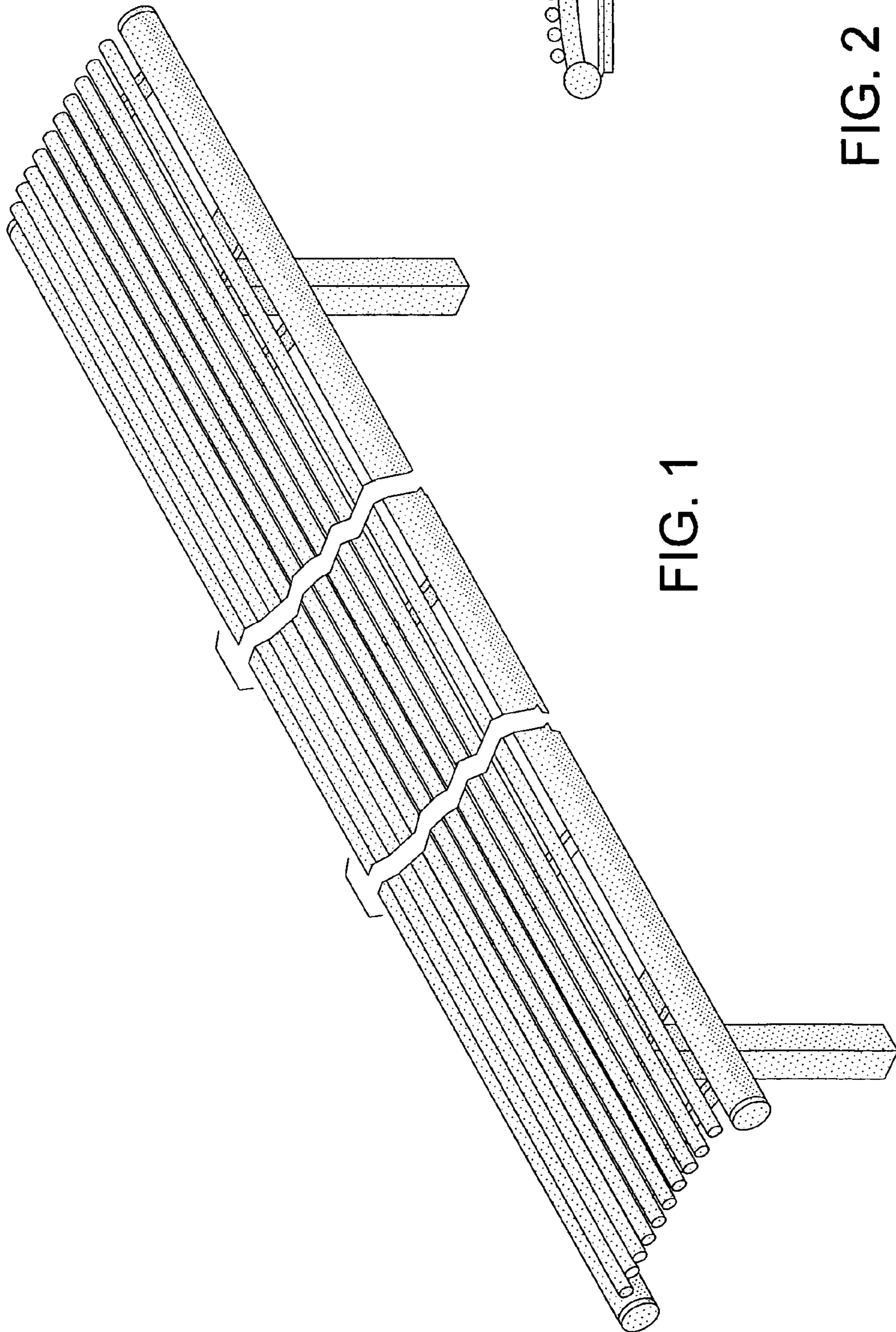


FIG. 1

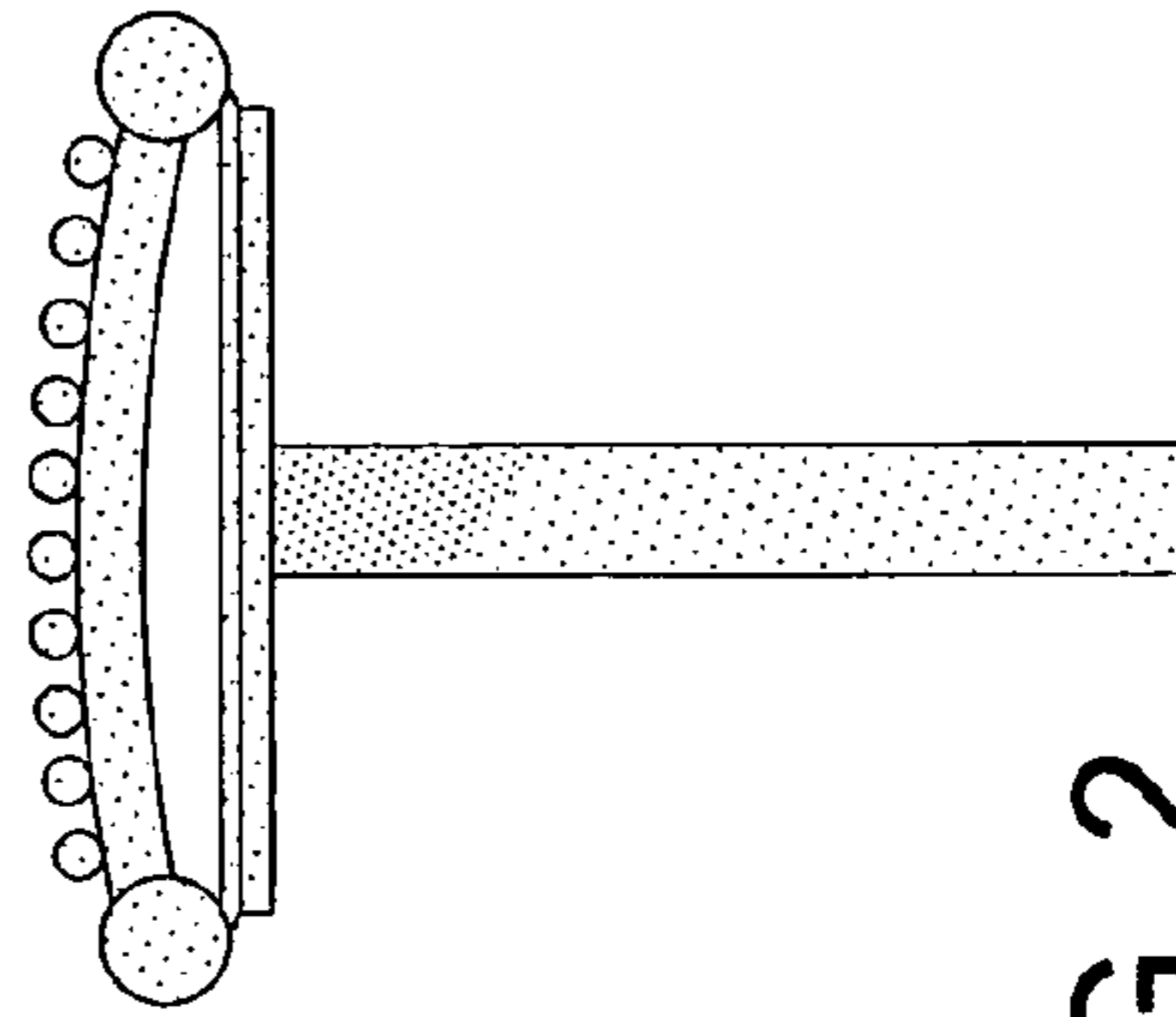


FIG. 2

FIG. 3

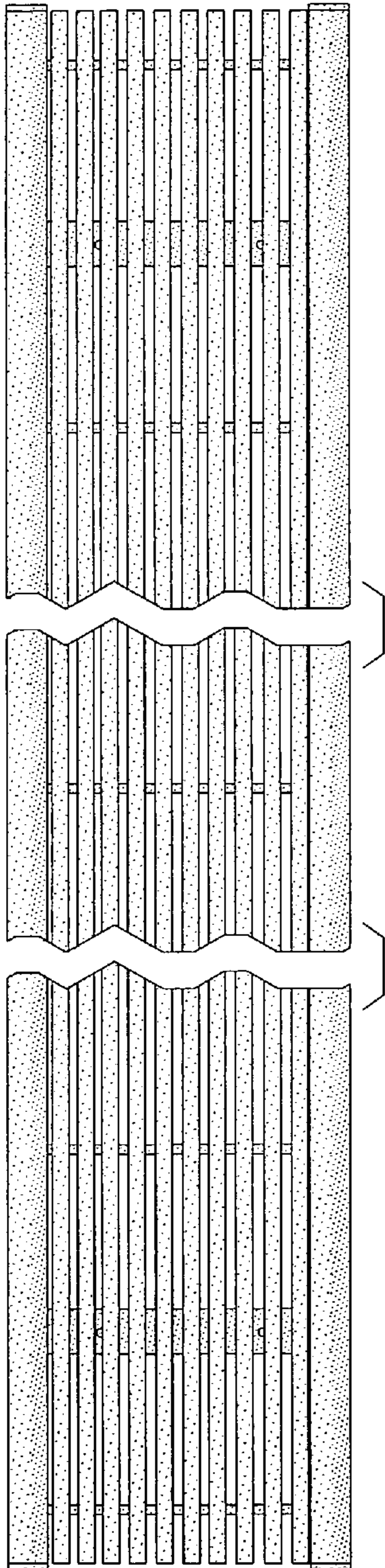


FIG. 4

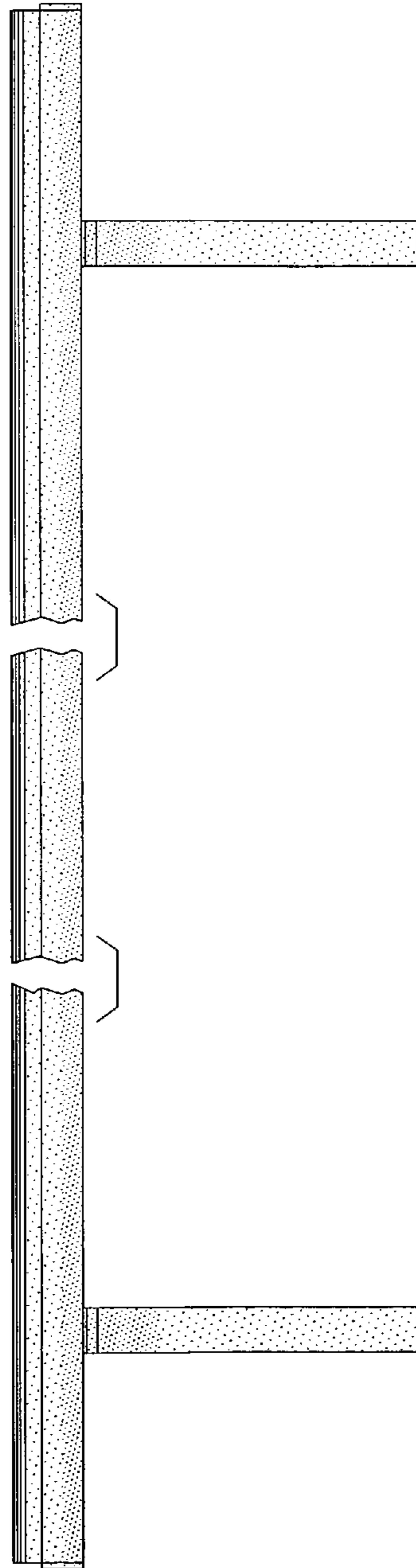


FIG. 5

