



US00D586136S

(12) **United States Design Patent**  
**Valdiserri et al.**

(10) **Patent No.:** **US D586,136 S**  
(45) **Date of Patent:** **\*\* Feb. 10, 2009**

(54) **SEATING UNIT**

D373,695 S 9/1996 Buffon  
(Continued)

(75) Inventors: **David G. Valdiserri**, Grand Rapids, MI (US); **Gardner J. Klaasen, II**, Ada, MI (US); **Kirt D. Martin**, Alto, MI (US); **David C. Eberlein**, Hudsonville, MI (US)

*Primary Examiner*—Caron Veynar  
*Assistant Examiner*—Abraham Bahta  
(74) *Attorney, Agent, or Firm*—Price, Heneveld, Cooper DeWitt & Litton, LLP

(73) Assignee: **Steelcase Inc.**, Grand Rapids, MI (US)

(57) **CLAIM**

(\*\*) Term: **14 Years**

We claim the ornamental design for seating unit, as shown.

(21) Appl. No.: **29/284,741**

**DESCRIPTION**

(22) Filed: **Sep. 14, 2007**

**Related U.S. Application Data**

(62) Division of application No. 29/231,566, filed on Jun. 7, 2005, now Pat. No. Des. 554,381.

FIG. 1 is a perspective view of a first seating unit embodying the present invention;

FIG. 2 is a front view of the seating unit shown in FIG. 1;

FIG. 3 is a right side view of the seating unit shown in FIG. 1, the left side being a mirror image thereof;

FIG. 4 is a rear view of the seating unit shown in FIG. 1;

(51) **LOC (9) Cl.** ..... **06-01**

(52) **U.S. Cl.** ..... **D6/366**

(58) **Field of Classification Search** ..... D6/366,  
D6/377, 374-375, 334-336, 379-380, 500-502;  
297/452.21, 452.26, 452.29, 452.35, 452.32,  
297/452.48, 411.2, 411.27, 411.24  
See application file for complete search history.

FIG. 5 is a top view of the seating unit shown in FIG. 1; and

FIG. 6 is a bottom view of the seating unit shown in FIG. 1.

FIG. 7 is a perspective view of a second seating unit embodying the present invention;

FIG. 8 is a front view of the seating unit shown in FIG. 7;

FIG. 9 is a right side view of the seating unit shown in FIG. 7, the left side being a mirror image thereof;

FIG. 10 is a rear view of the seating unit shown in FIG. 7;

FIG. 11 is a top view of the seating unit shown in FIG. 7; and

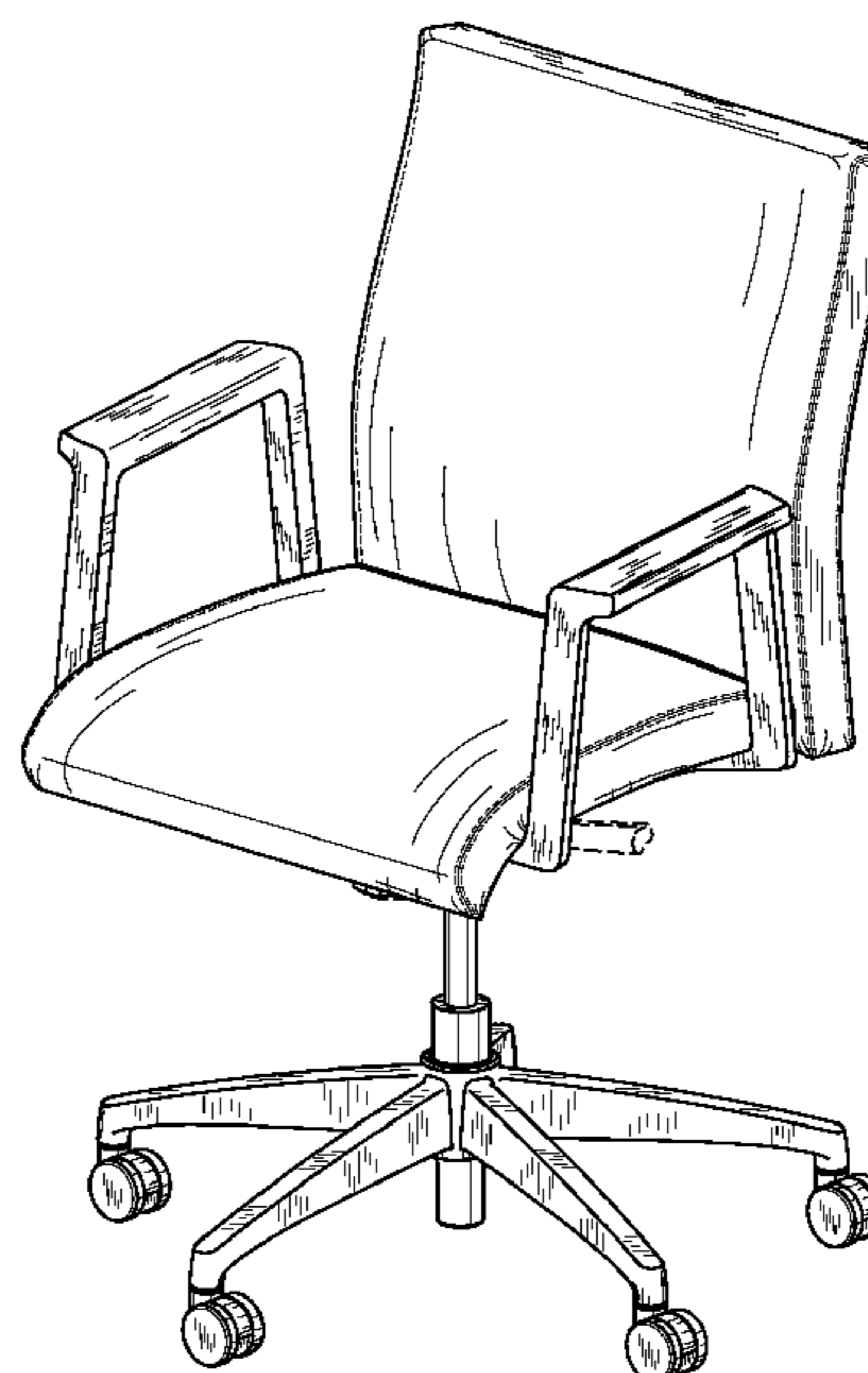
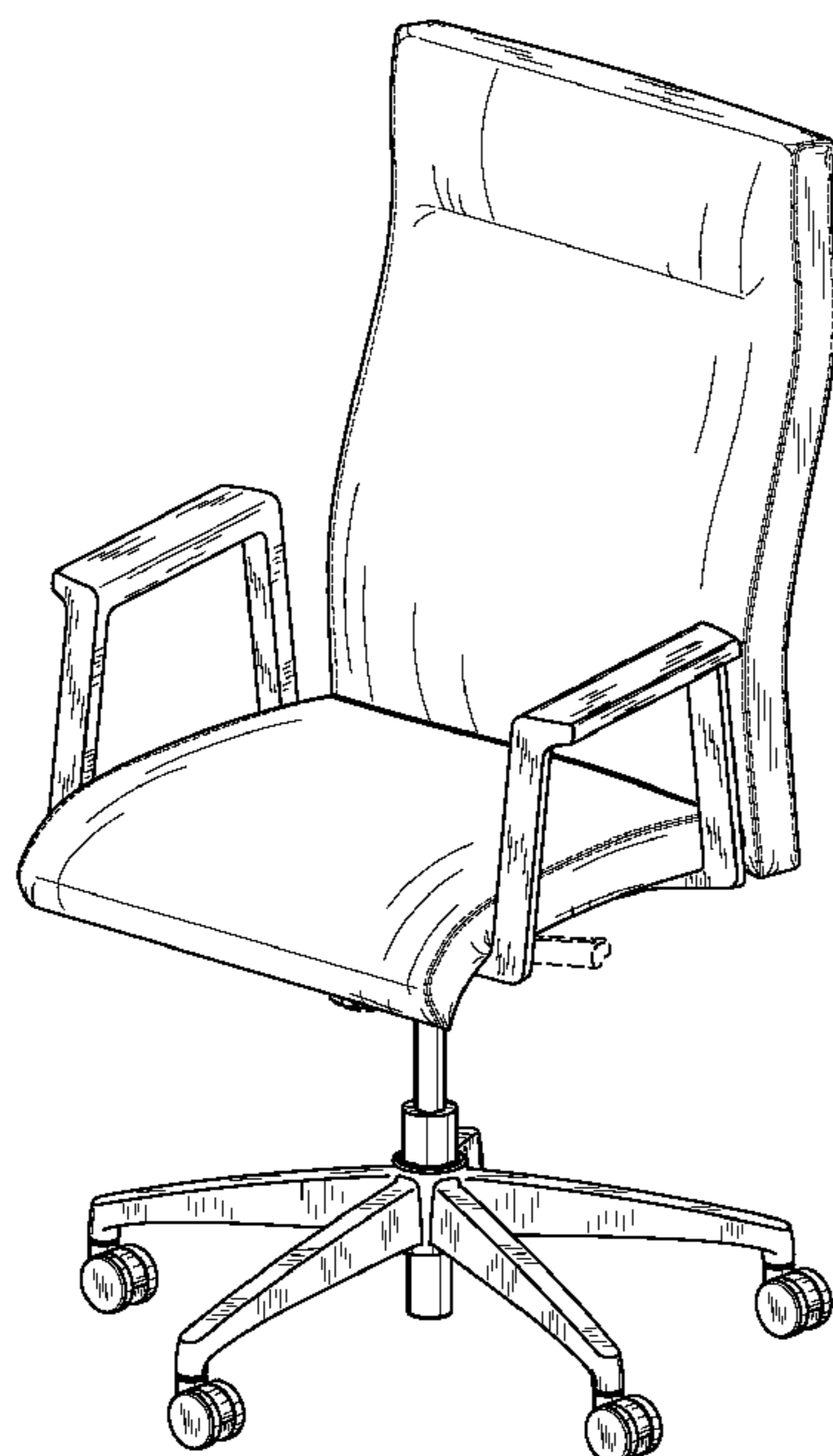
FIG. 12 is a bottom view of the seating unit shown in FIG. 7. The dashed lines and broken lines show environment and are not part of the invention claimed.

(56) **References Cited**

**U.S. PATENT DOCUMENTS**

D155,728 S	10/1949	Paden
D303,888 S	10/1989	Stafford
D304,885 S	12/1989	Wilson
D313,705 S	1/1991	Hensel et al.
D368,817 S	4/1996	Schultz
D370,789 S	6/1996	Groulx

**1 Claim, 6 Drawing Sheets**



# US D586,136 S

Page 2

---

U.S. PATENT DOCUMENTS					
D391,424 S	3/1998	Raftery	D489,542 S	5/2004	Giugiaro
D399,668 S	10/1998	Crinion	D490,994 S	6/2004	Schmitz et al.
D402,128 S	12/1998	Wilson	D491,398 S	6/2004	True
D405,283 S	2/1999	James	D492,143 S	6/2004	True
D409,022 S	5/1999	Vanderwood et al.	D493,987 S	8/2004	True
D409,406 S	5/1999	Kaczmarek	D494,389 S	8/2004	True
D416,141 S	11/1999	Beaulieu	D494,390 S	8/2004	True
D416,702 S	11/1999	Kaczmarek	D494,391 S	8/2004	True
D418,316 S	1/2000	Vogtherr	D494,788 S	8/2004	True
D428,724 S	8/2000	Beaulieu	D494,790 S	8/2004	True
D429,584 S	8/2000	Brettschneider et al.	D495,168 S	8/2004	True
D433,853 S	11/2000	Shamir	D495,169 S	8/2004	True
D436,770 S	1/2001	Schultz	D495,170 S	8/2004	True
D439,083 S	3/2001	Tseng	D495,906 S	9/2004	True
D445,579 S	7/2001	Olson	D495,907 S	9/2004	True
D446,033 S	8/2001	Koepke et al.	D496,535 S	9/2004	Goodworth
D465,361 S	11/2002	Chi	D504,040 S	4/2005	True
6,517,158 B1	2/2003	Wang	D505,024 S *	5/2005	Bellin ..... D6/366
D471,024 S	3/2003	Chadwick et al.	D530,935 S	10/2006	Huang
D471,728 S	3/2003	Tseng	D535,126 S	1/2007	Loew et al.
D474,040 S	5/2003	Meda	D535,831 S	1/2007	Huang
D474,051 S	5/2003	Tseng	D536,890 S	2/2007	Loew
D474,052 S	5/2003	True	D538,055 S	3/2007	Kang
D481,231 S	10/2003	True	D542,548 S *	5/2007	Yang ..... D6/366
D482,205 S	11/2003	Englisch et al.	D543,038 S *	5/2007	Benden et al. .... D6/366
D486,317 S	2/2004	Roth	D543,369 S *	5/2007	Hara ..... D6/366
			D555,377 S *	11/2007	Pensi et al. .... D6/366

\* cited by examiner

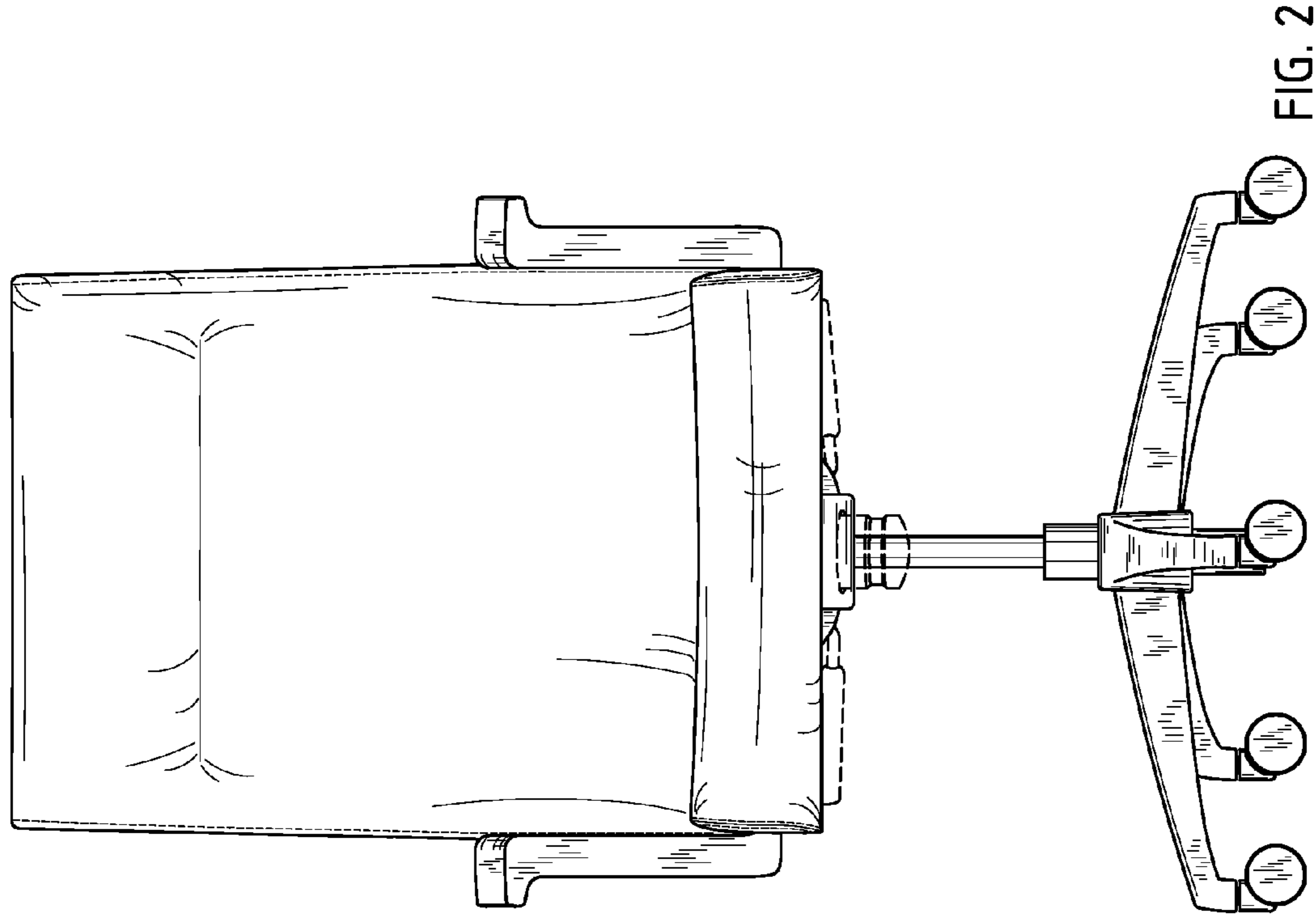


FIG. 2

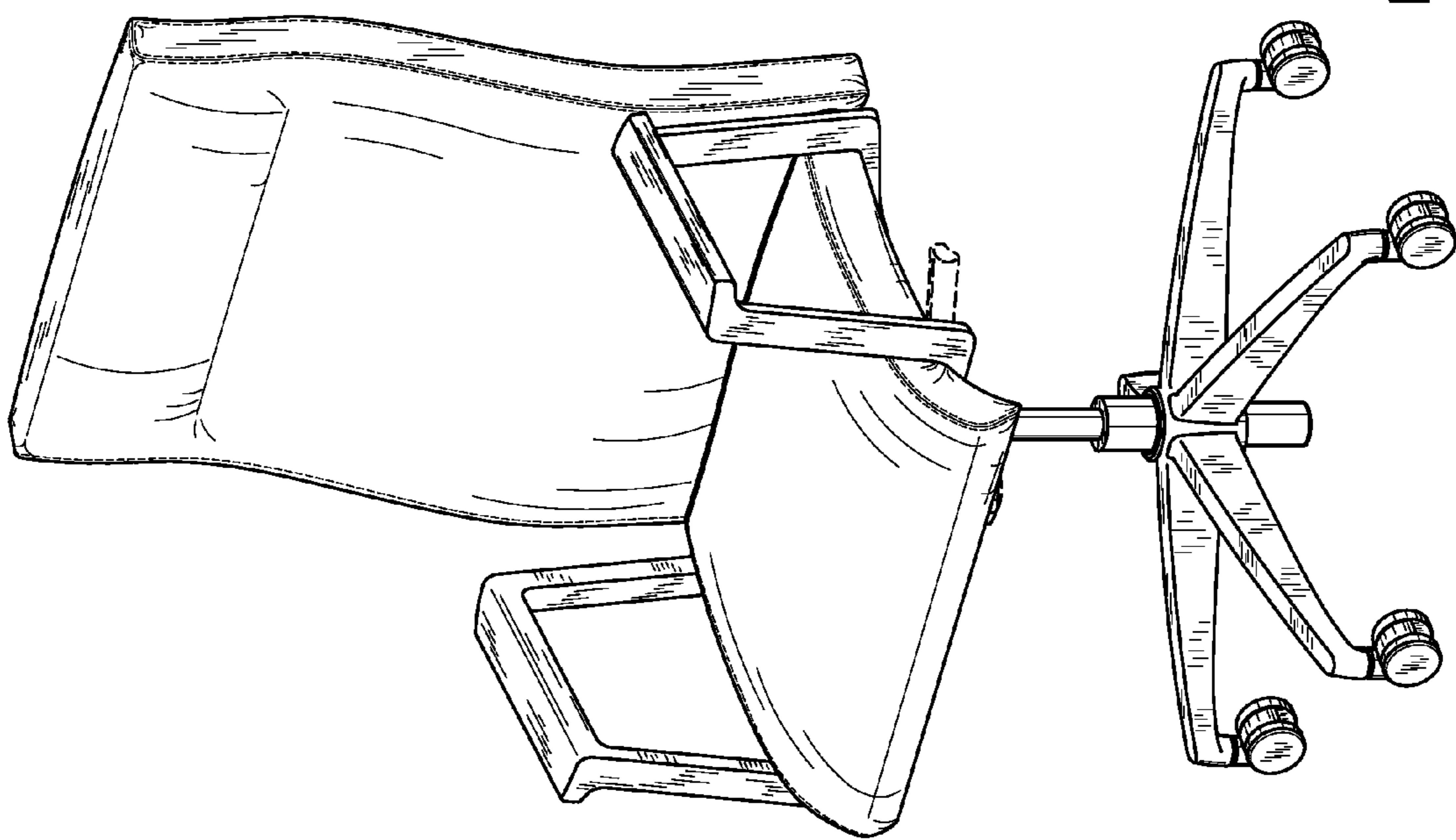
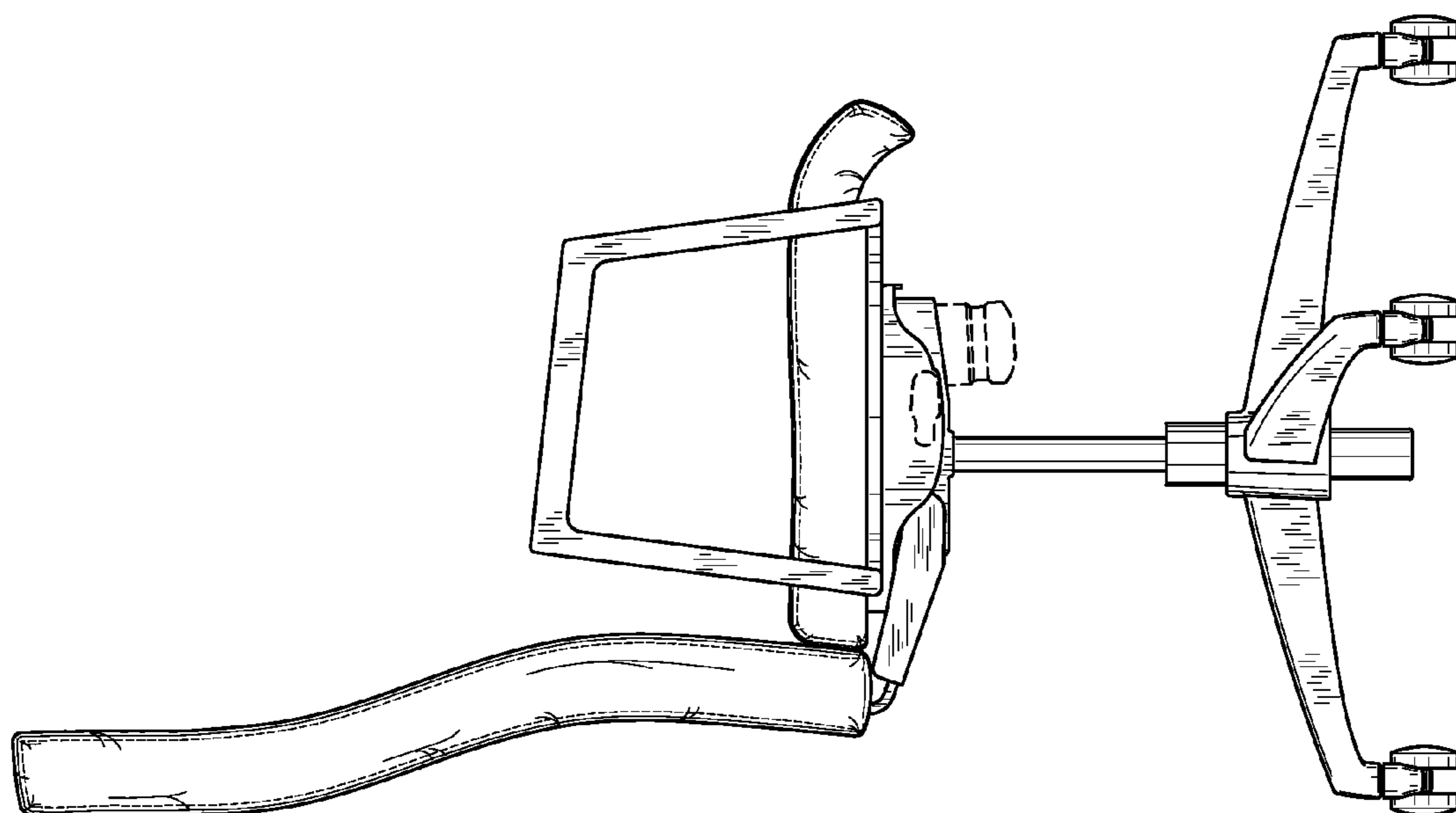
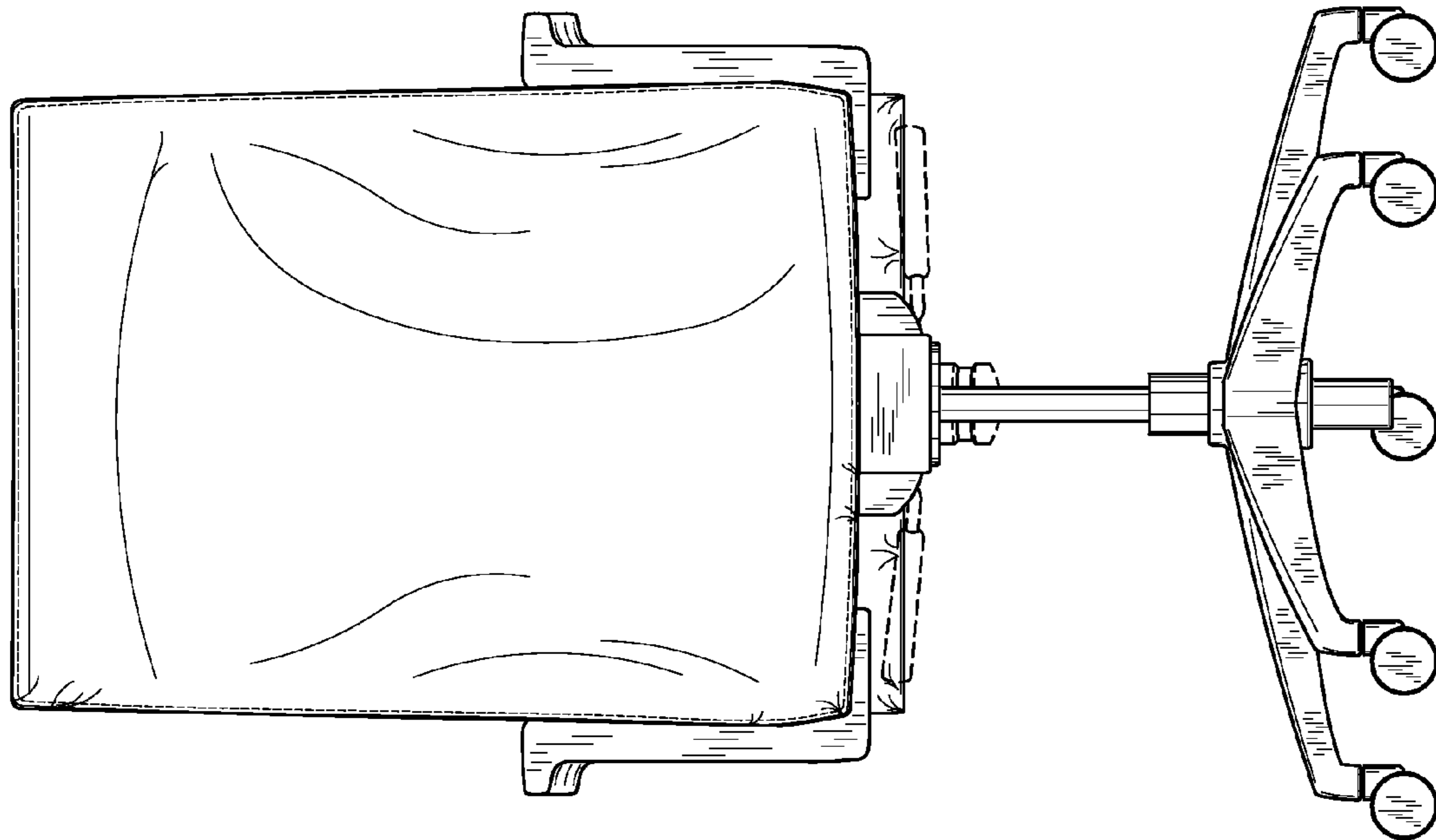


FIG. 1



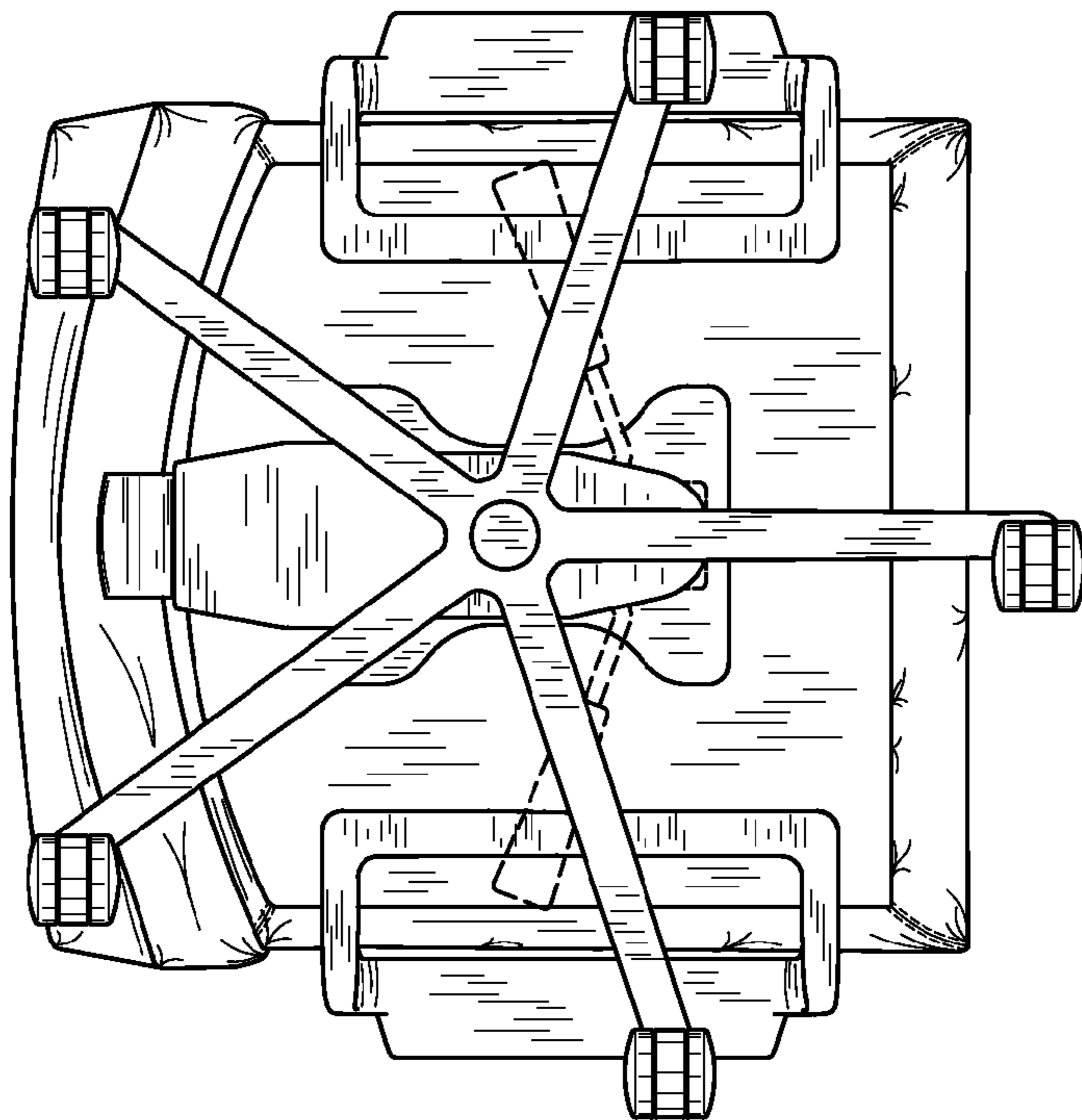


FIG. 6

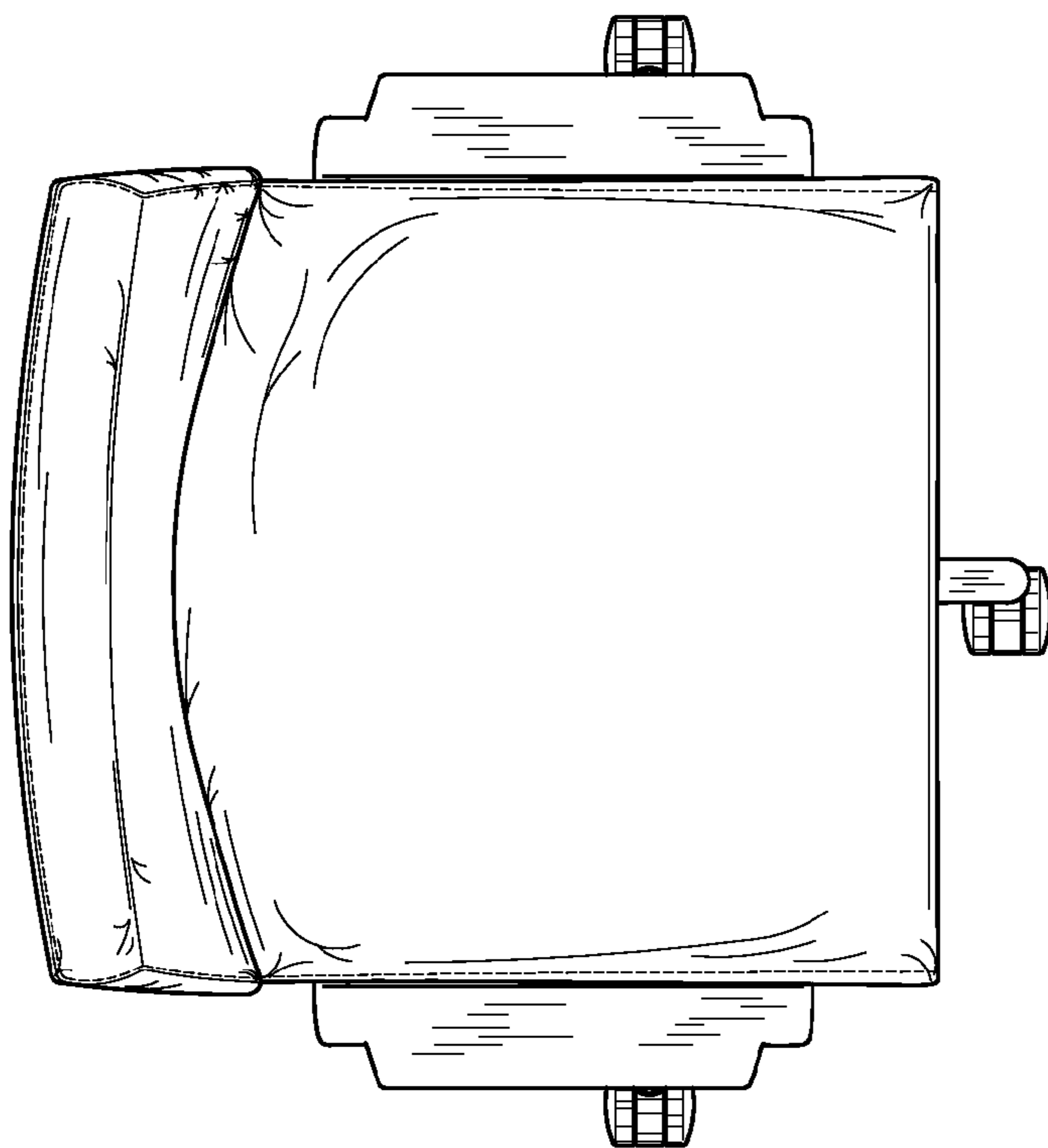


FIG. 5

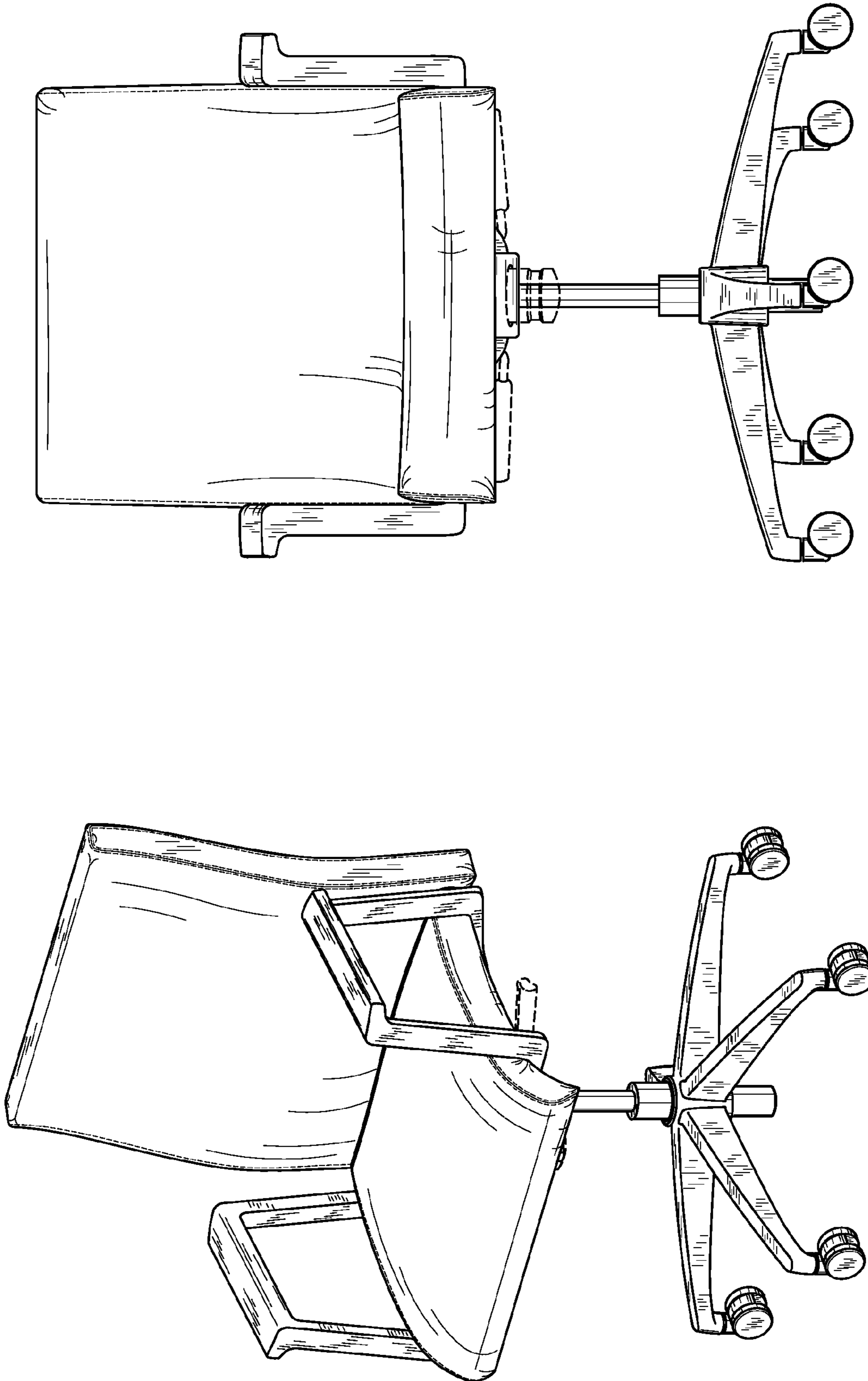


FIG. 8

FIG. 7

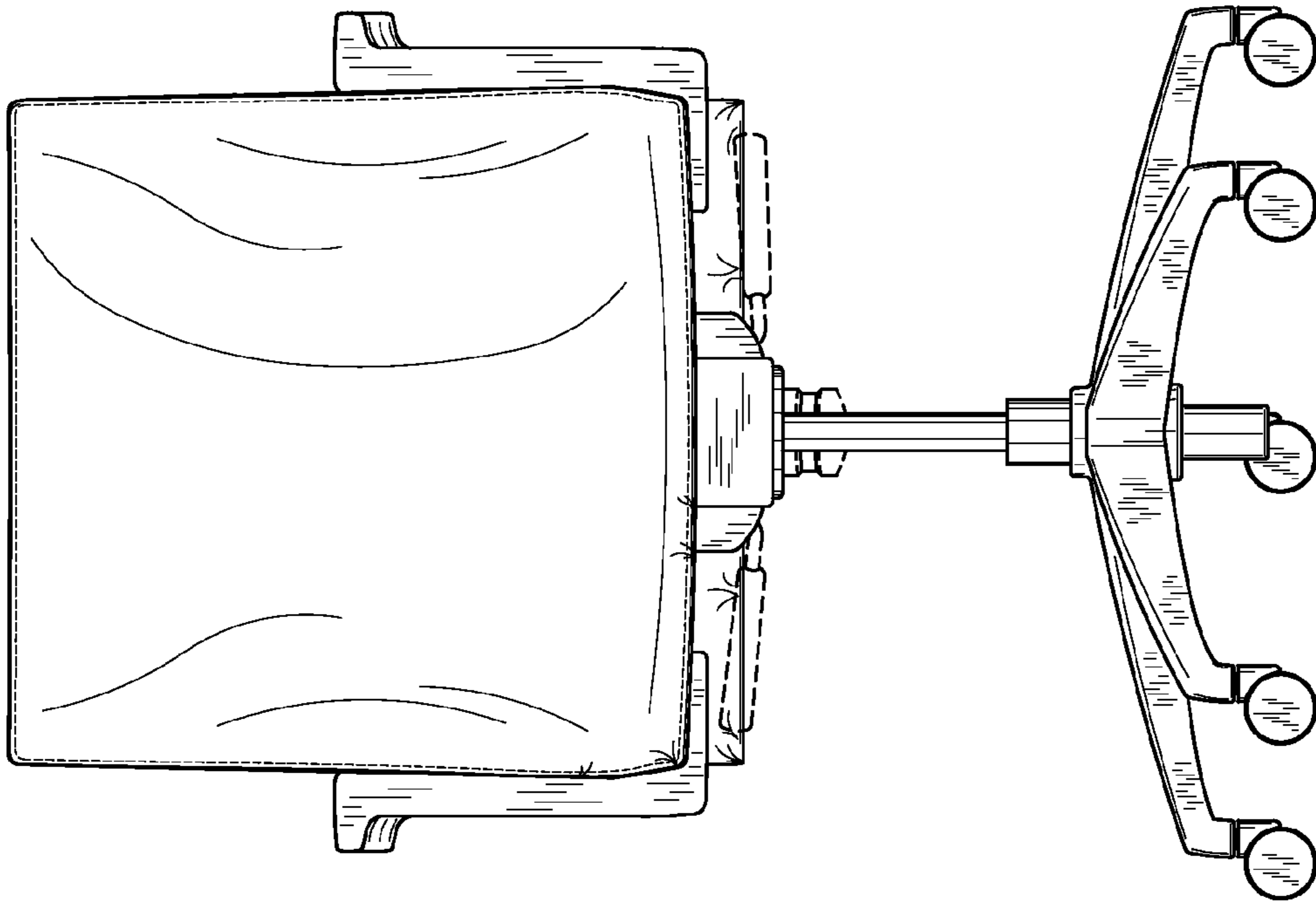


FIG. 10

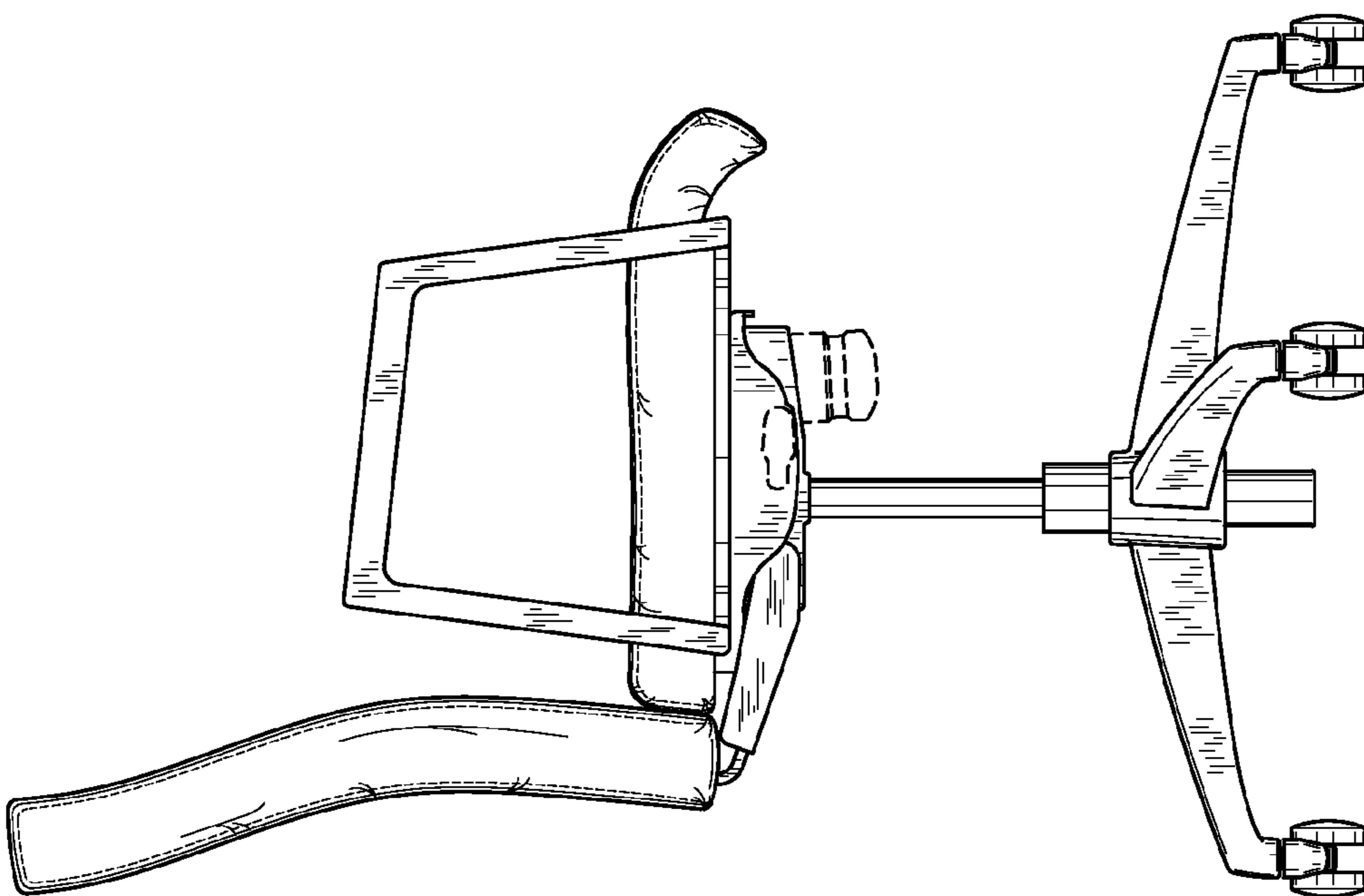


FIG. 9

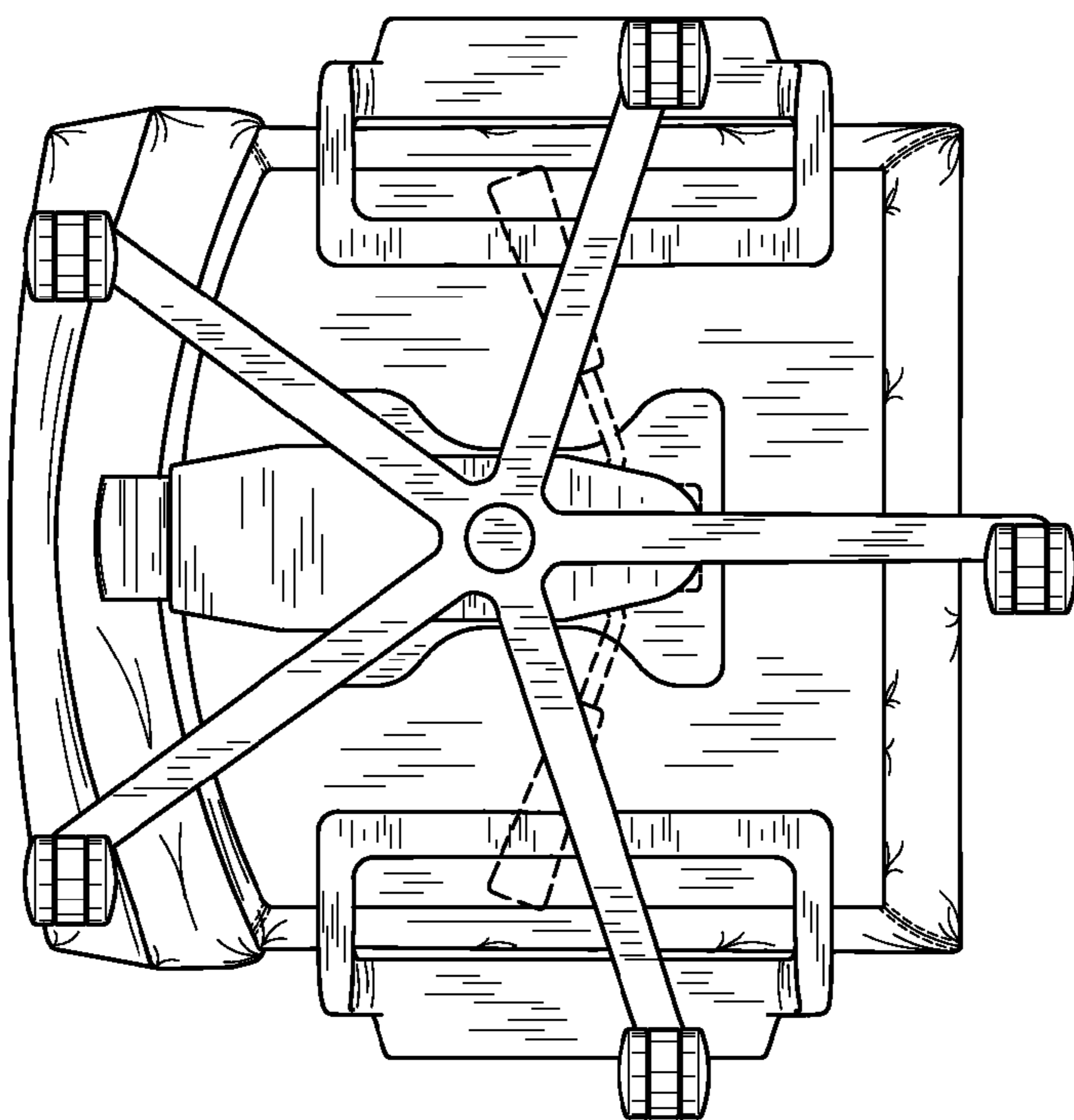


FIG. 11

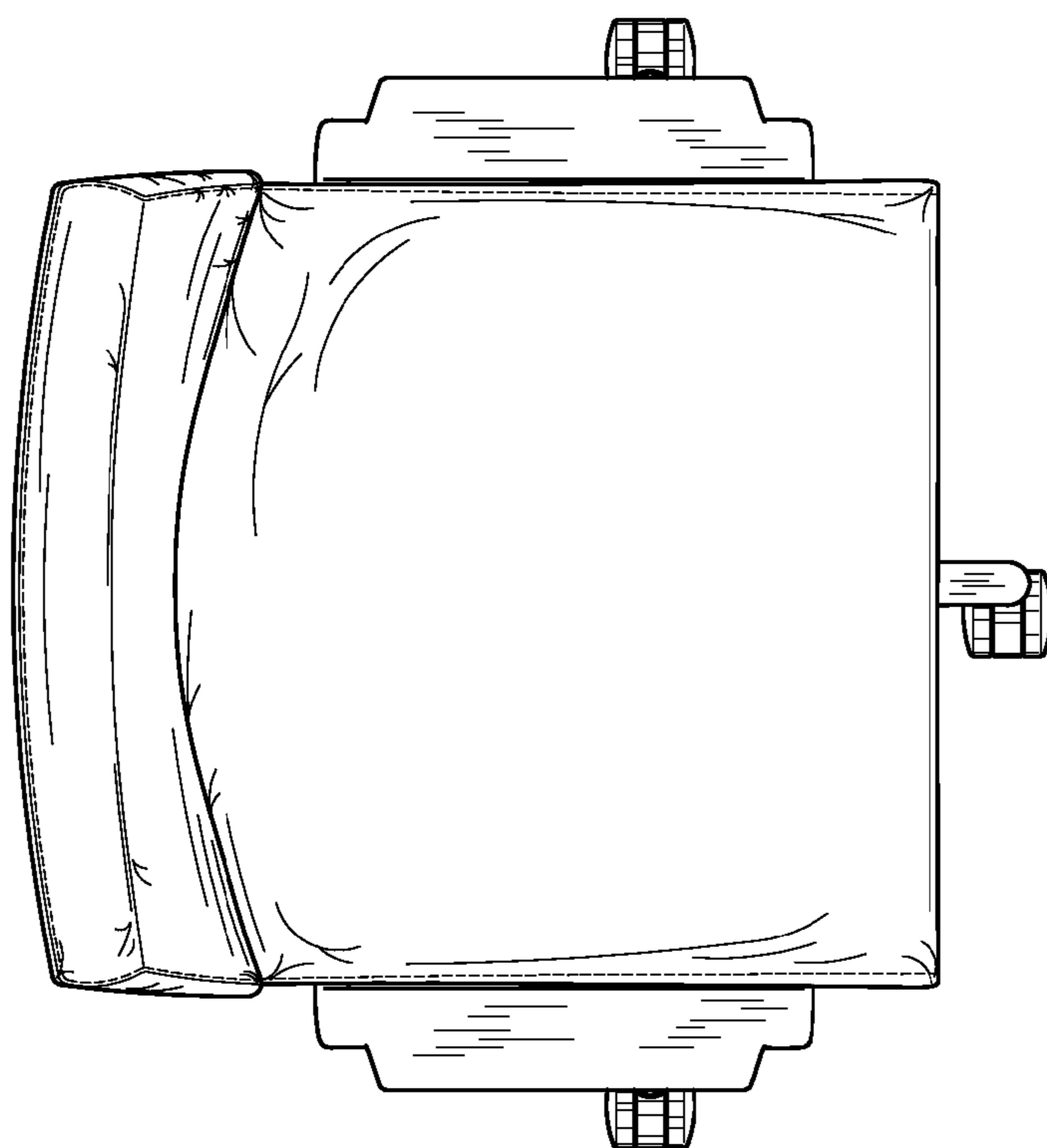


FIG. 12