



US00D586135S

(12) **United States Design Patent**  
**Lievore**

(10) **Patent No.:** **US D586,135 S**  
(45) **Date of Patent:** **\*\* Feb. 10, 2009**

(54) **CHAIR**

(75) Inventor: **Alberto Lievore**, Barcelona (ES)

(73) Assignee: **Arper S.p.A.**, Monastier Di Treviso (IT)

(\*\*) Term: **14 Years**

(21) Appl. No.: **29/281,705**

(22) Filed: **Jun. 29, 2007**

**Related U.S. Application Data**

(62) Division of application No. 29/241,486, filed on Oct. 27, 2005, now Pat. No. Des. 558,479.

(30) **Foreign Application Priority Data**

May 6, 2005 (EM) ..... 338645

(51) **LOC (9) Cl.** ..... **06-01**

(52) **U.S. Cl.** ..... **D6/366**

(58) **Field of Classification Search** ..... D6/366,  
D6/373-376, 334-335, 369-370, 379-380,  
D6/500-502, 498, 364; 297/411.2, 411.27,  
297/411.28, 452.18, 452.19, 452.3, 446.1,  
297/445.1, 411.29

See application file for complete search history.

(56) **References Cited**

**U.S. PATENT DOCUMENTS**

D204,257 S \* 4/1966 Pollock ..... D6/366  
D234,383 S \* 2/1975 Tacke ..... D6/366  
D236,303 S \* 8/1975 Prizlow ..... D6/366

D241,288 S \* 9/1976 Tacke ..... D6/366  
D248,068 S \* 6/1978 Roericht ..... D6/366  
D249,302 S \* 9/1978 Ruf ..... D6/366  
D347,333 S \* 5/1994 Von Klier ..... D6/366  
5,988,746 A \* 11/1999 Raftery ..... 297/297  
D462,846 S \* 9/2002 Gasca Burges ..... D6/366  
D463,145 S \* 9/2002 Gasca Burges ..... D6/366  
D550,466 S \* 9/2007 Molina et al. .... D6/366  
D552,368 S \* 10/2007 Scheper et al. .... D6/375  
D558,998 S \* 1/2008 Hara ..... D6/366

\* cited by examiner

*Primary Examiner*—Caron Veynar

*Assistant Examiner*—Abraham Bahta

(74) *Attorney, Agent, or Firm*—Scully, Scott, Murphy & Presser, P.C.

(57) **CLAIM**

The ornamental design for a chair, as shown and described.

**DESCRIPTION**

FIG. 1 is a right side view of the chair, showing my new design;

FIG. 2 is a front view thereof;

FIG. 3 is a rear view thereof;

FIG. 4 is a left side view thereof;

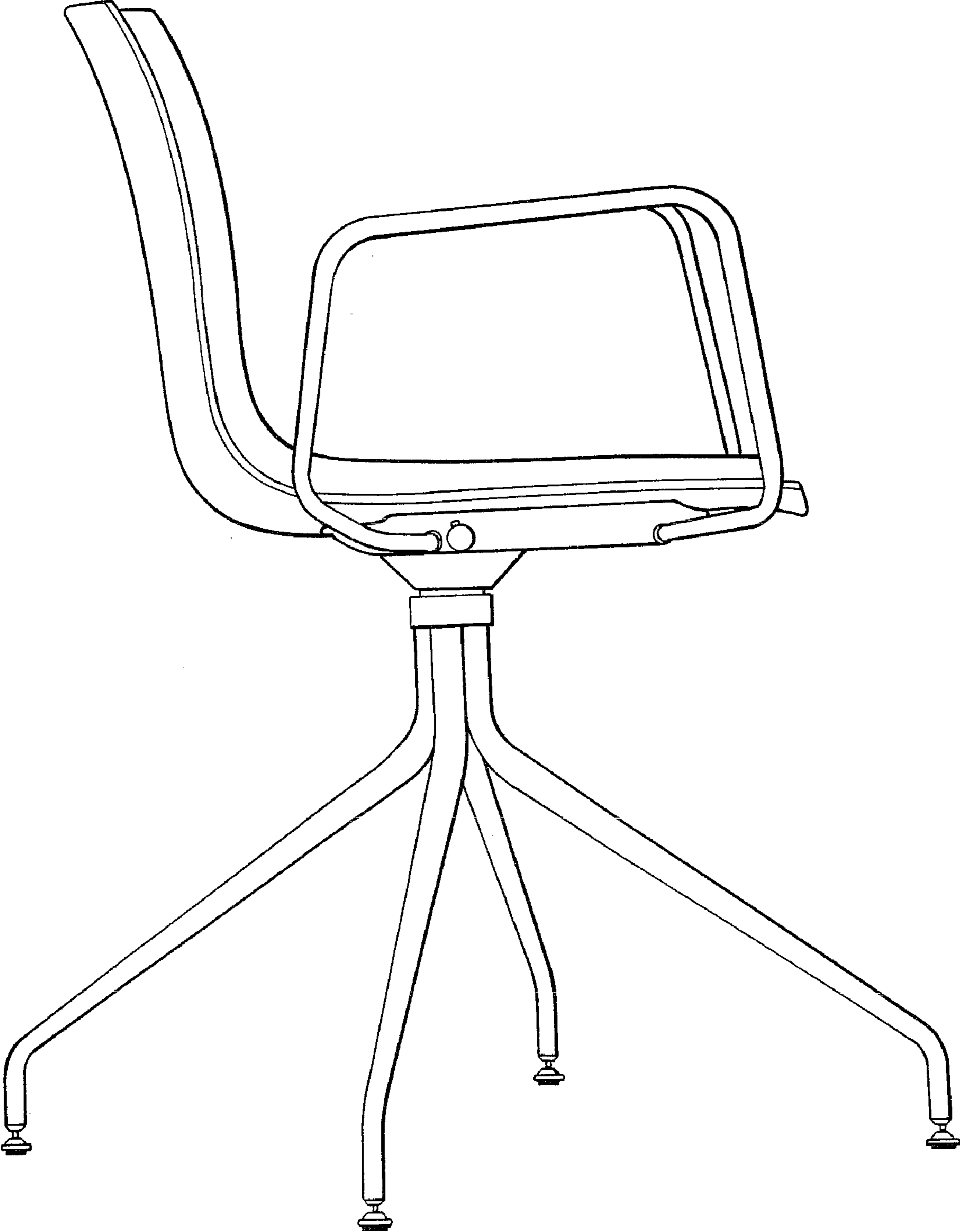
FIG. 5 is a front and side perspective view thereof;

FIG. 6 is a top view thereof; and,

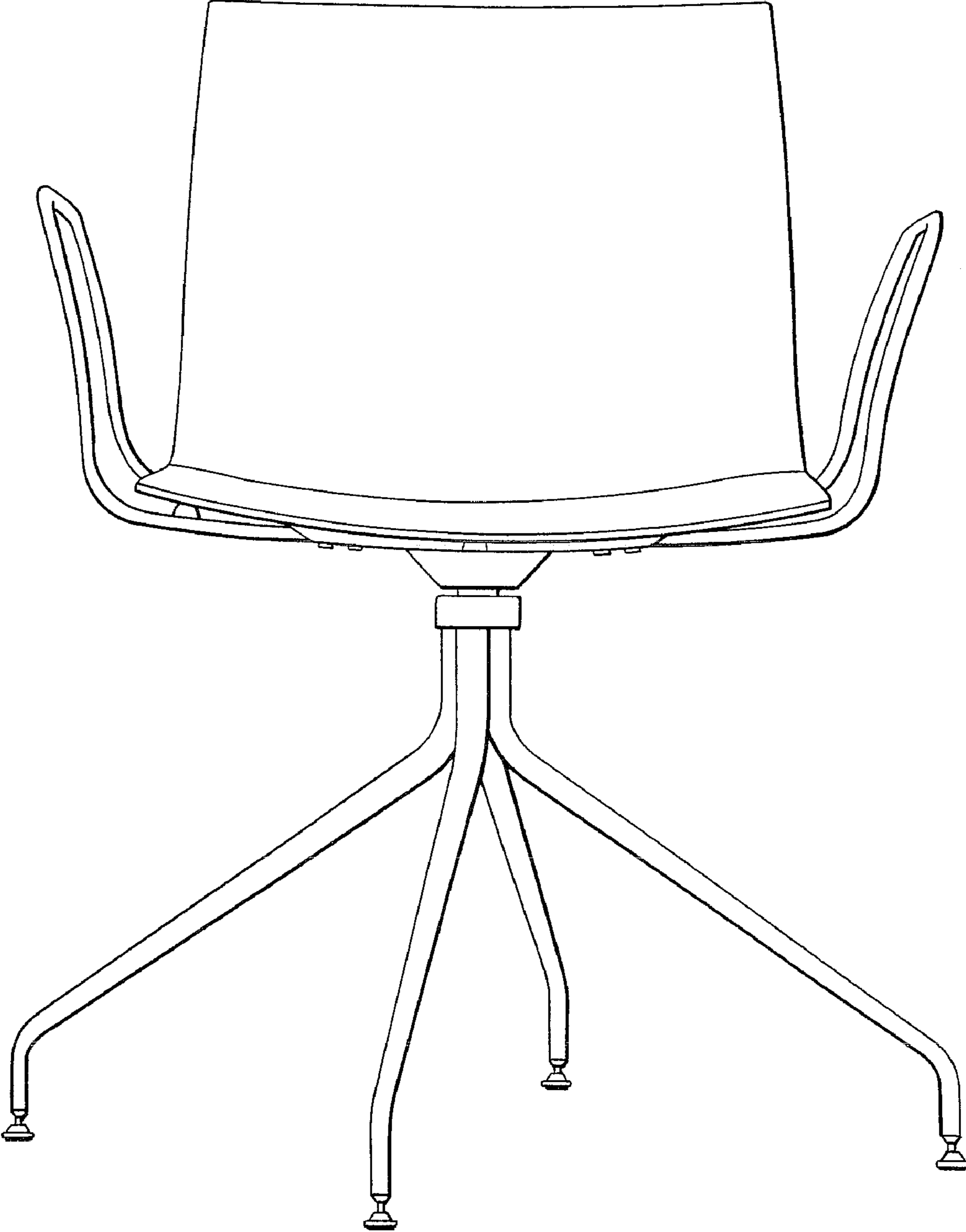
FIG. 7 is a bottom view thereof.

**1 Claim, 7 Drawing Sheets**

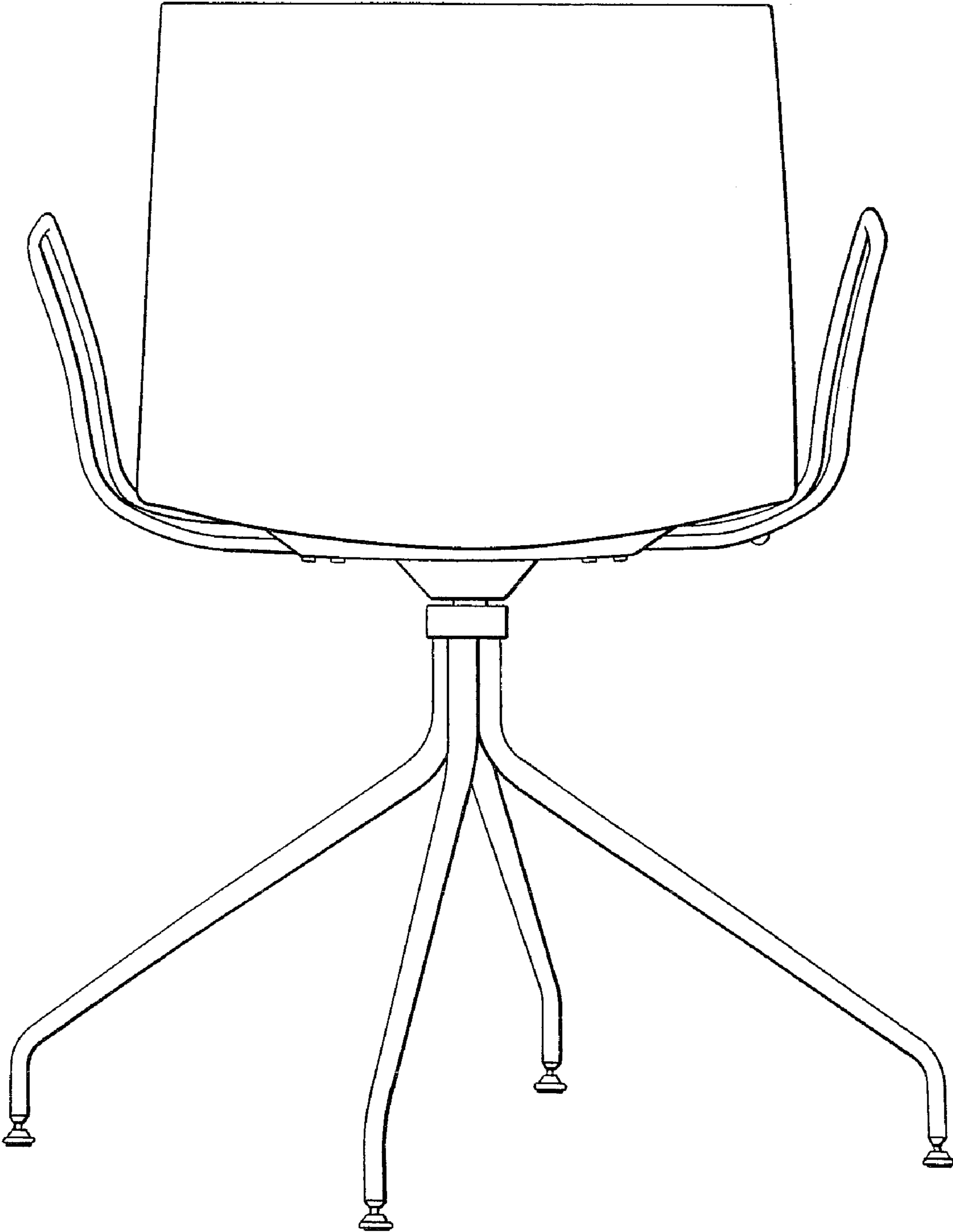




*FIG. 1*



*Fig. 2*



*FIG. 3*

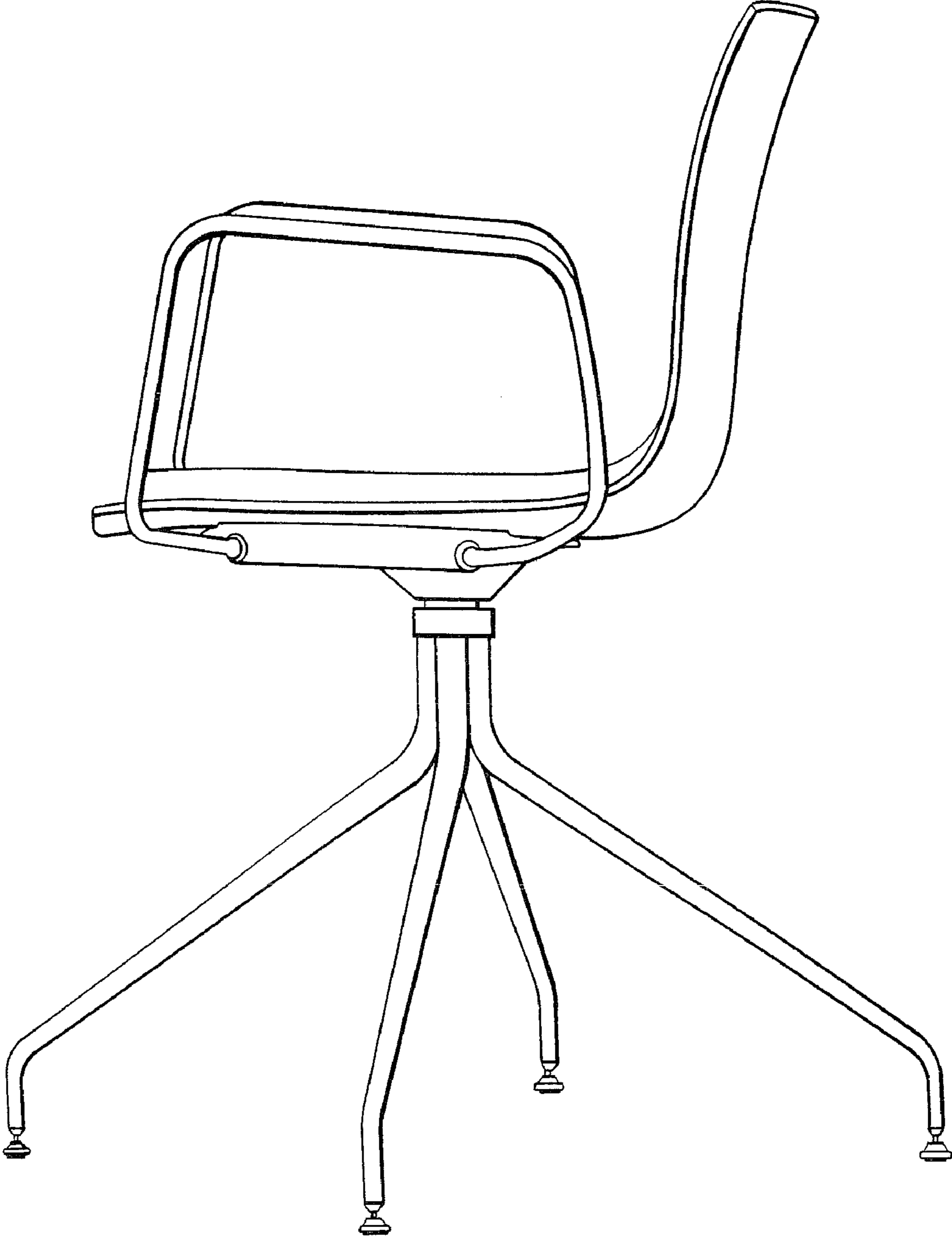


FIG. 4



*FIG. 5*

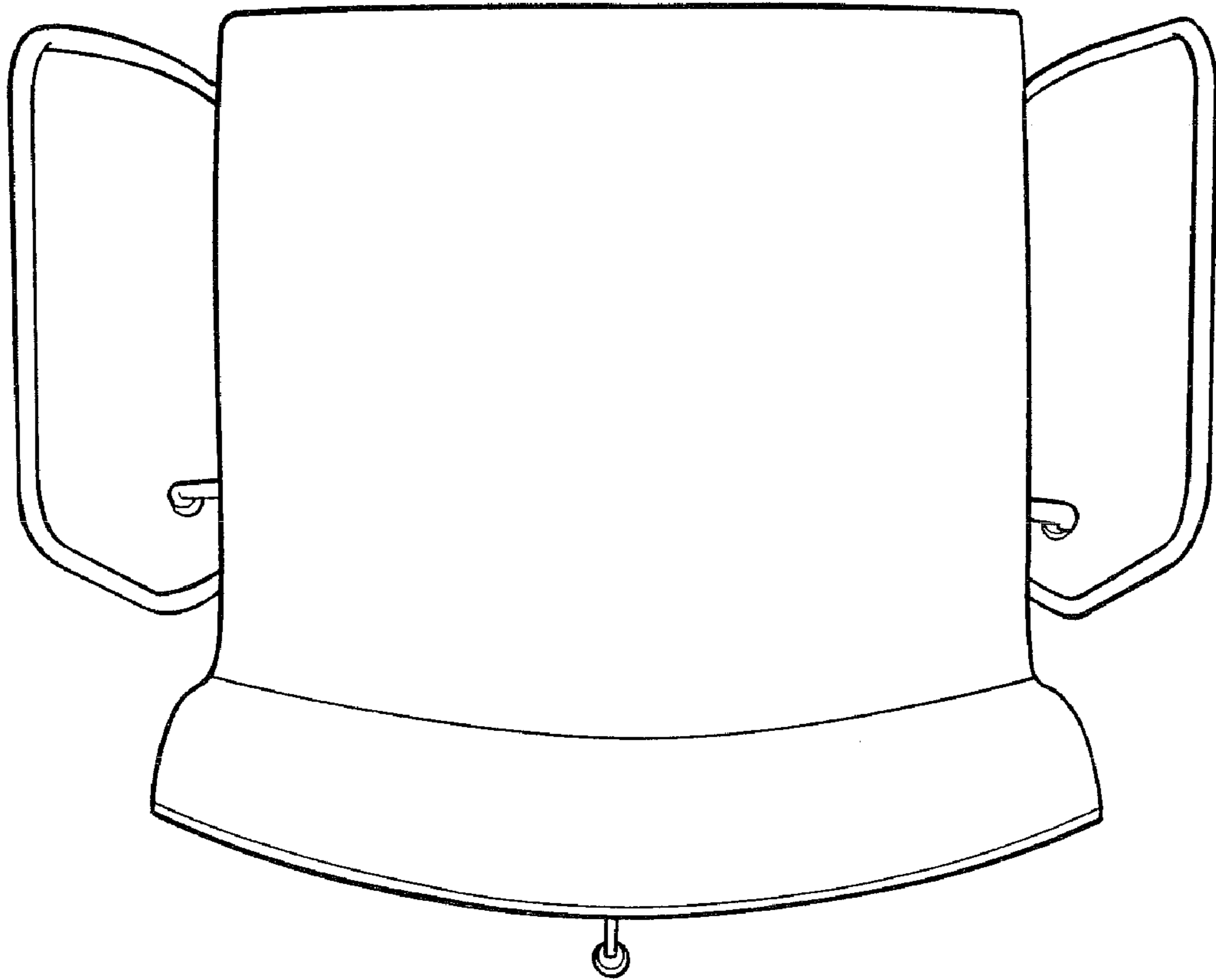
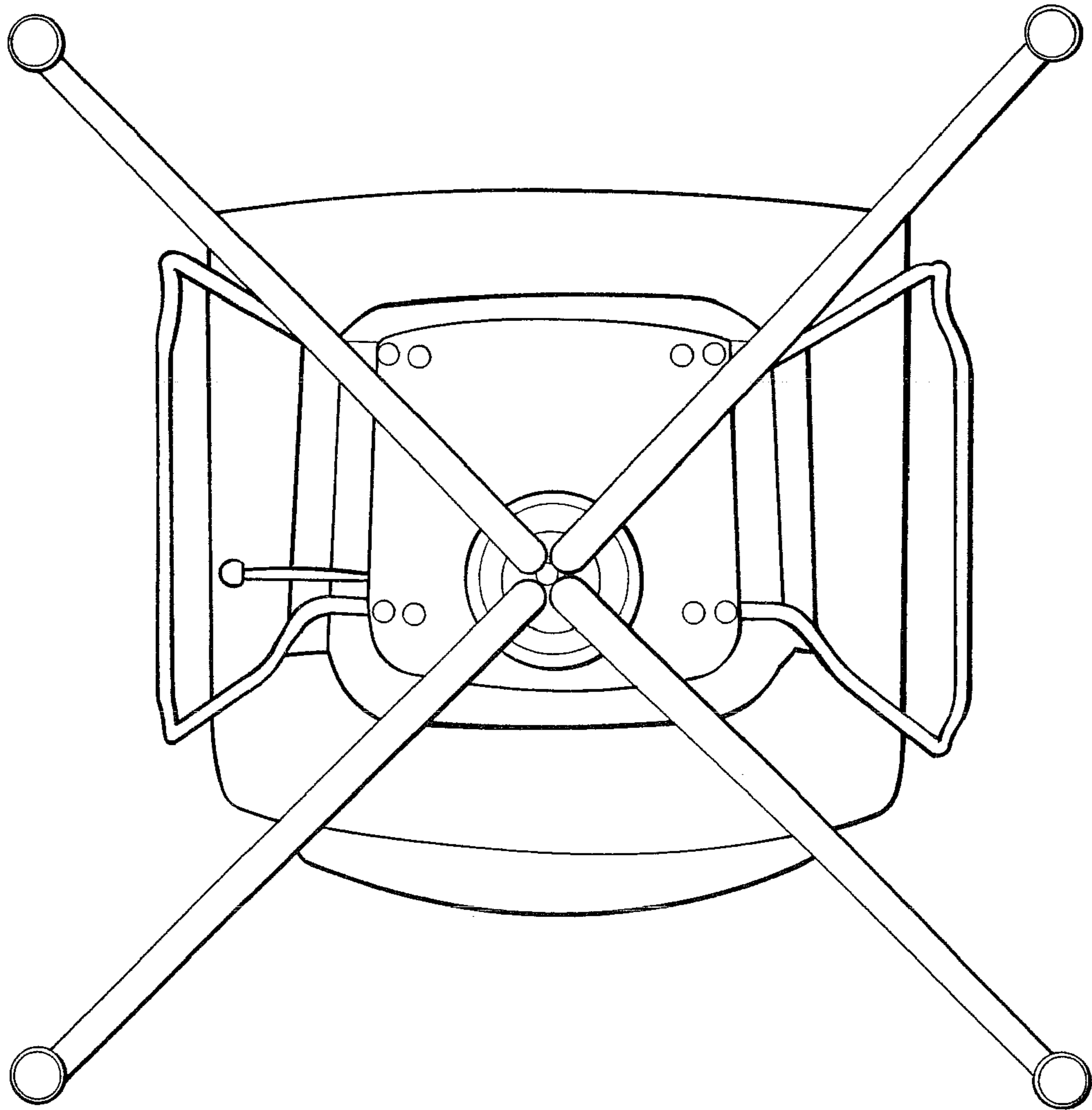


FIG. 6



*FIG. 7*