



US00D586133S

(12) **United States Design Patent**
Mayes et al.

(10) **Patent No.:** **US D586,133 S**
(45) **Date of Patent:** **** Feb. 10, 2009**

(54) **SPORTS OTTOMAN**

DESCRIPTION

(76) Inventors: **Patricia E. Mayes**, 6377 30th St.,
Detroit, MI (US) 48210; **Andrew D. Daniels**, 7261 Heron Way, Canton, MI
(US) 48187

(**) Term: **14 Years**

(21) Appl. No.: **29/308,970**

(22) Filed: **Jul. 17, 2008**

(51) **LOC (9) Cl.** **06-01**

(52) **U.S. Cl.** **D6/351**

(58) **Field of Classification Search** D6/349-353,
D6/355, 364, 484, 334, 500-502; 297/258.1,
297/259.1, 440.12, 445.1, 451.4, 461-462,
297/187

See application file for complete search history.

(56) **References Cited**

U.S. PATENT DOCUMENTS

2,625,204	A *	1/1953	Reichman	297/105
2,675,862	A *	4/1954	Eichorst	248/396
2,696,870	A *	12/1954	Mende	297/105
2,725,923	A *	12/1955	Bachrach	297/188.1
2,822,861	A *	2/1958	Parent	248/394
2,850,081	A *	9/1958	Dillon	248/397
2,877,830	A *	3/1959	Smith	297/461
D250,860	S *	1/1979	Castro	D6/336
4,212,090	A *	7/1980	Ehrlich	5/14
D270,875	S *	10/1983	Thompson	D6/349
D416,143	S *	11/1999	Ragan	D6/397
D461,061	S *	8/2002	Kent	D6/336
D468,915	S *	1/2003	Talbott et al.	D6/336

* cited by examiner

Primary Examiner—Sandra Snapp

(74) *Attorney, Agent, or Firm*—John R. Benefiel

(57) **CLAIM**

The ornamental design for a sports ottoman, as shown and described.

FIG. 1 is a perspective view of a first embodiment of a sports ottoman of the present invention, a team uniform displayed atop the ottoman in broken lines not forming a part of the design.

FIG. 2 is a top view of the embodiment shown in FIG. 1, a team uniform displayed atop the ottoman in broken lines not forming a part of the design.

FIG. 3 is a bottom view of the embodiment shown in FIGS. 1 and 2.

FIG. 4 is a side view of the embodiment shown in FIGS. 1-3, the other side views being identical.

FIG. 5 is a perspective view of a second embodiment of a sports ottoman of the present invention, a team uniform displayed atop the ottoman in broken lines not forming a part of the design.

FIG. 6 is a top view of the second embodiment shown in FIG. 5.

FIG. 7 is a bottom view of the second embodiment shown in FIGS. 5 and 6.

FIG. 8 is a perspective view of a third embodiment of a sports ottoman of the present invention, a team uniform displayed atop the ottoman in broken lines not forming a part of the design.

FIG. 9 is a pictorial view of a third embodiment of a sports ottoman according to the invention, a team uniform displayed atop the ottoman in broken lines not forming a part of the design.

FIG. 10 is a top view of the third embodiment shown in FIG. 9 a team uniform displayed atop the ottoman in broken lines not forming a part of the design.

FIG. 11 is a bottom view of the third embodiment shown in FIGS. 9 and 10.

FIG. 12 is a perspective view of a fourth embodiment of a sports ottoman of the present invention, a team uniform displayed atop the ottoman in broken lines not forming a part of the design.

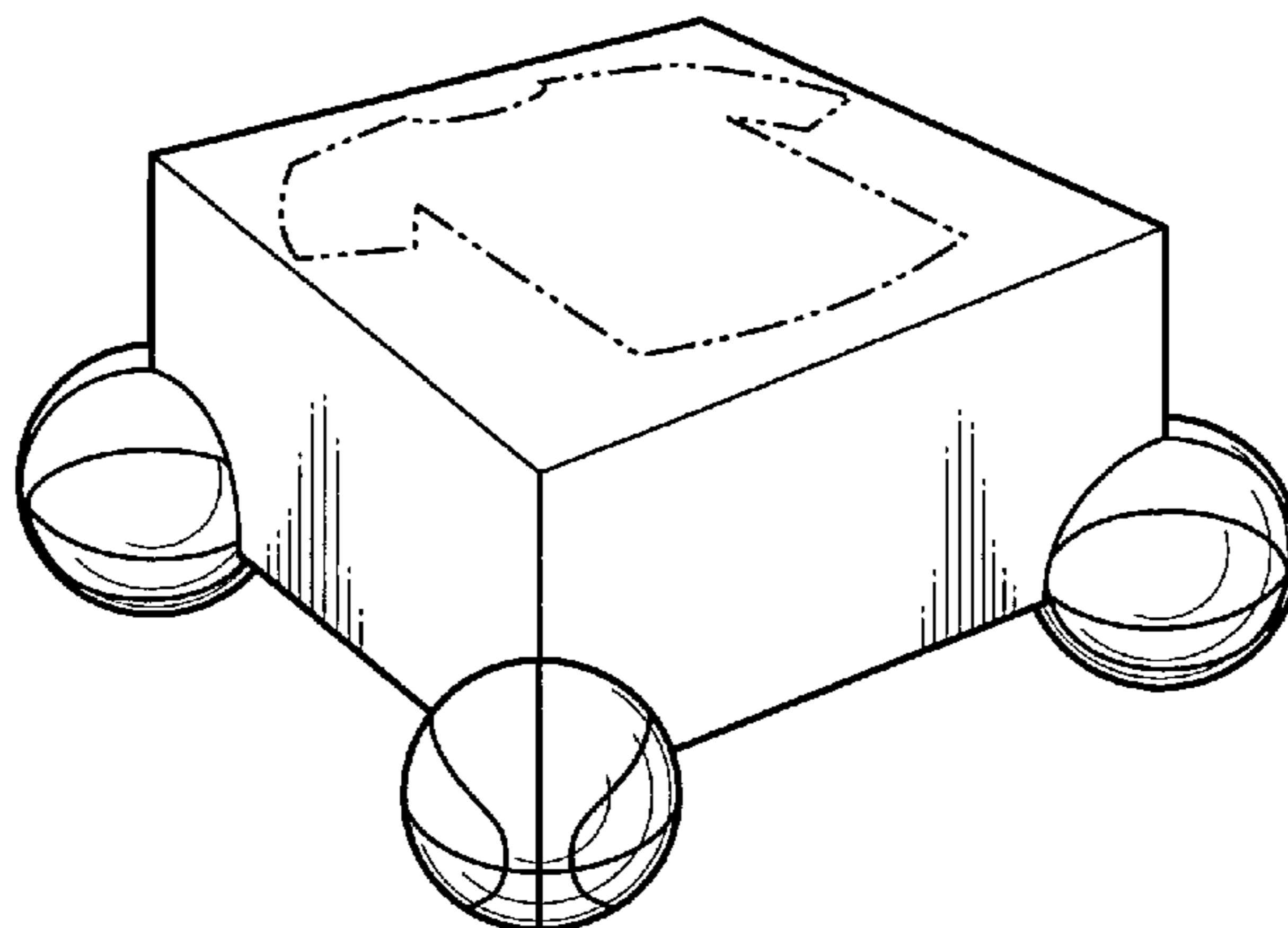


FIG. **13** is a pictorial view of a fourth embodiment of a sports ottoman according to the invention, a team uniform displayed atop the ottoman in broken lines not forming a part of the design.

FIG. **14** is a top view of the fourth embodiment shown in FIG. **13**

FIG. **15** is a bottom view of the fourth embodiment shown in FIGS. **13** and **14**.

FIG. **16** is a side view of the fourth embodiment shown in FIGS. **13–15**, the other side views being identical.

FIG. **17** is a perspective view of a fifth embodiment of a sports ottoman of the present invention, a team uniform displayed atop the ottoman in broken lines not forming a part of the design.

FIG. **18** is a top view of the fifth embodiment shown in FIG. **17**, a team uniform displayed atop the ottoman in broken lines not forming a part of the design.

FIG. **19** is a bottom view of the fifth embodiment shown in FIGS. **17** and **18**.

FIG. **20** is a side view of the fifth embodiment shown in FIGS. **17–19**, the other side views being identical.

FIG. **21** is a perspective view of a sixth embodiment of a sports ottoman of the present invention, a team uniform displayed atop the ottoman in broken lines not forming a part of the design.

FIG. **22** is a top view of the sixth embodiment shown in FIG. **21**, a team uniform displayed atop the ottoman in broken lines not forming a part of the design.

FIG. **23** is a bottom view of the sixth embodiment shown in FIGS. **21** and **22**; and,

FIG. **24** is a side view of the sixth embodiment shown in FIGS. **21–23**, the other side views being identical.

1 Claim, 6 Drawing Sheets

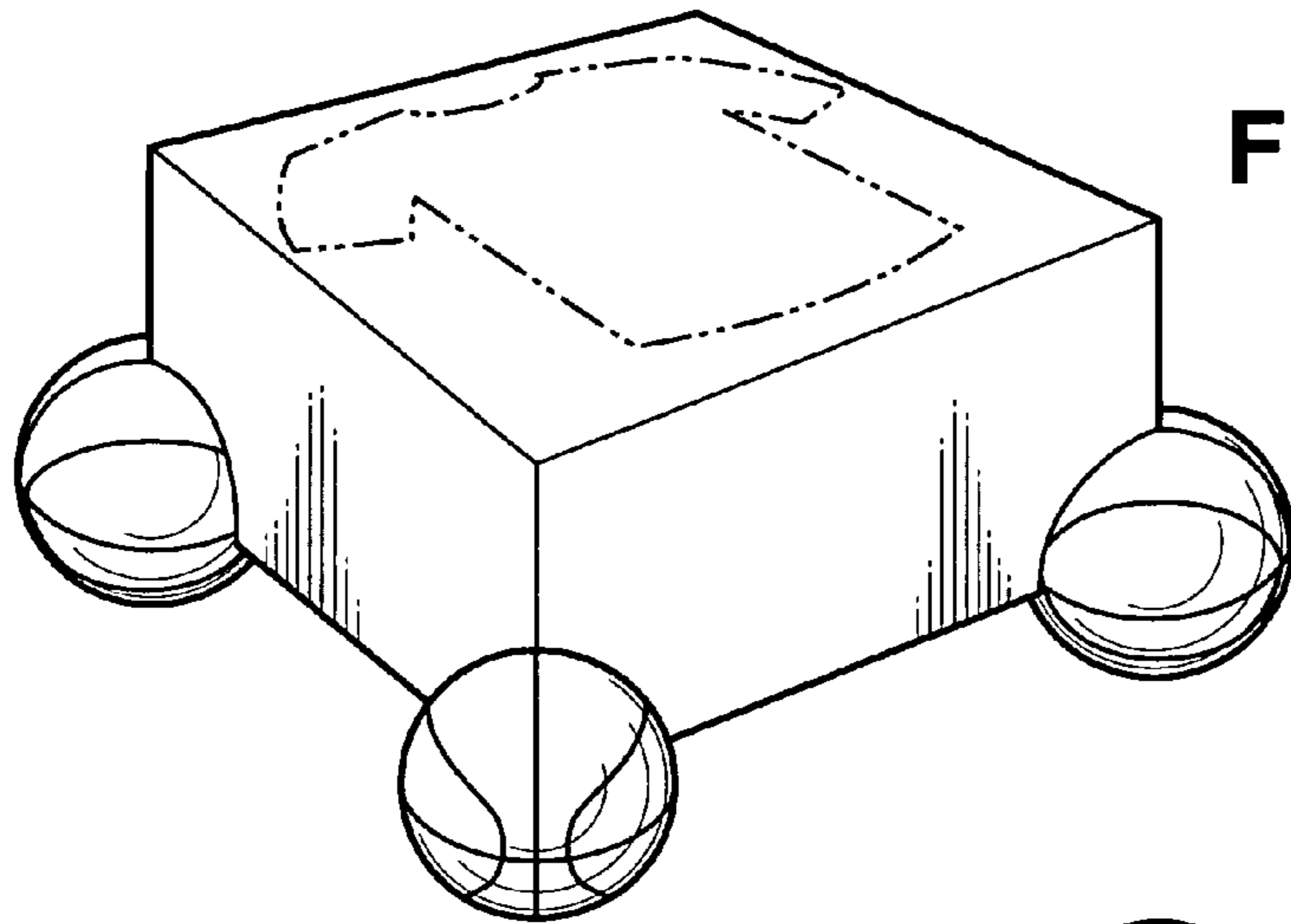


FIG - 1

FIG - 2

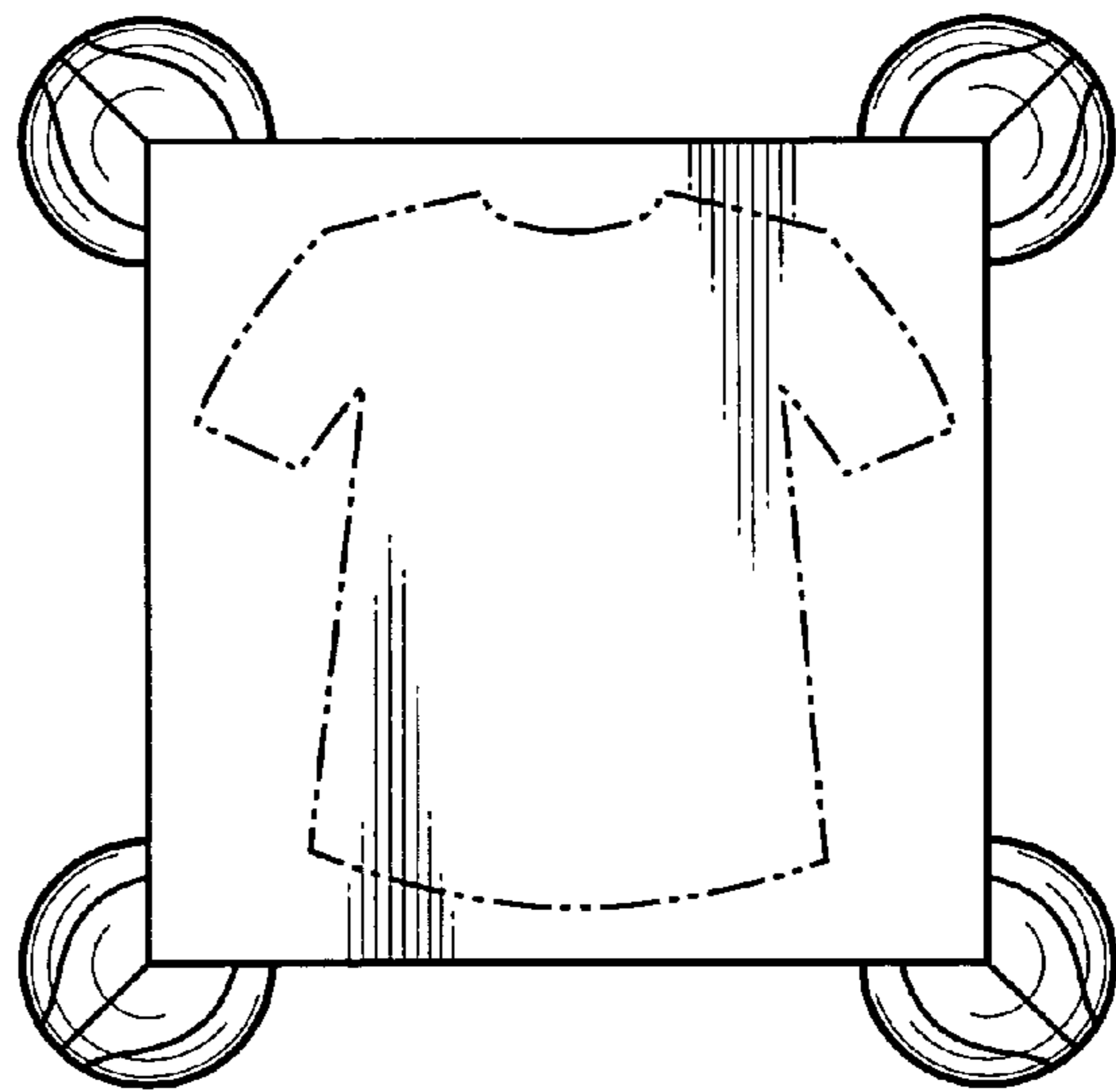


FIG - 3

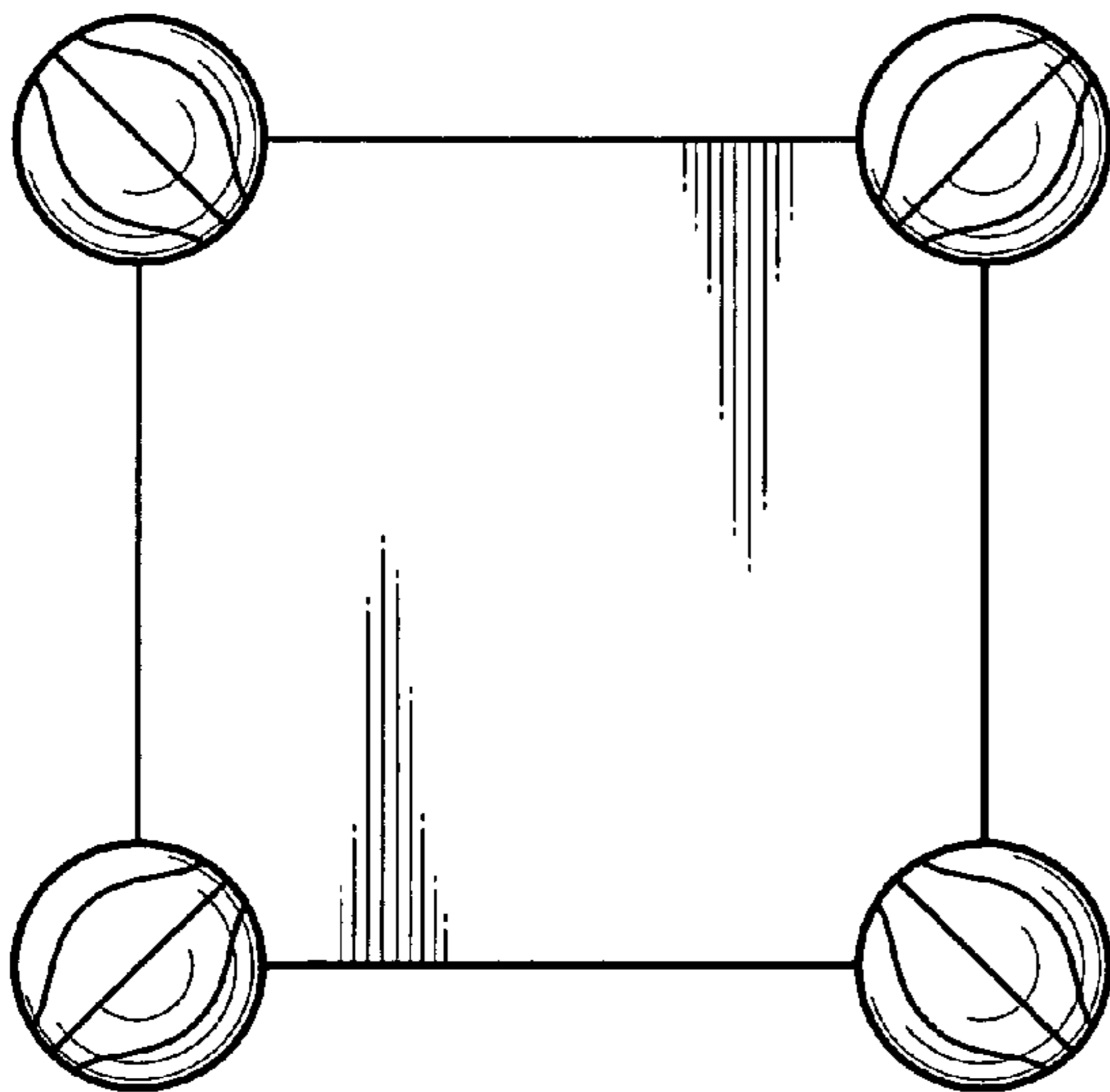
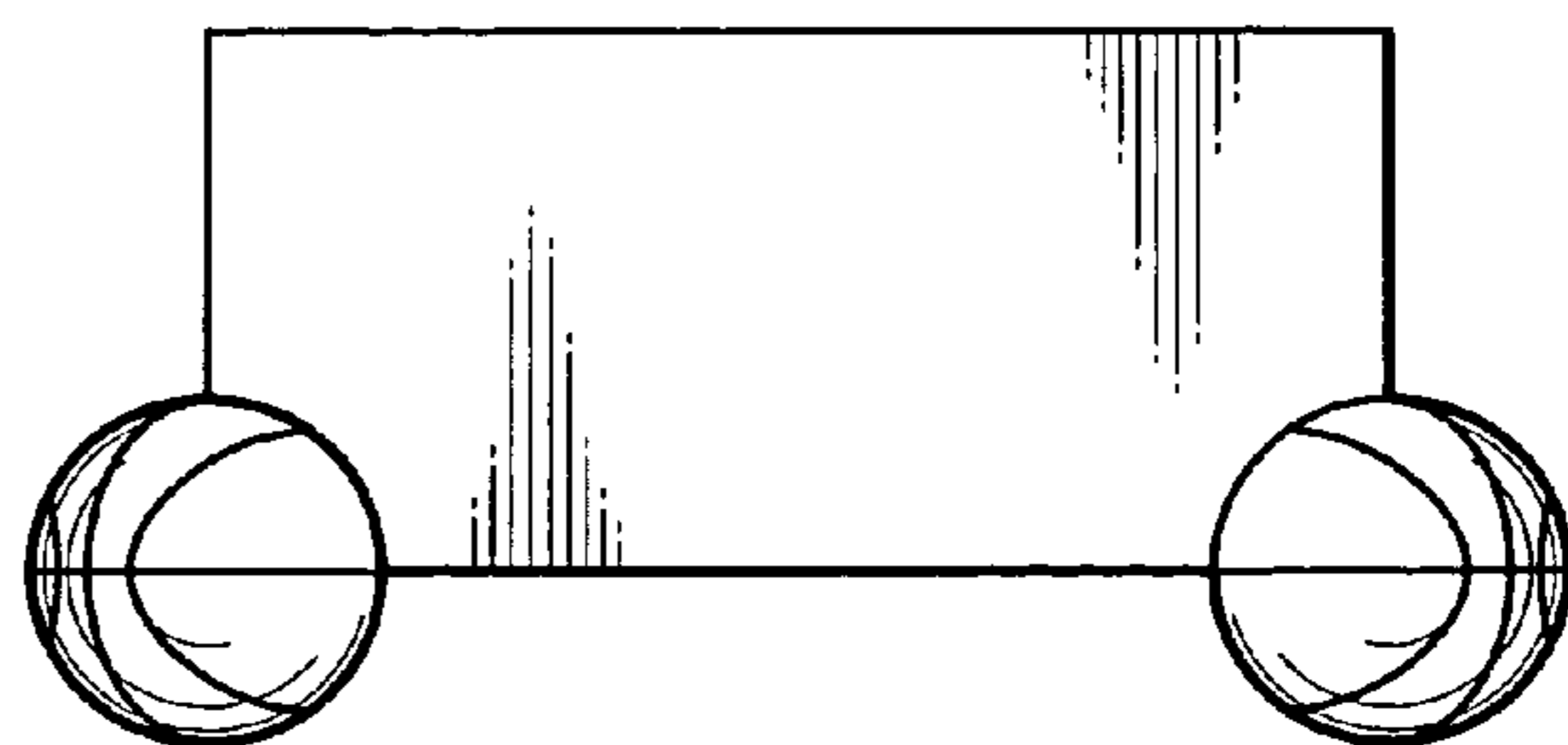


FIG - 4



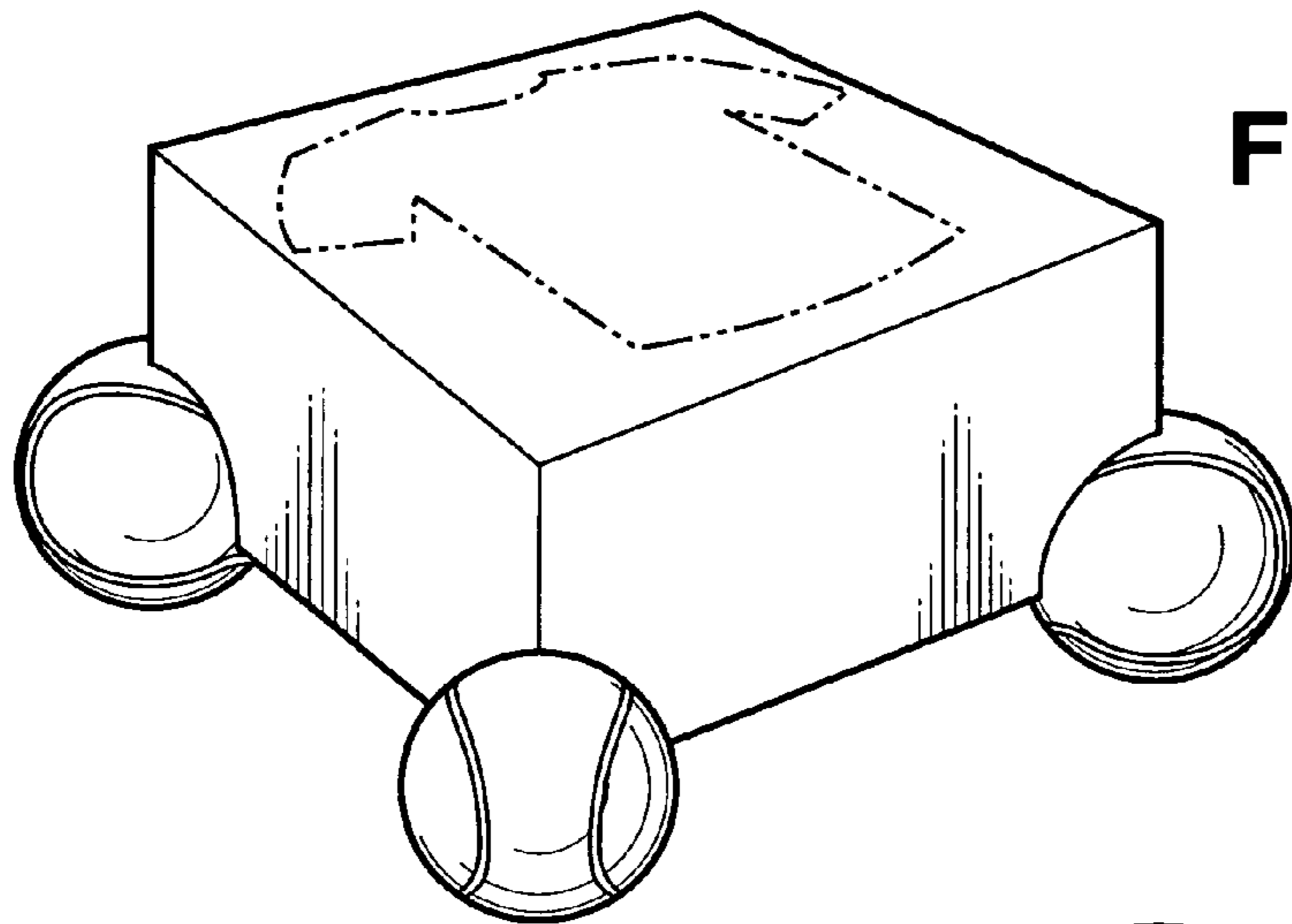


FIG - 5

FIG - 6

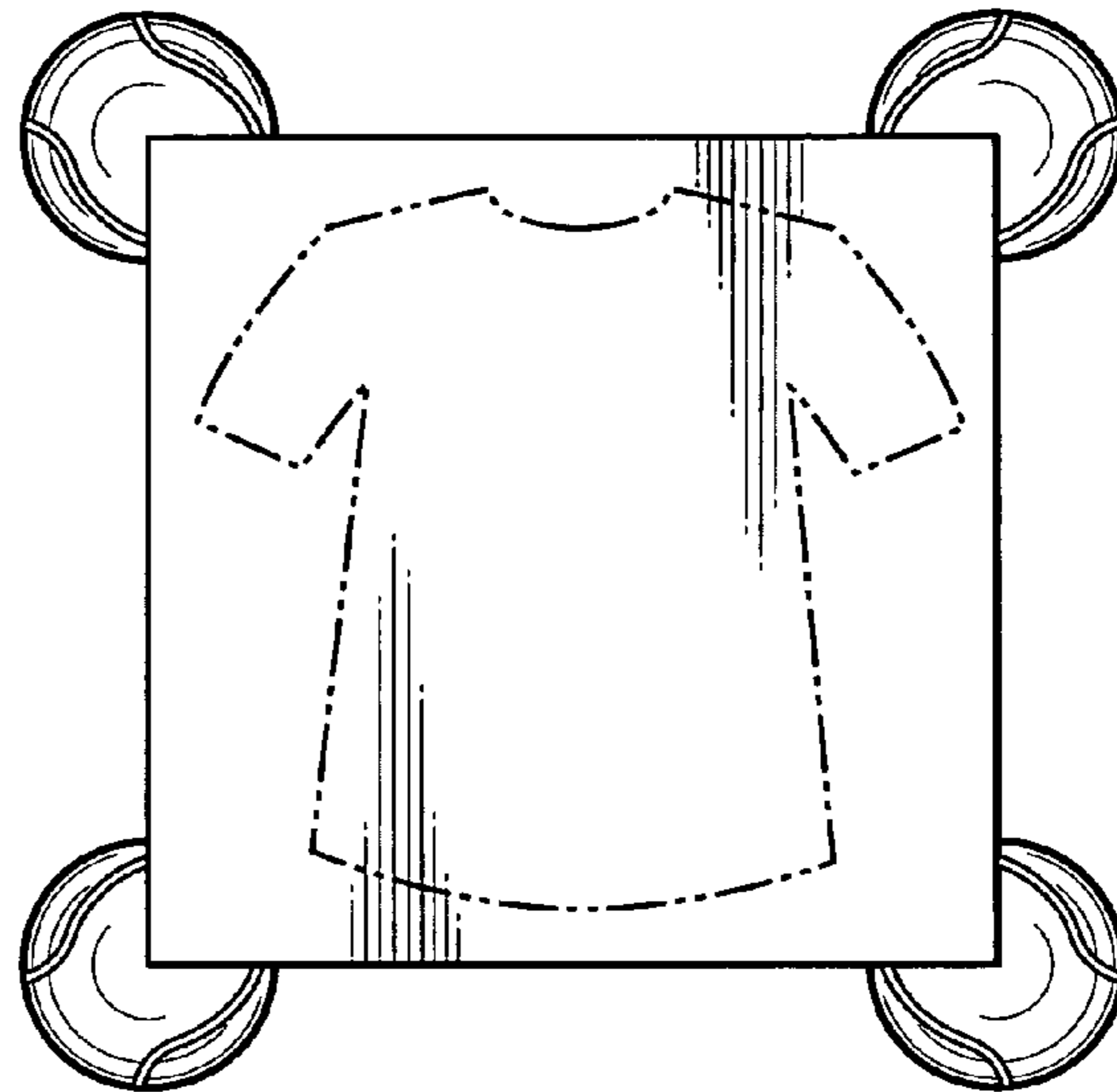


FIG - 7

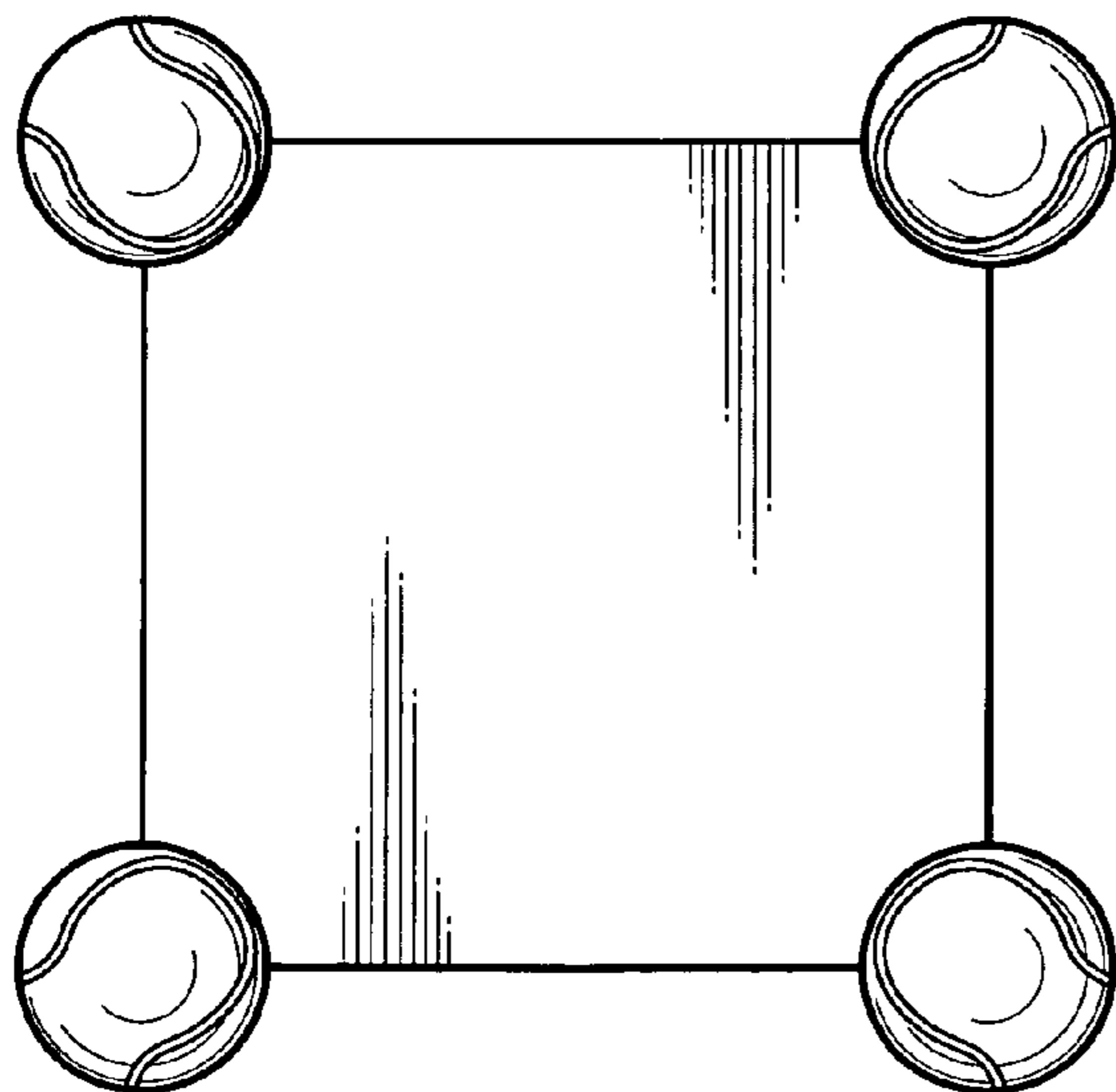
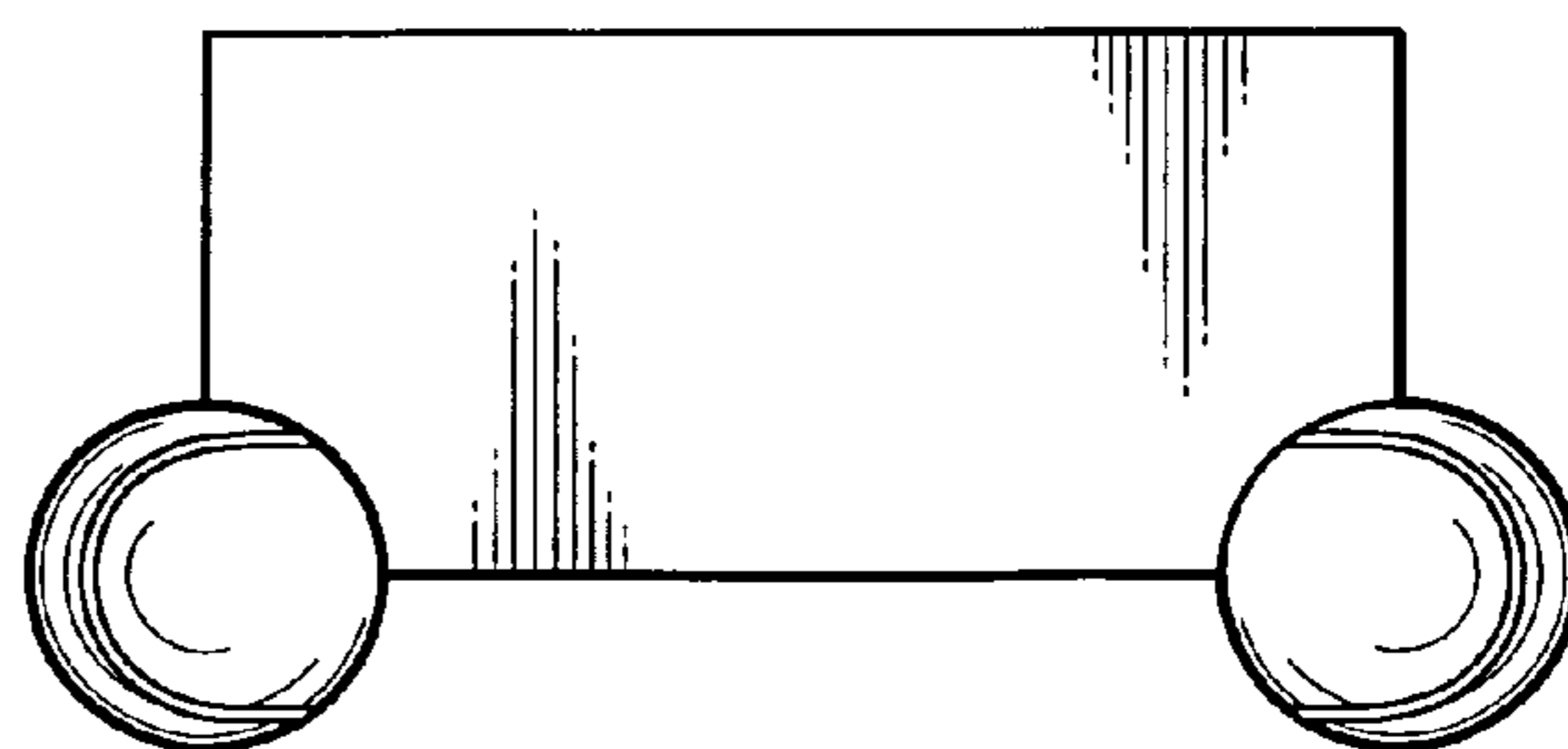


FIG - 8



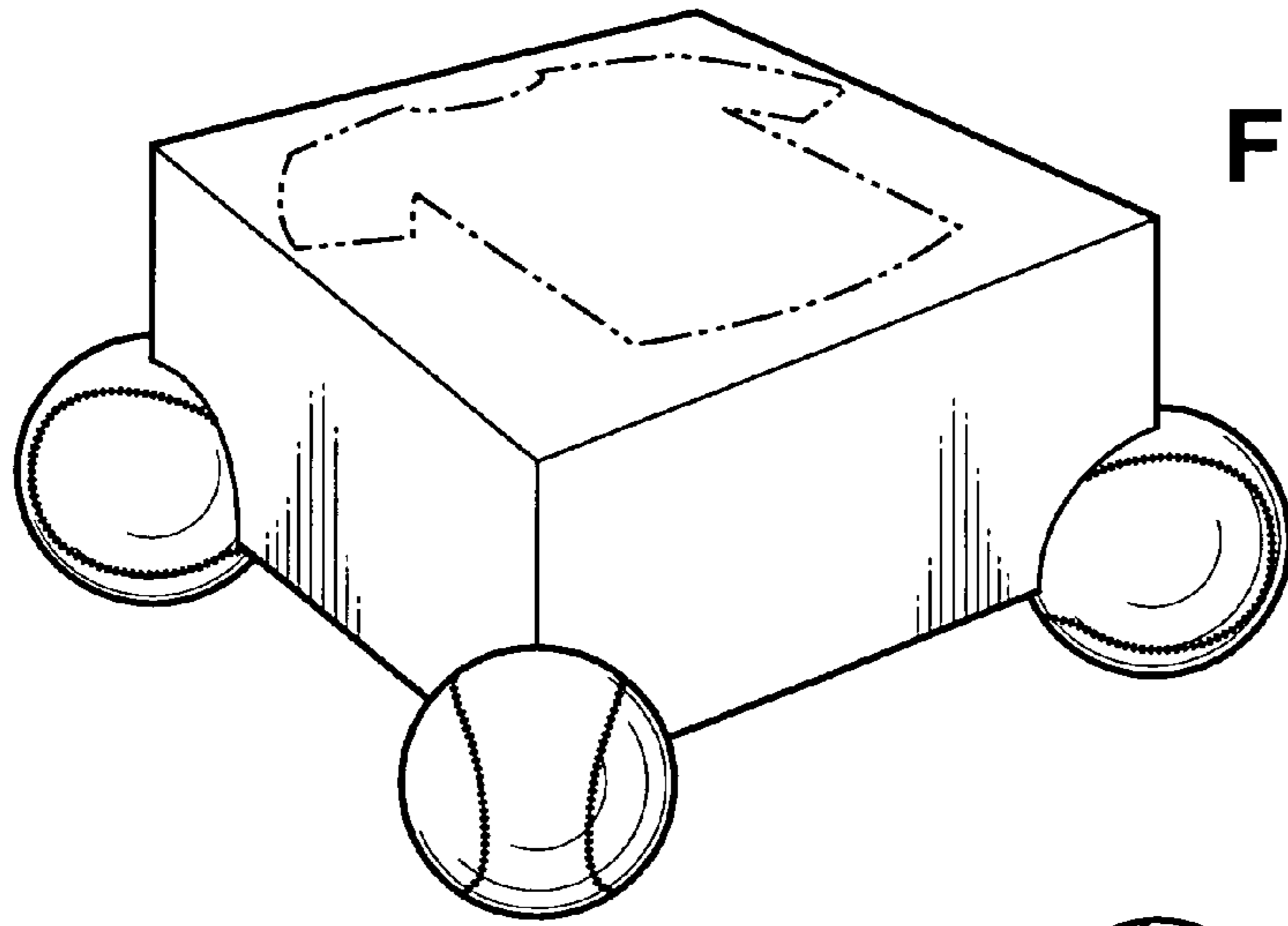


FIG - 9

FIG - 10

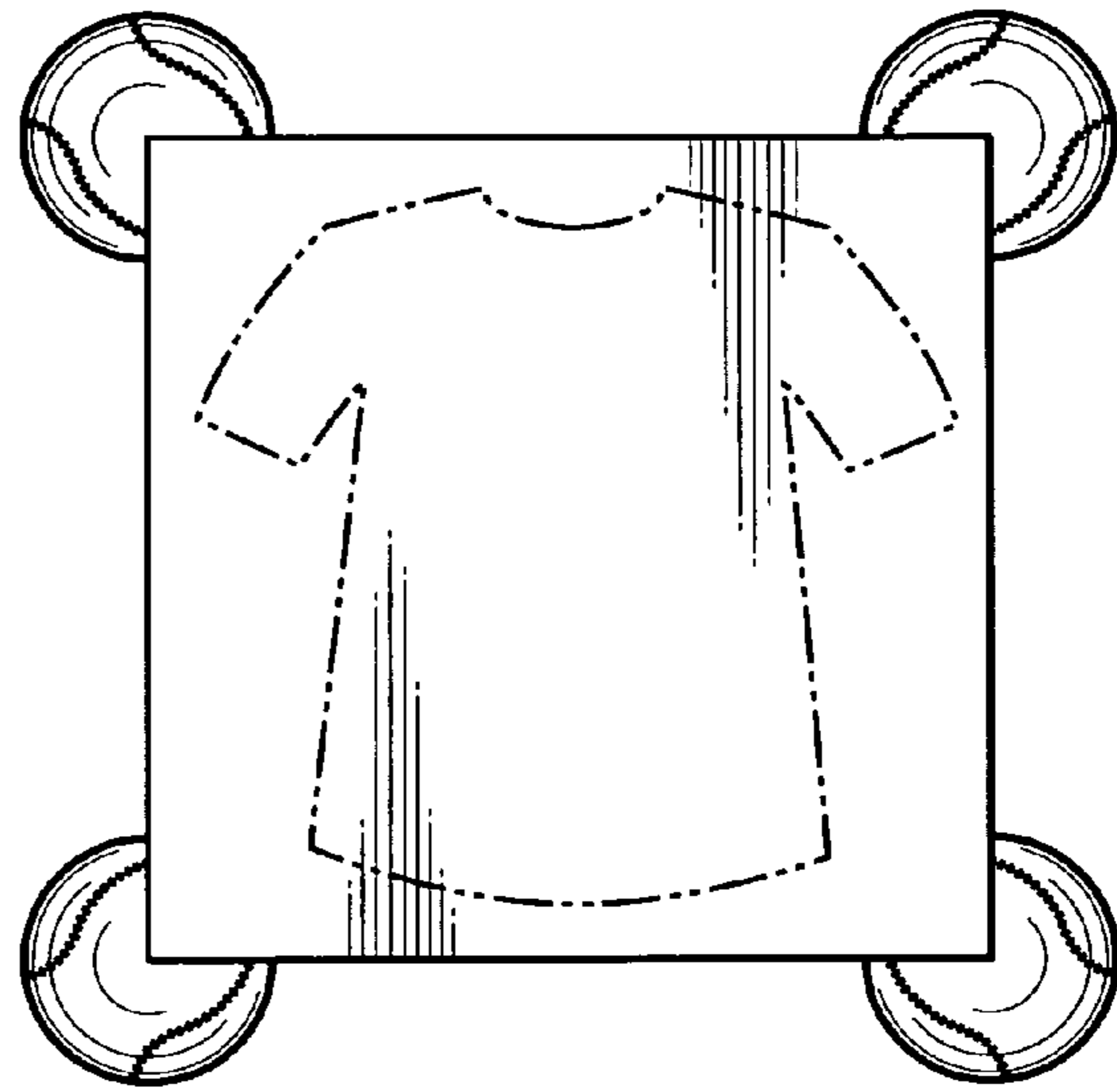


FIG - 11

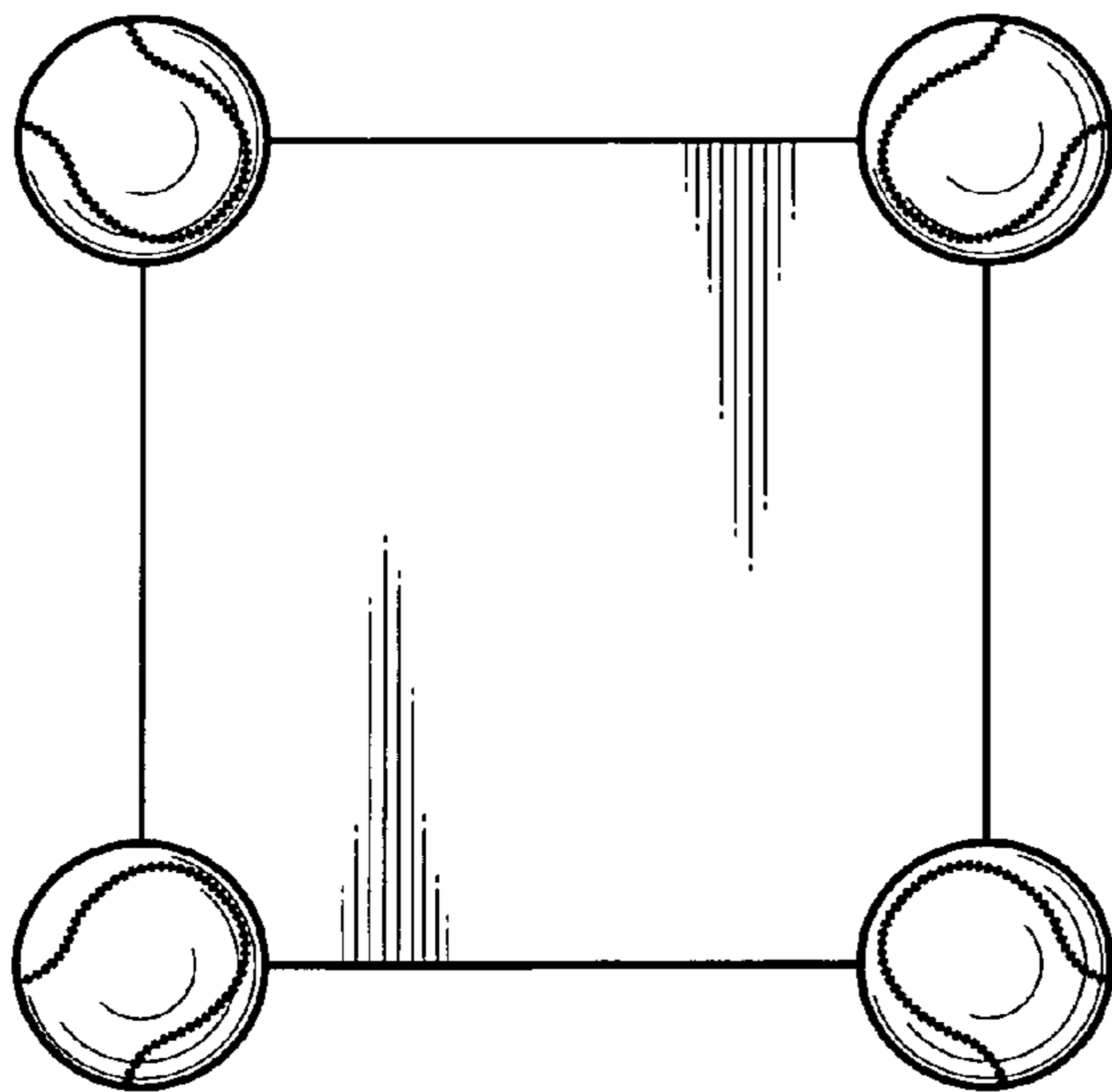
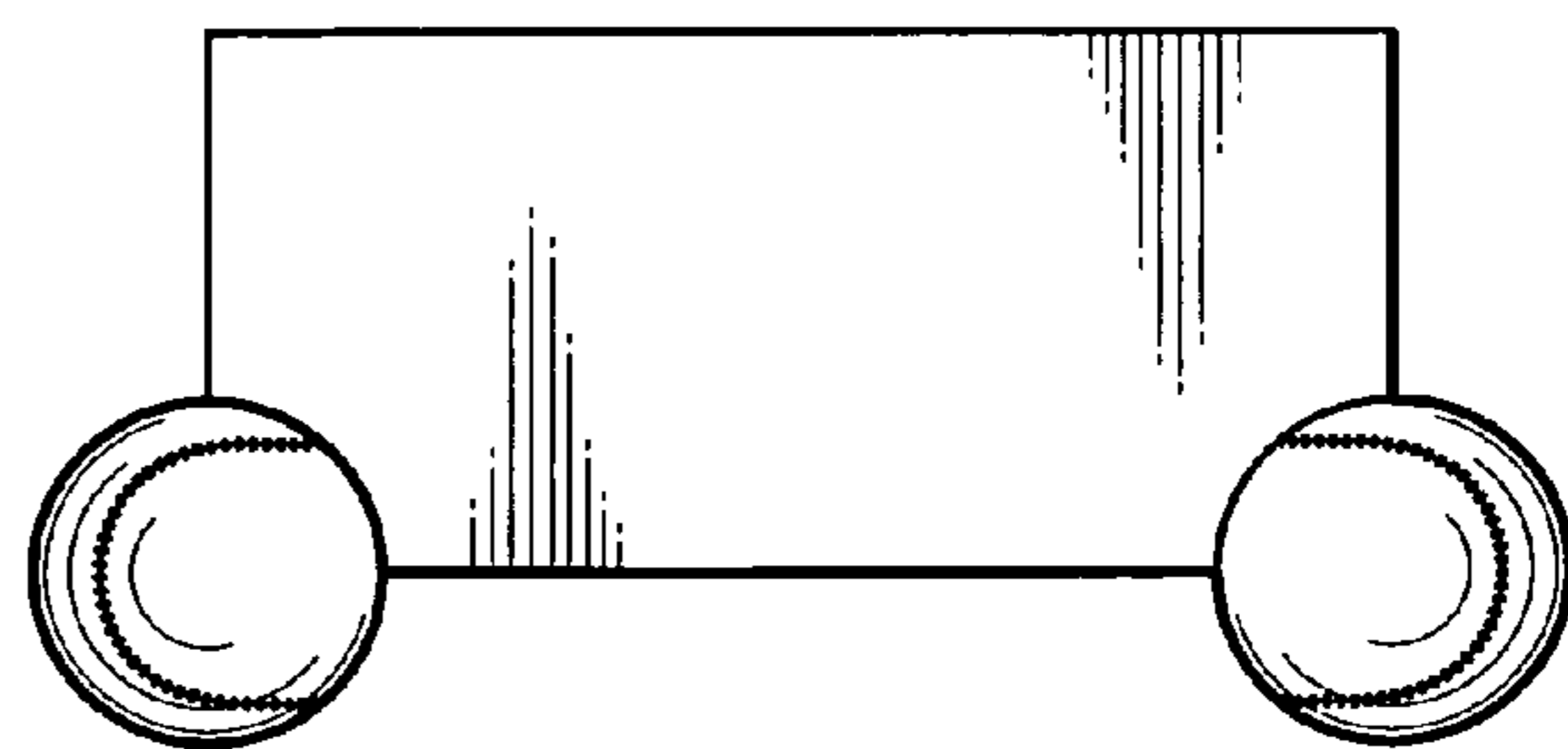


FIG - 12



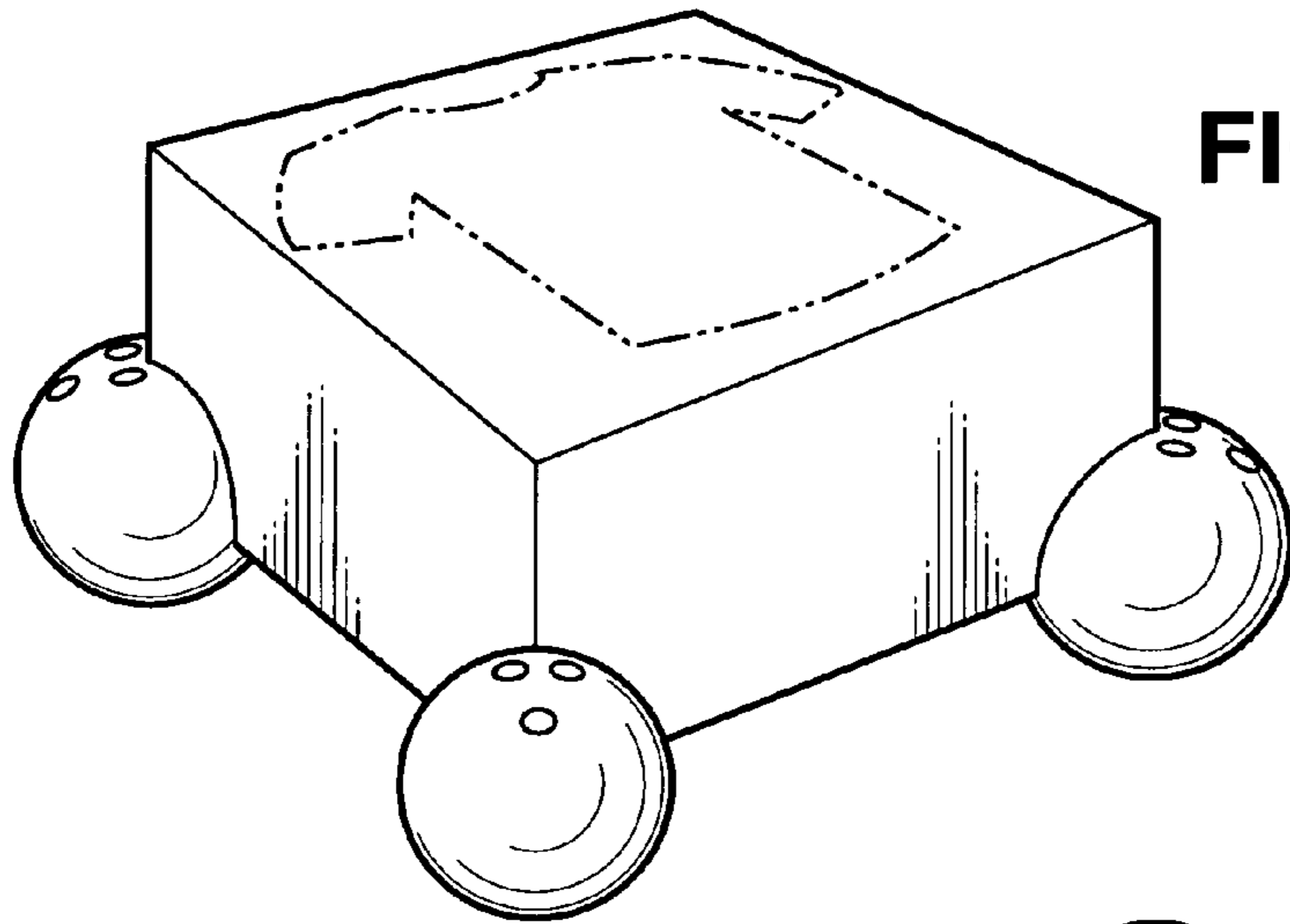


FIG - 13

FIG - 14

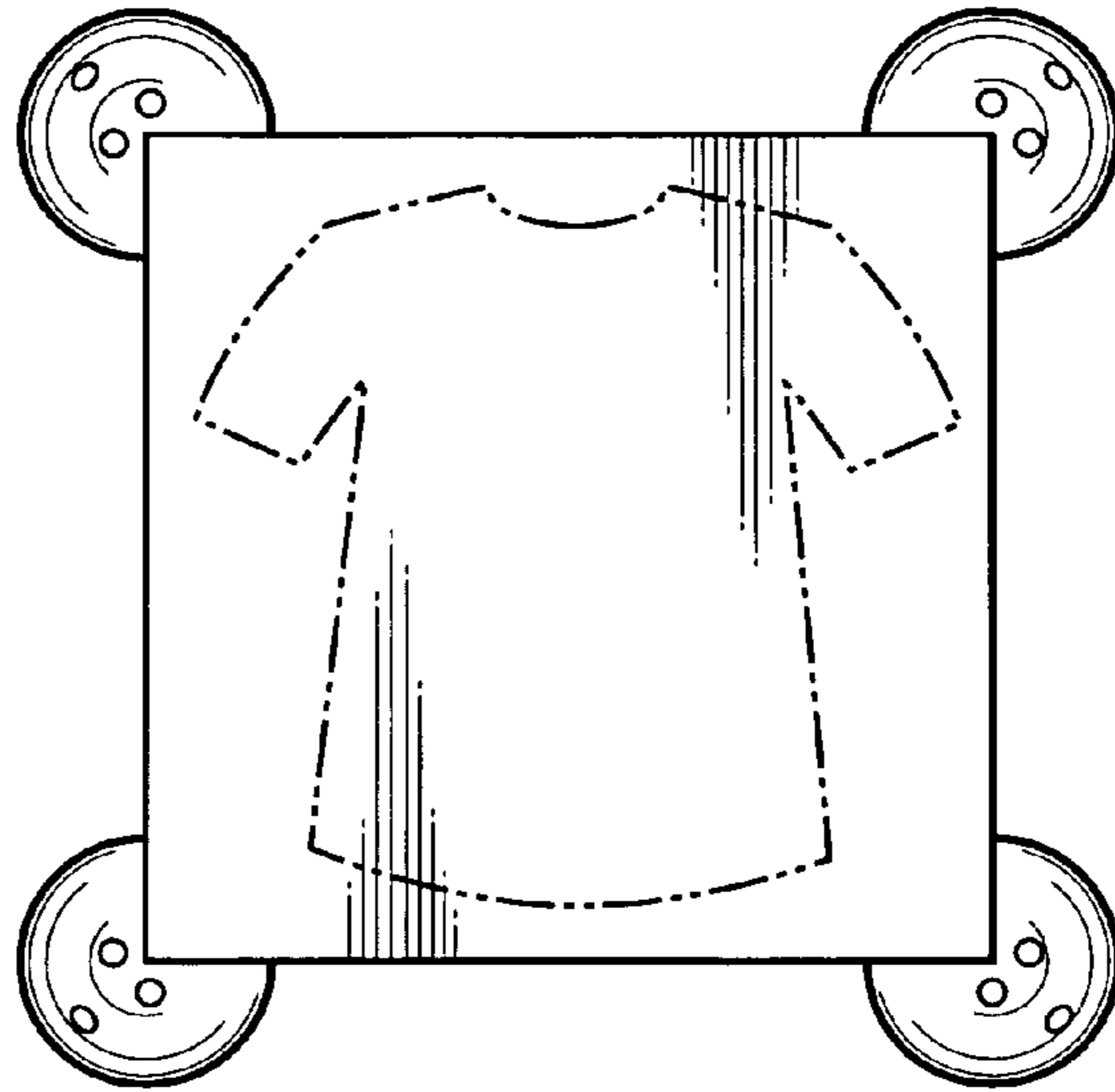


FIG - 15

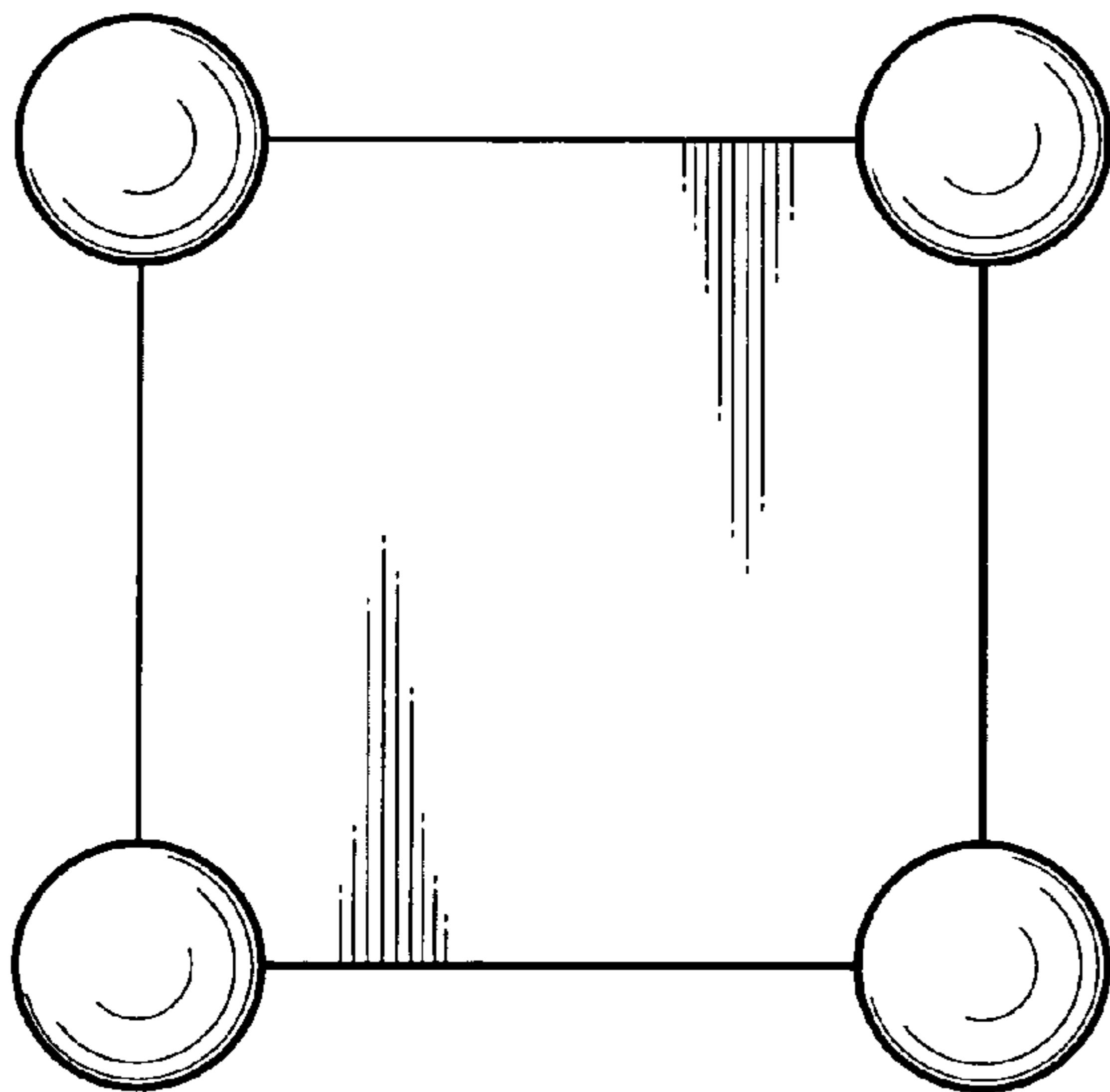
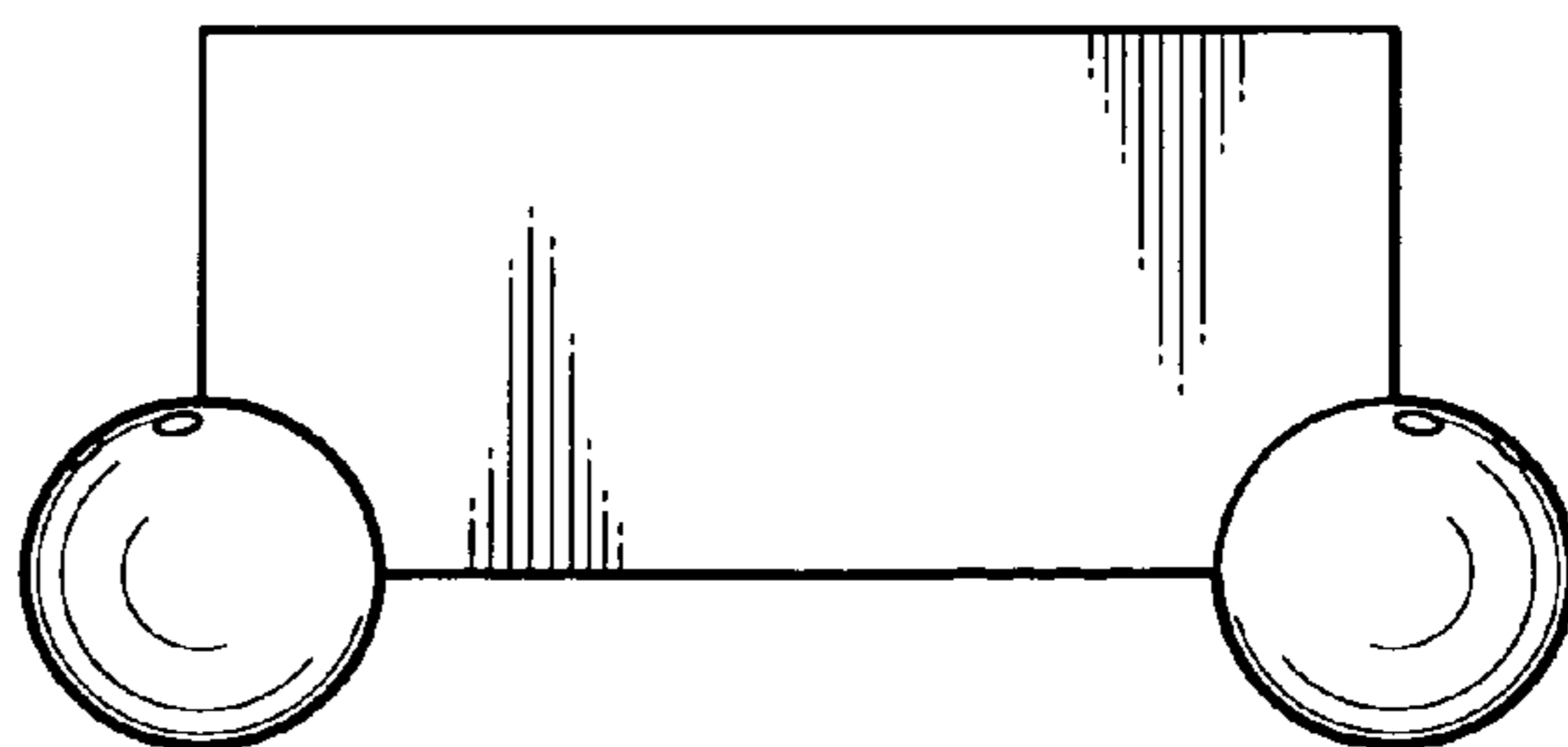


FIG - 16



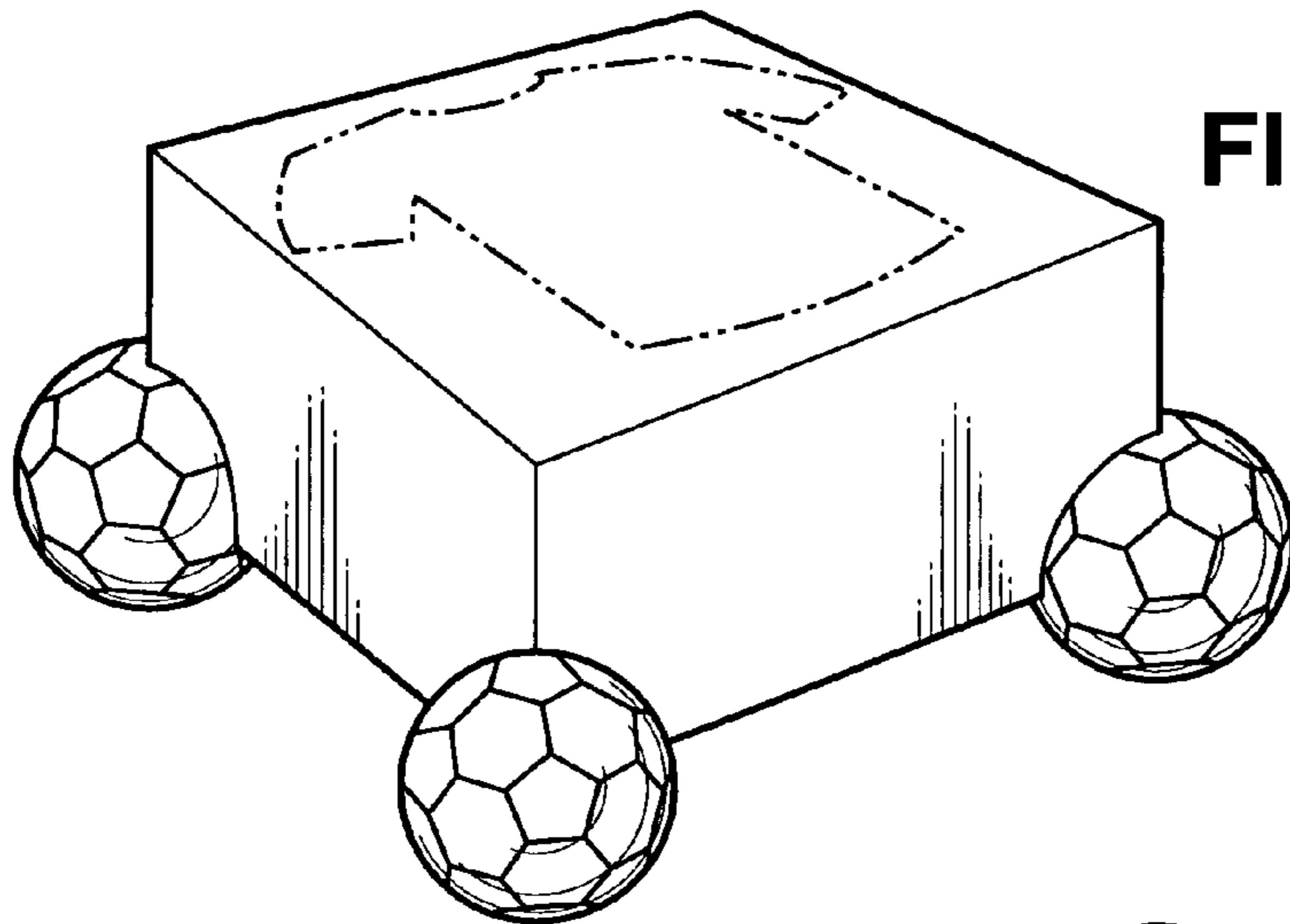


FIG - 17

FIG - 18

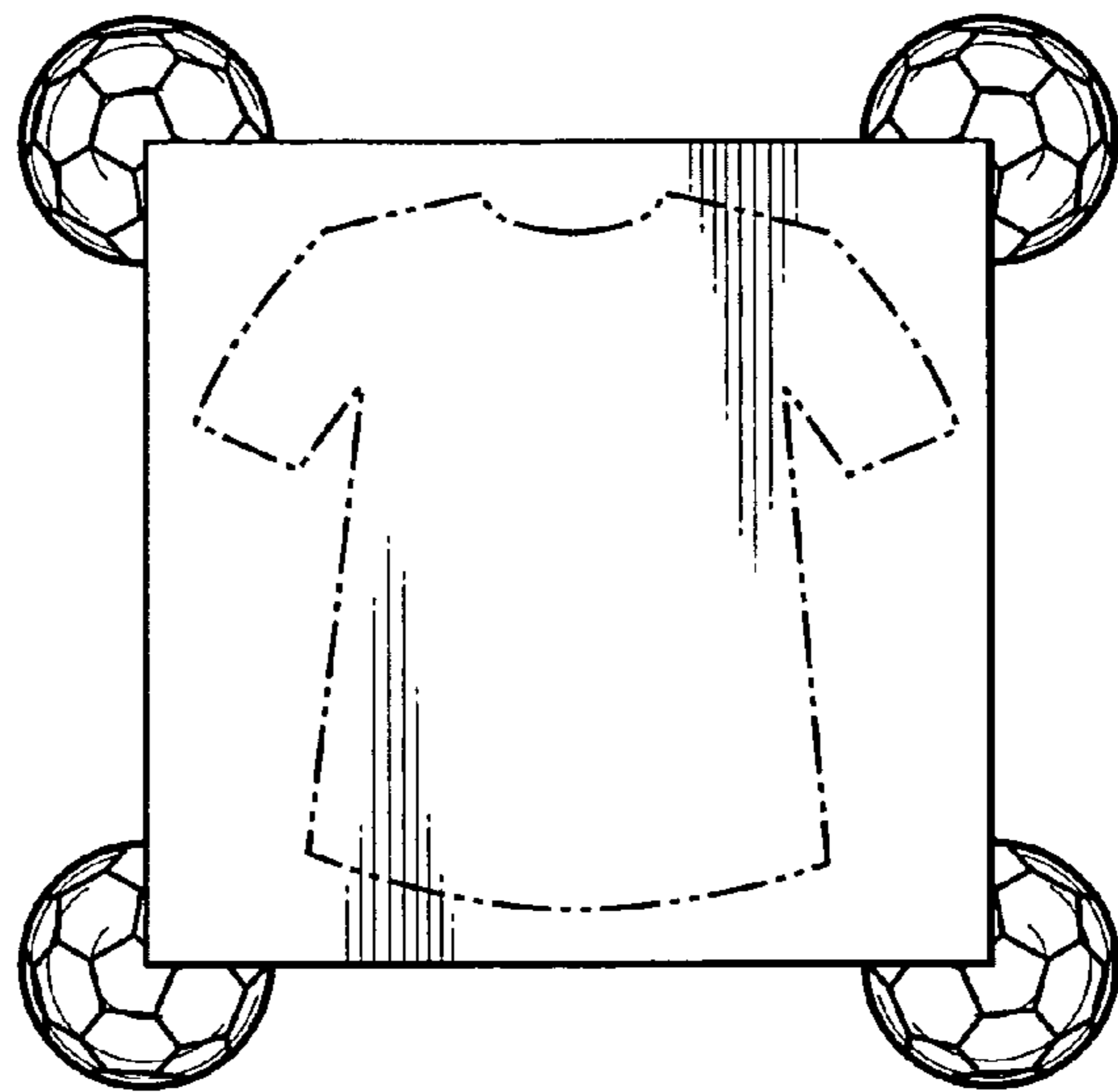


FIG - 19

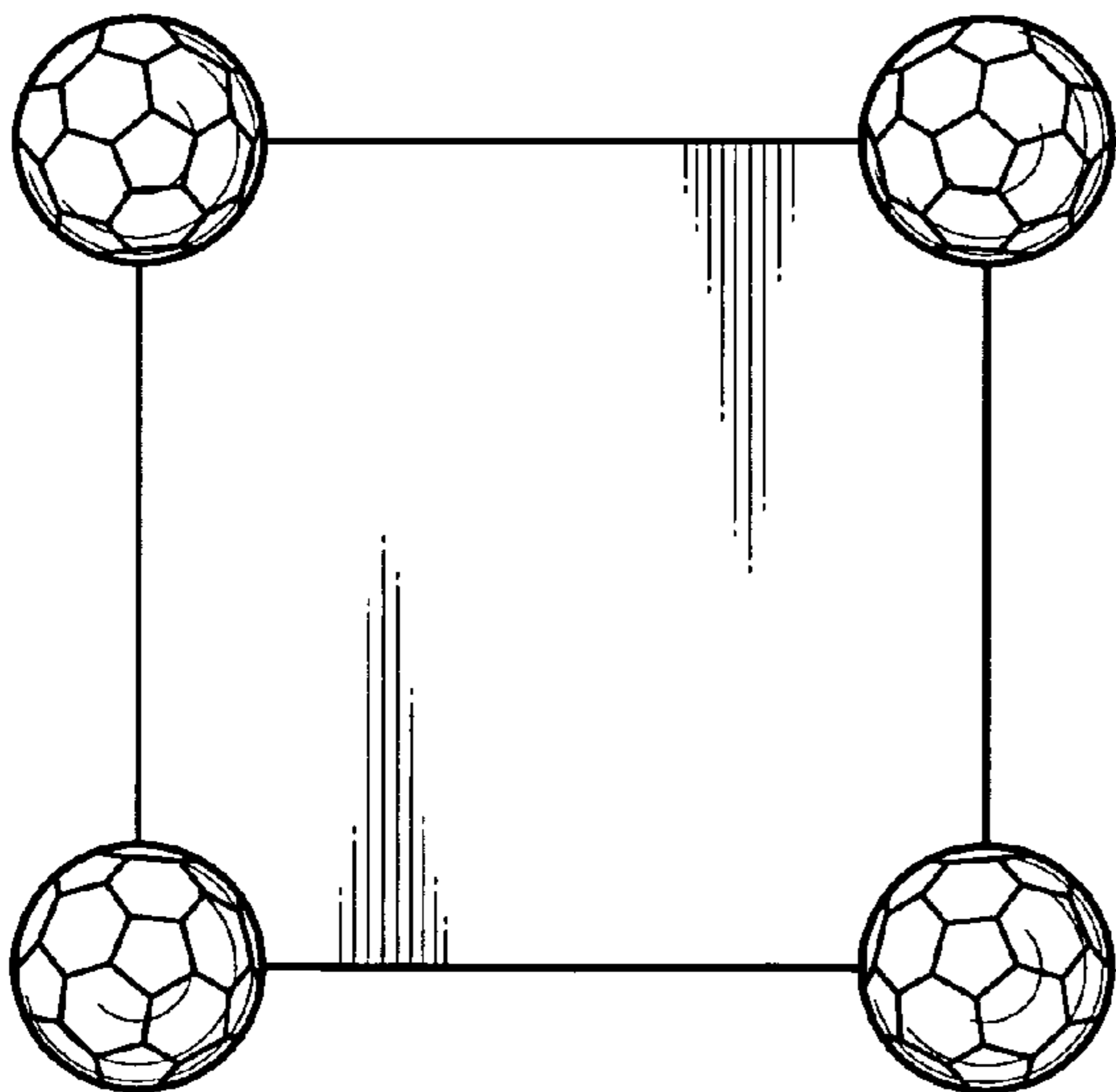
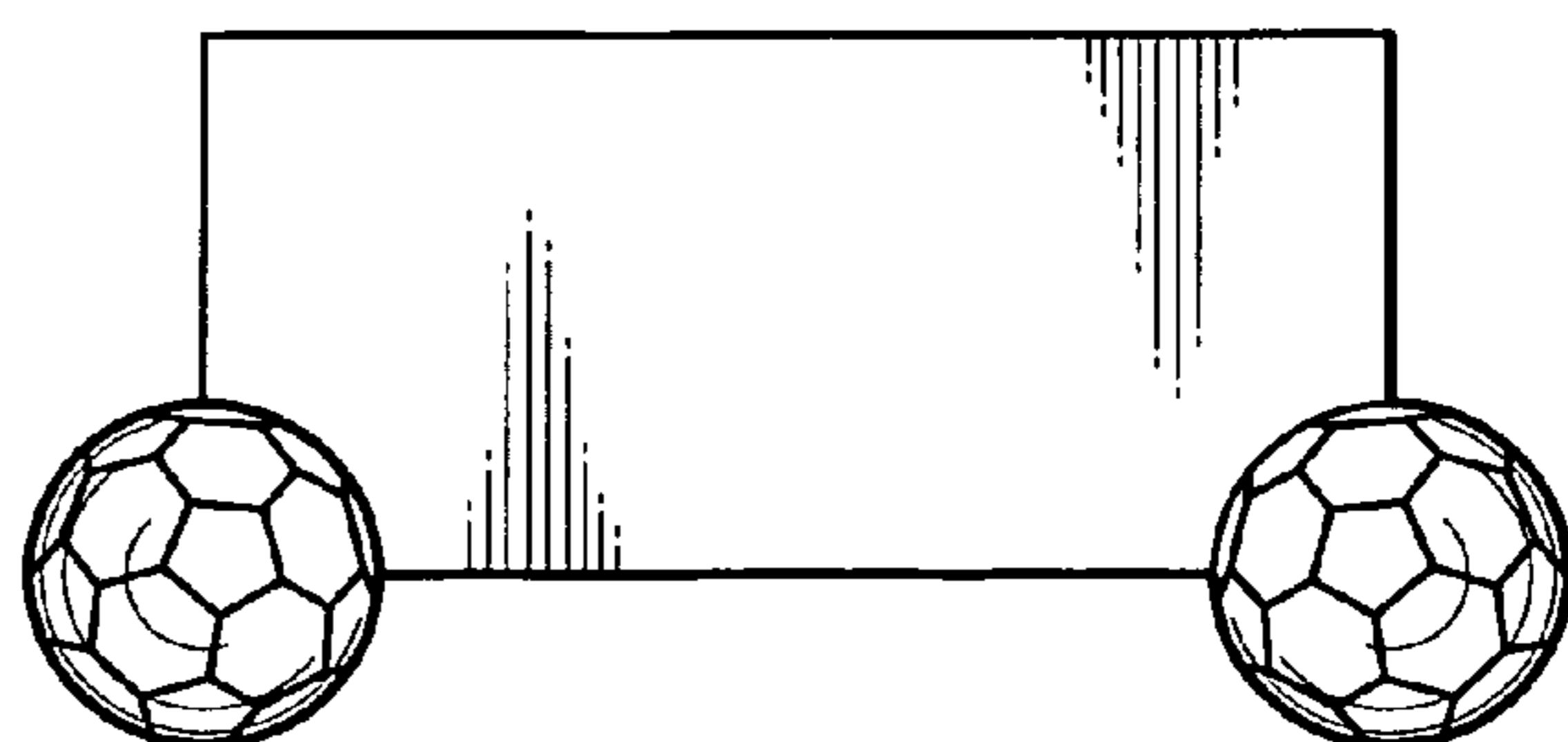


FIG - 20



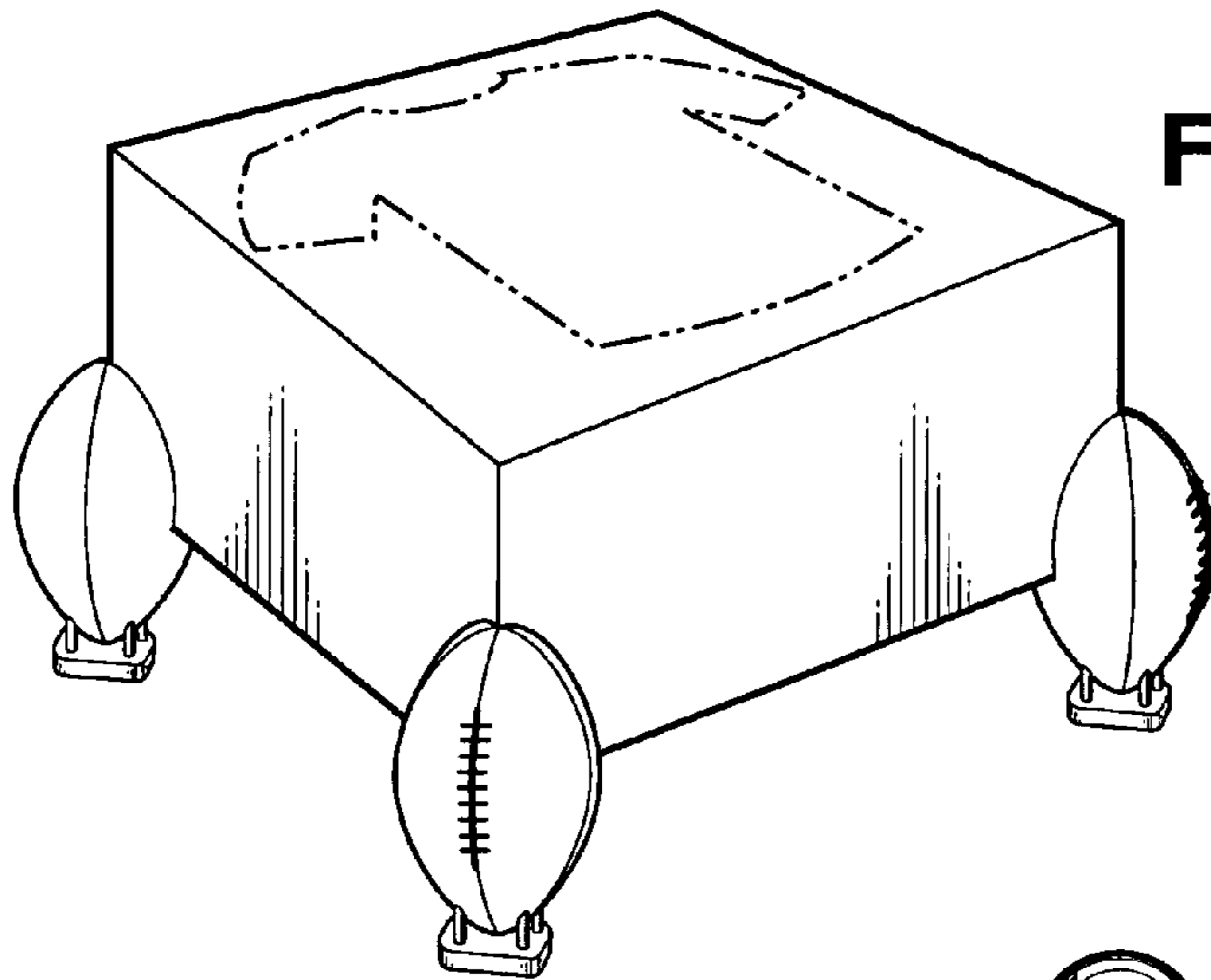


FIG - 21

FIG - 22

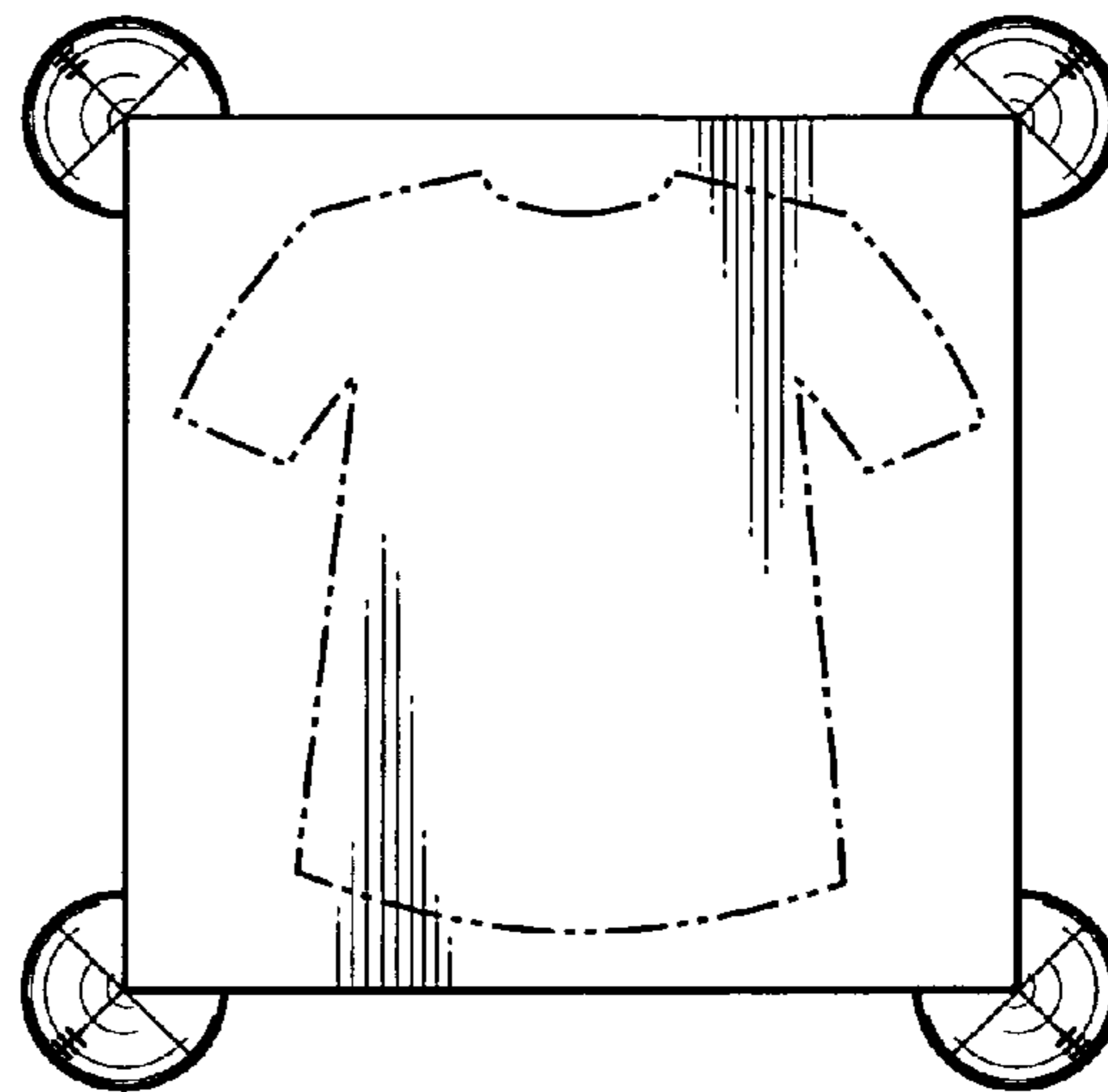


FIG - 23

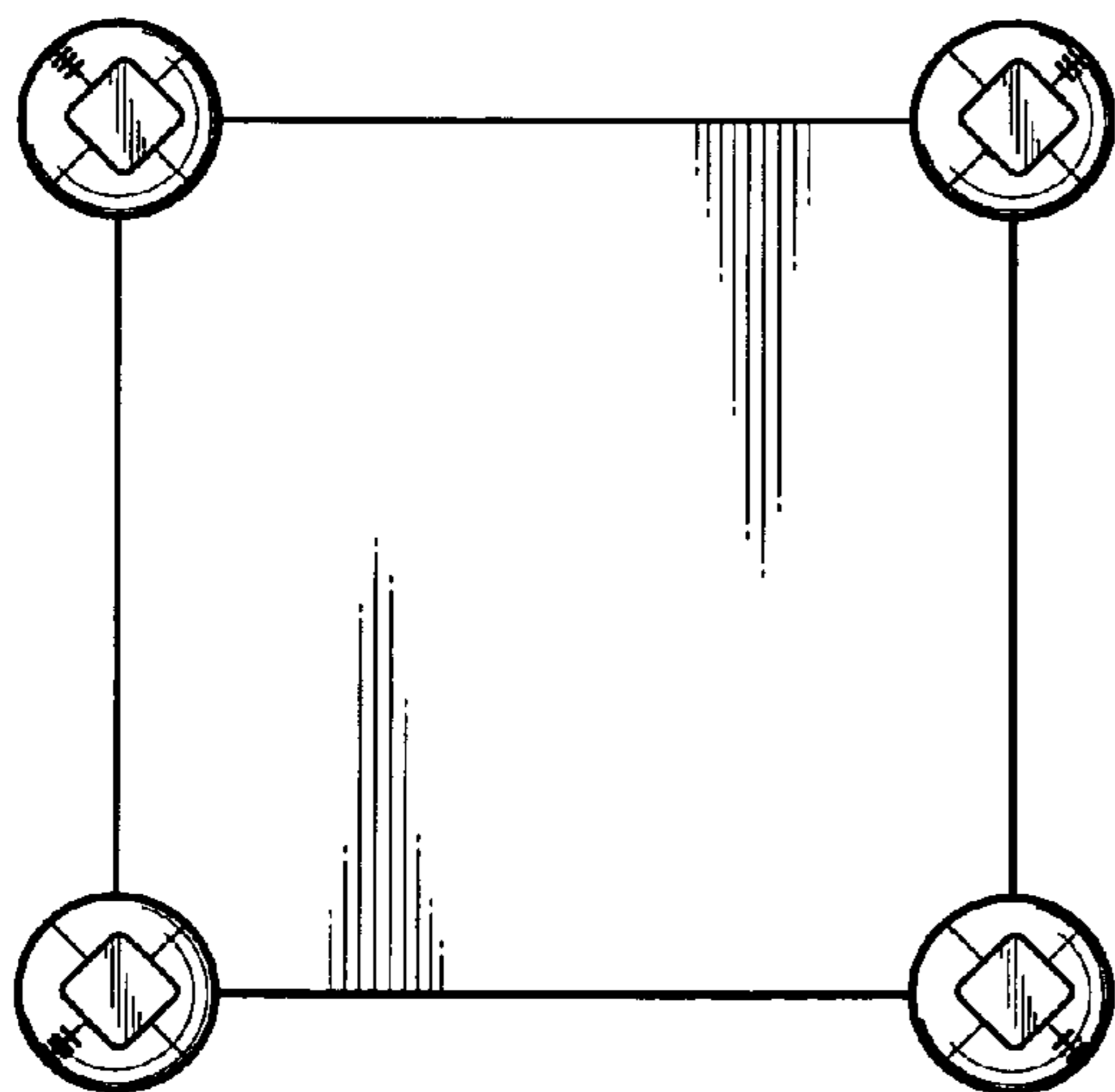


FIG - 24

