



US00D586132S

(12) **United States Design Patent**
Liuhong et al.

(10) **Patent No.:** **US D586,132 S**
(45) **Date of Patent:** **** Feb. 10, 2009**

(54) **TOOL CHEST CREEPER SEAT**

D530,108 S * 10/2006 Whiteside et al. D6/349
D555,920 S * 11/2007 Whiteside et al. D6/349

(75) Inventors: **Ding Liuhong**, Taixing (CN); **Xie Cuibin**, Taixing (CN)

* cited by examiner

(73) Assignee: **MVP (HK) Industries, Ltd.**, Hong Kong (CN)

Primary Examiner—Sandra Snapp

(74) *Attorney, Agent, or Firm*—Lathrop & Gage LLP

(**) Term: **14 Years**

(57) **CLAIM**

(21) Appl. No.: **29/297,468**

The ornamental design for a tool chest creeper seat, as shown and described.

(22) Filed: **Nov. 12, 2007**

DESCRIPTION

(51) **LOC (9) Cl.** **06-01**

FIG. 1 is a rear perspective view of the tool chest creeper seat;

(52) **U.S. Cl.** **D6/335**

FIG. 2 is a rear side view of the tool chest creeper seat, shown in FIG. 1;

(58) **Field of Classification Search** D6/334–338,
D6/349, 355, 361, 368–370, 376, 379–381,
D6/492, 500–502; 297/16.1, 42, 94, 135,
297/175, 232, 233, 350, 351, 445.1, 448.1,
297/448.2, 451.9; 5/12.1, 12.2

FIG. 3 is a top view of the tool chest creeper seat, shown in FIG. 1;

See application file for complete search history.

FIG. 4 is a right side view of the tool chest creeper seat, shown in FIG. 1;

(56) **References Cited**

FIG. 5 is a left side view of the tool chest creeper seat, shown in FIG. 1;

U.S. PATENT DOCUMENTS

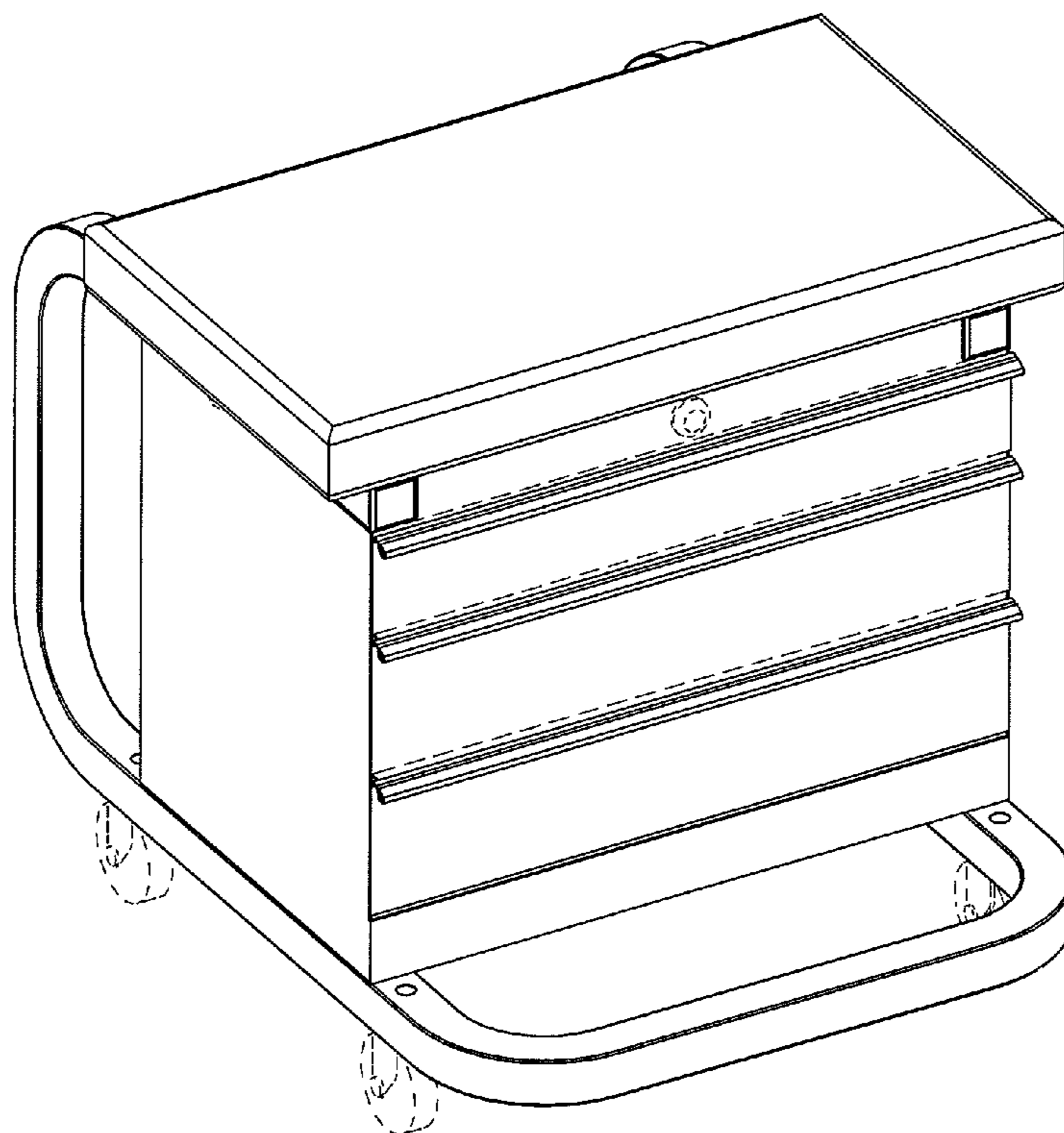
- D351,508 S * 10/1994 Bonazza D6/336
- D399,626 S * 10/1998 Taylor D34/23
- D410,128 S * 5/1999 Dallas et al. D34/23
- 6,010,187 A * 1/2000 Dallas et al. 297/188.08
- D424,328 S * 5/2000 Dominik D6/445
- D509,082 S * 9/2005 Petruccelli D6/441
- D511,416 S * 11/2005 Obbitts et al. D6/336

FIG. 6 is a front view of the tool chest creeper seat, shown in FIG. 1; and,

FIG. 7 is a bottom view of the tool chest creeper seat, shown in FIG. 1.

In FIGS. 1–7, the details shown in broken lines are for illustrative purposes only and form no part of the claimed design.

1 Claim, 4 Drawing Sheets



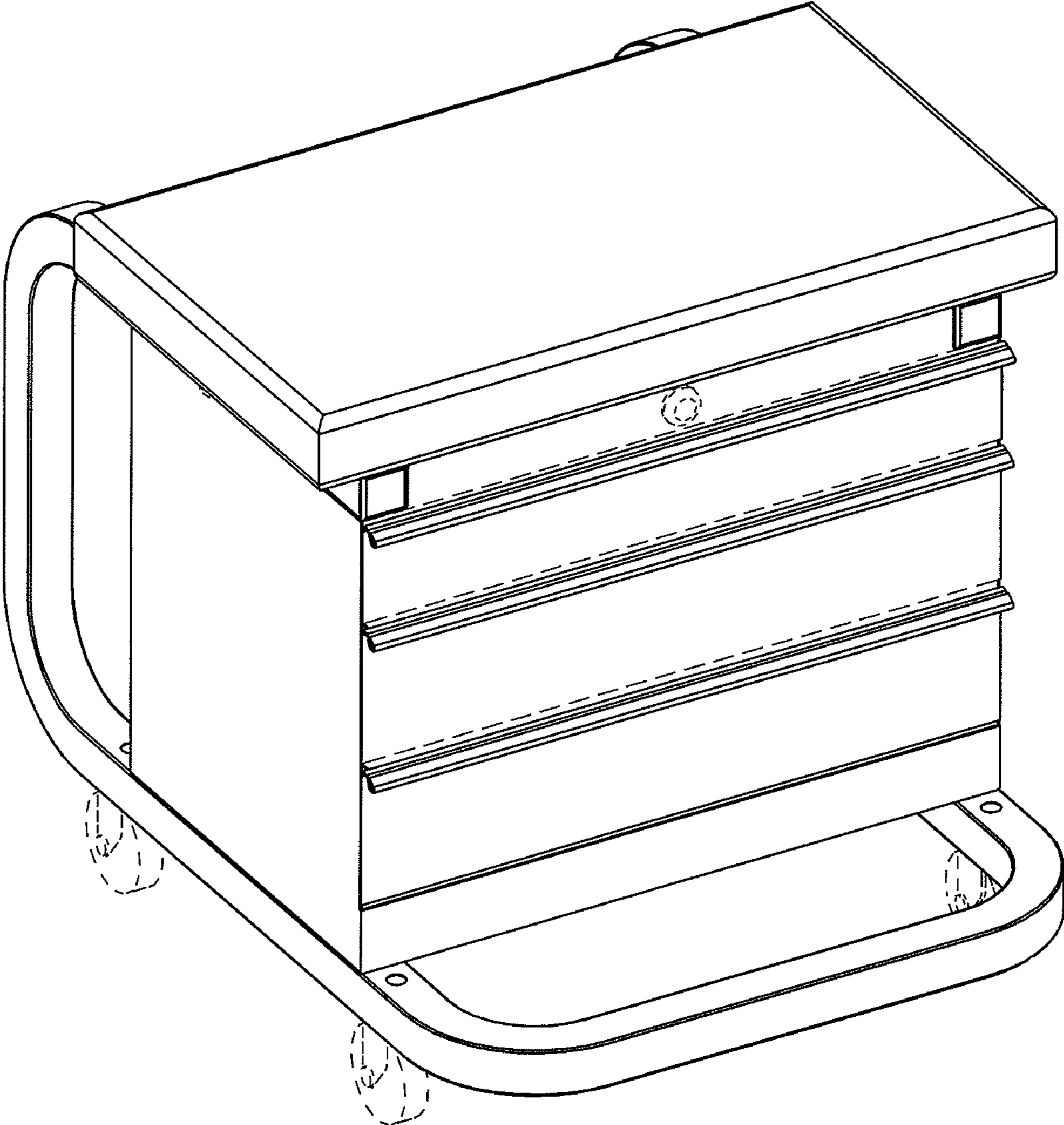


FIG.1

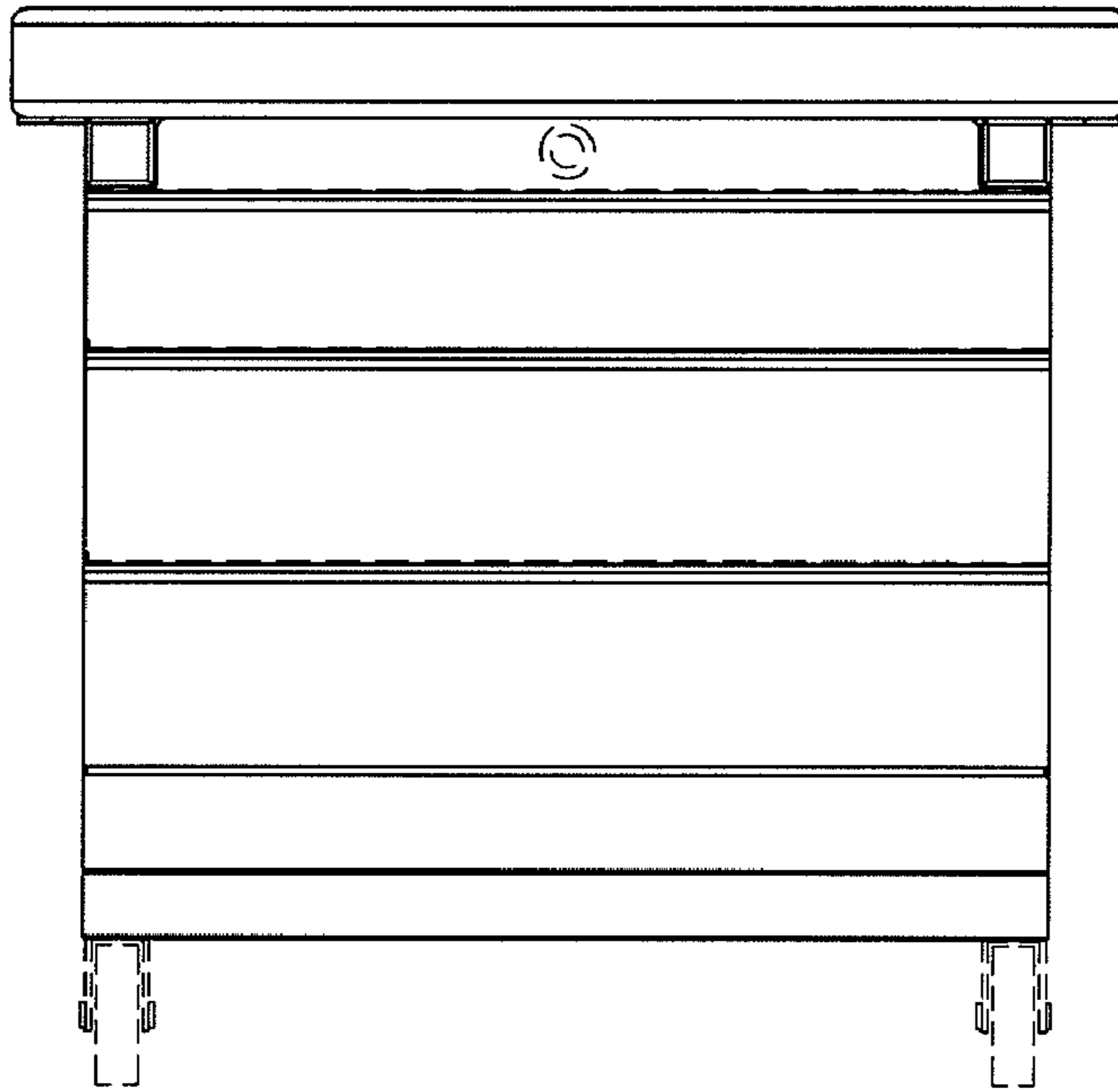


FIG. 2

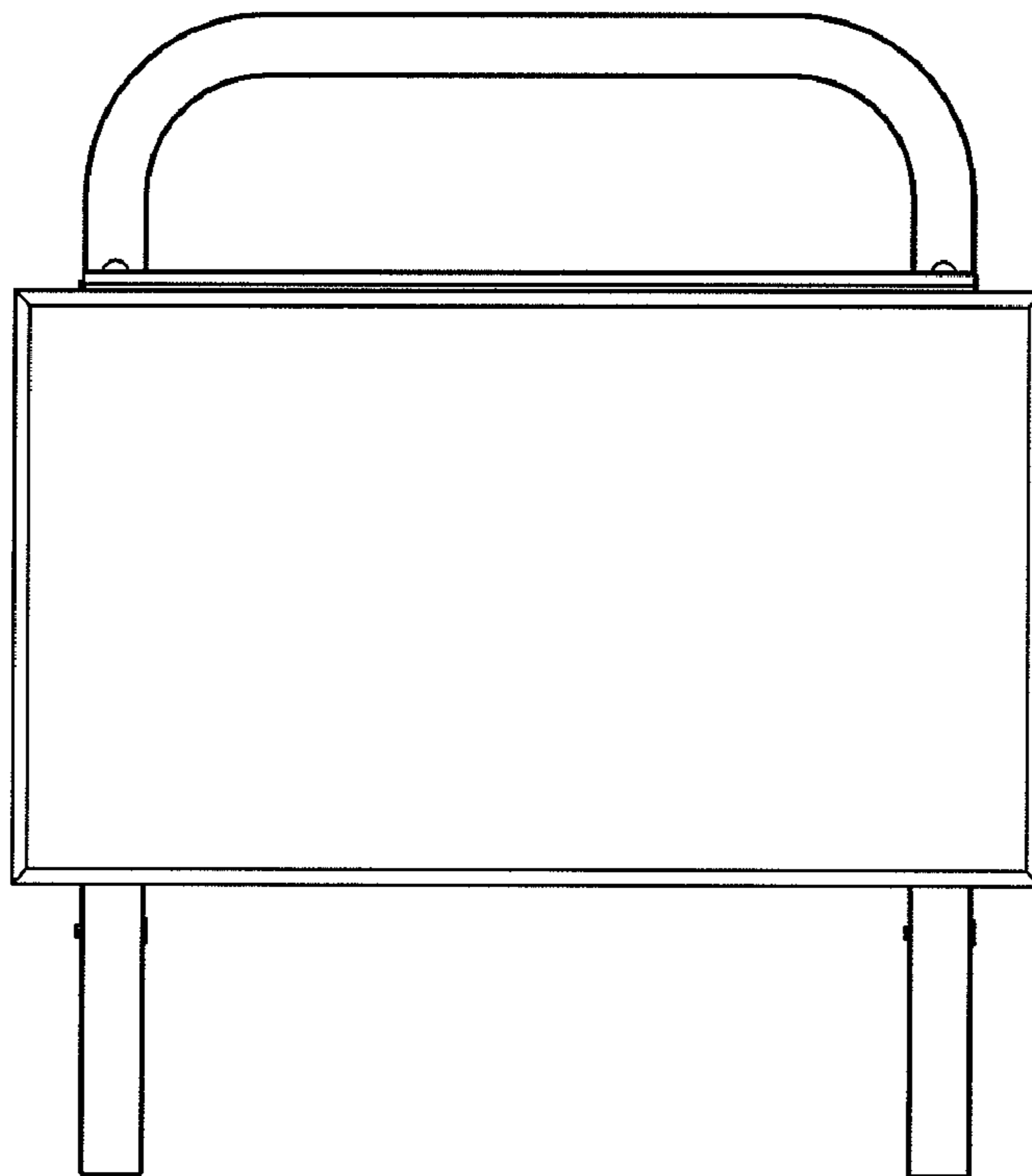


FIG. 3

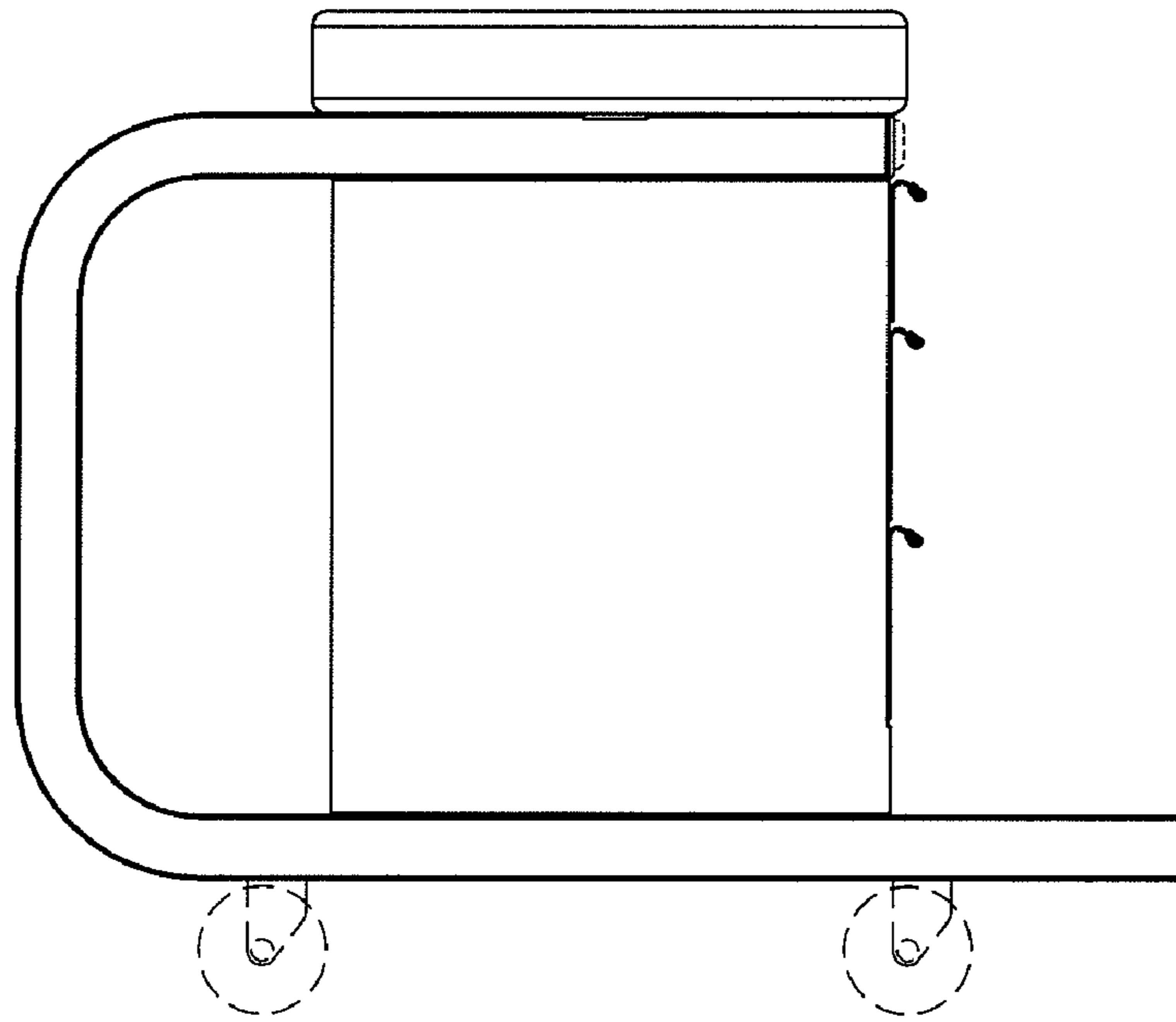


FIG. 4

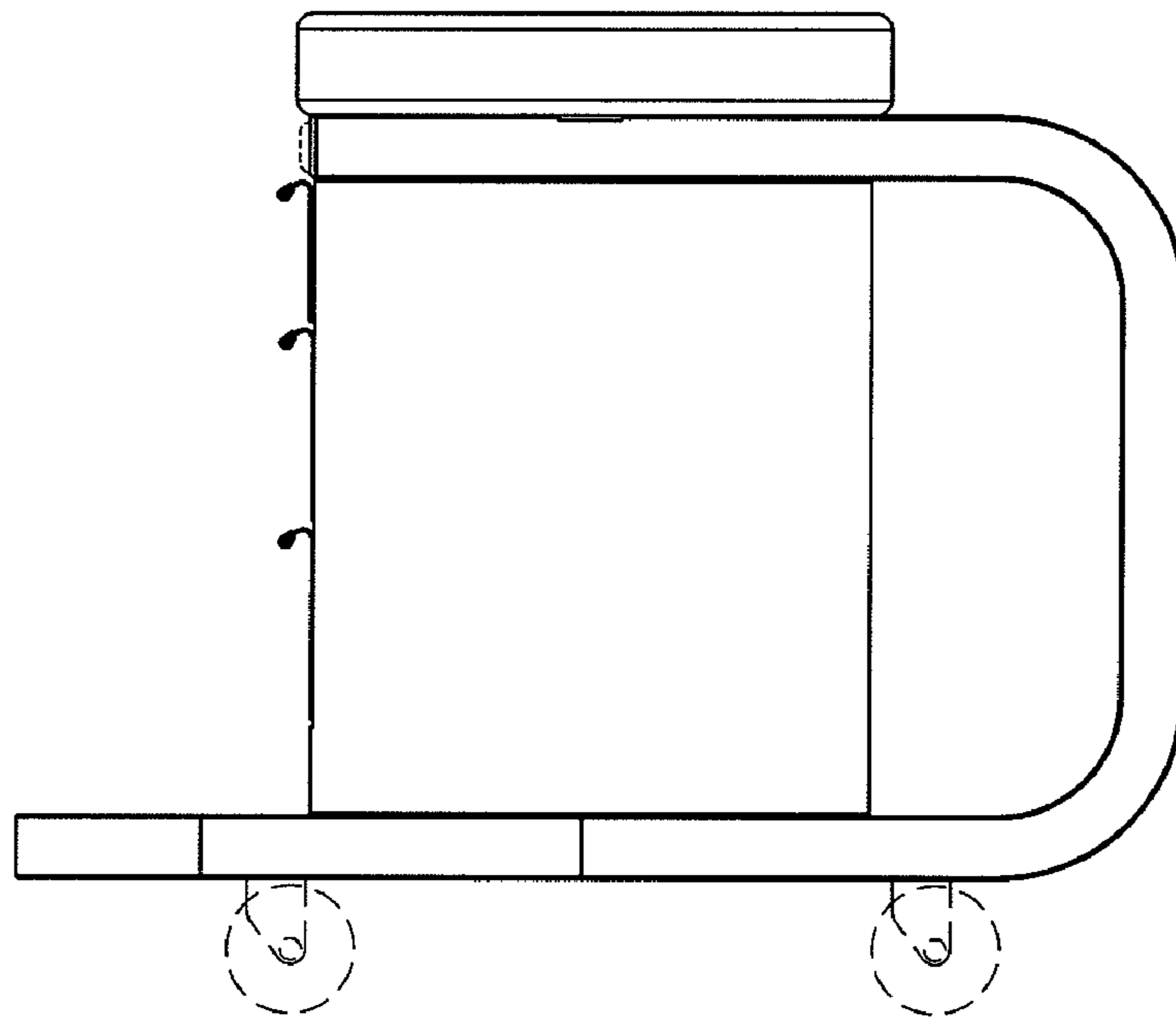


FIG. 5

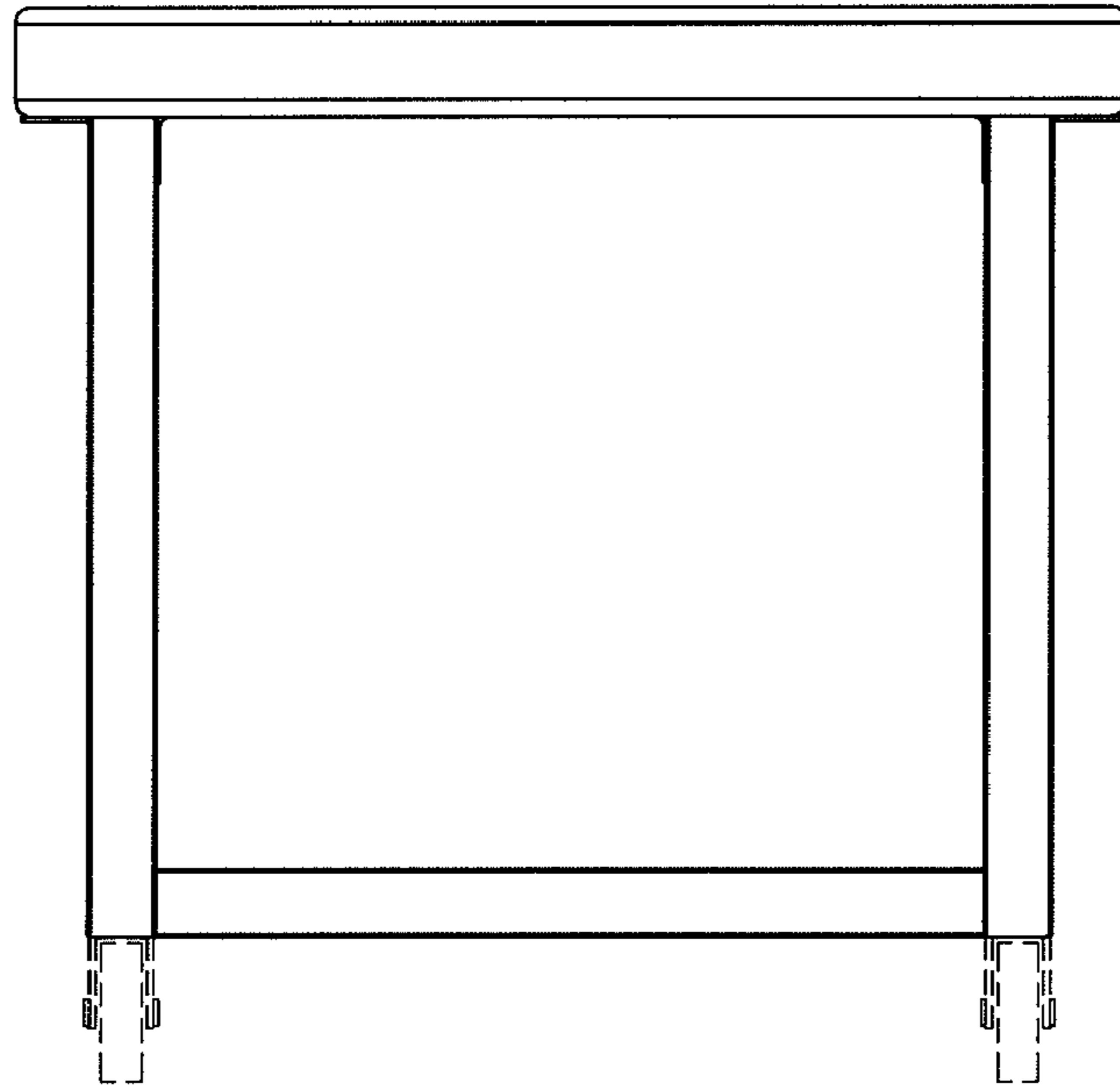


FIG. 6

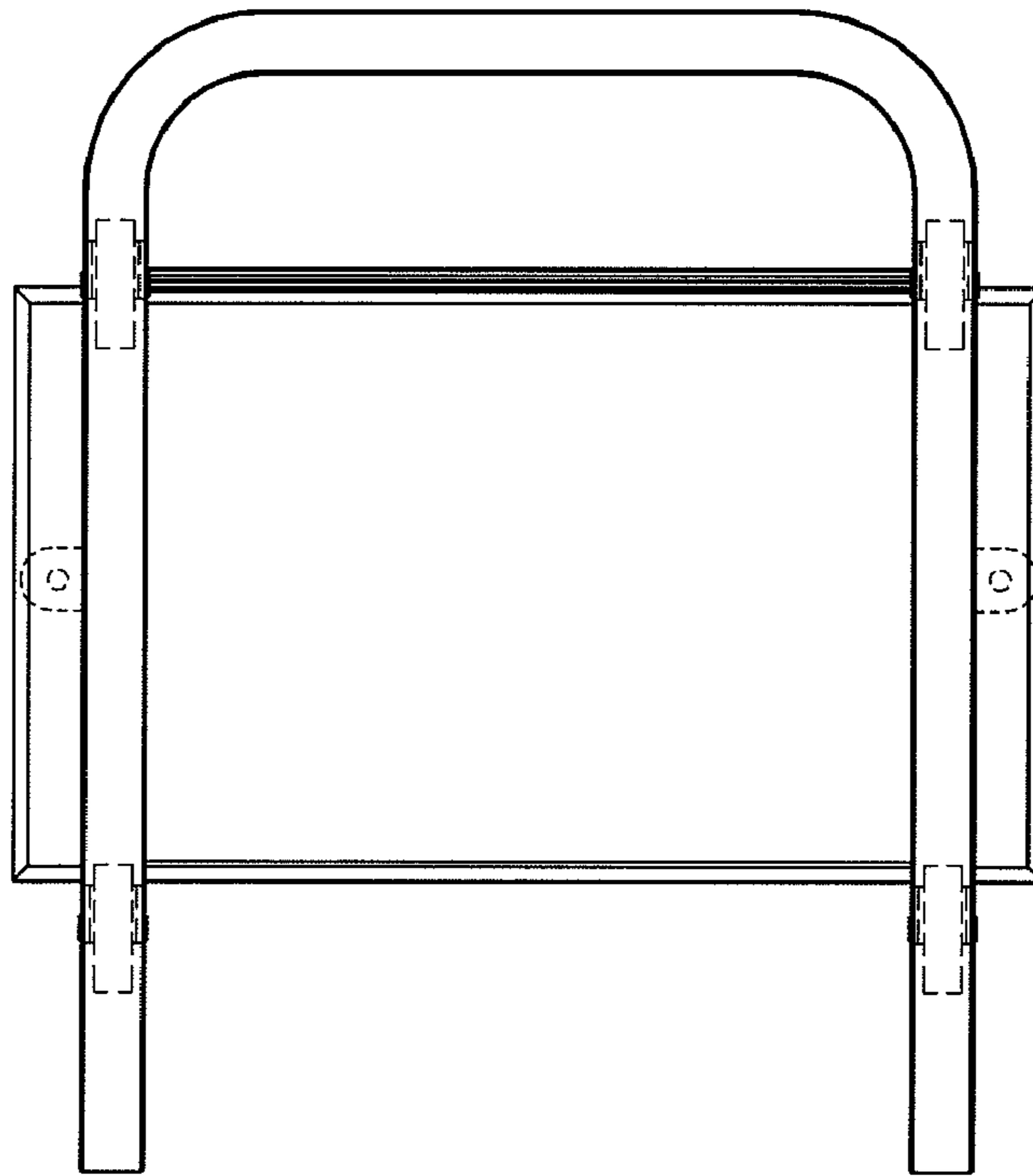


FIG. 7