



US00D586123S

(12) **United States Design Patent**
Lowrey

(10) **Patent No.:** **US D586,123 S**
(45) **Date of Patent:** **** Feb. 10, 2009**

(54) **COLLAPSIBLE CONTAINER**

(76) Inventor: **Ian Lowrey**, 7 MacDonald Street,
Paddington, New South Wales (AU)
2021

(**) Term: **14 Years**

(21) Appl. No.: **29/238,088**

(22) Filed: **Sep. 9, 2005**

(30) **Foreign Application Priority Data**

Mar. 10, 2005 (AU) 10922/2005

(51) **LOC (9) Cl.** **03-01**

(52) **U.S. Cl.** **D3/273**

(58) **Field of Classification Search** D3/272–273,
D3/276, 294, 305, 905; D12/414.1; 220/4.28,
220/6, 7, 17; 296/37.5–37.6

See application file for complete search history.

(56) **References Cited**

U.S. PATENT DOCUMENTS

- 1,626,369 A * 4/1927 Williamson 220/6
- 1,661,161 A * 3/1928 Beougher 220/6
- 1,718,134 A * 6/1929 Gallion 190/19
- D100,473 S * 7/1936 Hershfield D3/272
- 2,221,504 A * 11/1940 Beasley et al. 220/6
- 4,749,226 A 6/1988 Heft
- 4,828,312 A * 5/1989 Kinkel et al. 296/37.6
- D353,714 S * 12/1994 Stromberg D3/305
- 5,853,116 A 12/1998 Schreiner
- D403,654 S * 1/1999 Houry D12/414.1
- 6,056,177 A 5/2000 Schneider
- 6,257,640 B1 7/2001 Leitner et al.
- 6,471,278 B2 * 10/2002 Leitner et al. 296/37.6
- 6,507,701 B2 * 1/2003 Lake 296/37.6
- 6,536,826 B1 3/2003 Reed
- 6,824,184 B2 * 11/2004 Leitner et al. 296/37.6
- D500,205 S * 12/2004 DeCarlo et al. D3/302
- 6,935,526 B1 * 8/2005 Laggar 220/7

- D518,637 S * 4/2006 DeCarlo et al. D3/302
- 2002/0175530 A1 * 11/2002 Lake 296/37.6
- 2002/0179600 A1 * 12/2002 King 220/6

FOREIGN PATENT DOCUMENTS

EP 1325870 7/2003

* cited by examiner

Primary Examiner—T. Chase Nelson

Assistant Examiner—Roselynn Cody

(74) *Attorney, Agent, or Firm*—King & Schickli, PLLC

(57) **CLAIM**

The ornamental design of a collapsible container, as shown and described.

DESCRIPTION

FIG. 1 is a front side perspective view of the collapsible container of the present invention in a completely collapsed configuration;

FIG. 2 is a back side perspective view thereof in a completely collapsed configuration;

FIG. 3 is a front side perspective view thereof in a partially constructed configuration;

FIG. 4 is a front side perspective view thereof in a partially constructed configuration;

FIG. 5 is a front side perspective view thereof in a partially constructed configuration;

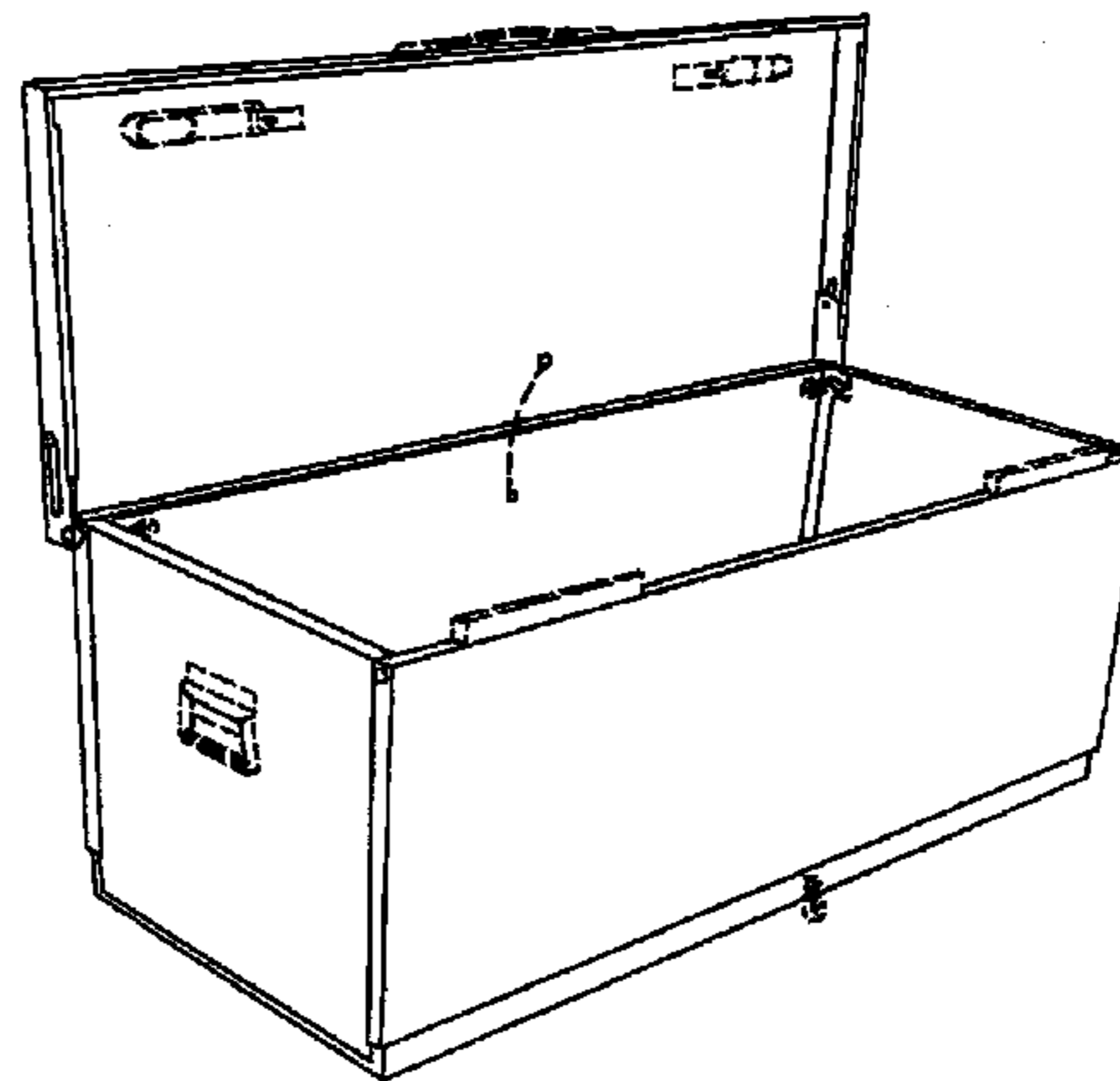
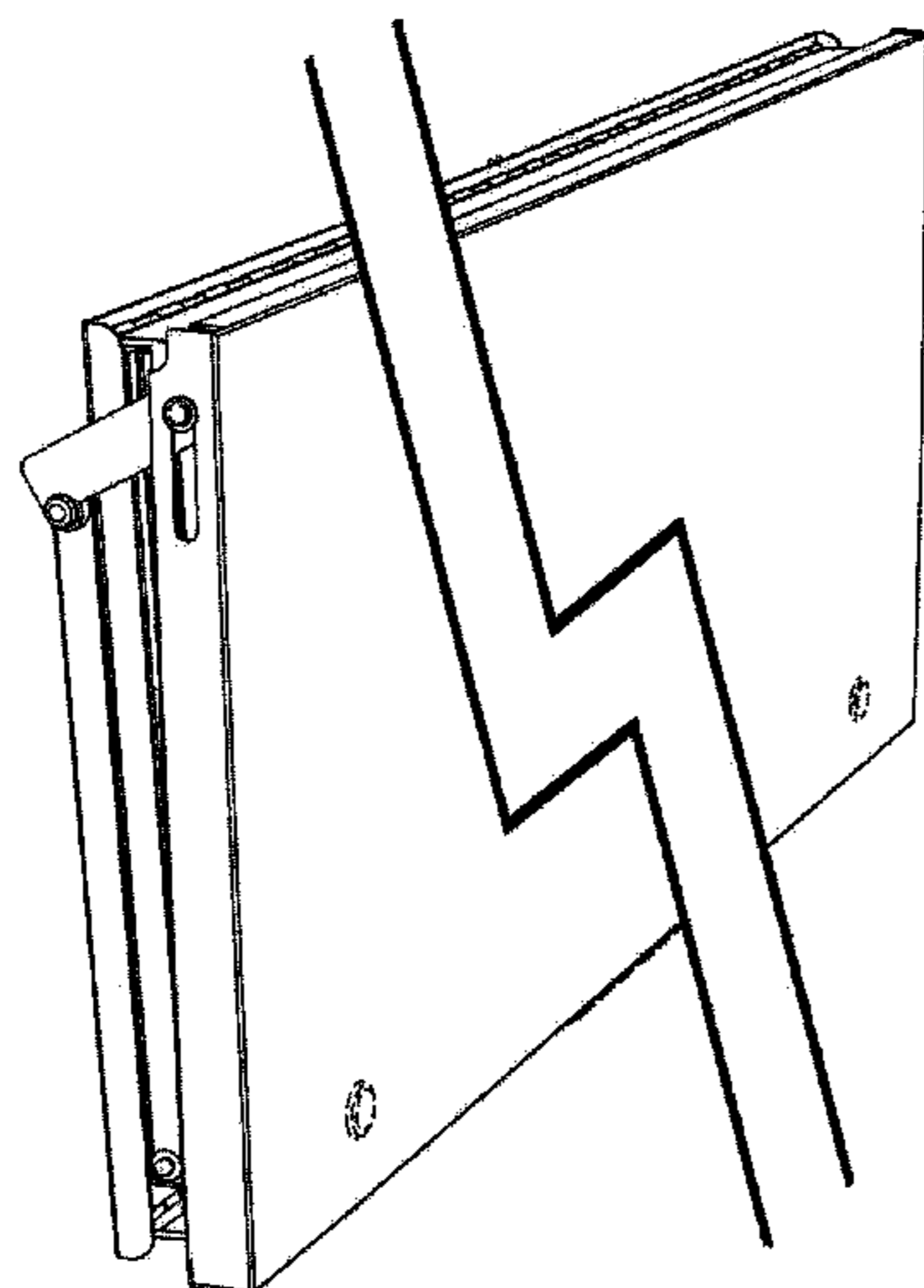
FIG. 6 is a front side perspective view thereof in a fully constructed configuration with an open top;

FIG. 7 is a front side perspective view thereof in a fully constructed configuration;

FIG. 8 is a back side perspective view thereof in a fully constructed configuration; and,

FIG. 9 is a close-up partial perspective view of a hinge.

1 Claim, 9 Drawing Sheets



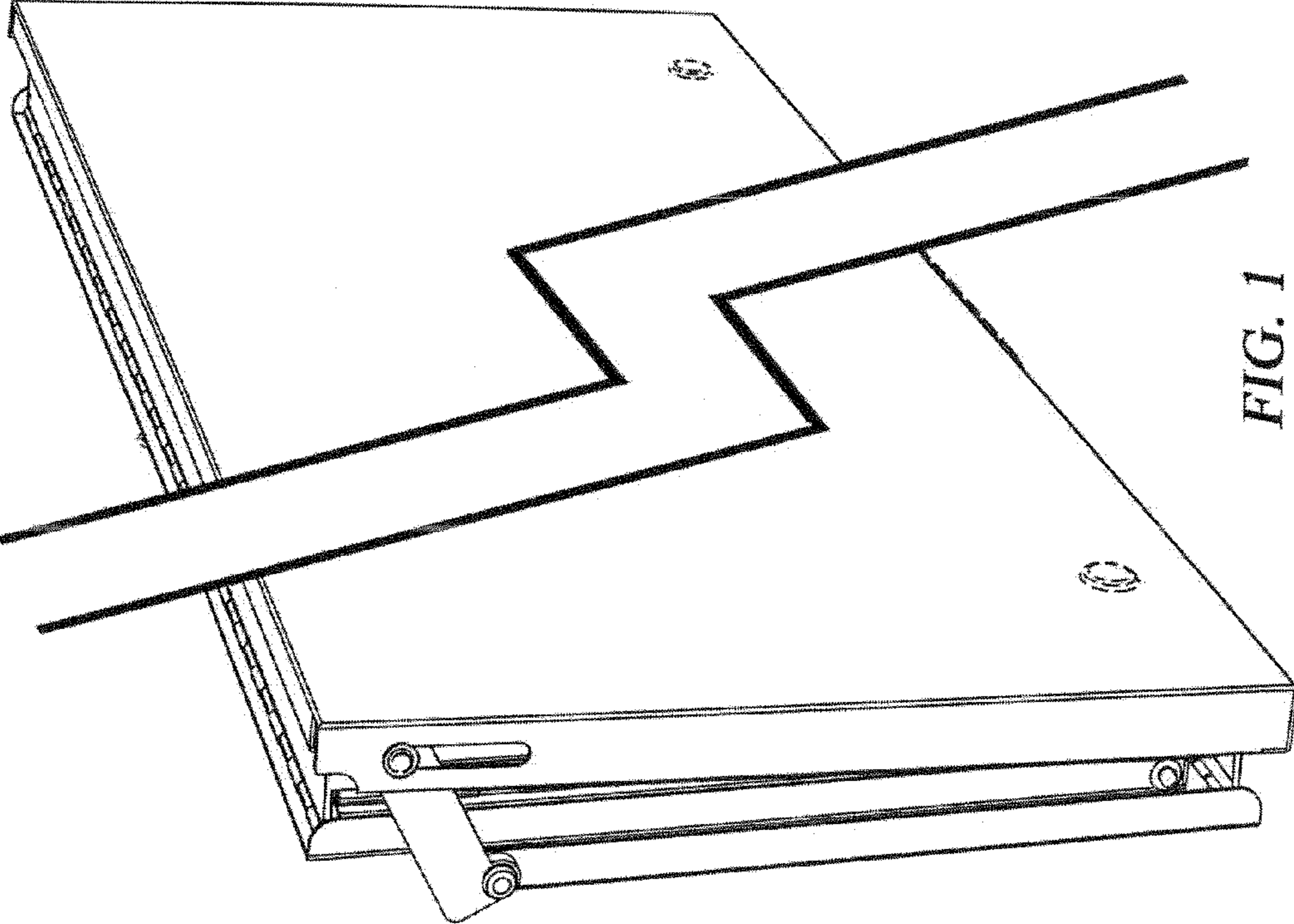
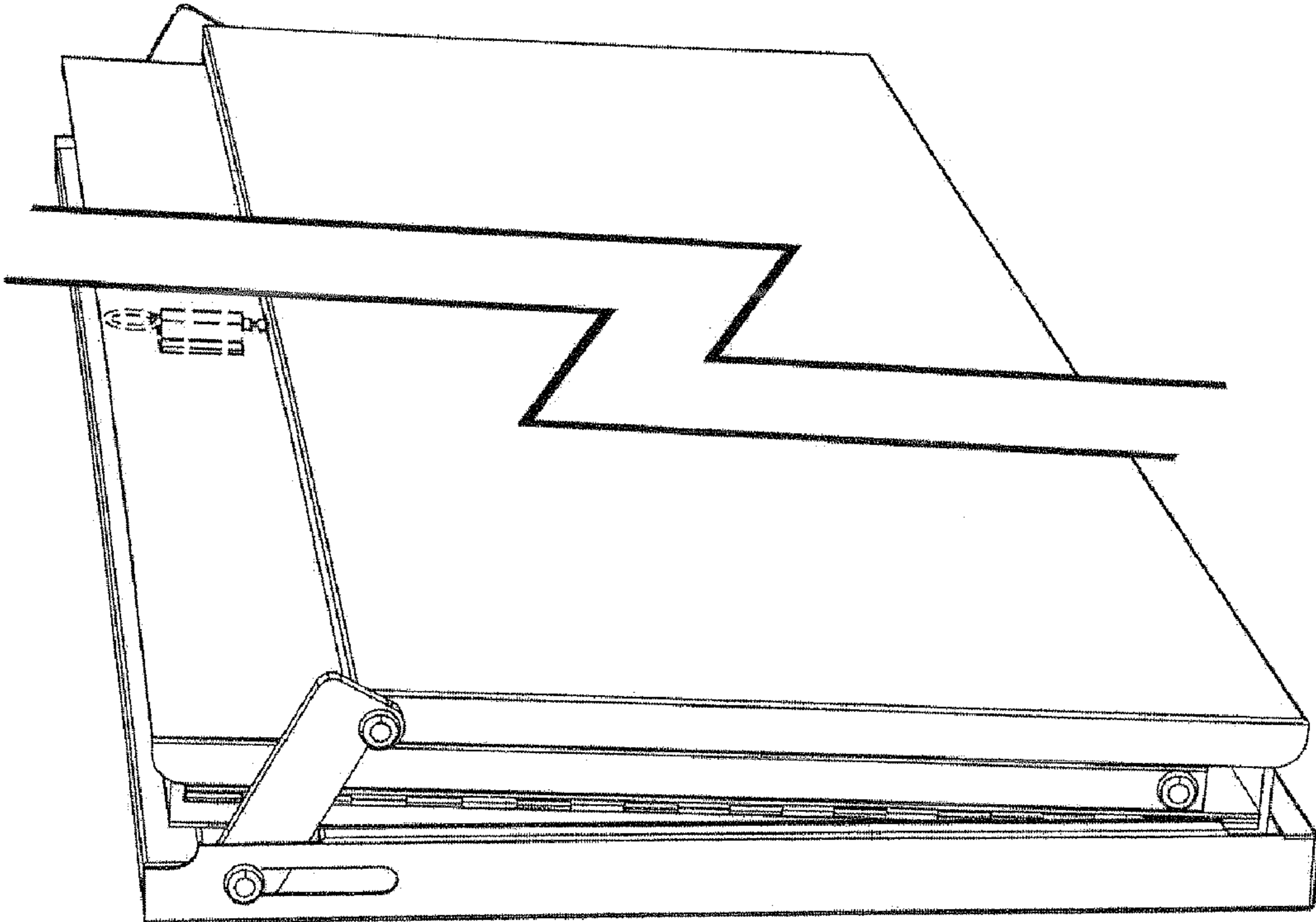


FIG. 1

FIG. 2



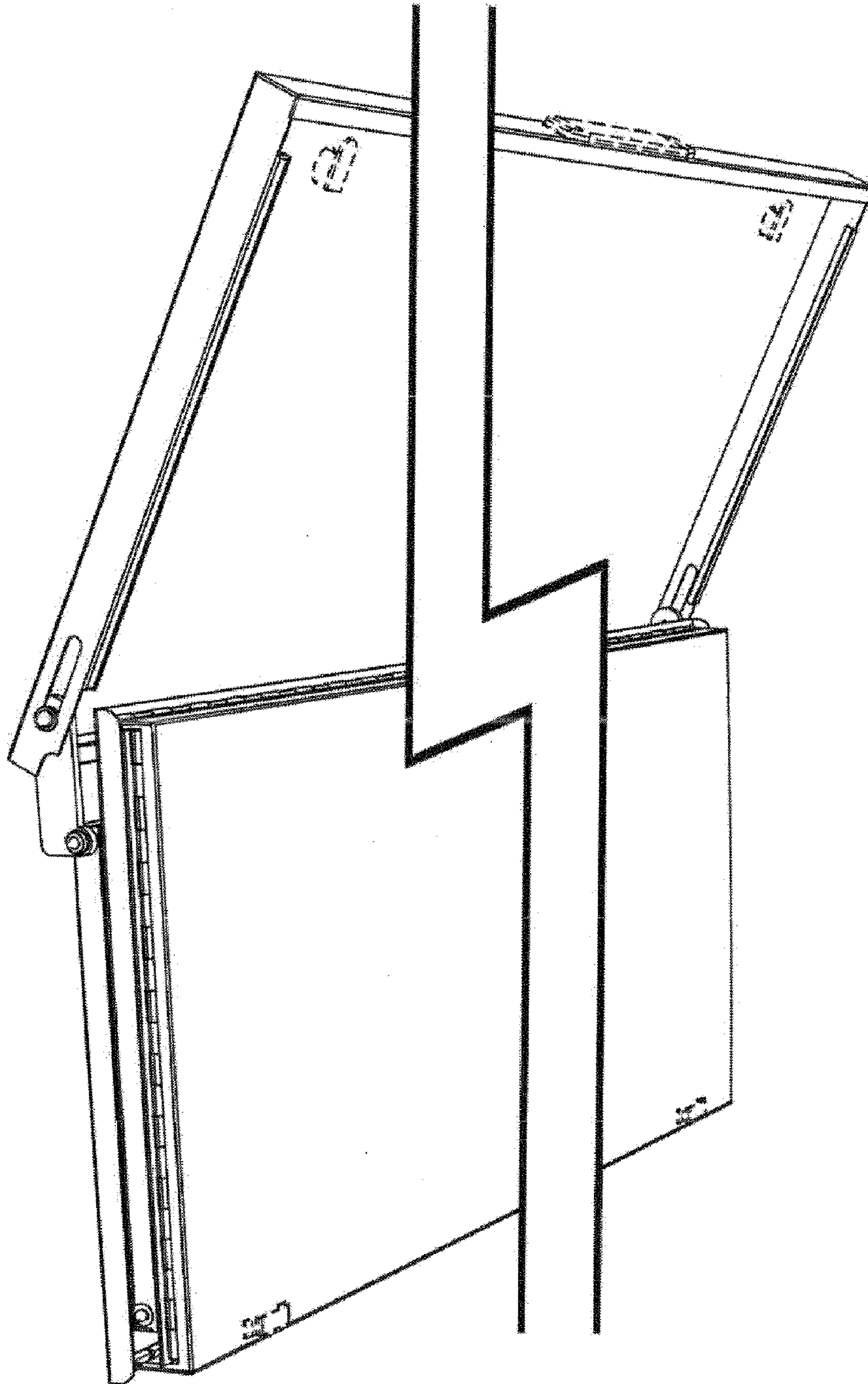


FIG. 3

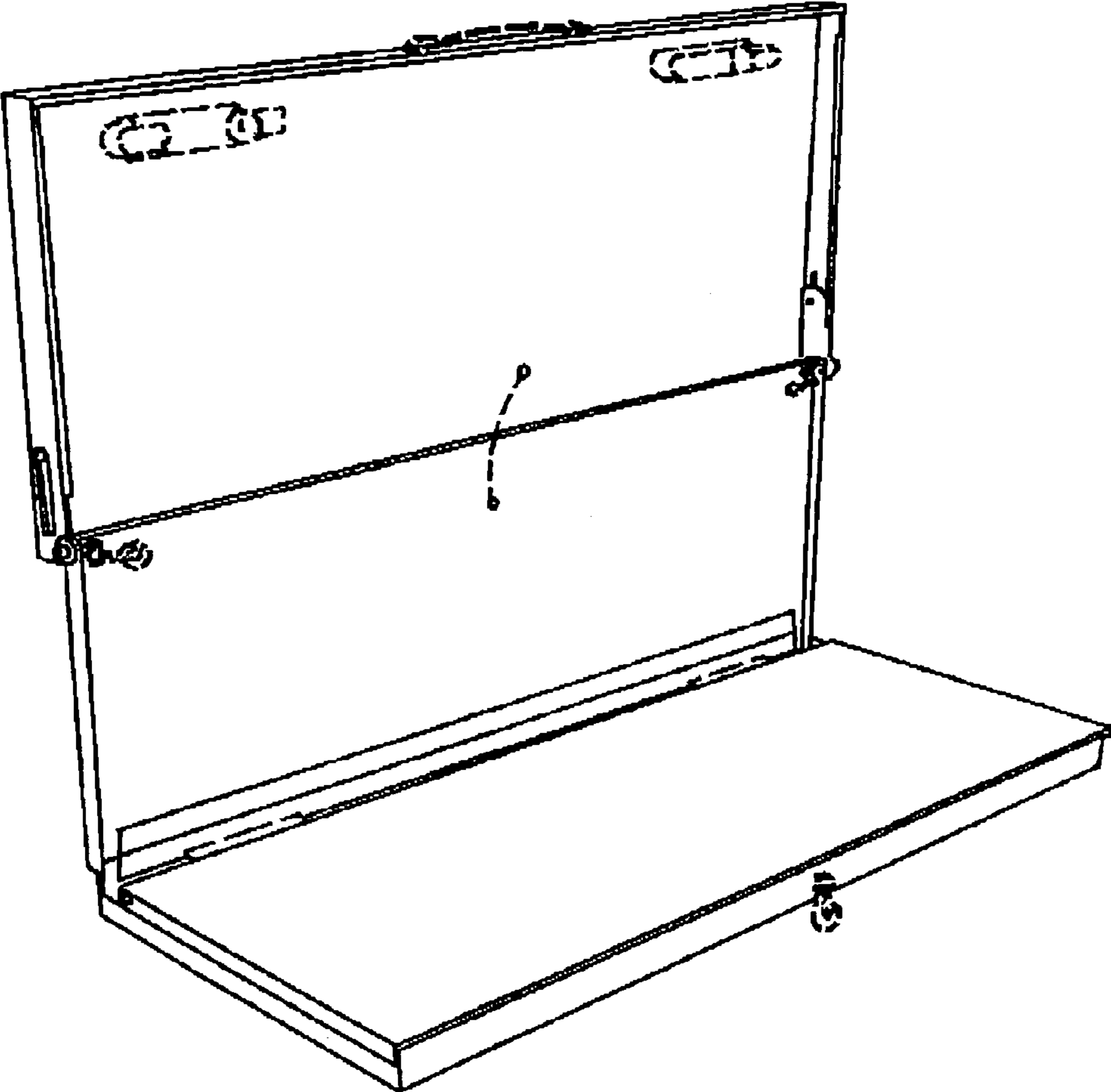


FIG. 4

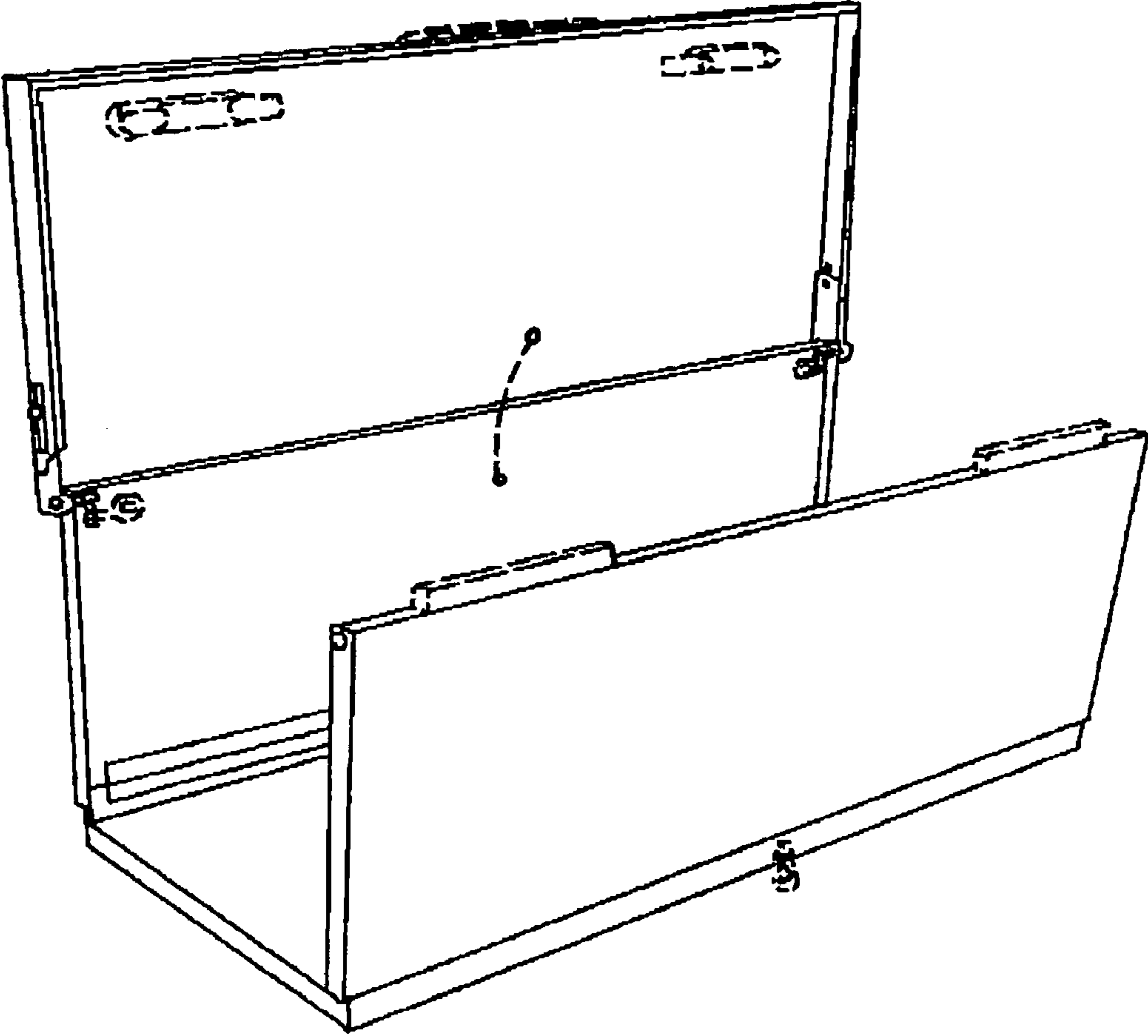


FIG. 5

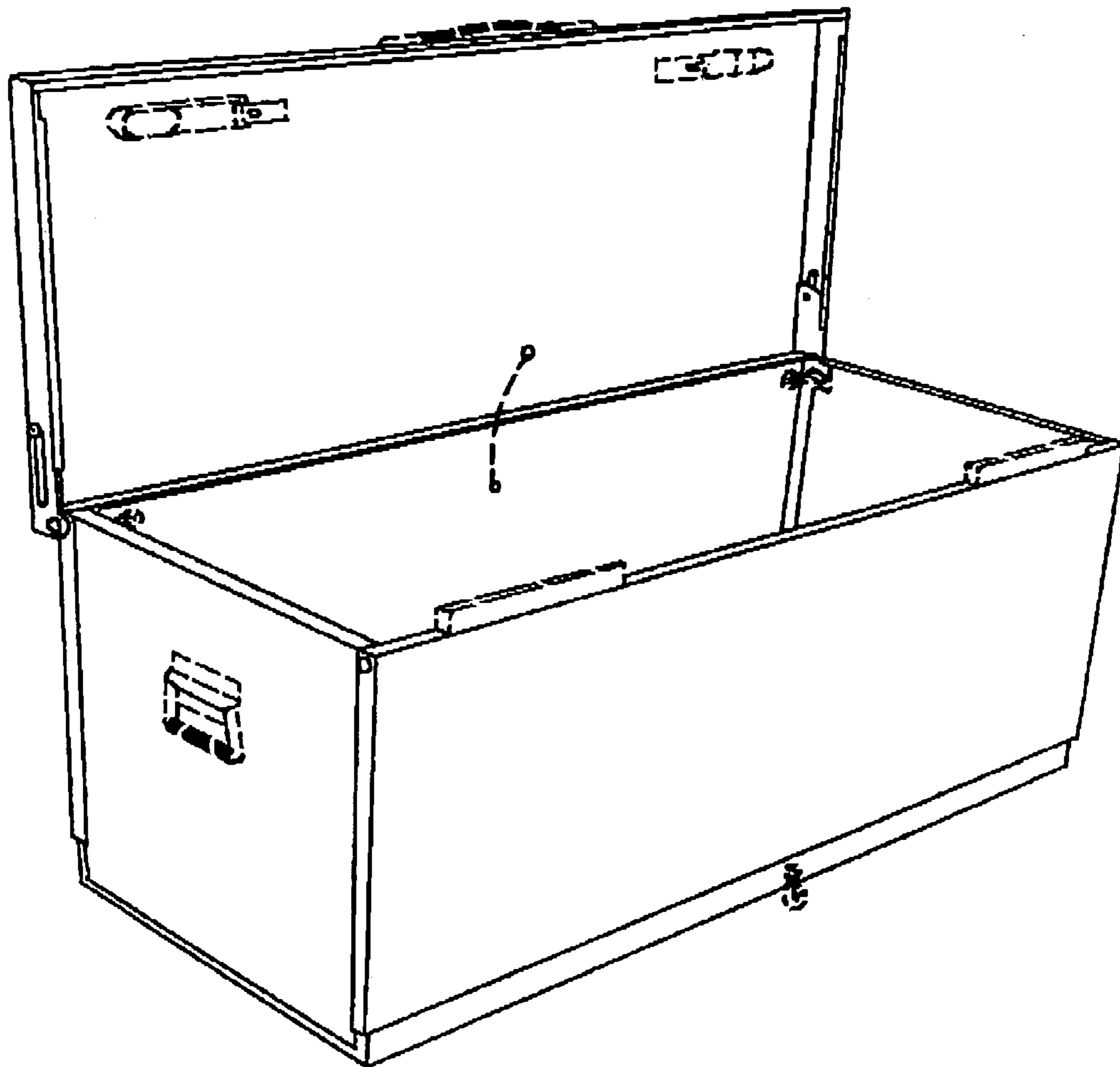
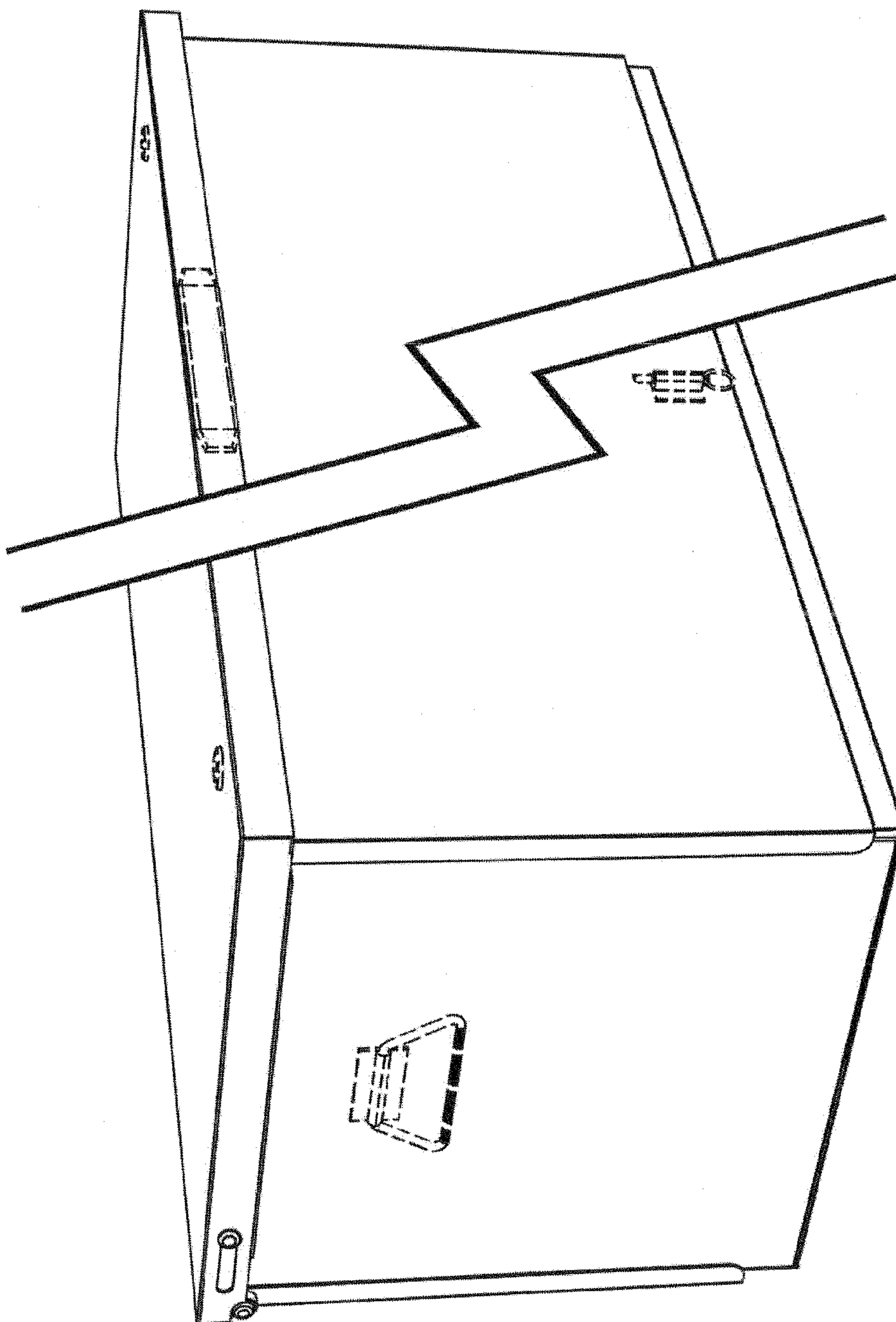


FIG. 6



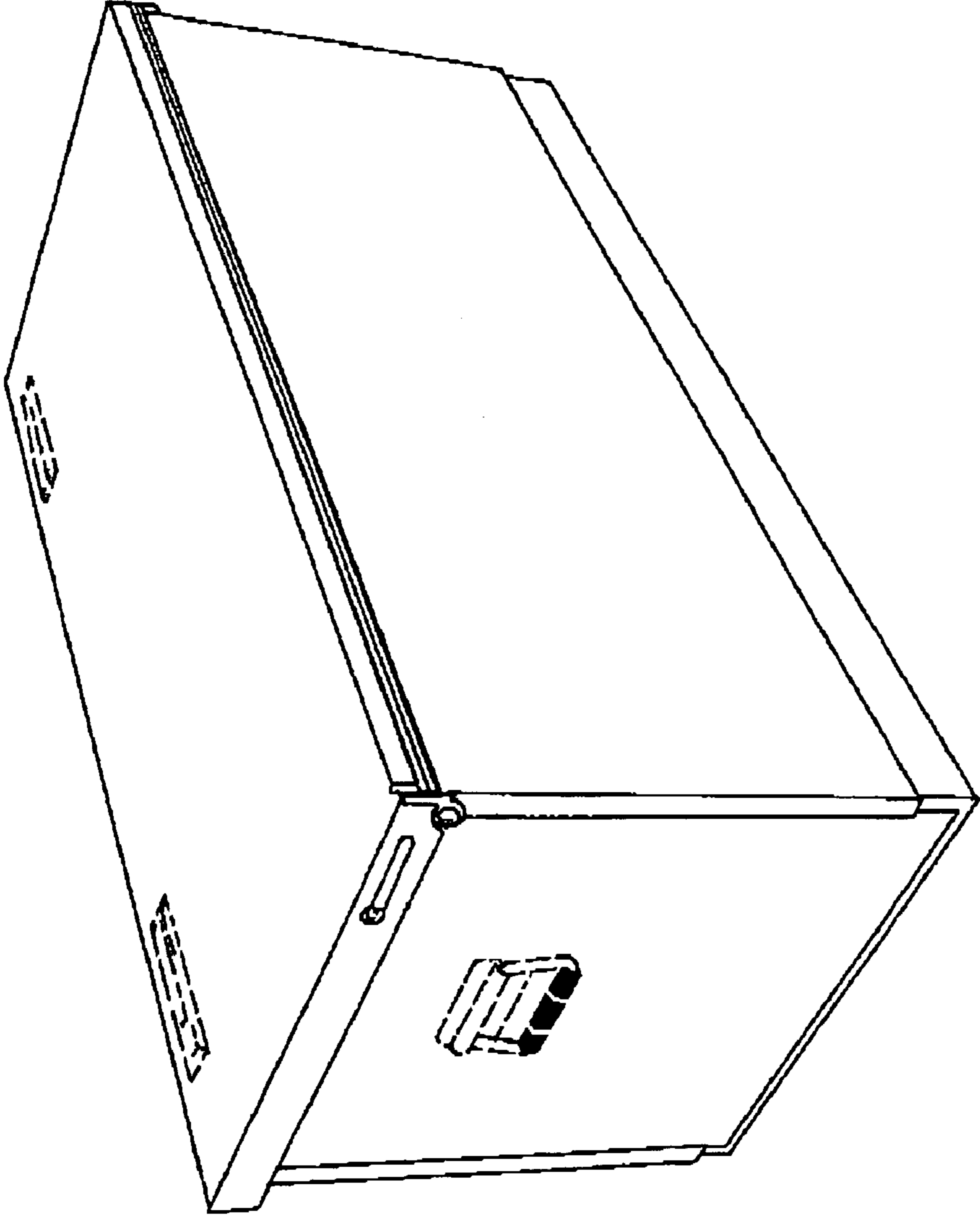


FIG. 8

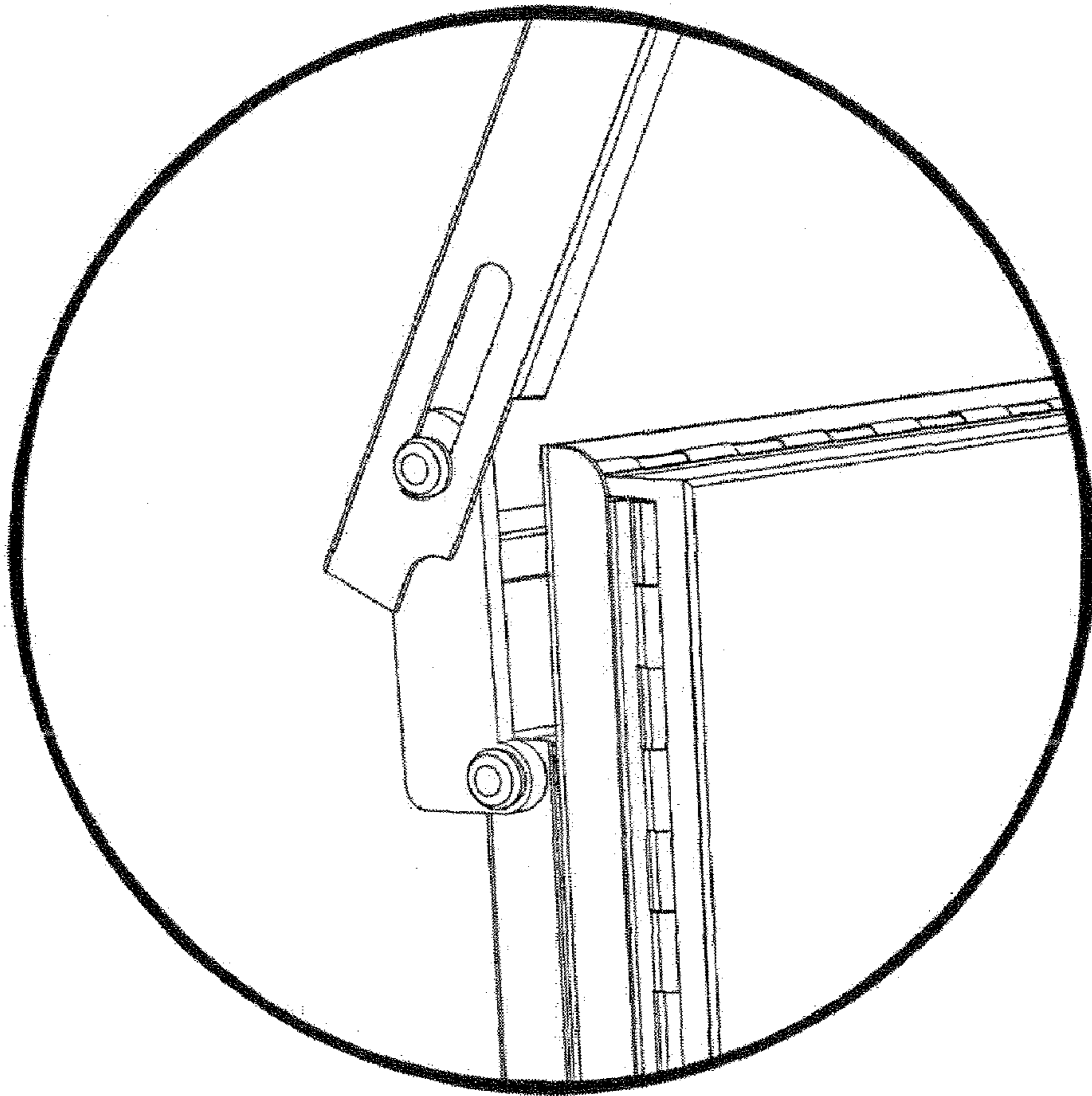


FIG. 9