



US00D586122S

(12) **United States Design Patent**
Hsu

(10) **Patent No.:** **US D586,122 S**
(45) **Date of Patent:** **** Feb. 10, 2009**

(54) **CARD CASE**

D570,112 S * 6/2008 McDowell et al. D3/247

(76) Inventor: **Nick Hsu**, 8F-1, 424, Chungming Rd.,
Taichung (TW)

* cited by examiner

Primary Examiner—Holly H Baynham

(**) Term: **14 Years**

(57) **CLAIM**

(21) Appl. No.: **29/308,563**

The ornamental design for a card case, as shown.

(22) Filed: **Jun. 23, 2008**

DESCRIPTION

(51) **LOC (9) Cl.** **03-01**

FIG. 1 is a perspective view of a card case, showing my new design;

(52) **U.S. Cl.** **D3/247**

FIG. 2 is a front view thereof;

(58) **Field of Classification Search** D3/247-252;
150/100, 103-104, 107-110, 114, 118-119,
150/140

FIG. 3 is a rear view thereof;

See application file for complete search history.

FIG. 4 is a left side view thereof;

(56) **References Cited**

FIG. 5 is a right side view thereof;

U.S. PATENT DOCUMENTS

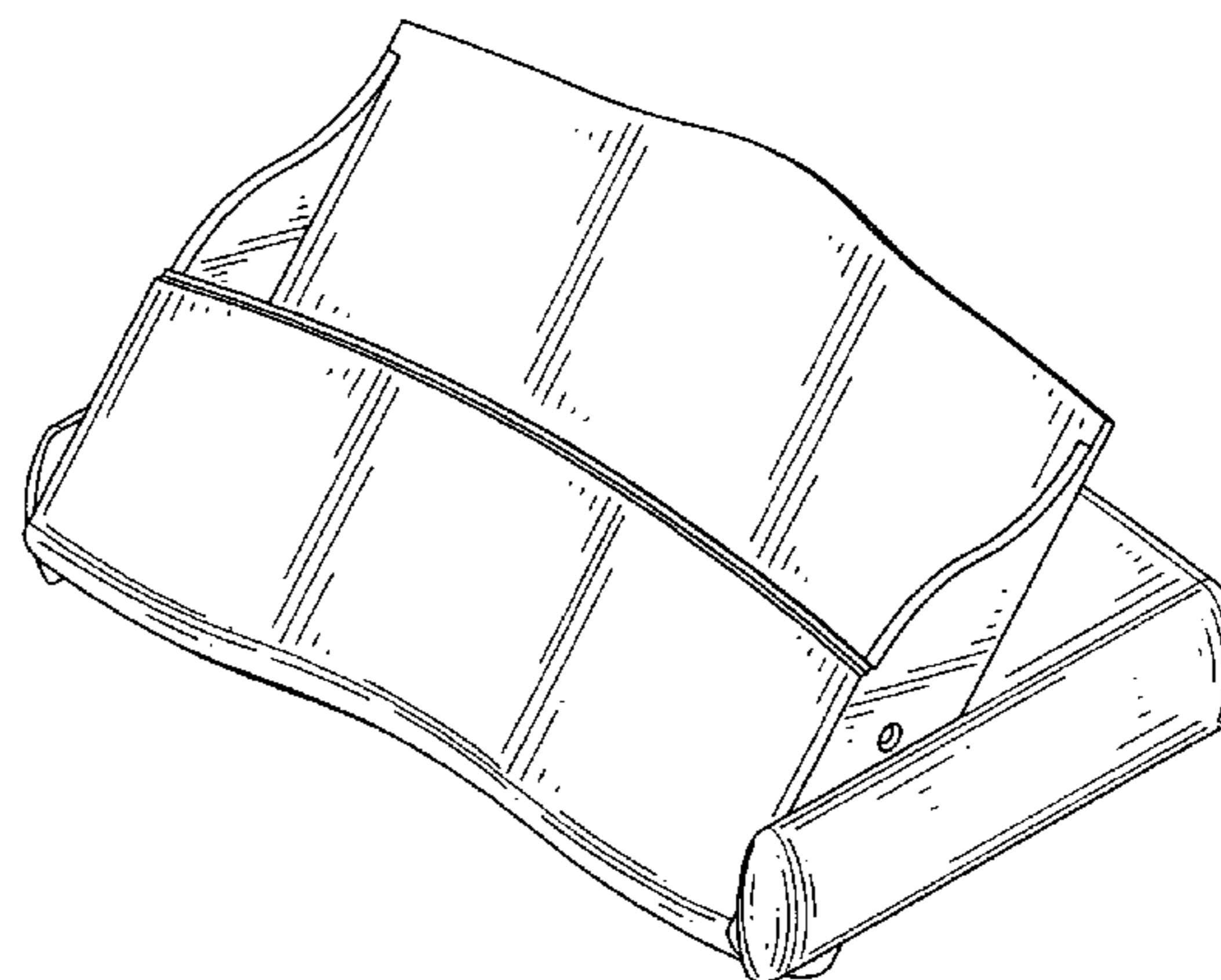
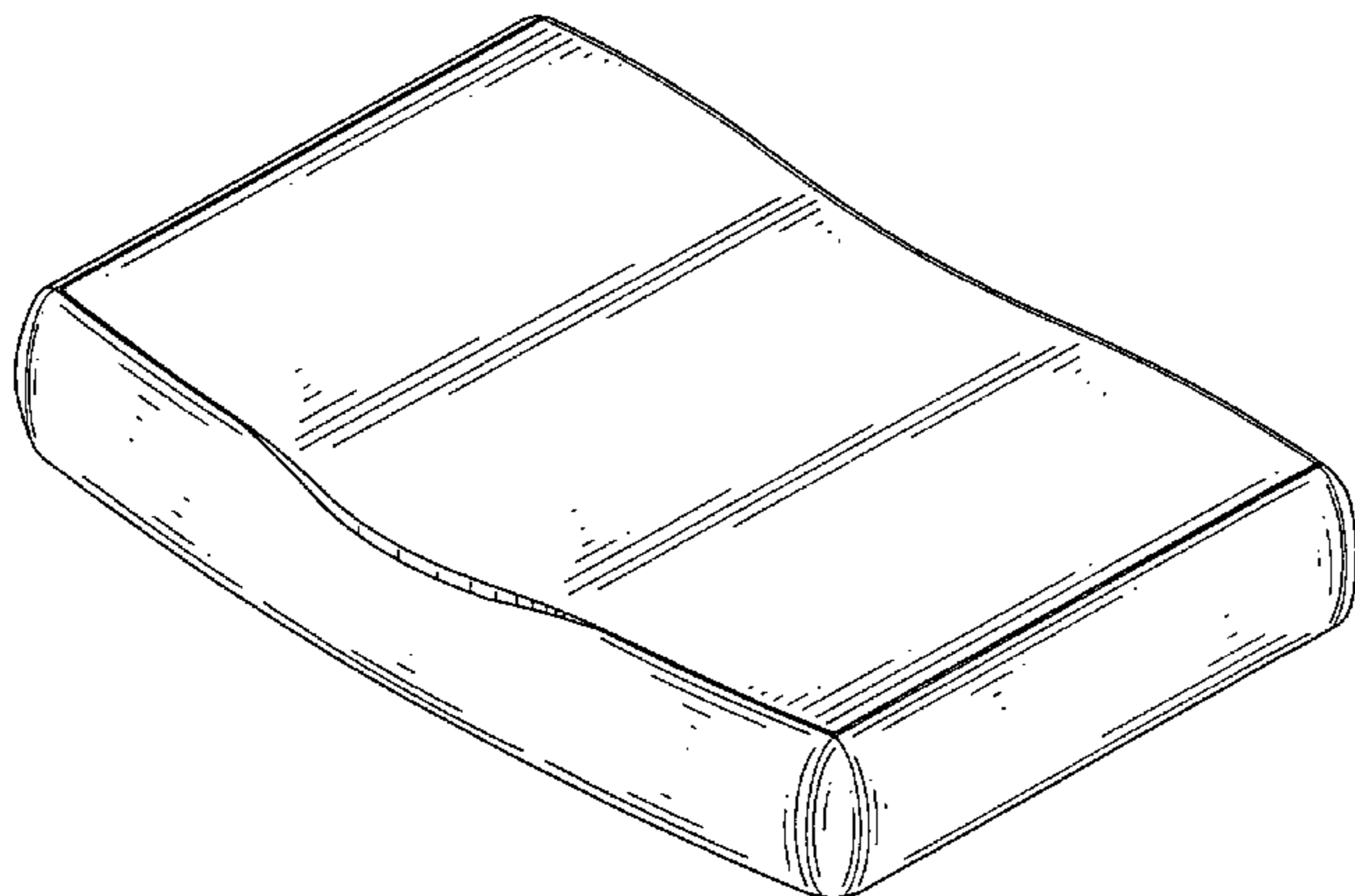
FIG. 6 is a top view thereof; and

- D345,464 S * 3/1994 Coronel D3/295
- D510,187 S * 10/2005 Chan D3/247
- D525,024 S * 7/2006 Fridie et al. D3/201
- D550,455 S * 9/2007 Barnhart D3/247

FIG. 7 is a bottom view thereof; and,

FIG. 8 is a perspective view shown in an open position.

1 Claim, 5 Drawing Sheets



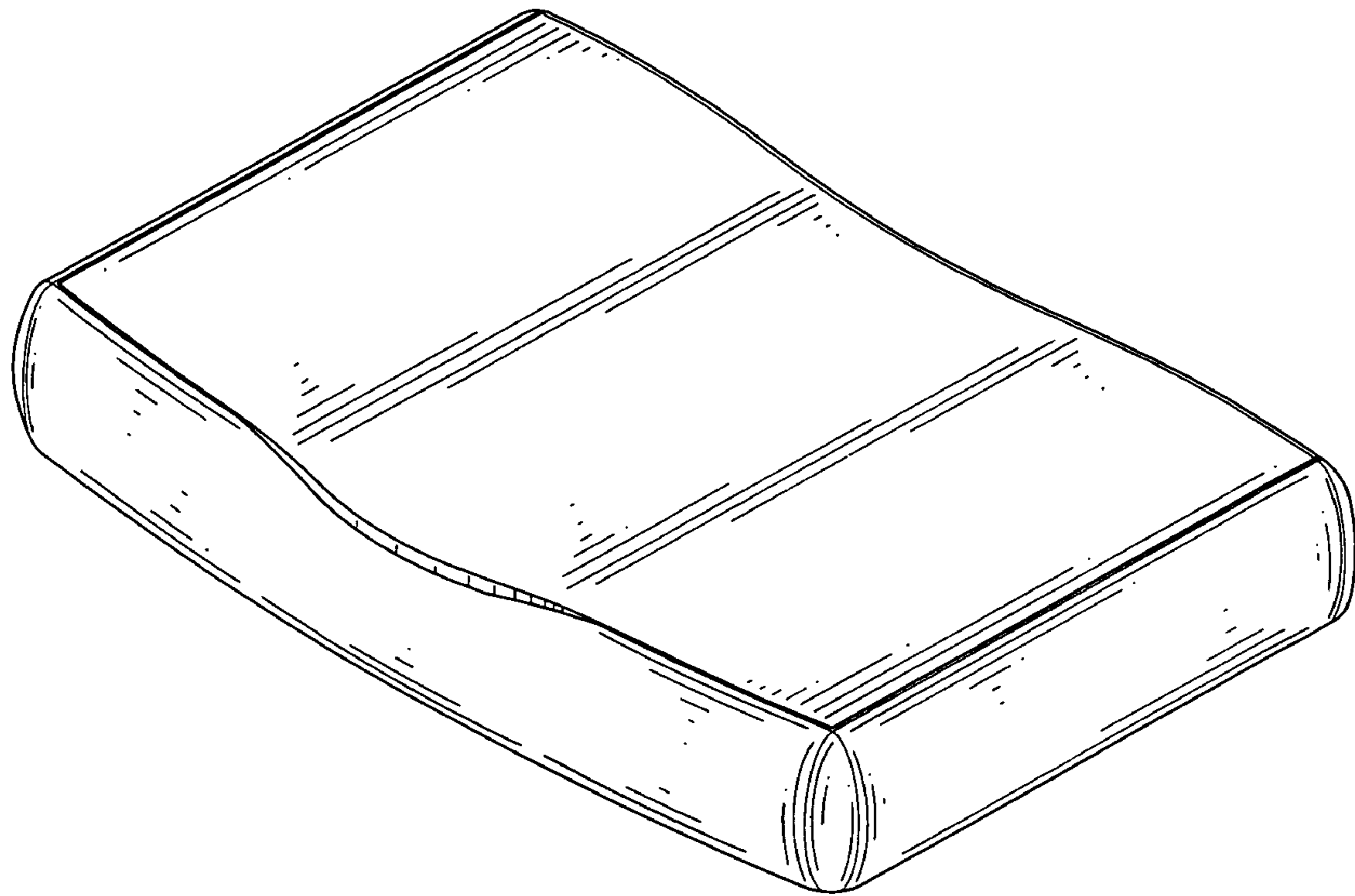


FIG.1

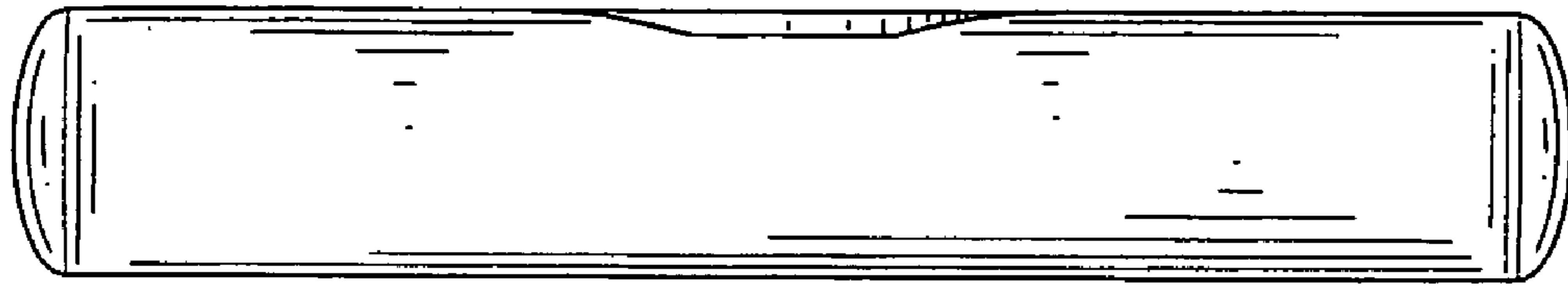


FIG. 2

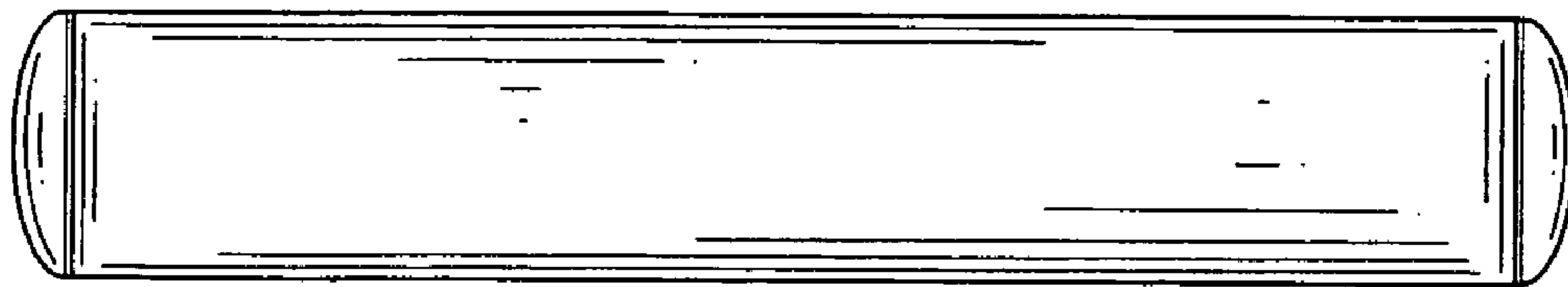


FIG. 3

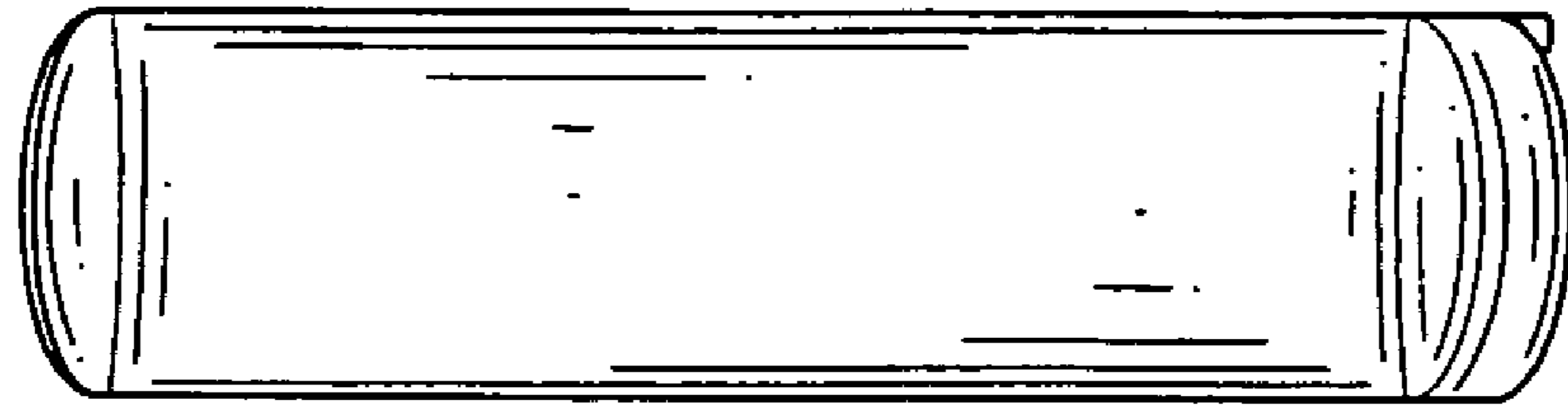


FIG. 4

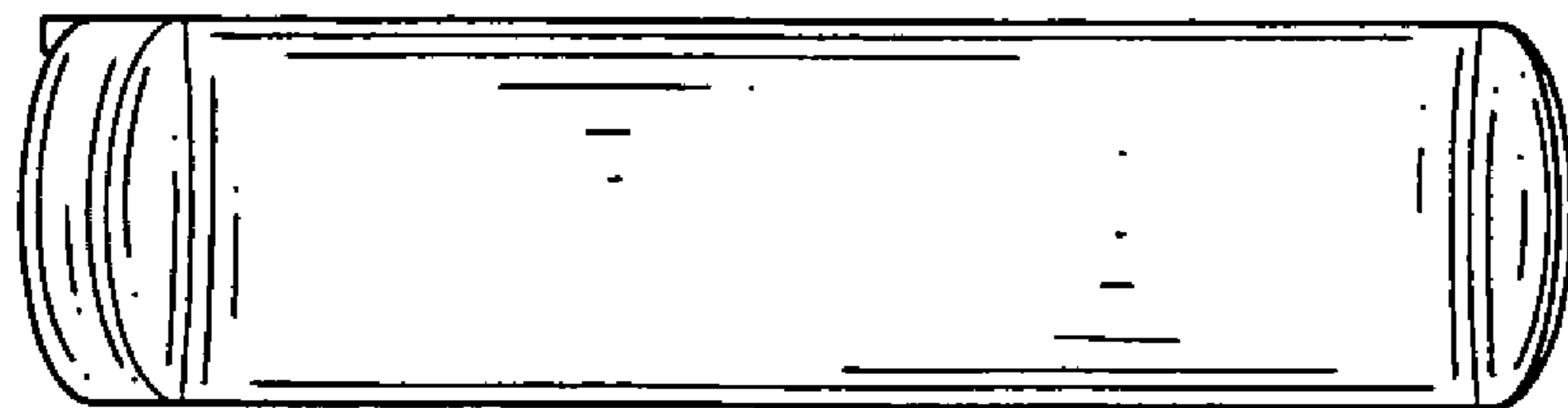


FIG. 5

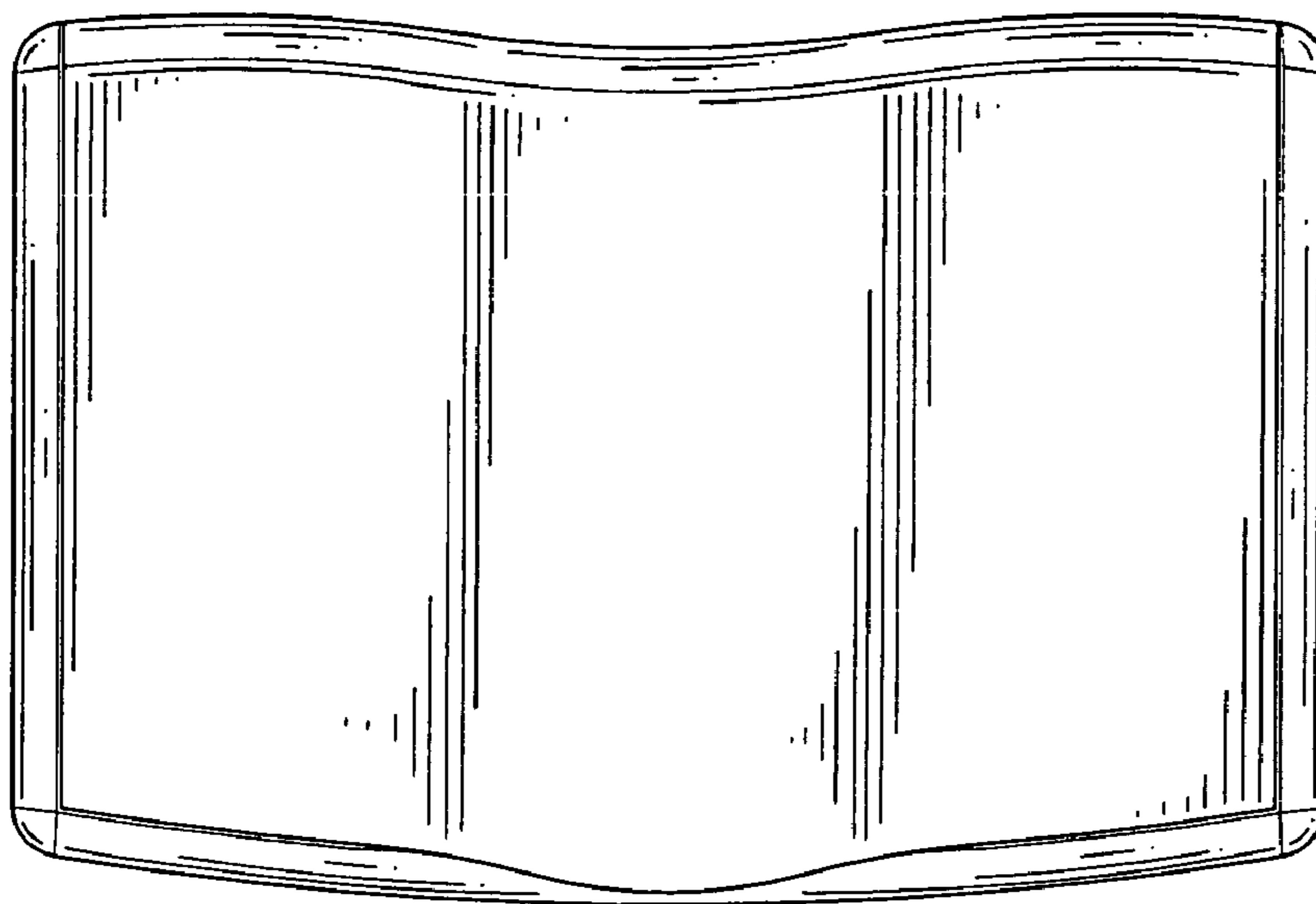


FIG. 6

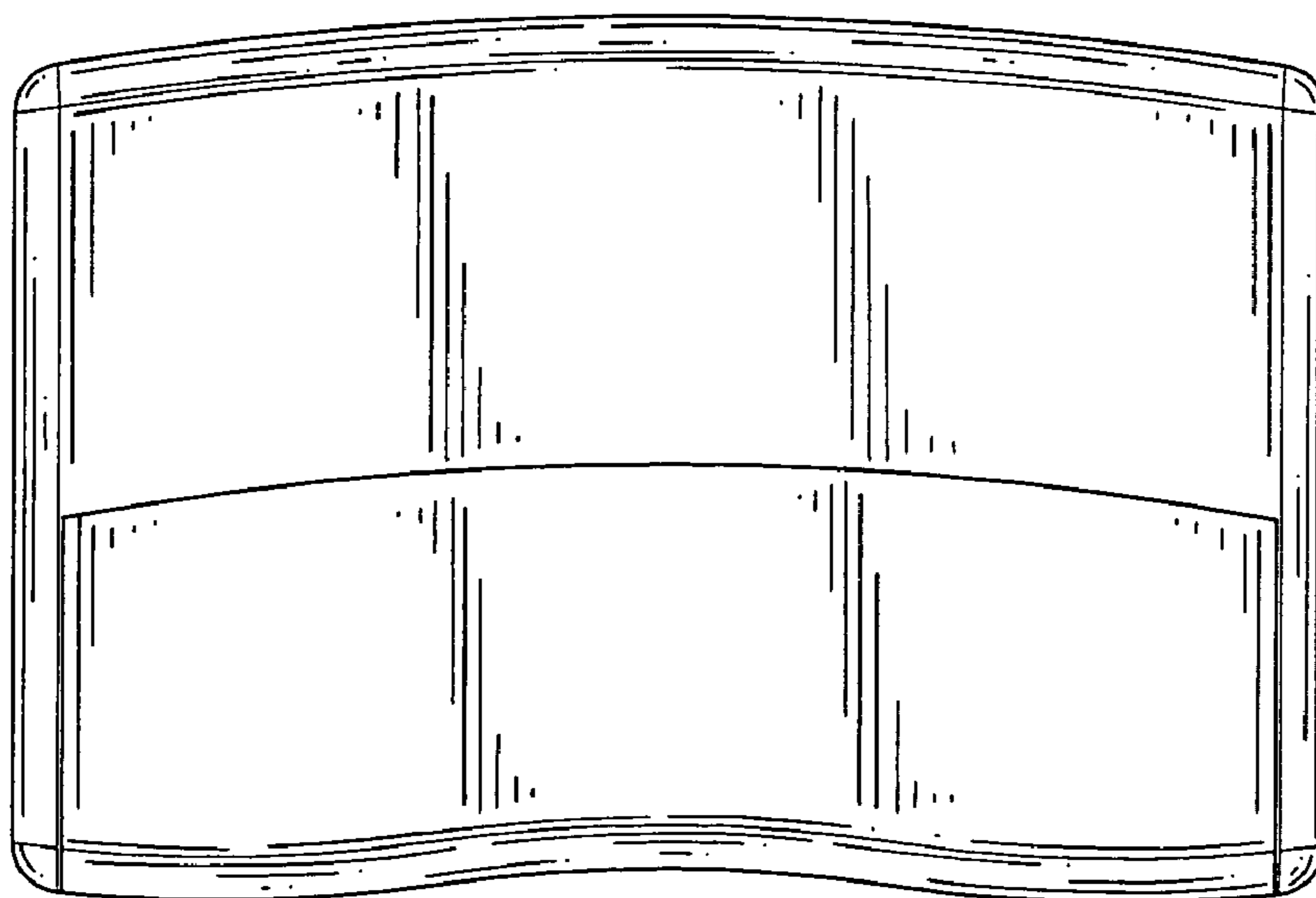


FIG. 7

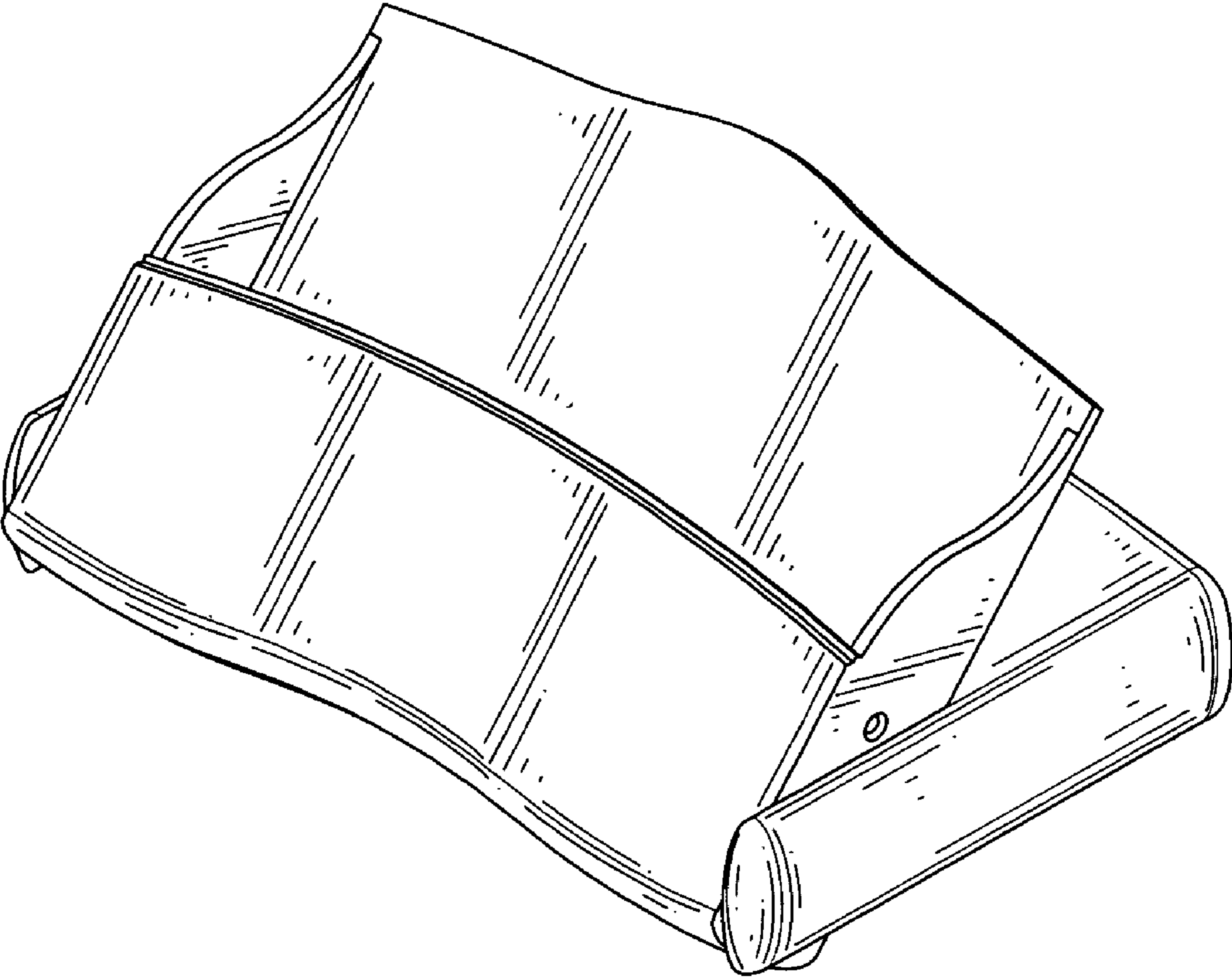


FIG.8