



US00D586114S

(12) **United States Design Patent**  
**Ferguson**

(10) **Patent No.:** **US D586,114 S**

(45) **Date of Patent:** **\*\* Feb. 10, 2009**

(54) **BELT-MOUNTED PAINT HOLDER AND APPLICATOR**

D516,227 S \* 2/2006 Price ..... D25/68

\* cited by examiner

(76) Inventor: **Franklin Ferguson**, P.O. Box 771182,  
Miami, FL (US) 33177

*Primary Examiner*—Catherine R Oliver

(\*\*) Term: **14 Years**

(57) **CLAIM**

(21) Appl. No.: **29/318,901**

I claim, the ornamental design for the belt-mounted paint holder and applicator, as shown and described.

(22) Filed: **May 30, 2008**

**DESCRIPTION**

(51) **LOC (9) Cl.** ..... **03-01**

FIG. 1 is a front elevational view of the belt-mounted paint holder and applicator showing my new design;

(52) **U.S. Cl.** ..... **D3/228**

FIG. 2 is a rear elevational view of the belt-mounted paint holder and applicator thereof;

(58) **Field of Classification Search** ..... D3/228,  
D3/229, 215, 315; D32/53, 53.1, 54; 248/146,  
248/210, 238, 176.1, 311.2; D25/68

FIG. 3 is a left-side elevational view of the belt-mounted paint holder and applicator thereof;

See application file for complete search history.

FIG. 4 is a top plan view of the belt-mounted paint holder and applicator thereof;

(56) **References Cited**

**U.S. PATENT DOCUMENTS**

FIG. 5 is a bottom plan view of the belt-mounted paint holder and applicator thereof; and,

D368,158 S \* 3/1996 Dancyger et al. .... D3/215

FIG. 6 is a perspective view of the belt-mounted paint holder and applicator thereof.

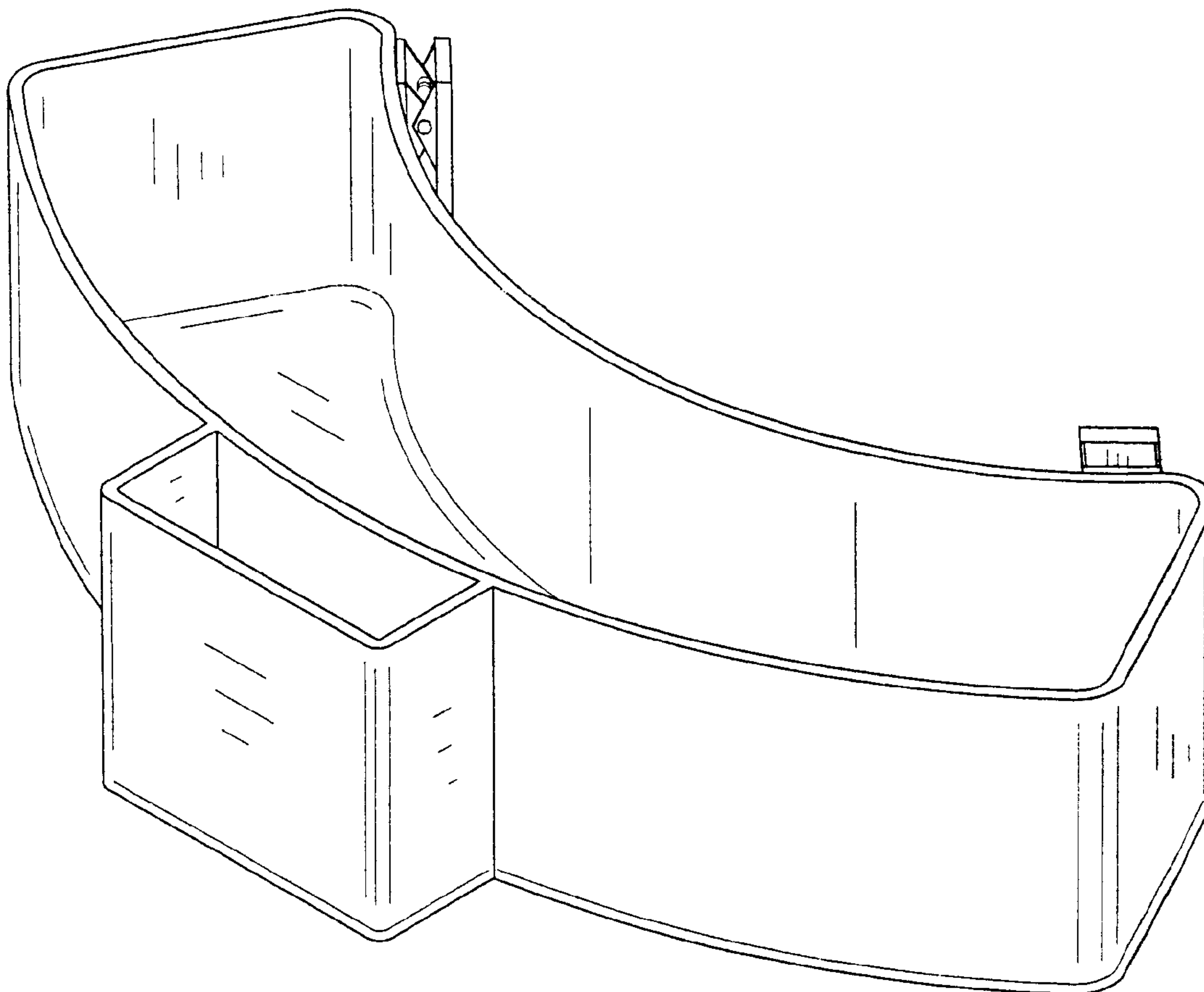
5,813,644 A \* 9/1998 Bergin ..... 248/311.2

D427,771 S \* 7/2000 Trejo ..... D3/315

D431,363 S \* 10/2000 Boyette et al. .... D3/315

D464,484 S \* 10/2002 Landen ..... D3/229

**1 Claim, 3 Drawing Sheets**



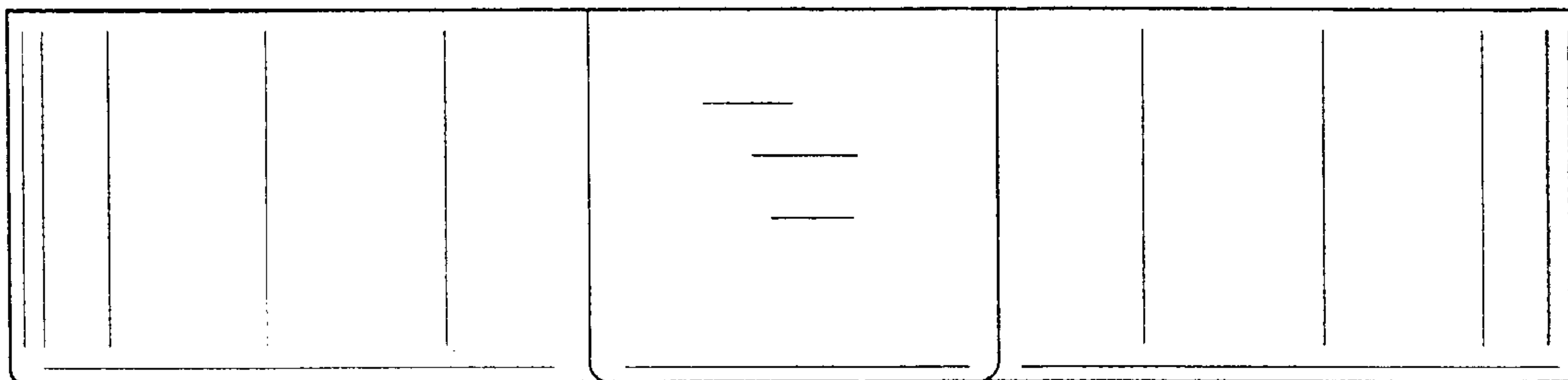


FIG. 1

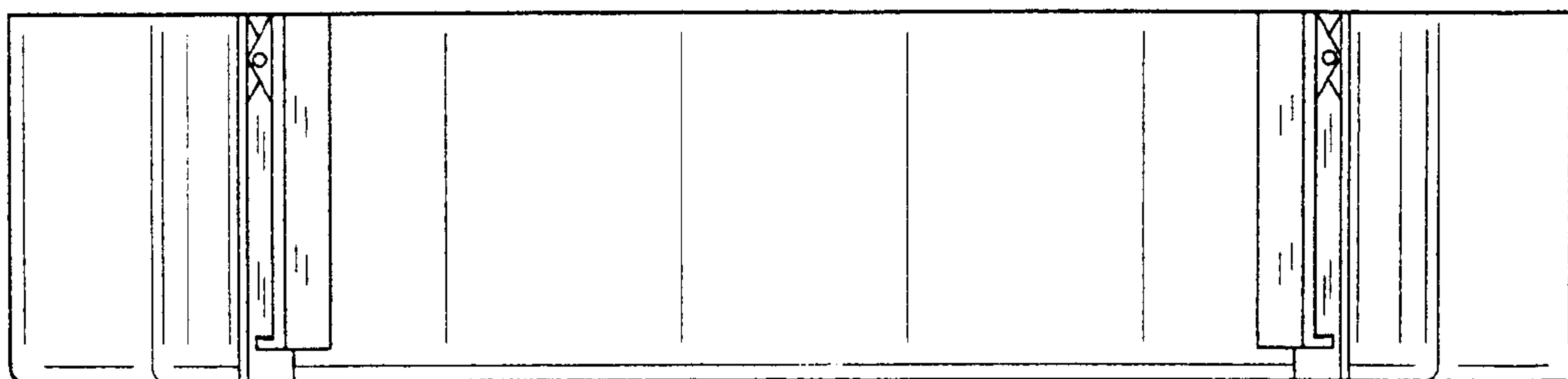


FIG. 2

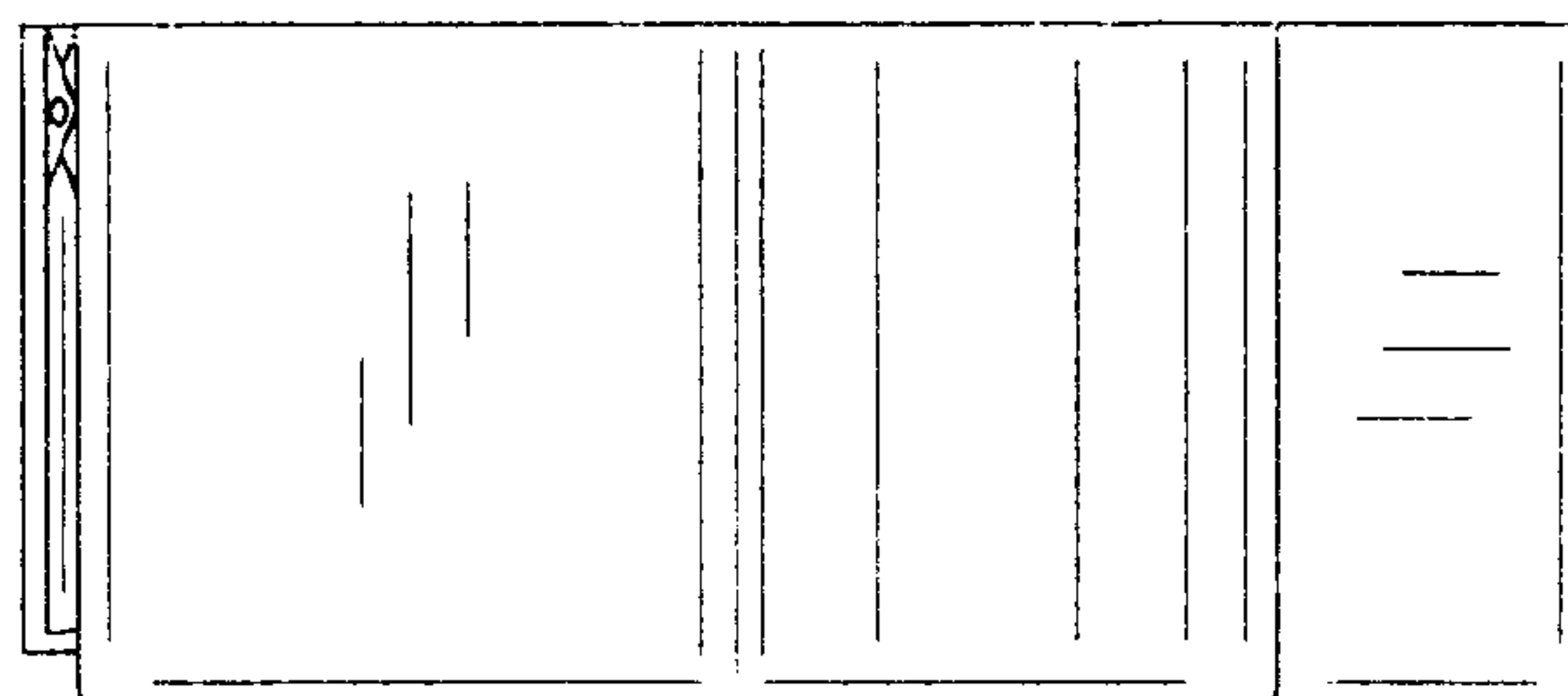


FIG. 3

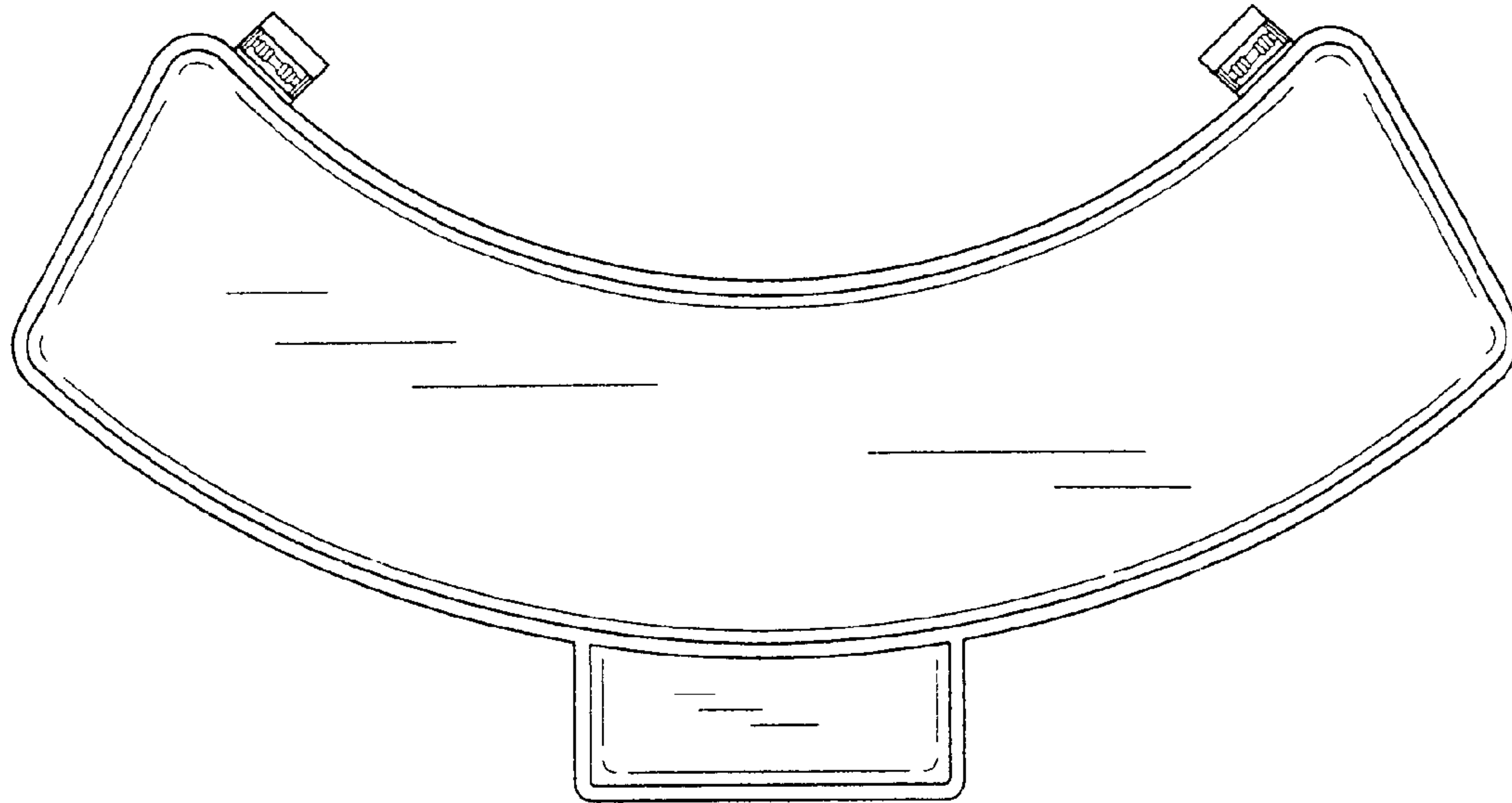


FIG. 4

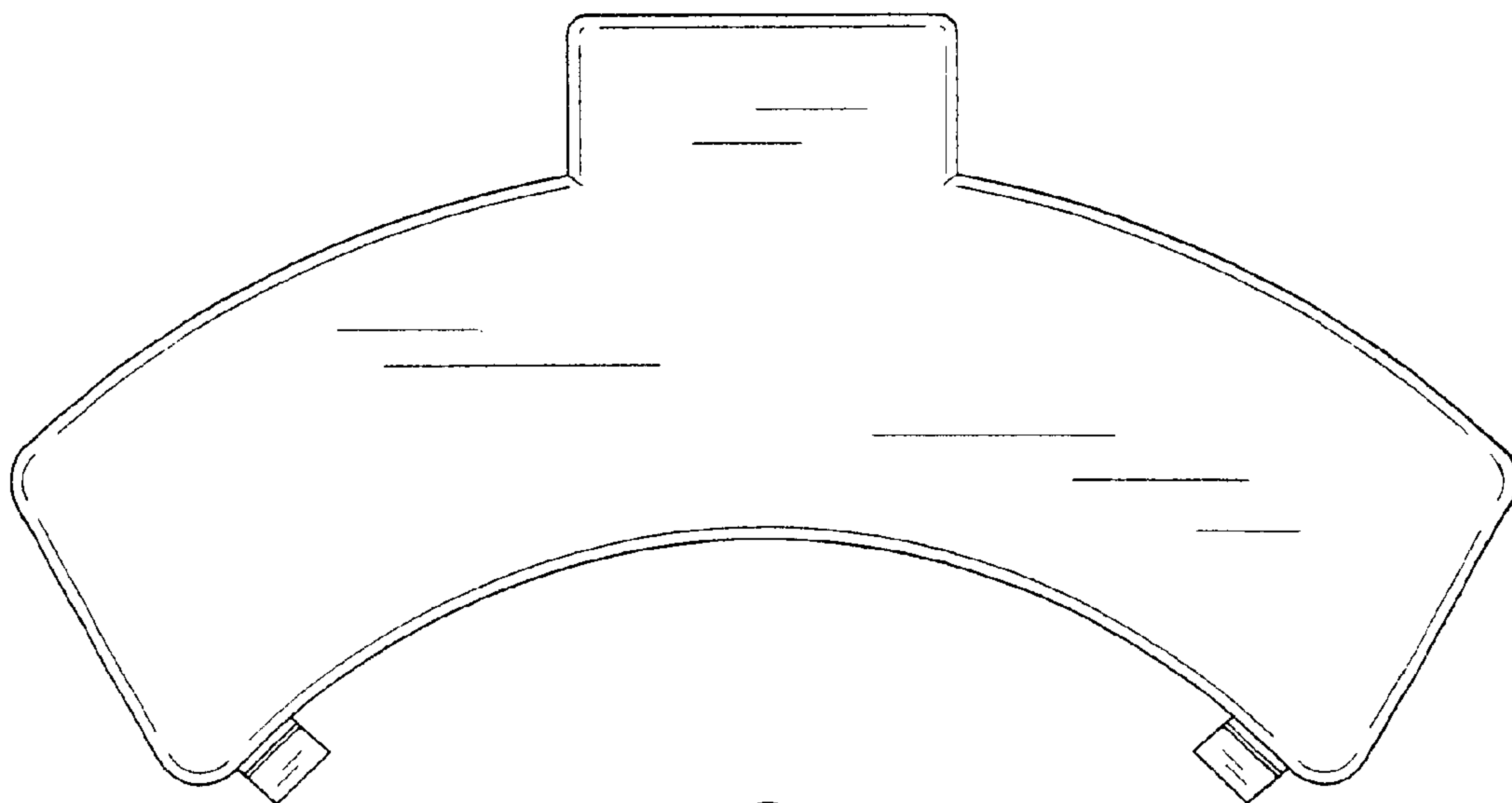


FIG. 5

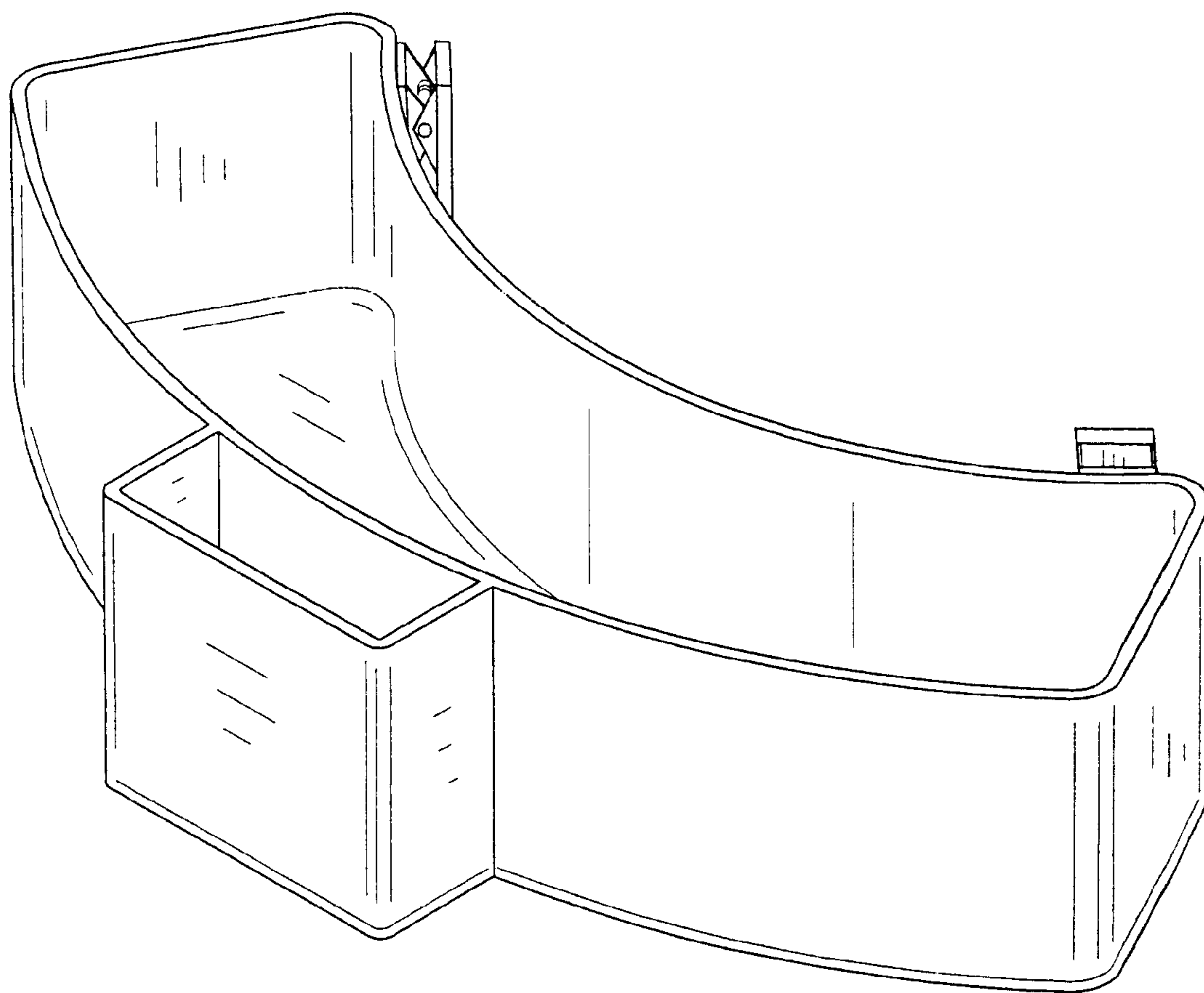


FIG. 6