



US00D586113S

(12) **United States Design Patent**
Katz

(10) **Patent No.:** **US D586,113 S**
(45) **Date of Patent:** **** Feb. 10, 2009**

(54) **SIDEWALL OF A RIBBON-SHAPED PILL BOX**

2002/0139708 A1* 10/2002 Lien 206/534
* cited by examiner

(75) Inventor: **Gerald Ira Katz**, Fort Lauderdale, FL (US)

Primary Examiner—Catherine R Oliver
(74) *Attorney, Agent, or Firm*—Hess Patent Law Firm; Robert Hess

(73) Assignee: **Atico International USA, Inc.**, Ft. Lauderdale, FL (US)

(57) **CLAIM**

(**) Term: **14 Years**

The ornamental design for a sidewall of a ribbon-shaped pill box, as shown and described.

(21) Appl. No.: **29/323,030**

(22) Filed: **Aug. 15, 2008**

DESCRIPTION

(51) **LOC (9) Cl.** **03-01**

FIG. 1 is a side, isometric view of a sidewall of a ribbon-shaped pill box showing my new design;

(52) **U.S. Cl.** **D3/203.3**

FIG. 2 is a top plan view thereof;

(58) **Field of Classification Search** D3/203.3,
D3/203.2, 203.4, 201, 205; D9/730–732;
206/530–538; D11/66

FIG. 3 is a bottom plan view thereof;

FIG. 4 is a left side view thereof;

FIG. 5 is a right side view thereof;

FIG. 6 is a front view thereof; and,

FIG. 7 is a rear view thereof.

See application file for complete search history.

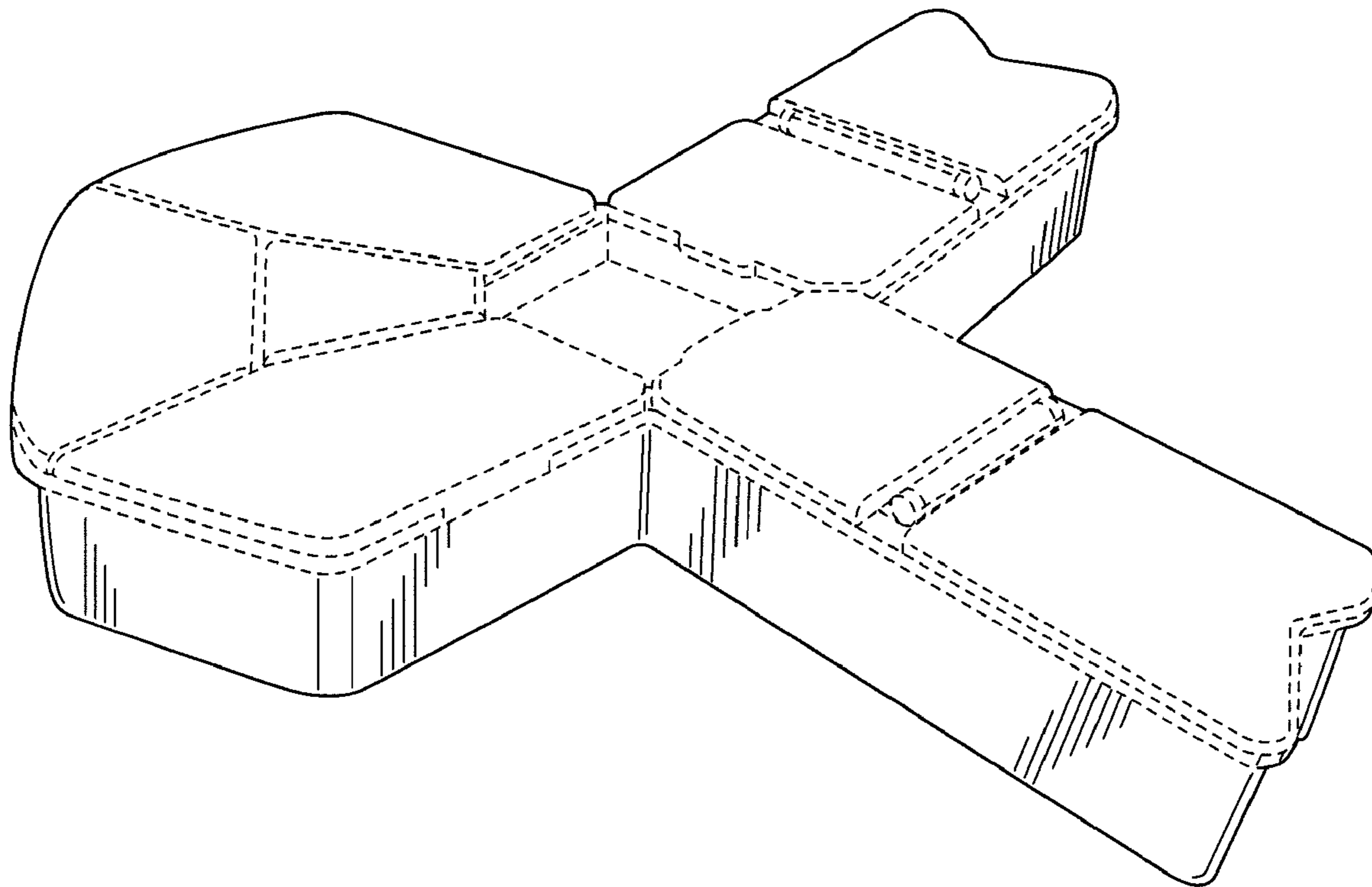
That which is depicted in solid lines in the drawings represent the claimed invention and that which is depicted in broken lines forms no part of the claimed invention.

(56) **References Cited**

U.S. PATENT DOCUMENTS

- D337,725 S * 7/1993 Bunin D3/203.3
- D466,801 S * 12/2002 Holland D3/203.3
- D525,897 S * 8/2006 Raiman D11/66
- D544,202 S * 6/2007 Markfelder D3/203.3

1 Claim, 3 Drawing Sheets



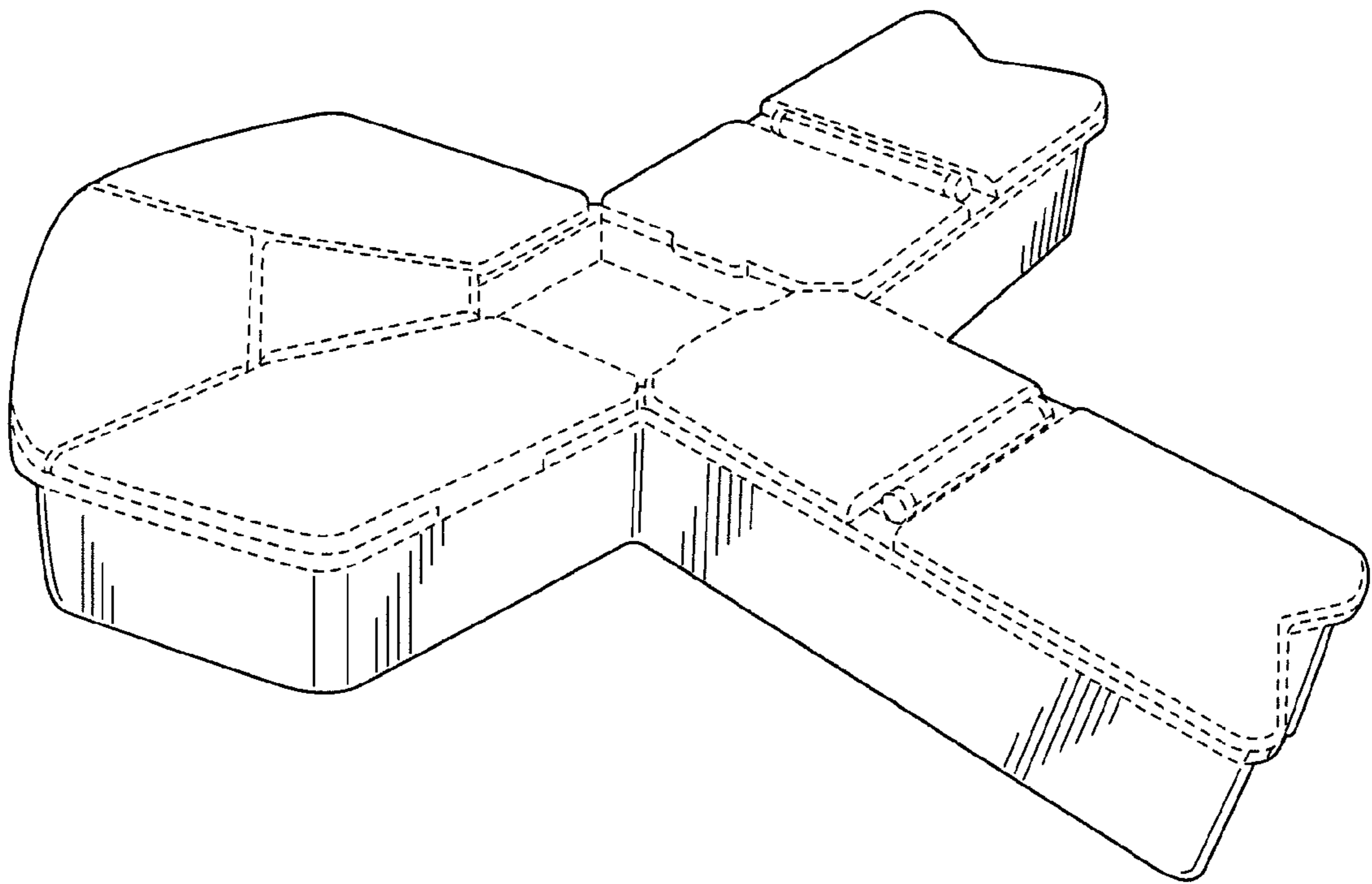


FIG. 1

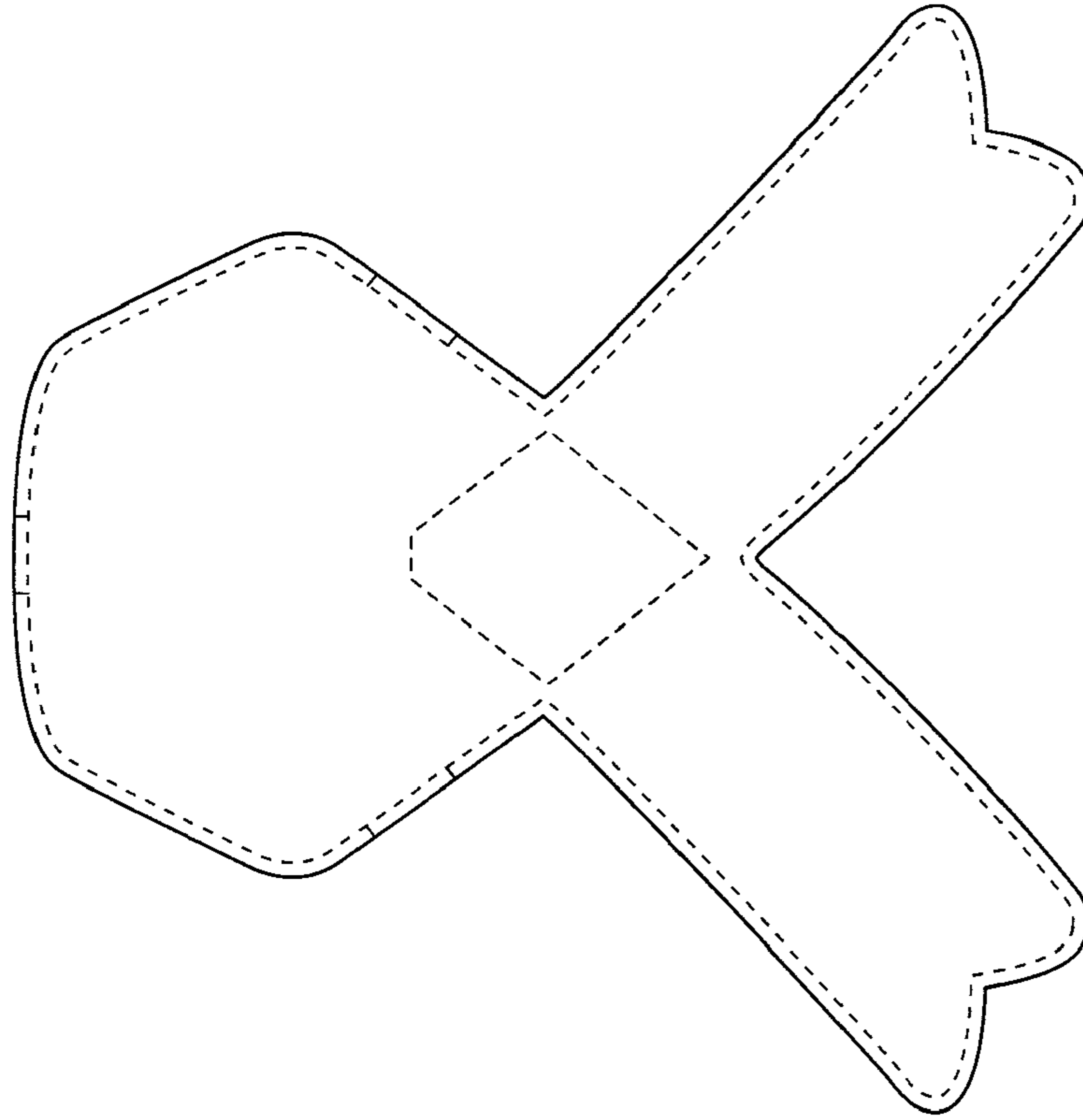


FIG. 2

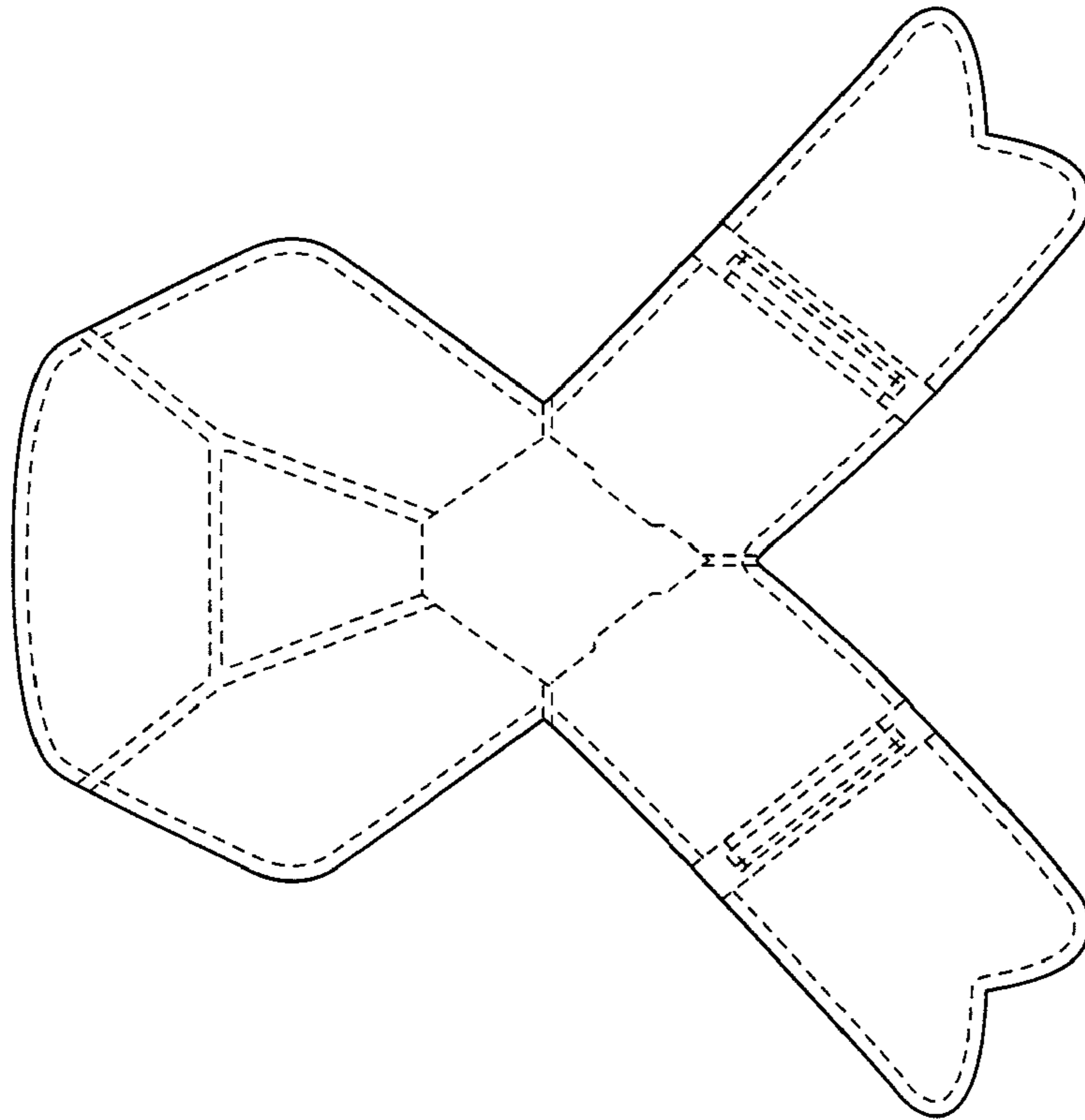


FIG. 3

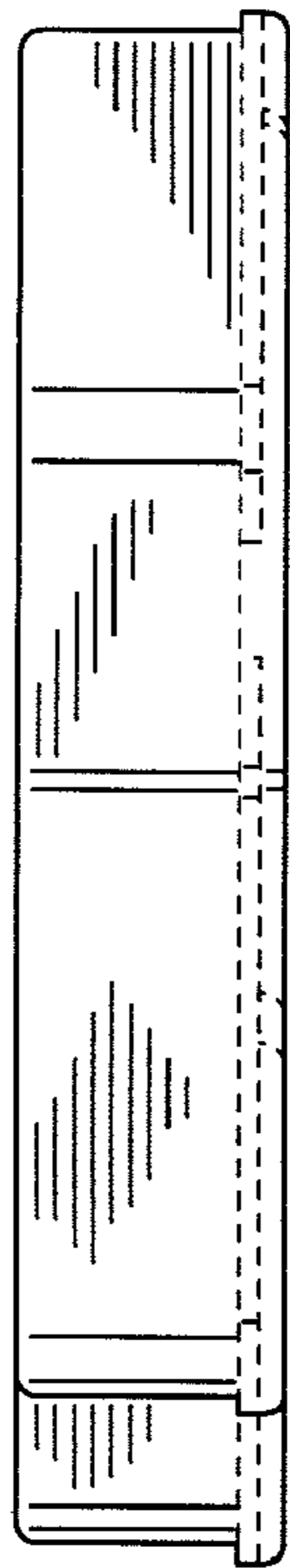


FIG. 4

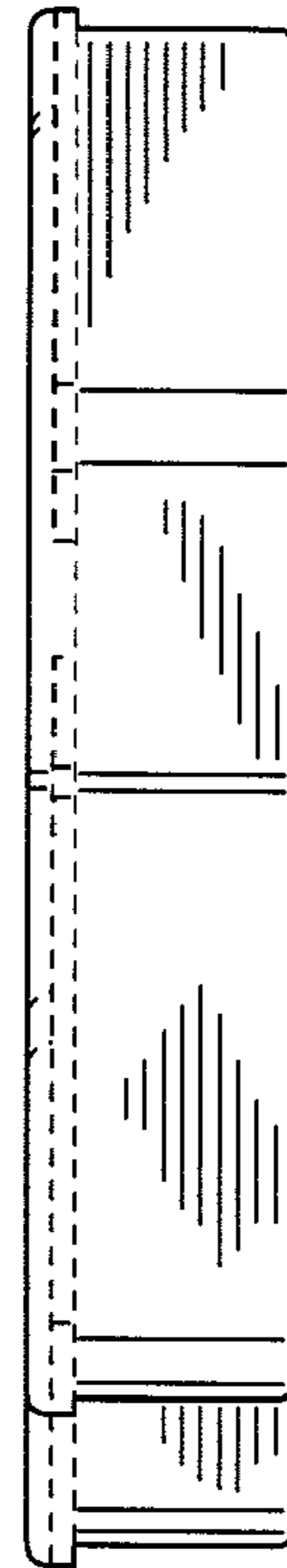


FIG. 5

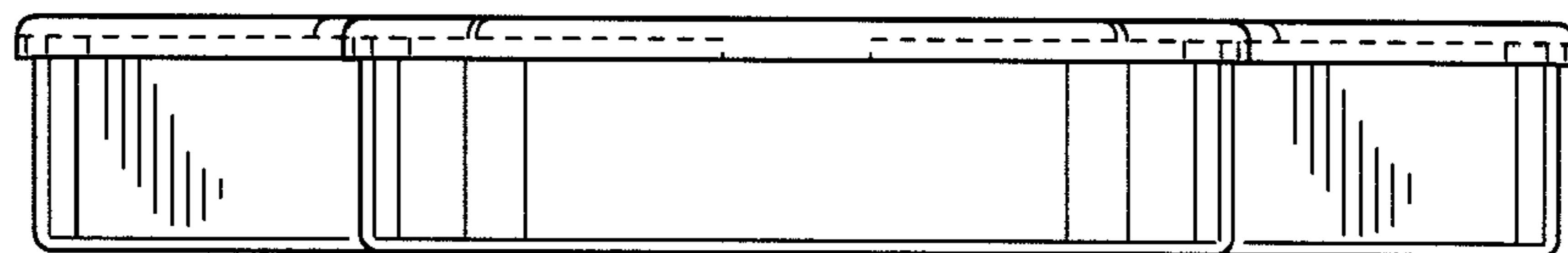


FIG. 6

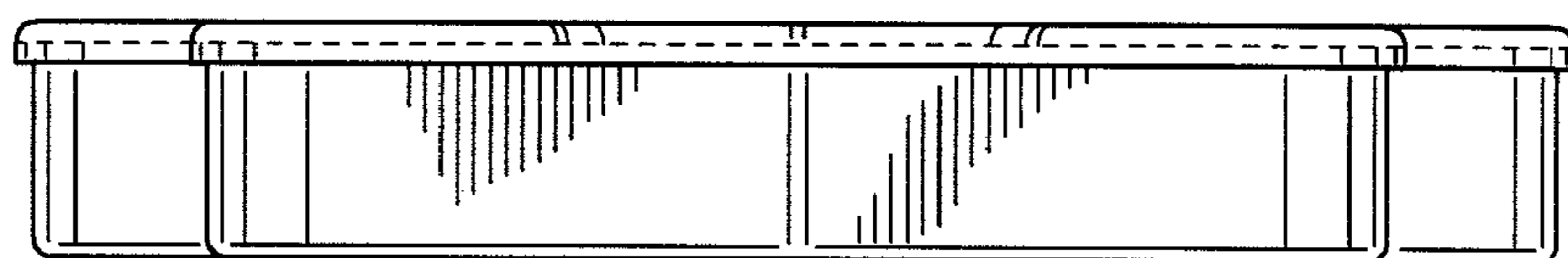


FIG. 7