



US00D586112S

(12) **United States Design Patent**
Kenny

(10) **Patent No.:** **US D586,112 S**
(45) **Date of Patent:** **** Feb. 10, 2009**

(54) **TRAVEL CONTAINER FOR POWDERED SUBSTANCES**

D476,886 S 7/2003 Christianson
D484,684 S 1/2004 Eldon, III et al.

(75) Inventor: **Gregory J. Kenny**, Wakefield, MA (US)

Primary Examiner—Catherine R Oliver
(74) *Attorney, Agent, or Firm*—Michael Best & Friedrich LLP

(73) Assignee: **The First Years Inc.**, Stoughton, MA (US)

(57) **CLAIM**

(**) Term: **14 Years**

I claim the ornamental design for a travel container for powdered substances, as shown and described.

(21) Appl. No.: **29/306,332**

(22) Filed: **Apr. 7, 2008**

DESCRIPTION

Related U.S. Application Data

(63) Continuation of application No. 29/277,089, filed on Feb. 13, 2007, now Pat. No. Des. 568,604, which is a continuation of application No. 29/251,433, filed on Jan. 5, 2006, now Pat. No. Des. 544,704.

FIG. 1 is a perspective view of the travel container for powdered substances showing my new design;

FIG. 2 is right side perspective view thereof;

FIG. 3 is a right side perspective view thereof;

FIG. 4 is a right side view thereof;

FIG. 5 is a left side view thereof;

FIG. 6 is a rear view thereof;

FIG. 7 is a front view thereof;

FIG. 8 is a top view thereof; and,

FIG. 9 is a bottom view.

(51) **LOC (9) Cl.** **03-01**

(52) **U.S. Cl.** **D3/203.1**

(58) **Field of Classification Search** D3/203.1,
D3/203.2, 203.3, 203.4, 203.5, 201–202,
D3/205, 294; D9/422, 416, 418; 206/528–540;
D28/78–83

See application file for complete search history.

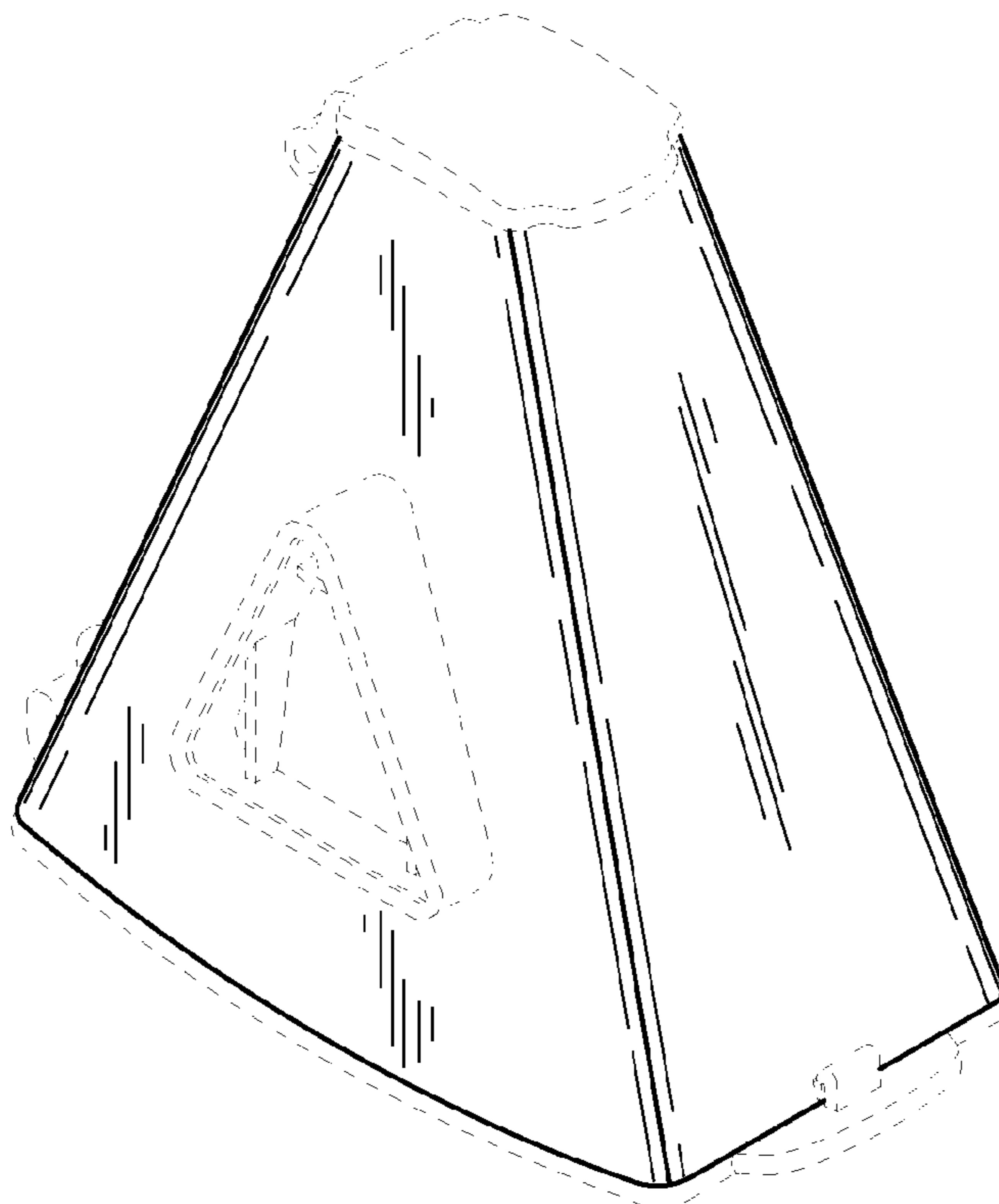
The present application is directed to the shape and contour of the design illustrated in the drawings. The broken line showing of the shoulder position device is for the purpose of illustrating environmental structure and forms no part of the claimed design.

(56) **References Cited**

U.S. PATENT DOCUMENTS

D445,563 S 7/2001 Cautereels

1 Claim, 4 Drawing Sheets



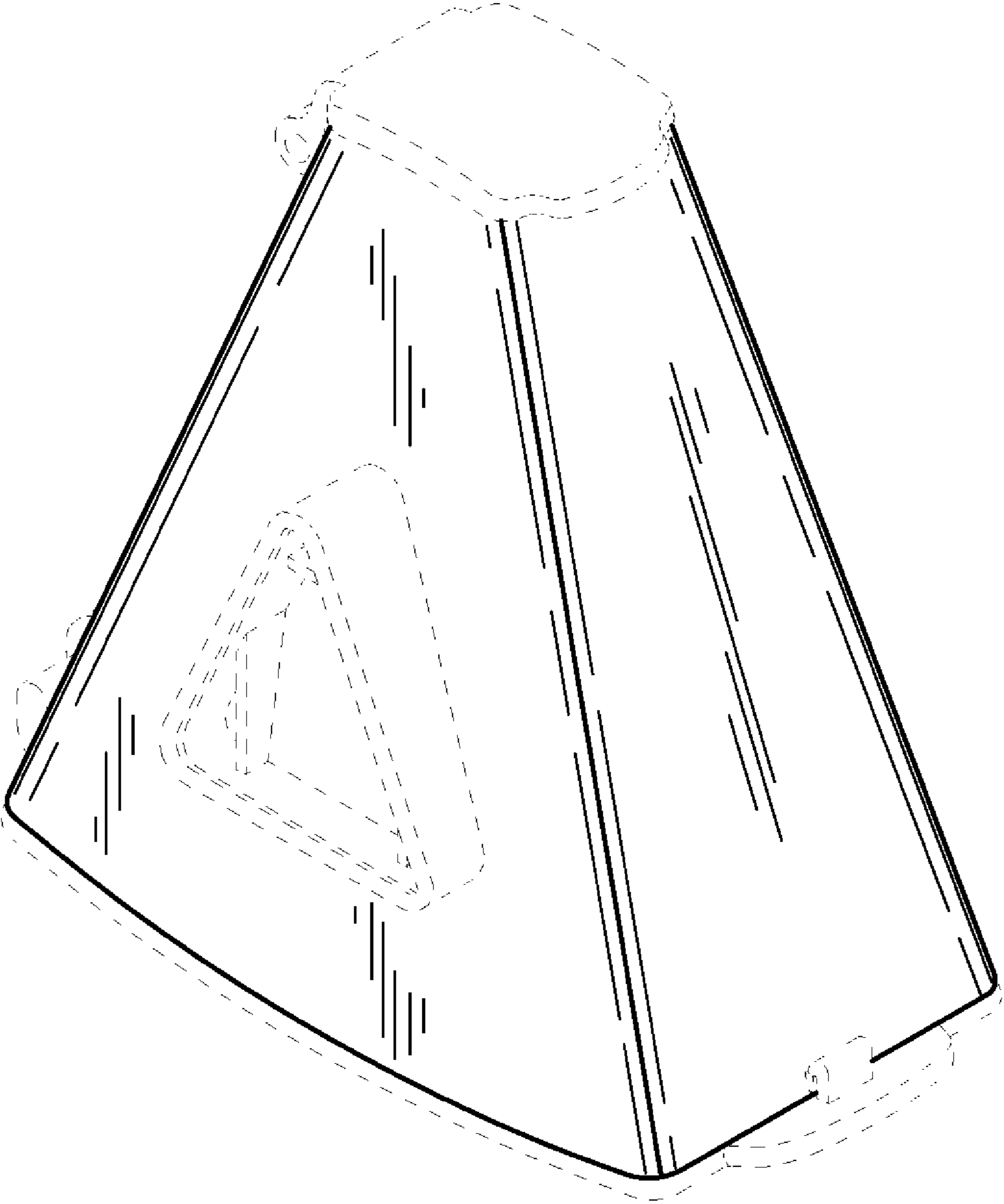


FIG. 1

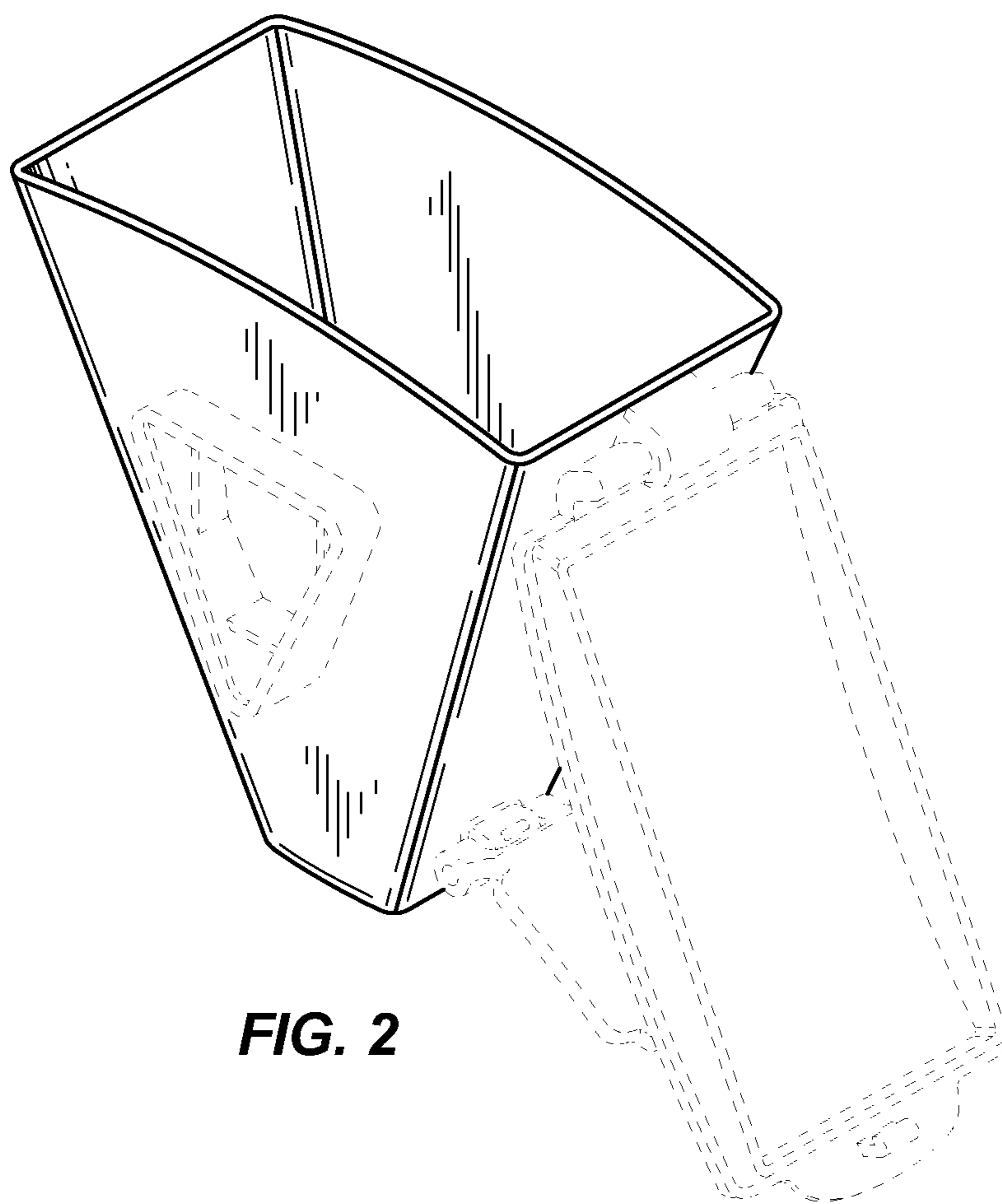


FIG. 2

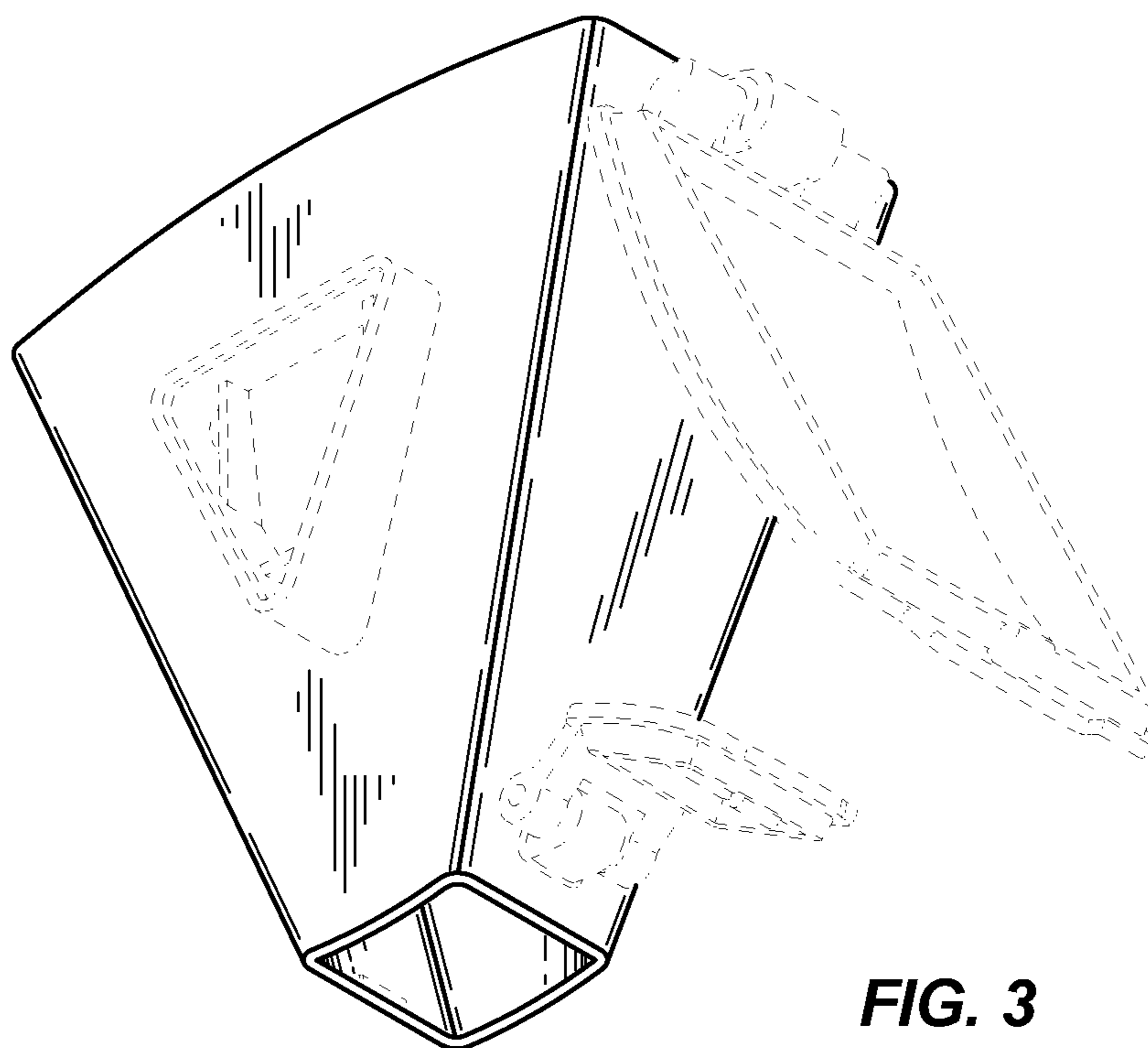


FIG. 3

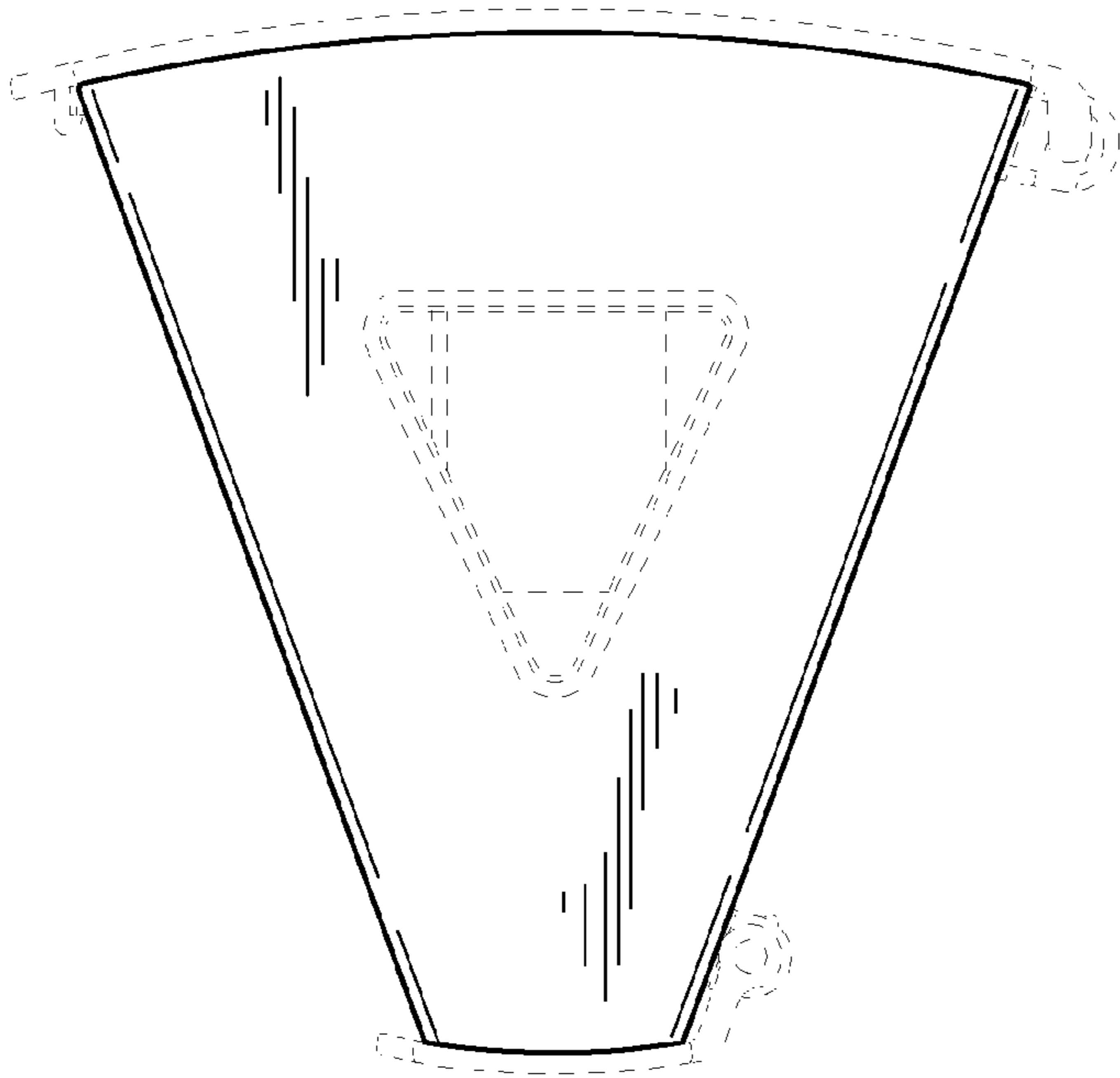


FIG. 4

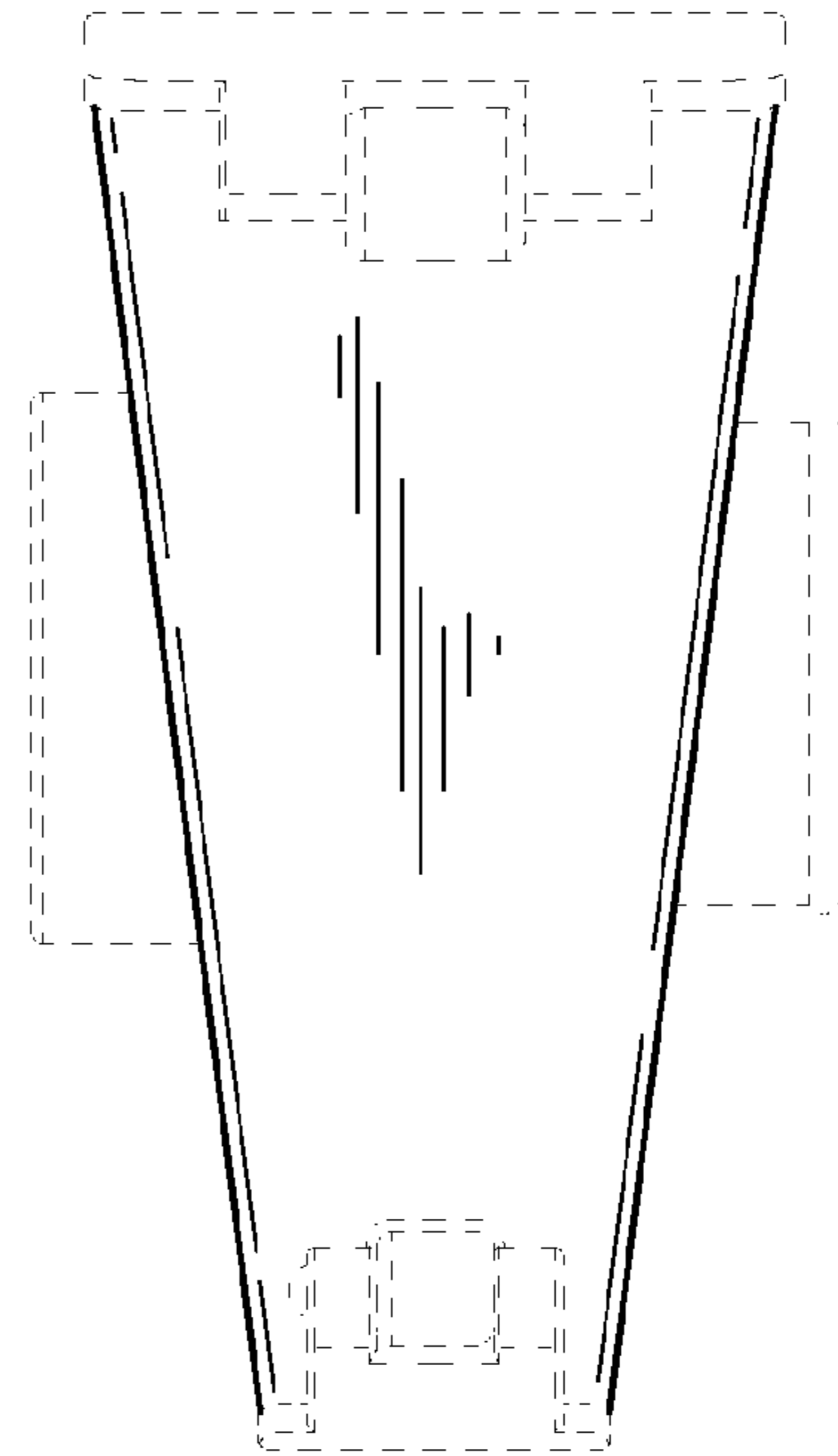


FIG. 6

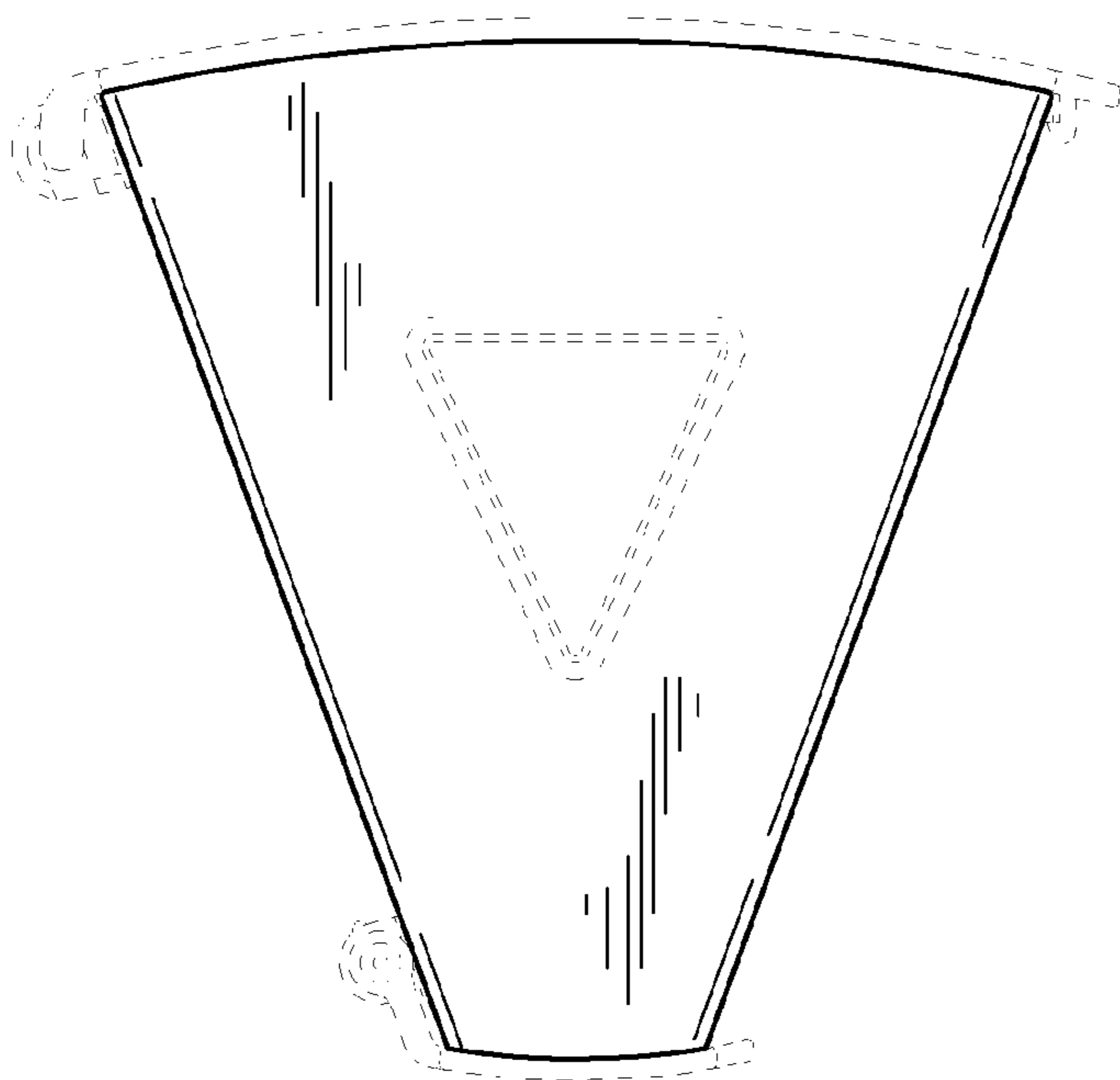


FIG. 5

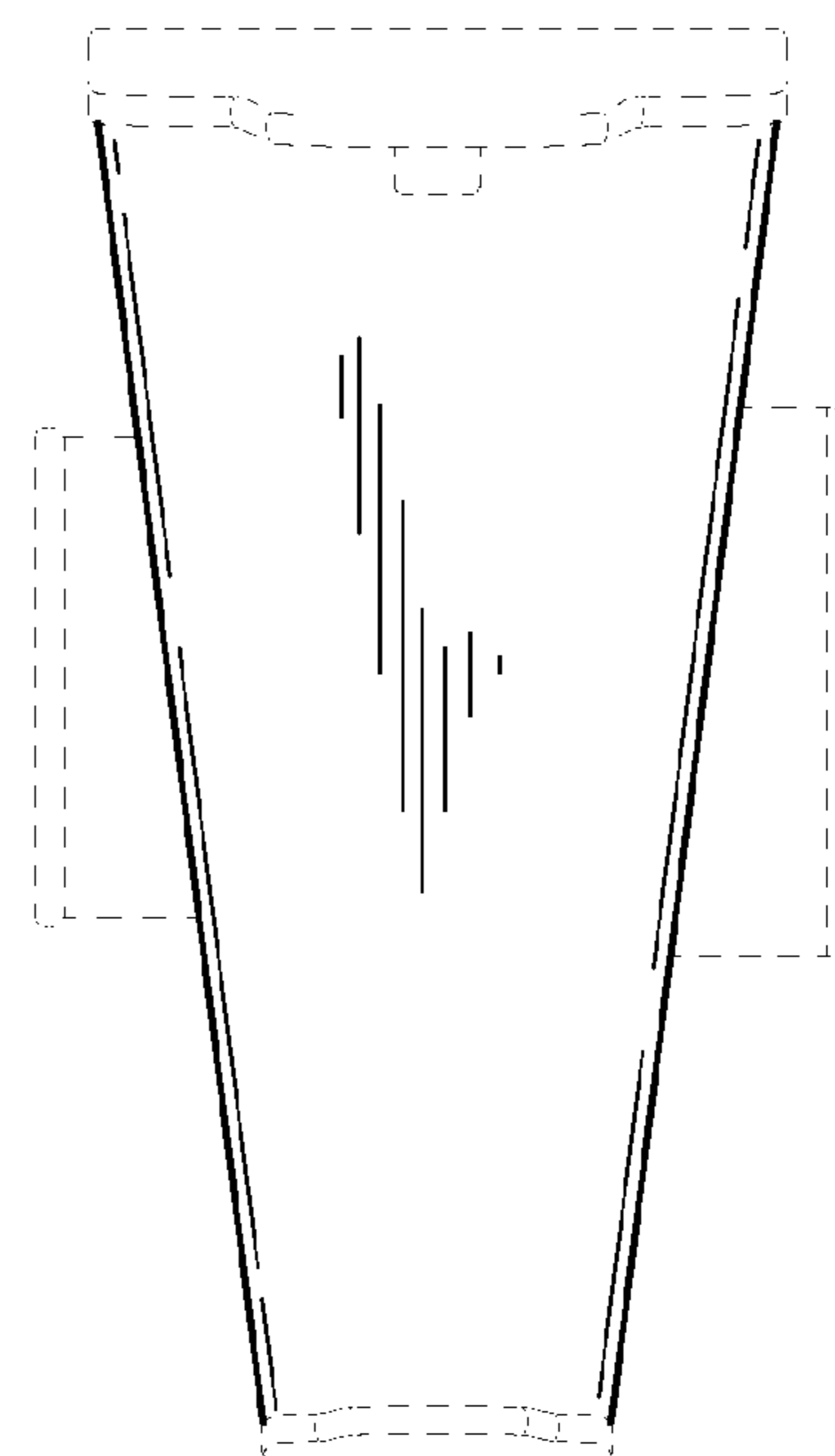


FIG. 7

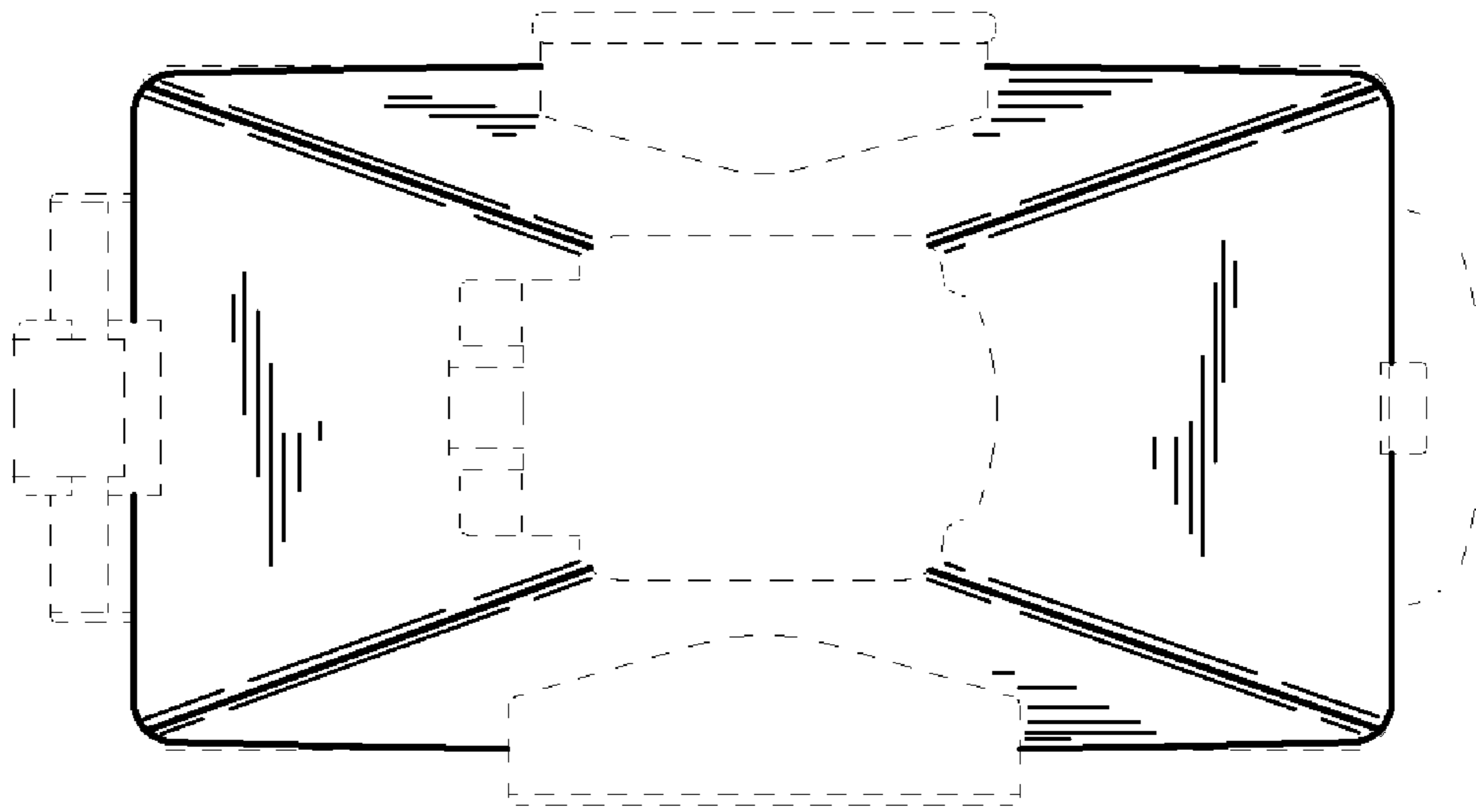


FIG. 8

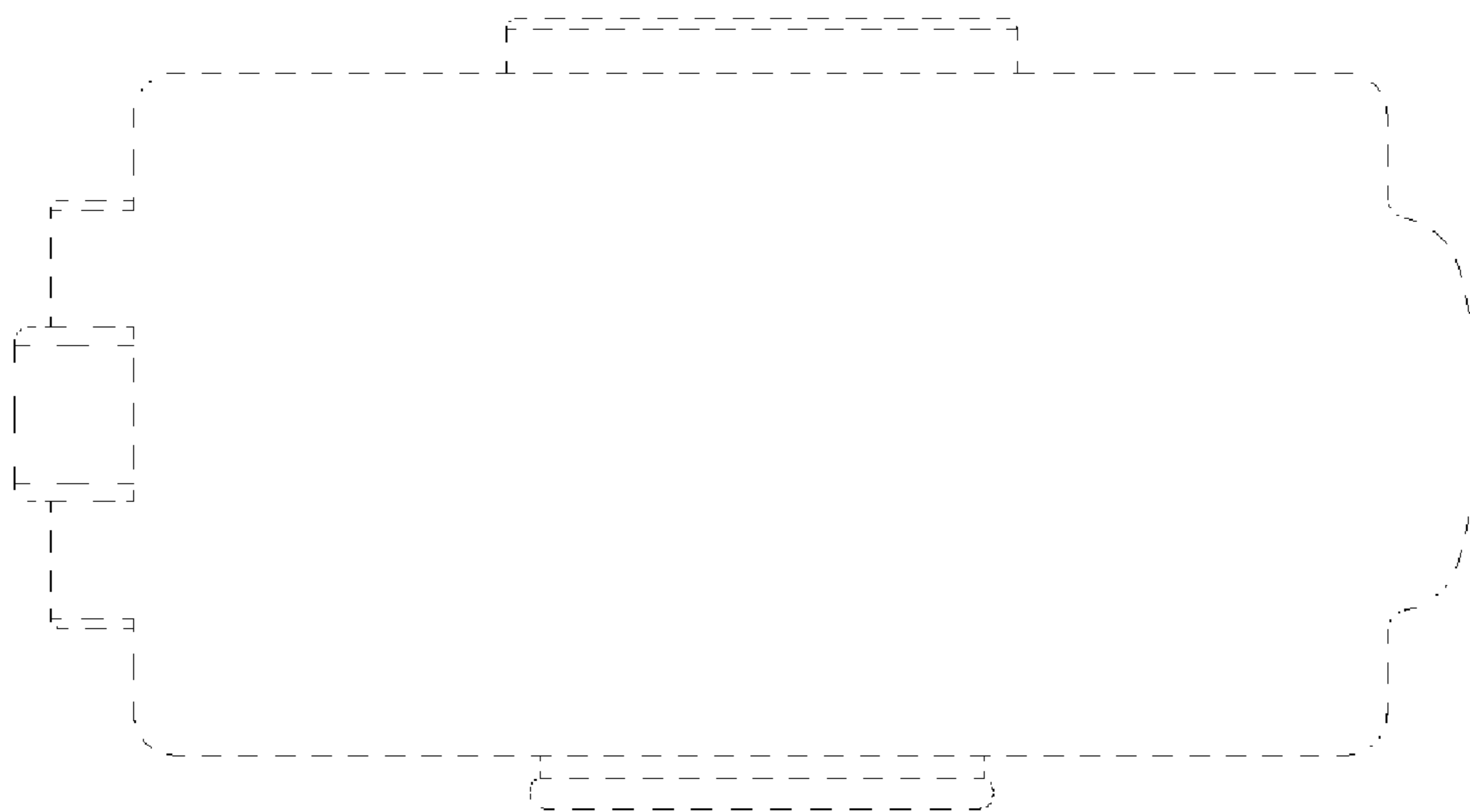


FIG. 9