



US00D586086S

(12) **United States Design Patent**  
**Van Rooy et al.**

(10) **Patent No.:** **US D586,086 S**  
(45) **Date of Patent:** **\*\* Feb. 10, 2009**

(54) **ATHLETIC JERSEY-STYLED DRESS SHIRT**

(76) Inventors: **Carl T. Van Rooy**, 3721 Idlewood Pkwy., Apt. 2007, Indianapolis, IN (US) 46214; **Chaz C. Gleghorn**, 5450 E. 40<sup>th</sup> St., Indianapolis, IN (US) 46226

(\*\*) Term: **14 Years**

(21) Appl. No.: **29/281,022**

(22) Filed: **Jun. 13, 2007**

(51) **LOC (9) Cl.** ..... **02-02**

(52) **U.S. Cl.** ..... **D2/756**

(58) **Field of Classification Search** ..... D2/717,  
D2/756, 840, 847-849; 2/113, 115-116,  
2/122-123, 125, 128, 131

See application file for complete search history.

(56) **References Cited**

U.S. PATENT DOCUMENTS

|           |      |        |              |       |        |
|-----------|------|--------|--------------|-------|--------|
| 2,131,220 | A *  | 9/1938 | Coverman     | ..... | 2/122  |
| D158,416  | S *  | 5/1950 | Spector      | ..... | D2/848 |
| D159,155  | S *  | 6/1950 | Kelly et al. | ..... | D2/700 |
| D159,156  | S *  | 6/1950 | Kelly et al. | ..... | D2/700 |
| D199,174  | S *  | 9/1964 | Lesavoy      | ..... | D2/858 |
| 6,182,292 | B1 * | 2/2001 | Knoll        | ..... | 2/115  |
| 6,868,556 | B1 * | 3/2005 | Jenkins      | ..... | 2/77   |

\* cited by examiner

*Primary Examiner*—Ian Simmons  
*Assistant Examiner*—Anna J Burmeister

(57) **CLAIM**

The ornamental design for an athletic jersey-styled dress shirt, as shown and described.

**DESCRIPTION**

FIG. 1 is a front elevational view of Embodiment 1, of an athletic jersey-styled dress shirt, showing our new design;

FIG. 2 is a rear elevational view thereof;

FIG. 3 is a front elevational view thereof;

FIG. 4 is a rear elevational view thereof;

FIG. 5 is a front elevational view of Embodiment 2, of an athletic jersey-styled dress shirt, showing our new design;

FIG. 6 is a rear elevational view thereof;

FIG. 7 is a front elevational view thereof;

FIG. 8 is a rear elevational view thereof;

FIG. 9 is a front elevational view of Embodiment 3, of an athletic jersey-styled dress shirt, showing our new design;

FIG. 10 is a rear elevational view thereof;

FIG. 11 is a front elevational view thereof;

FIG. 12 is a rear elevational view thereof;

FIG. 13 is a front elevational view of Embodiment 4, of an athletic jersey-styled dress shirt, showing our new design;

FIG. 14 is a rear elevational view thereof;

FIG. 15 is a front elevational view thereof;

FIG. 16 is a rear elevational view thereof;

FIG. 17 is a front elevational view of Embodiment 5, of an athletic jersey-styled dress shirt, showing our new design;

FIG. 18 is a rear elevational view thereof;

FIG. 19 is a front elevational view thereof;

FIG. 20 is a rear elevational view thereof;

FIG. 21 is a front elevational view of Embodiment 6, of an athletic jersey-styled dress shirt, showing our new design;

FIG. 22 is a rear elevational view thereof;

FIG. 23 is a front elevational view thereof;

FIG. 24 is a rear elevational view thereof;

FIG. 25 is a front elevational view of Embodiment 7, of an athletic jersey-styled dress shirt, showing our new design;

FIG. 26 is a rear elevational view thereof;

FIG. 27 is a front elevational view thereof;

FIG. 28 is a rear elevational view thereof;

FIG. 29 is a front elevational view of Embodiment 8, of an athletic jersey-styled dress shirt, showing our new design;

FIG. 30 is a rear elevational view thereof;

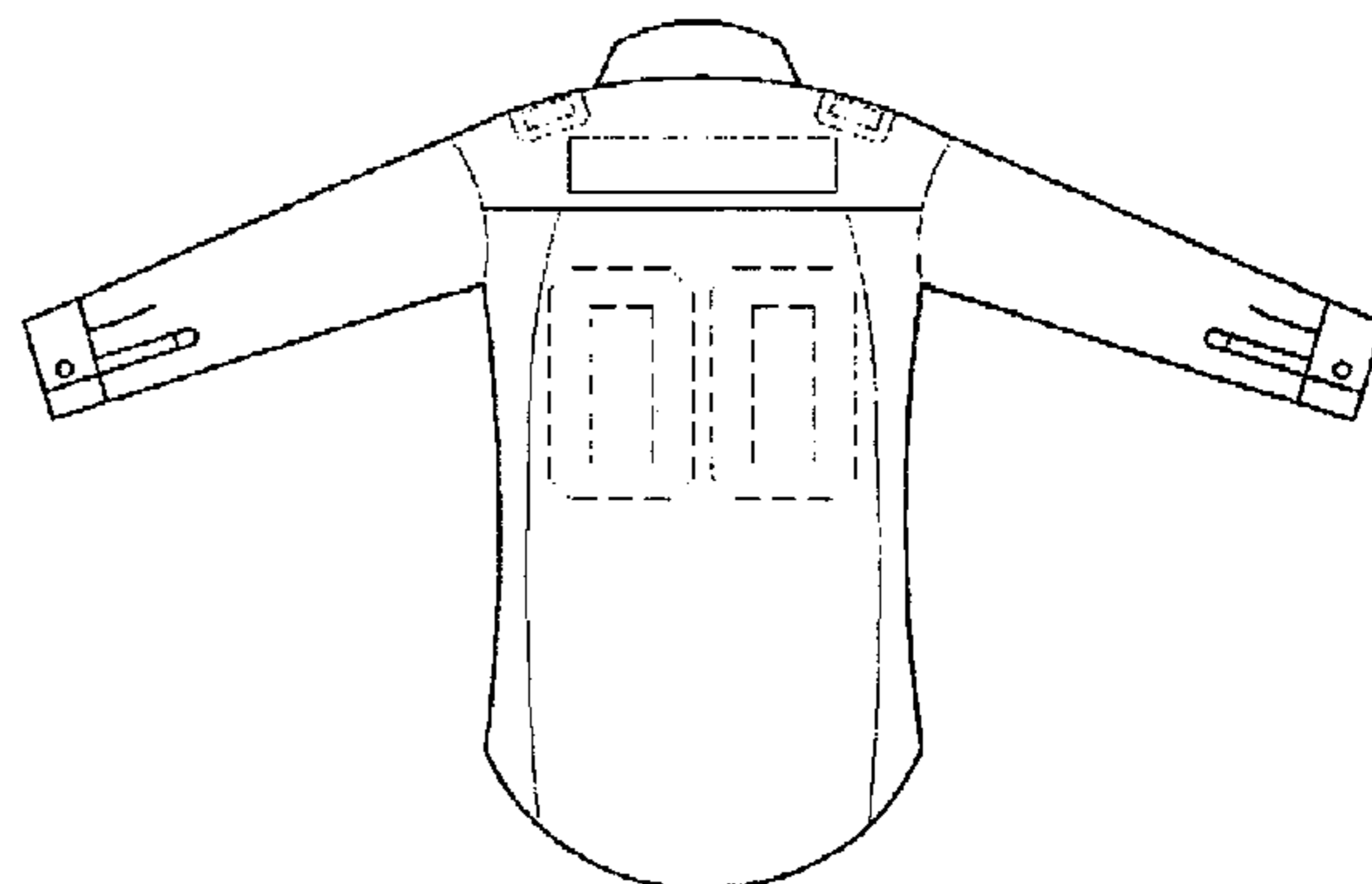
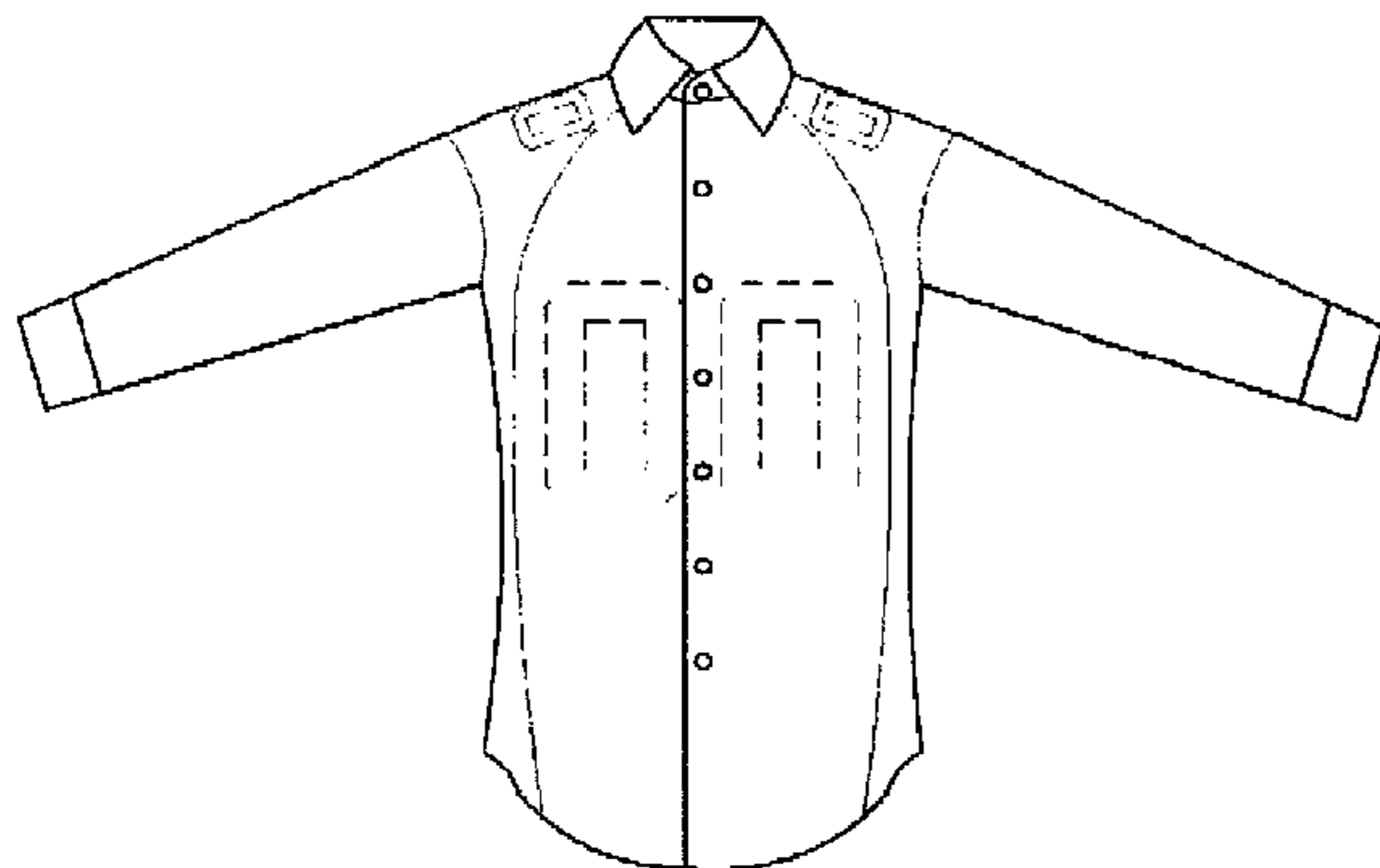


FIG. **31** is a front elevational view thereof;  
FIG. **32** is a rear elevational view thereof;  
FIG. **33** is a front elevational view of Embodiment **9**, of an athletic jersey-styled dress shirt, showing our new design;  
FIG. **34** is a rear elevational view thereof;  
FIG. **35** is a front elevational view thereof;  
FIG. **36** is a rear elevational view thereof;  
FIG. **37** is a front elevational view of Embodiment **10**, of an athletic jersey-styled dress shirt, showing our new design;  
FIG. **38** is a rear elevational view thereof;  
FIG. **39** is a front elevational view thereof;

FIG. **40** is a rear elevational view thereof;  
FIG. **41** is a front elevational view of Embodiment **11**, of an athletic jersey-styled dress shirt, showing our new design;  
FIG. **42** is a rear elevational view thereof;  
FIG. **43** is a front elevational view thereof; and,  
FIG. **44** is a rear elevational view thereof.  
The broken lines showing the number **00** throughout the drawings are merely illustrative, and are not exclusive, of the body of numbers which may be used.

**1 Claim, 22 Drawing Sheets**

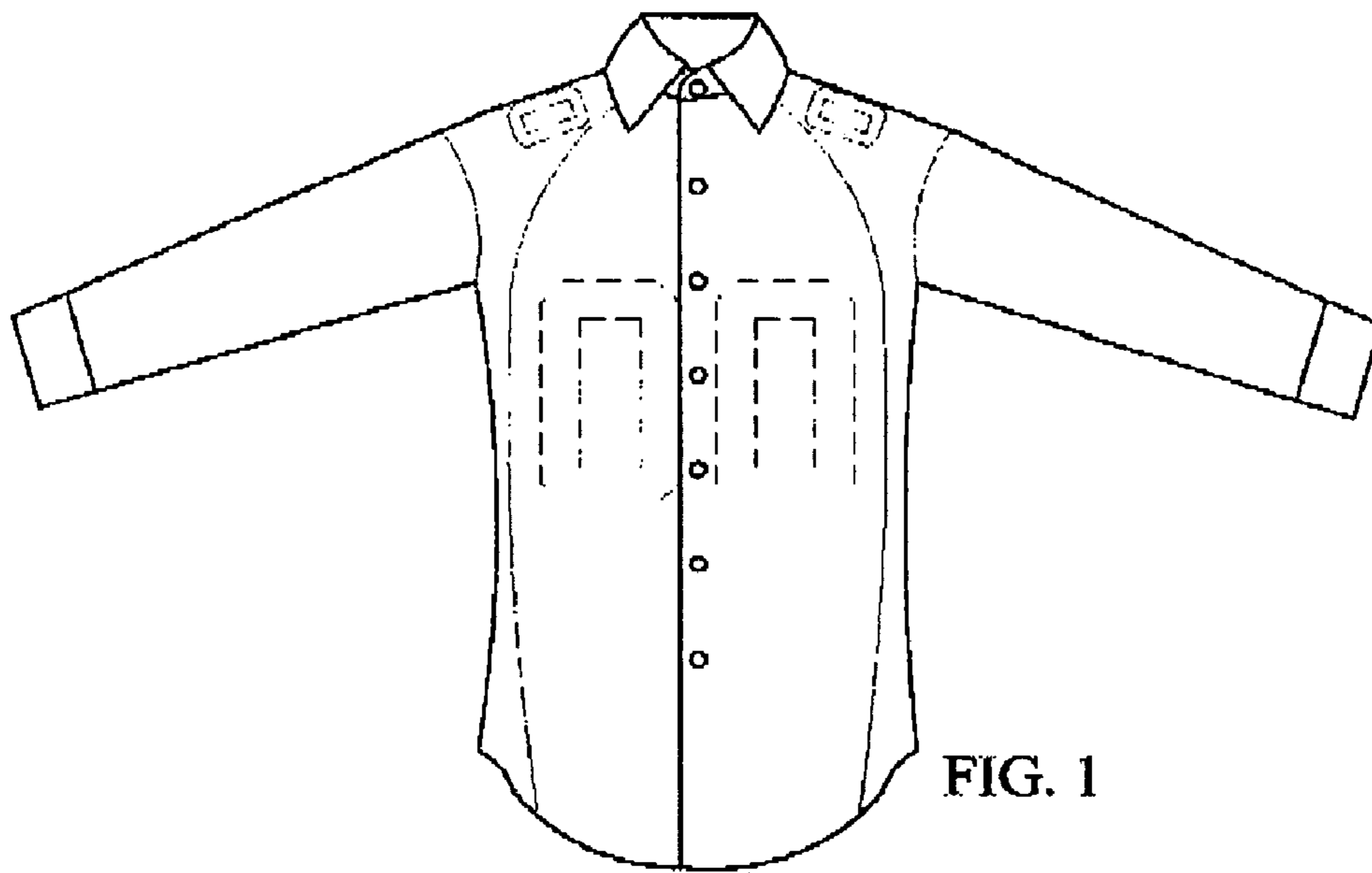


FIG. 1

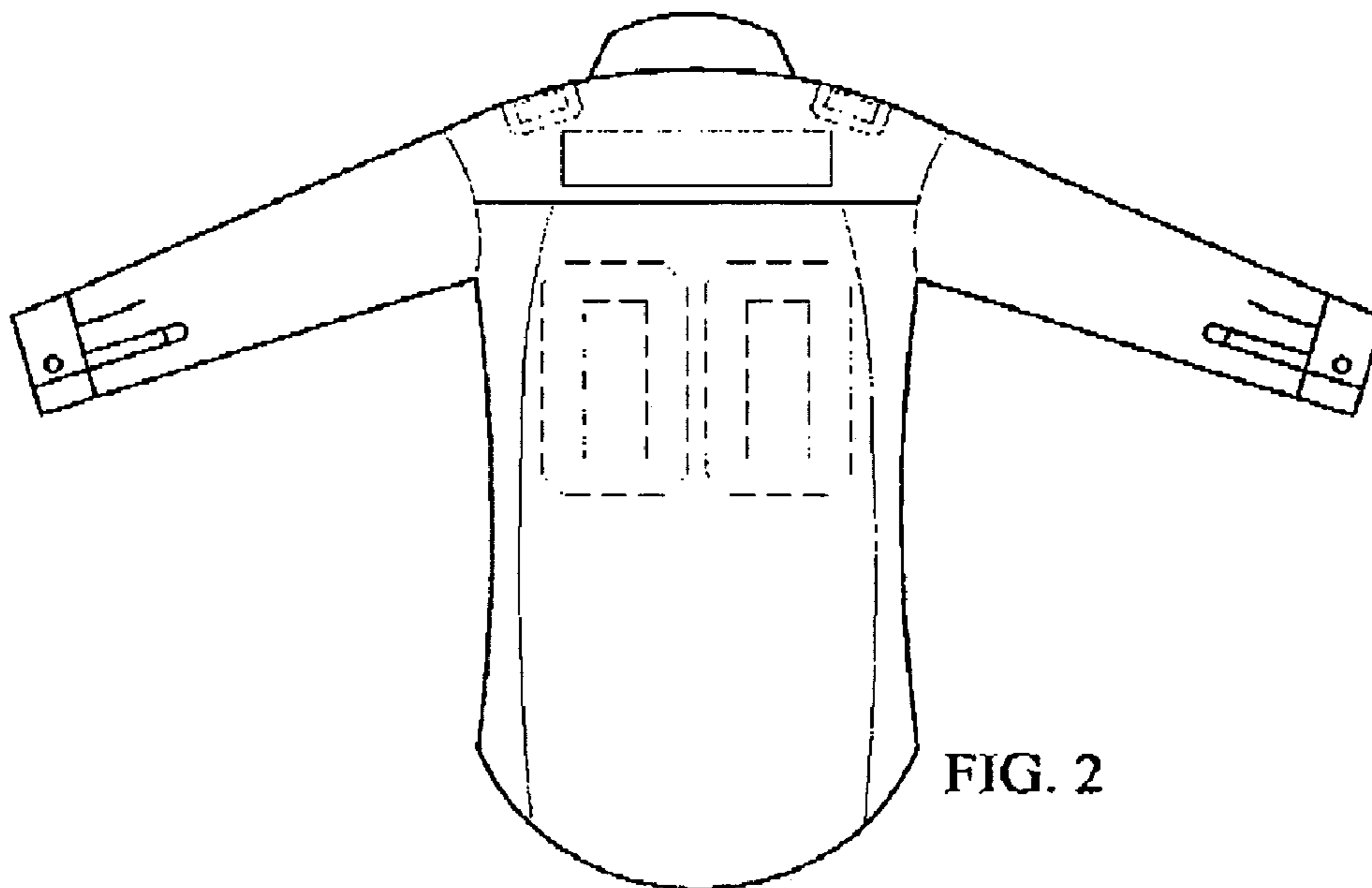


FIG. 2



FIG. 3

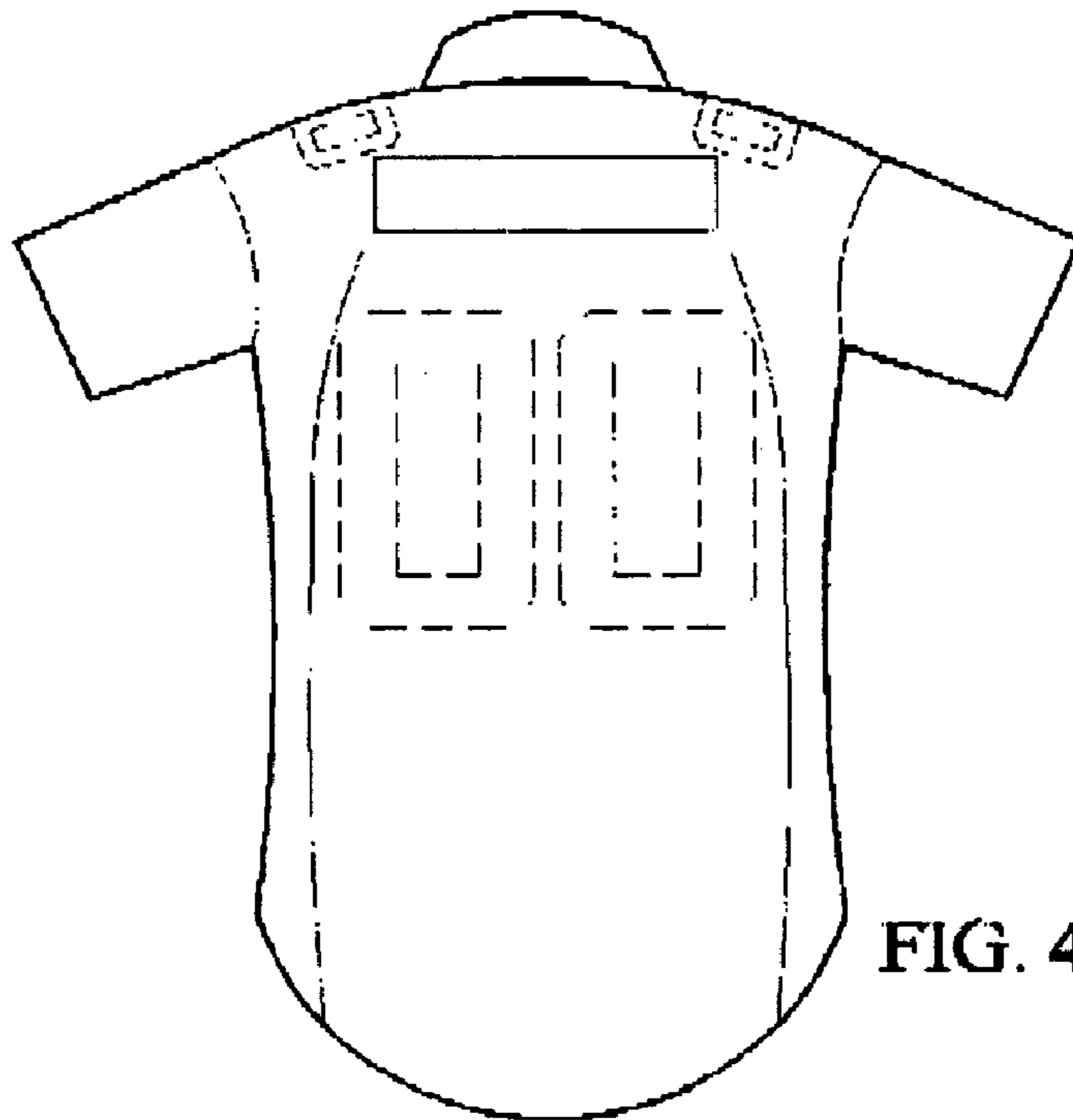


FIG. 4

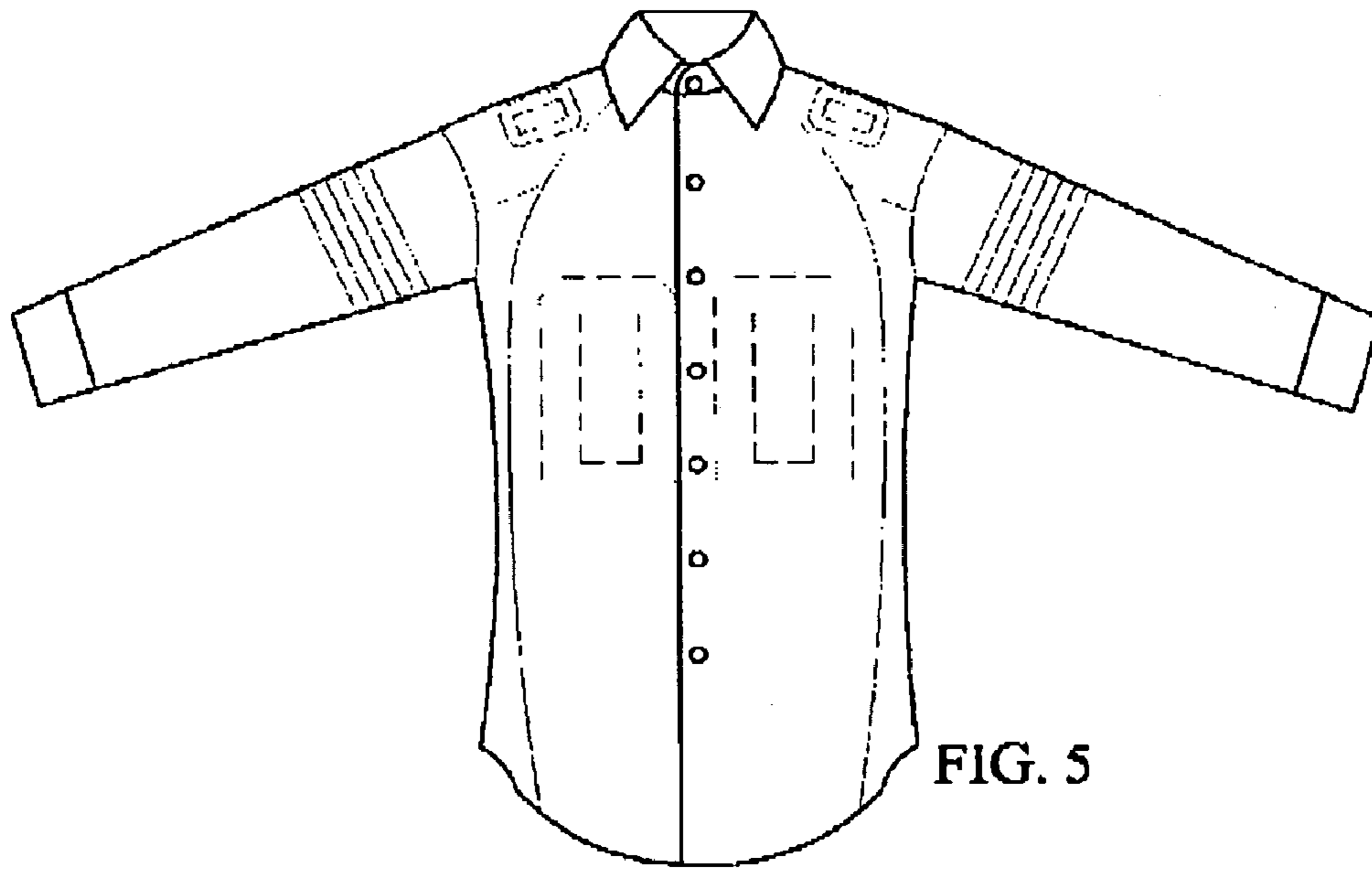


FIG. 5

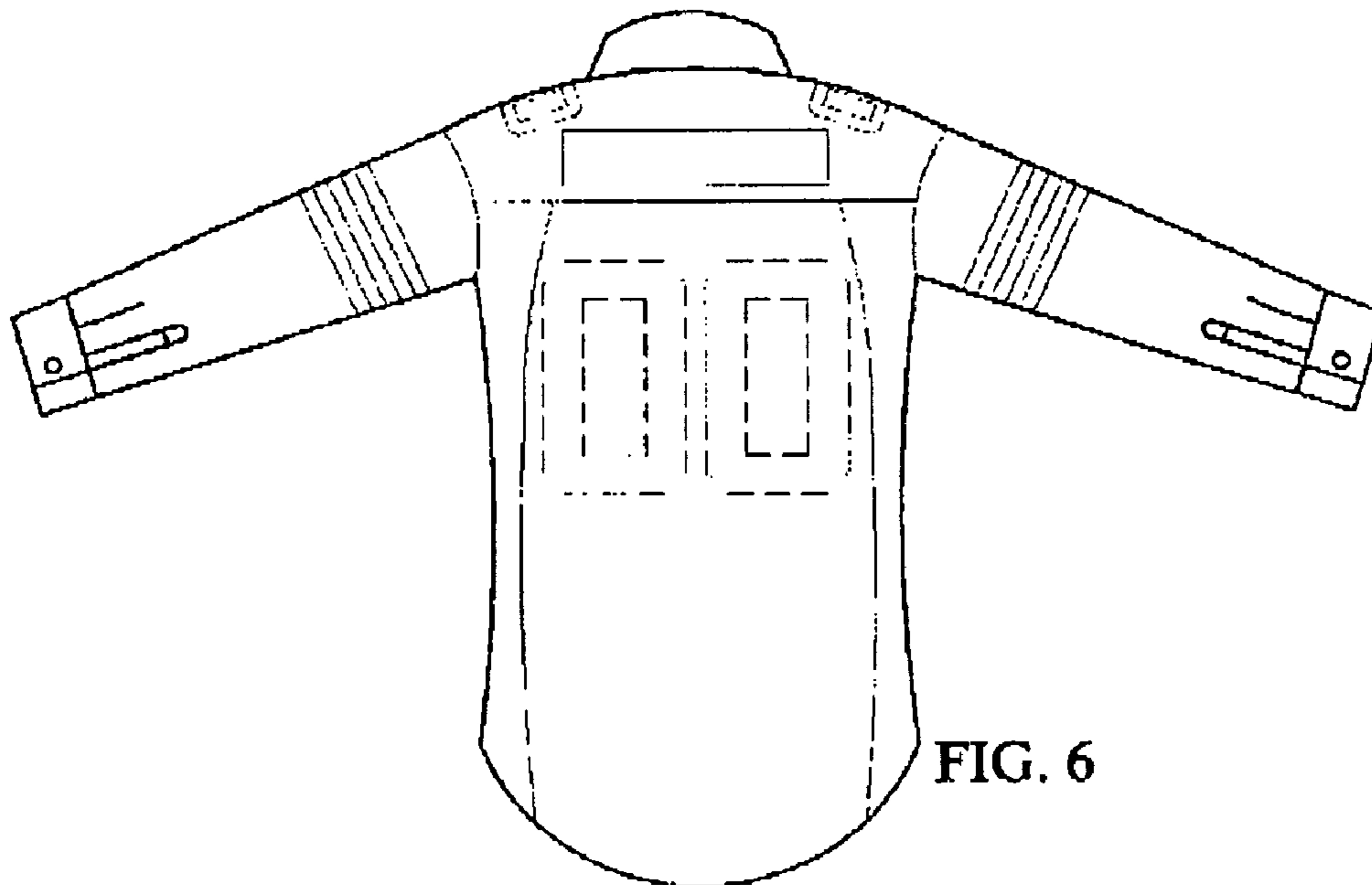


FIG. 6

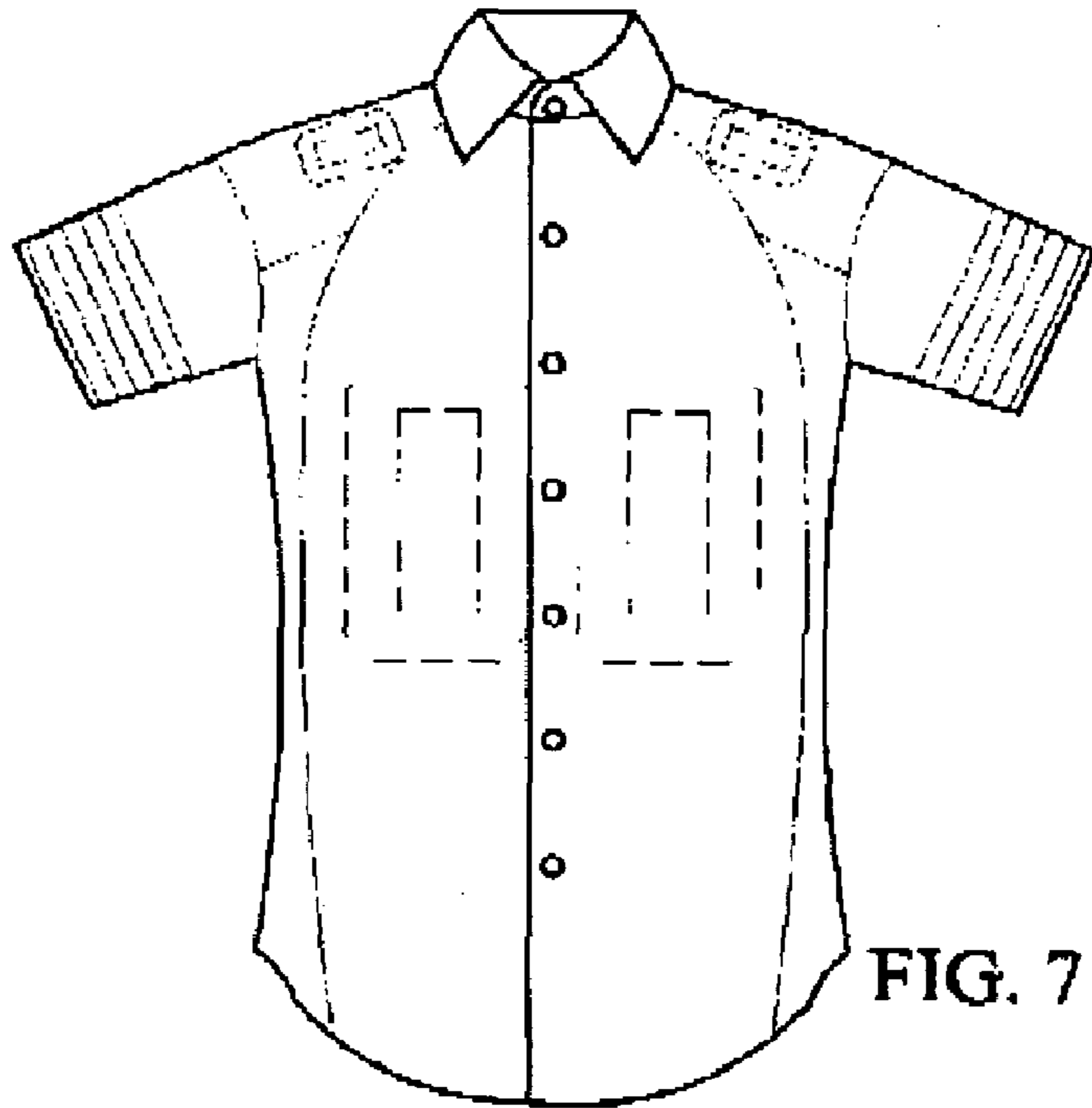


FIG. 7

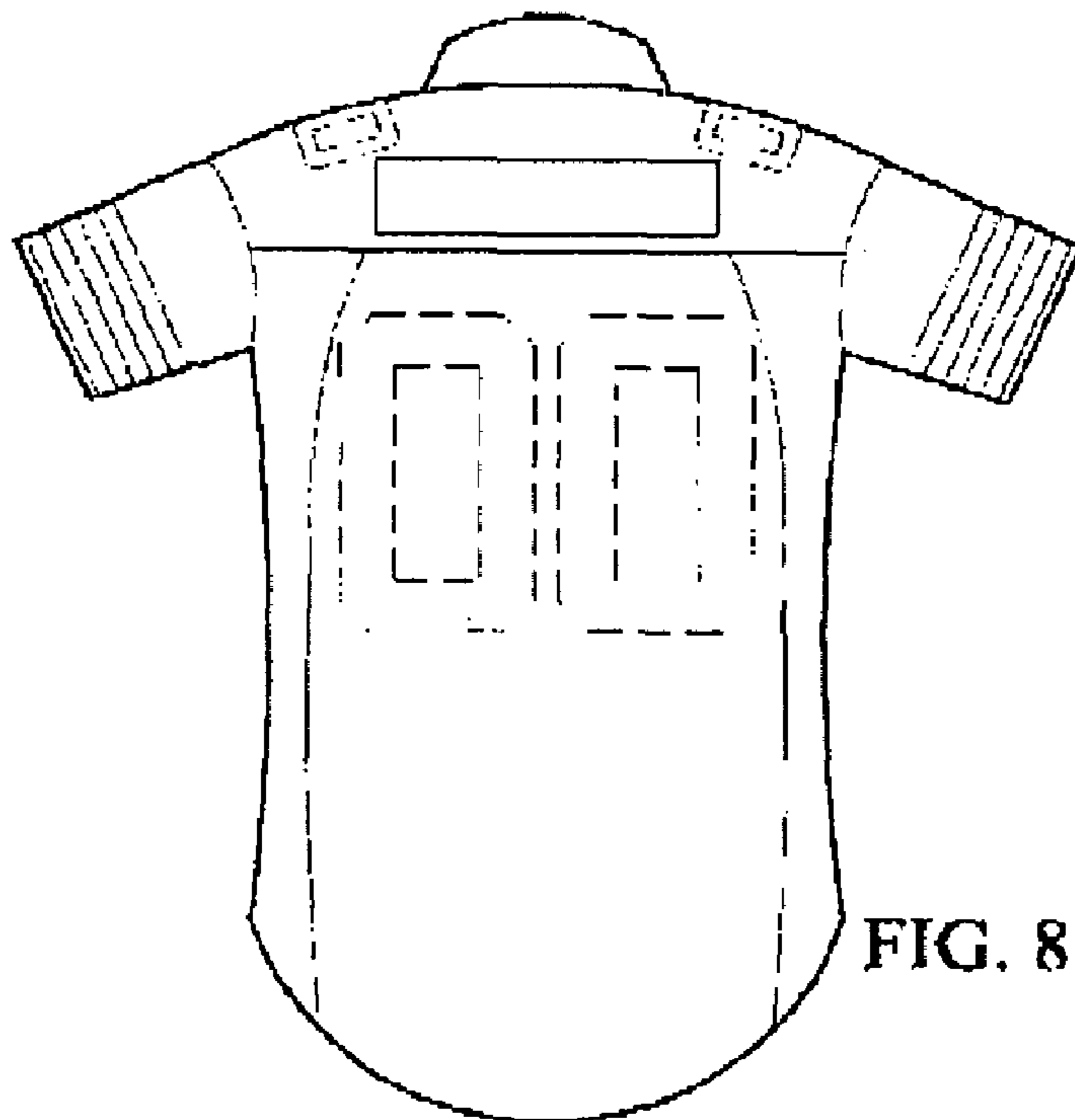


FIG. 8

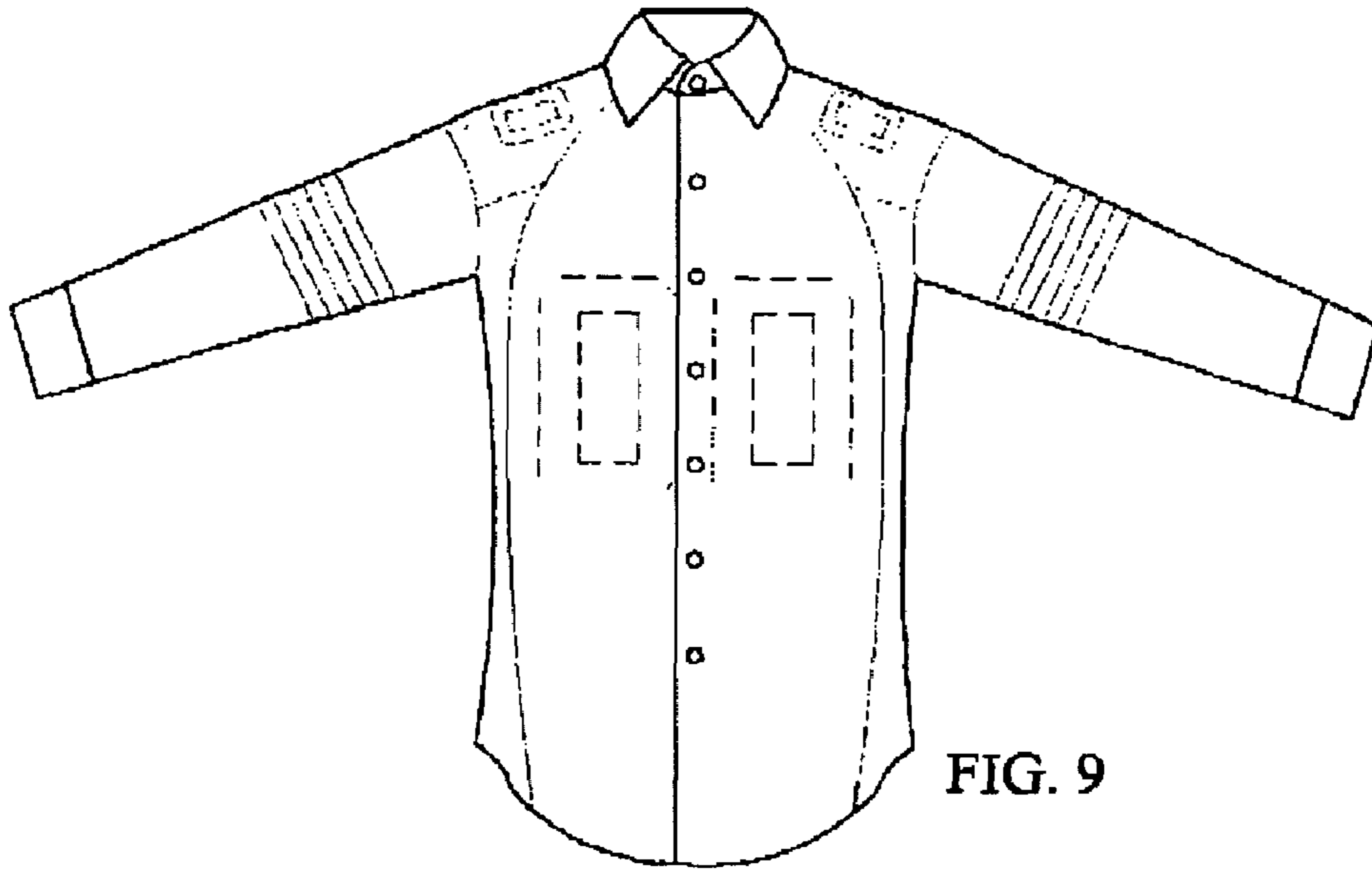


FIG. 9

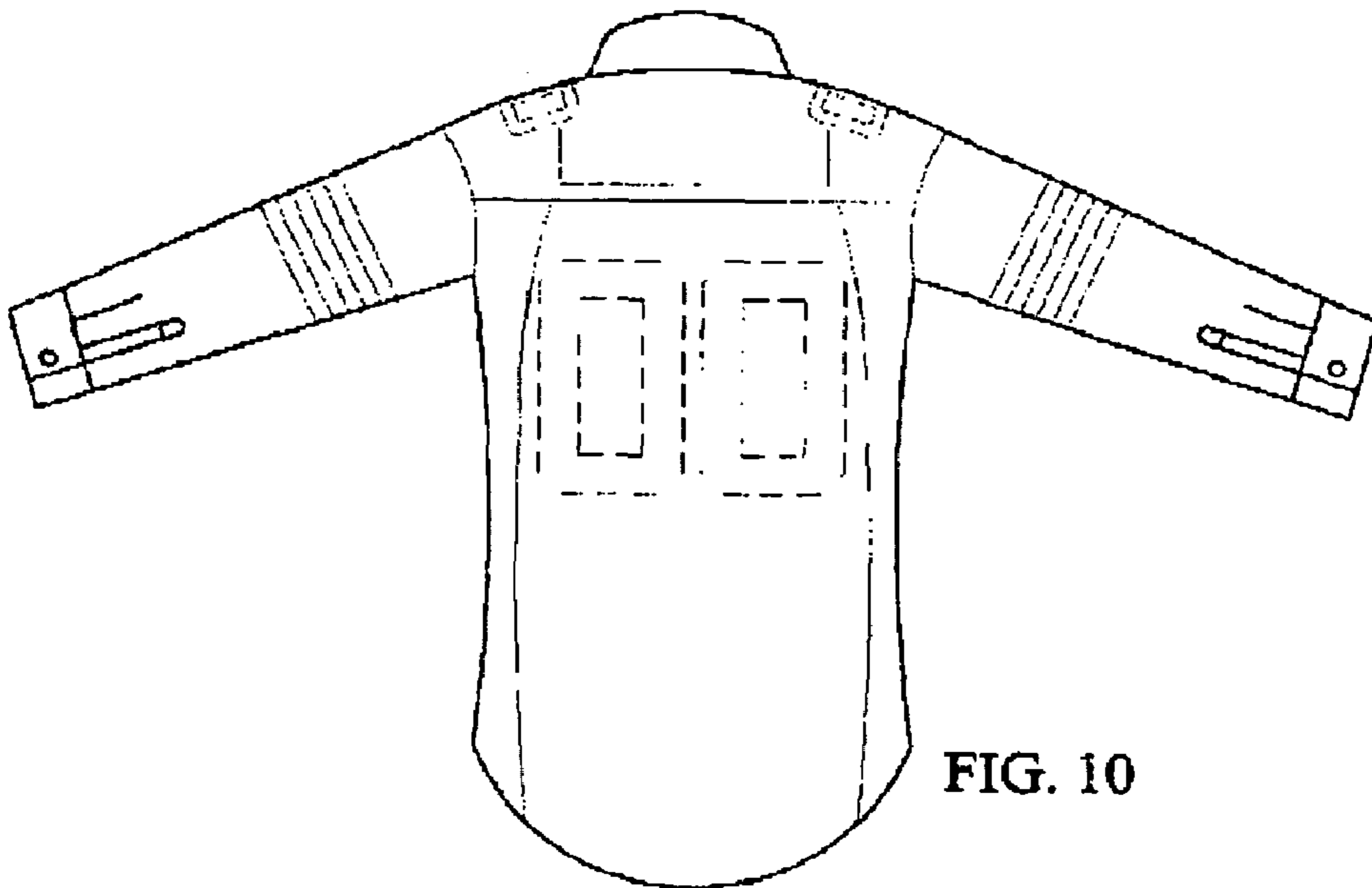


FIG. 10

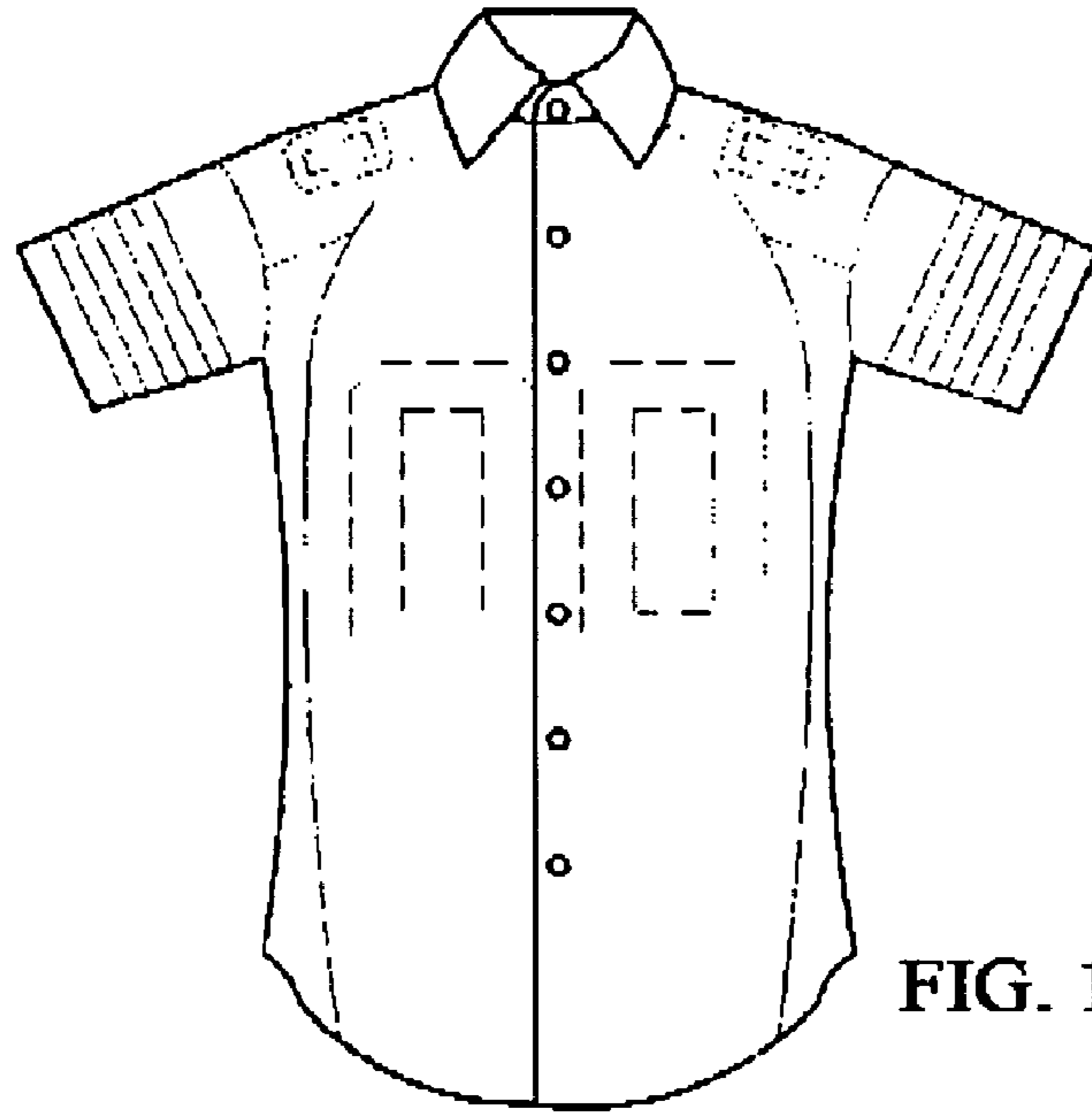


FIG. 11

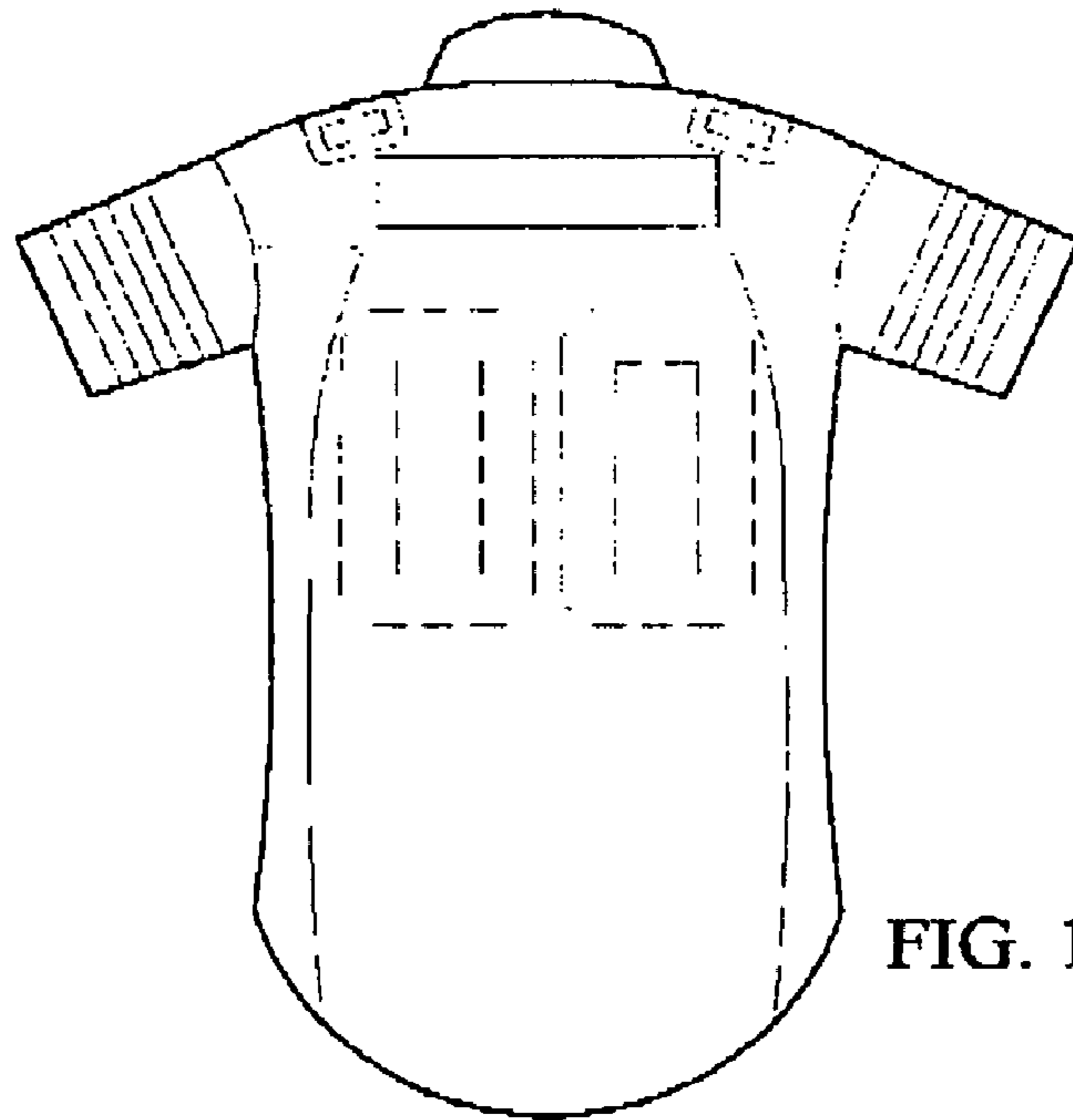


FIG. 12



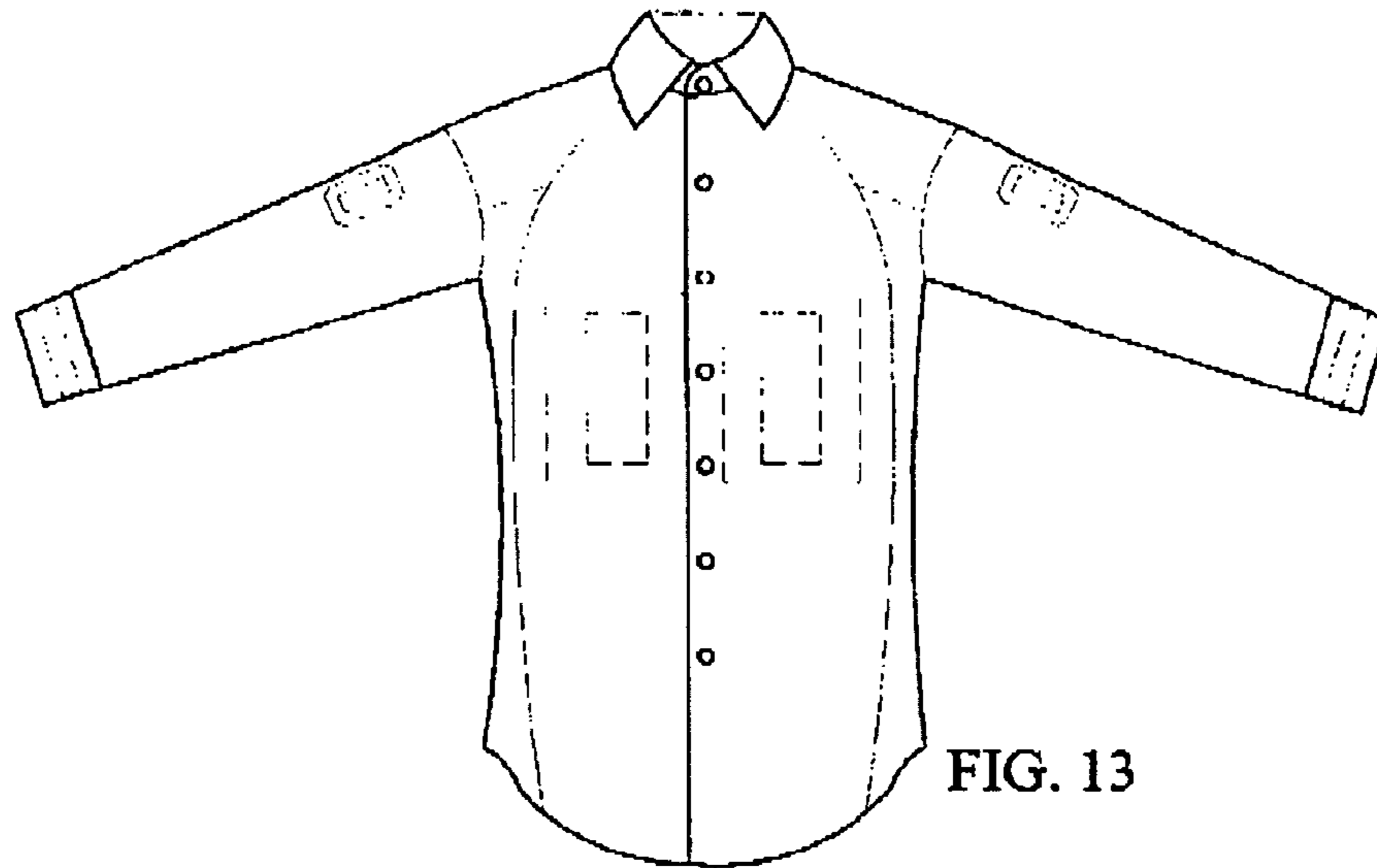


FIG. 13

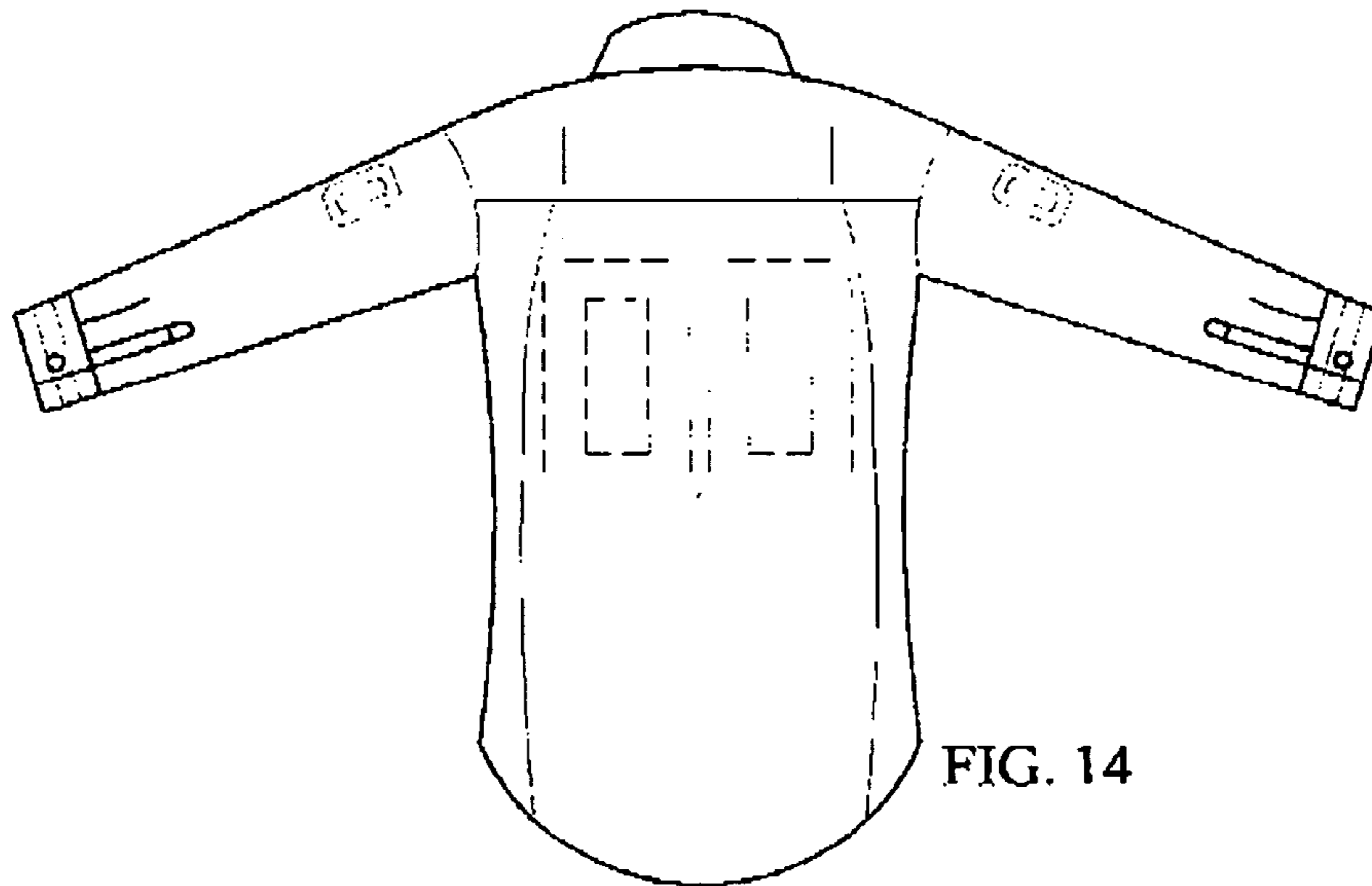


FIG. 14



FIG. 15

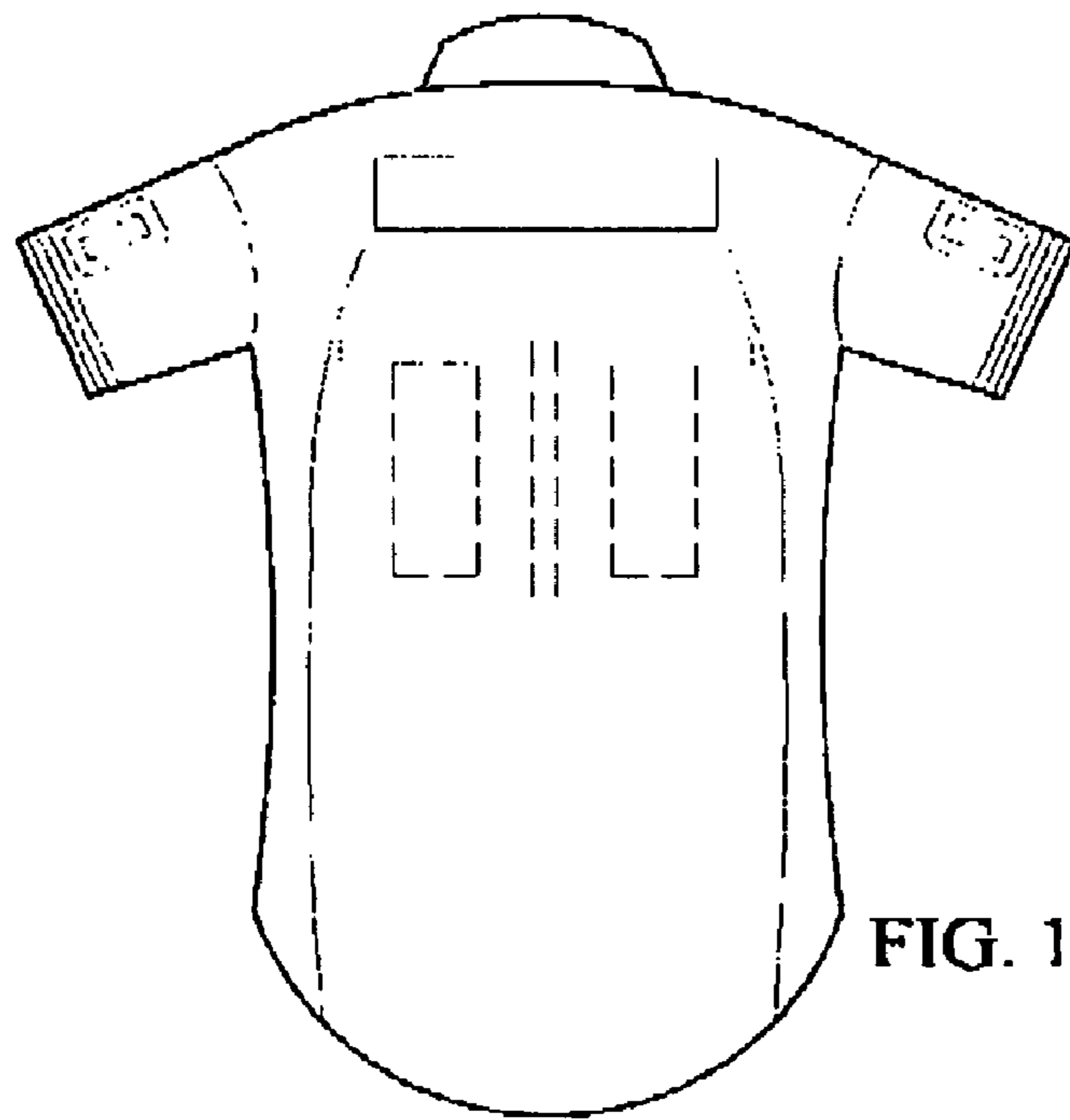


FIG. 16

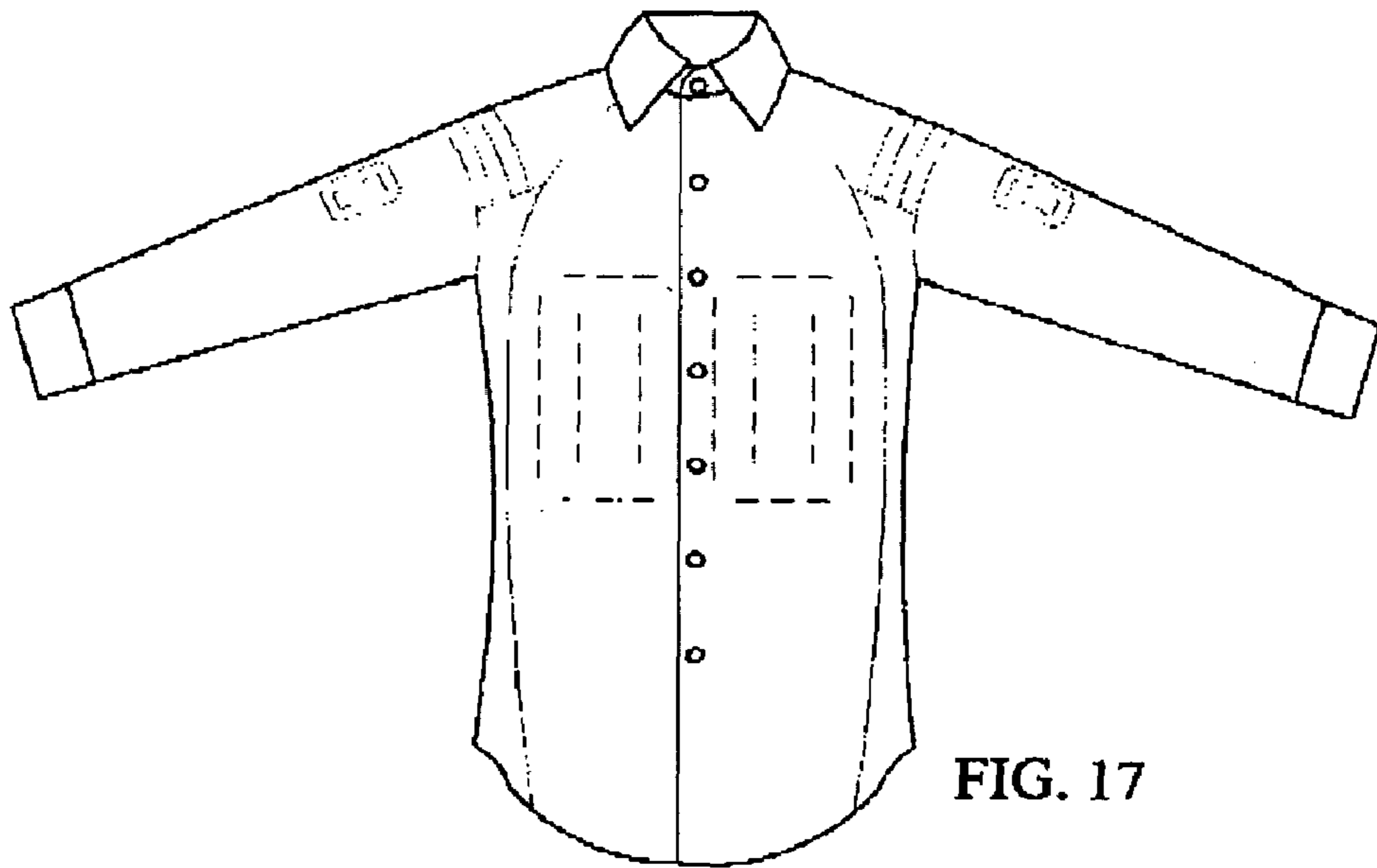


FIG. 17

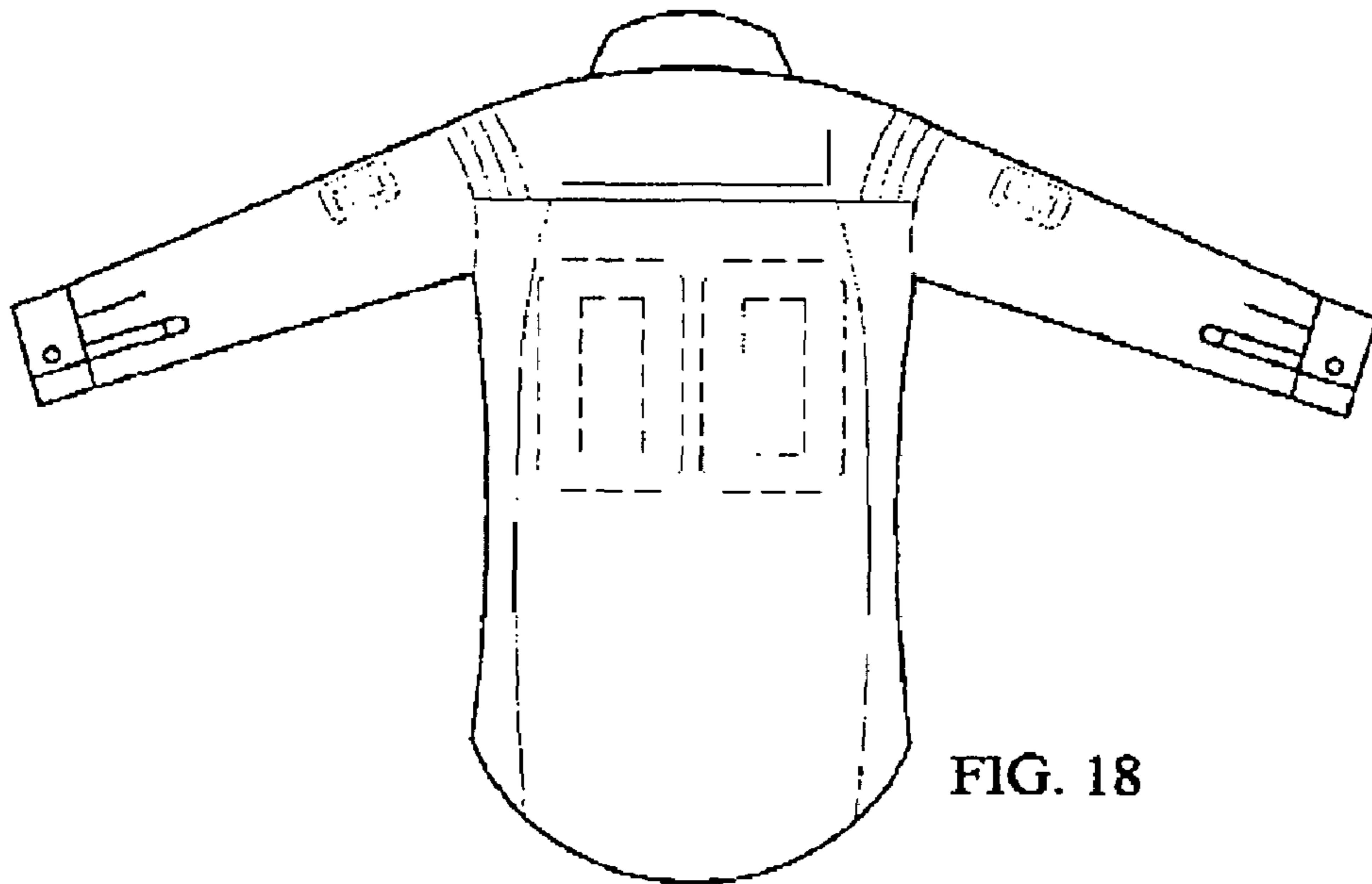


FIG. 18

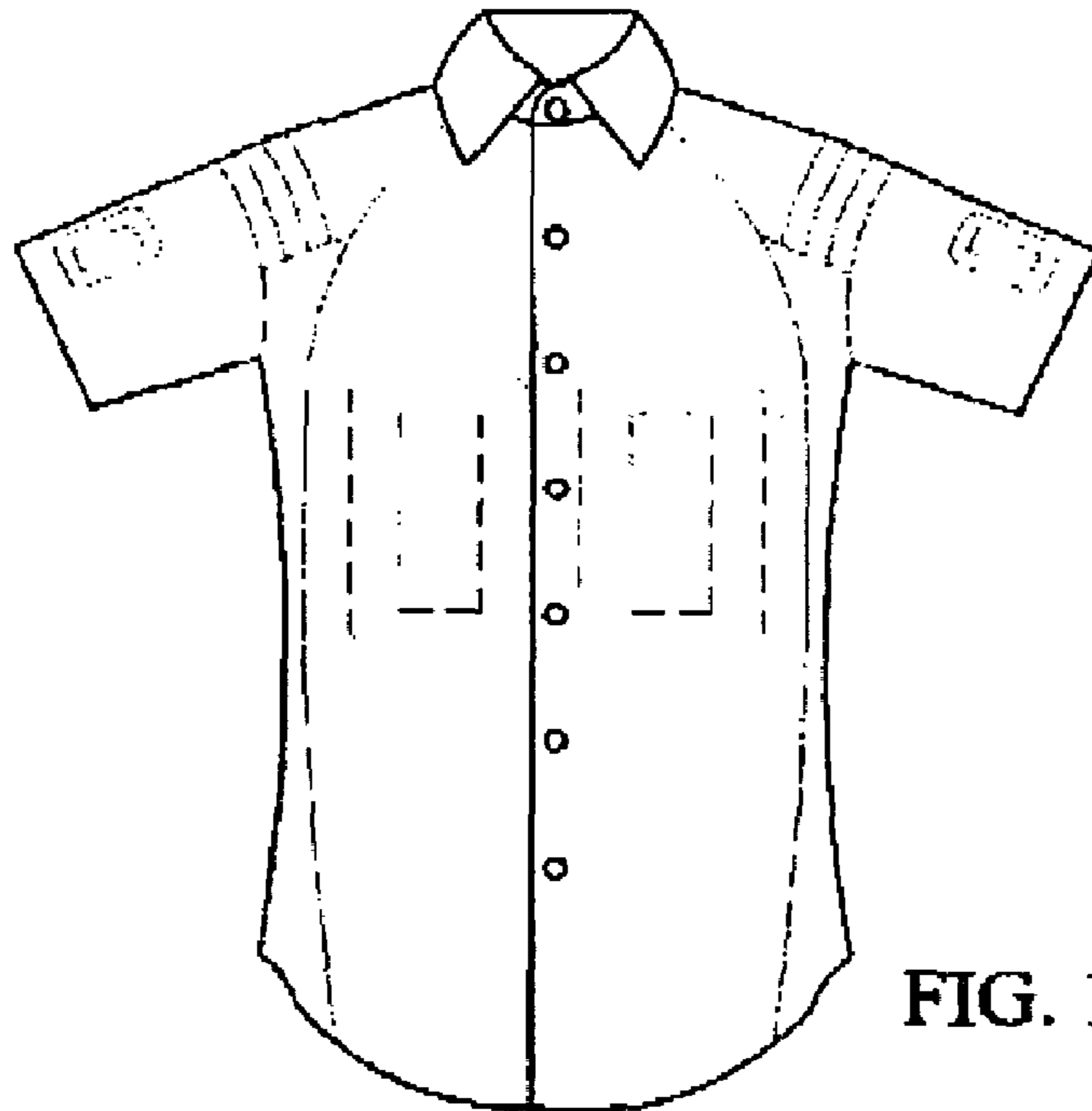


FIG. 19

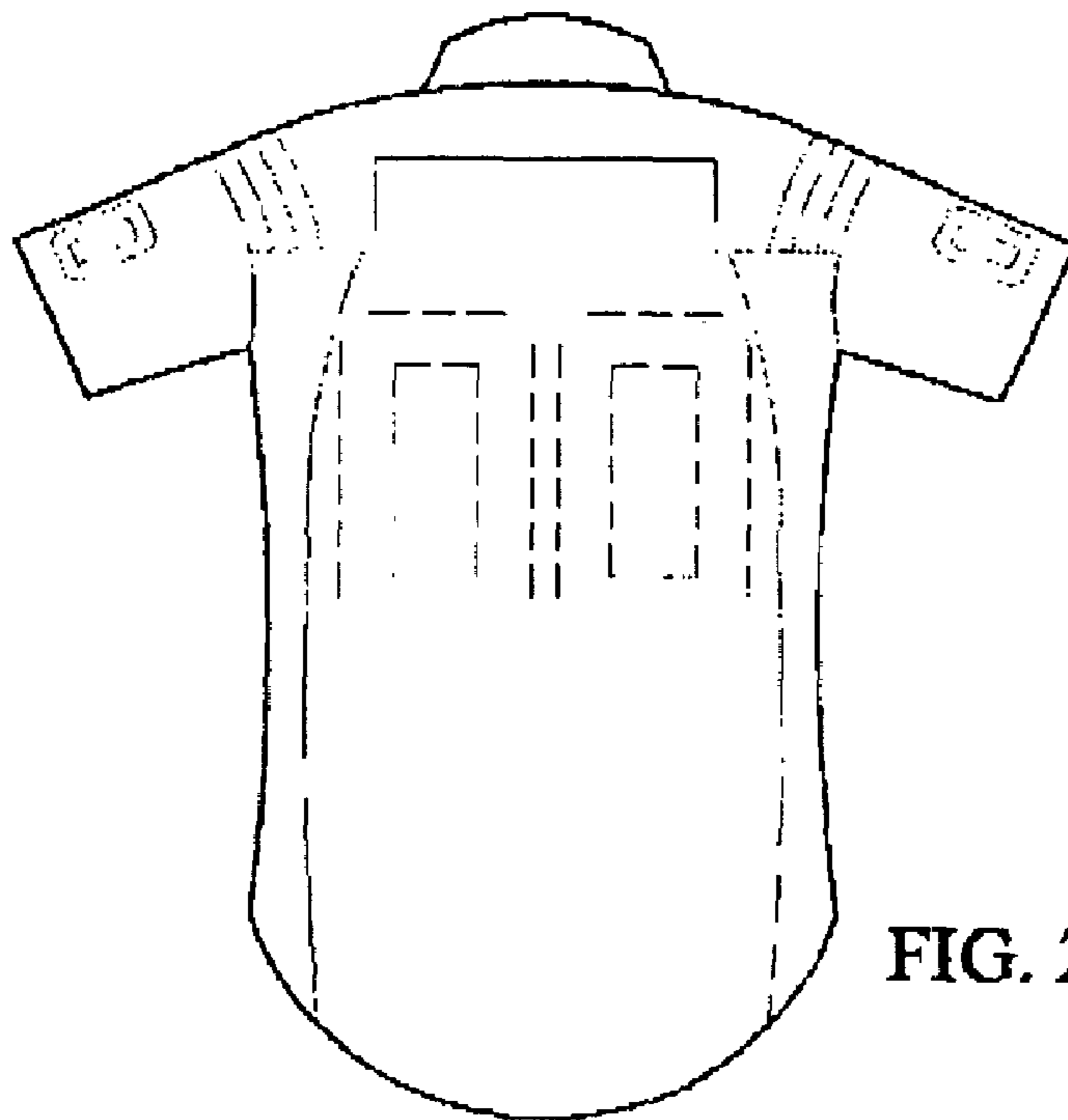


FIG. 20

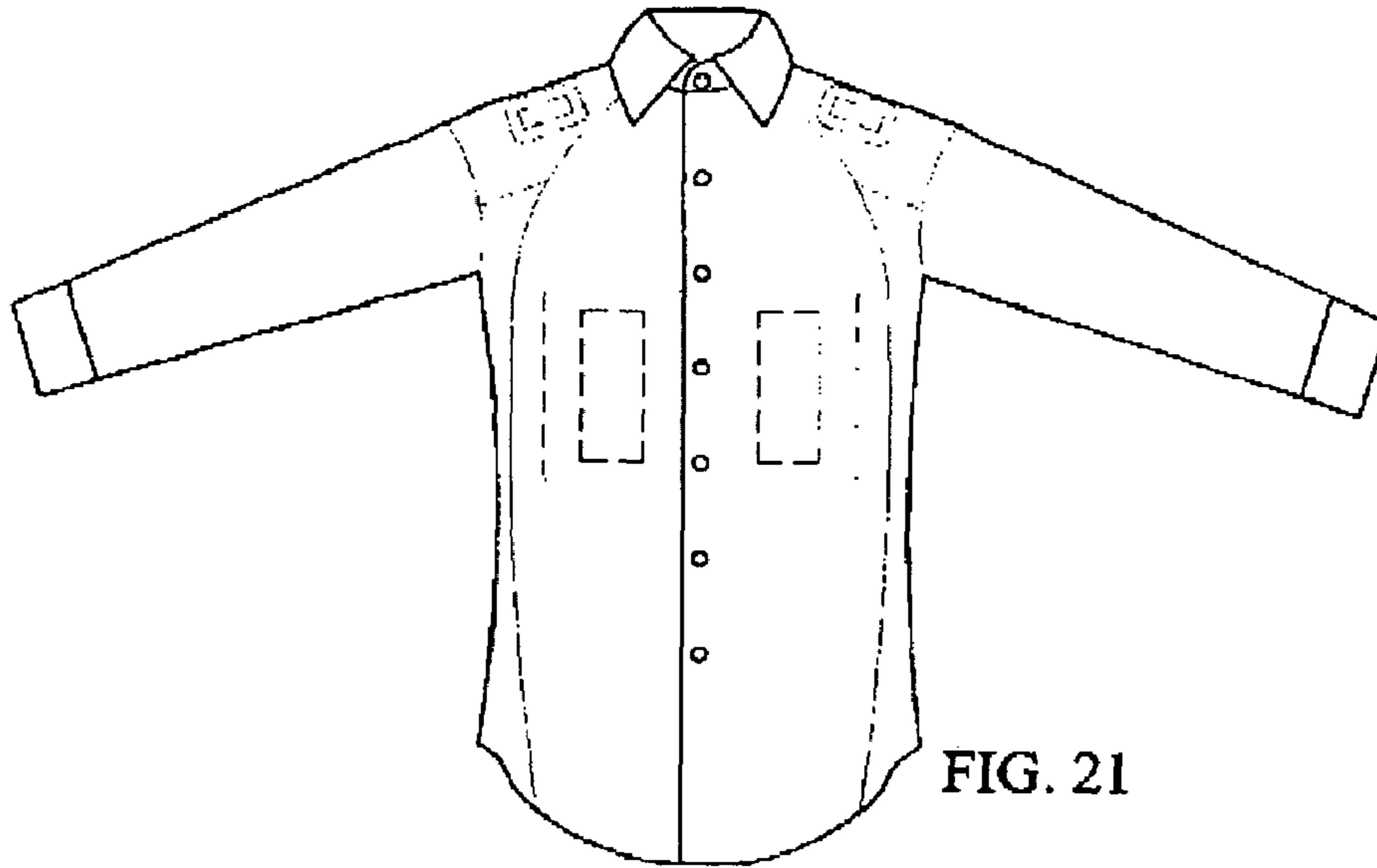


FIG. 21

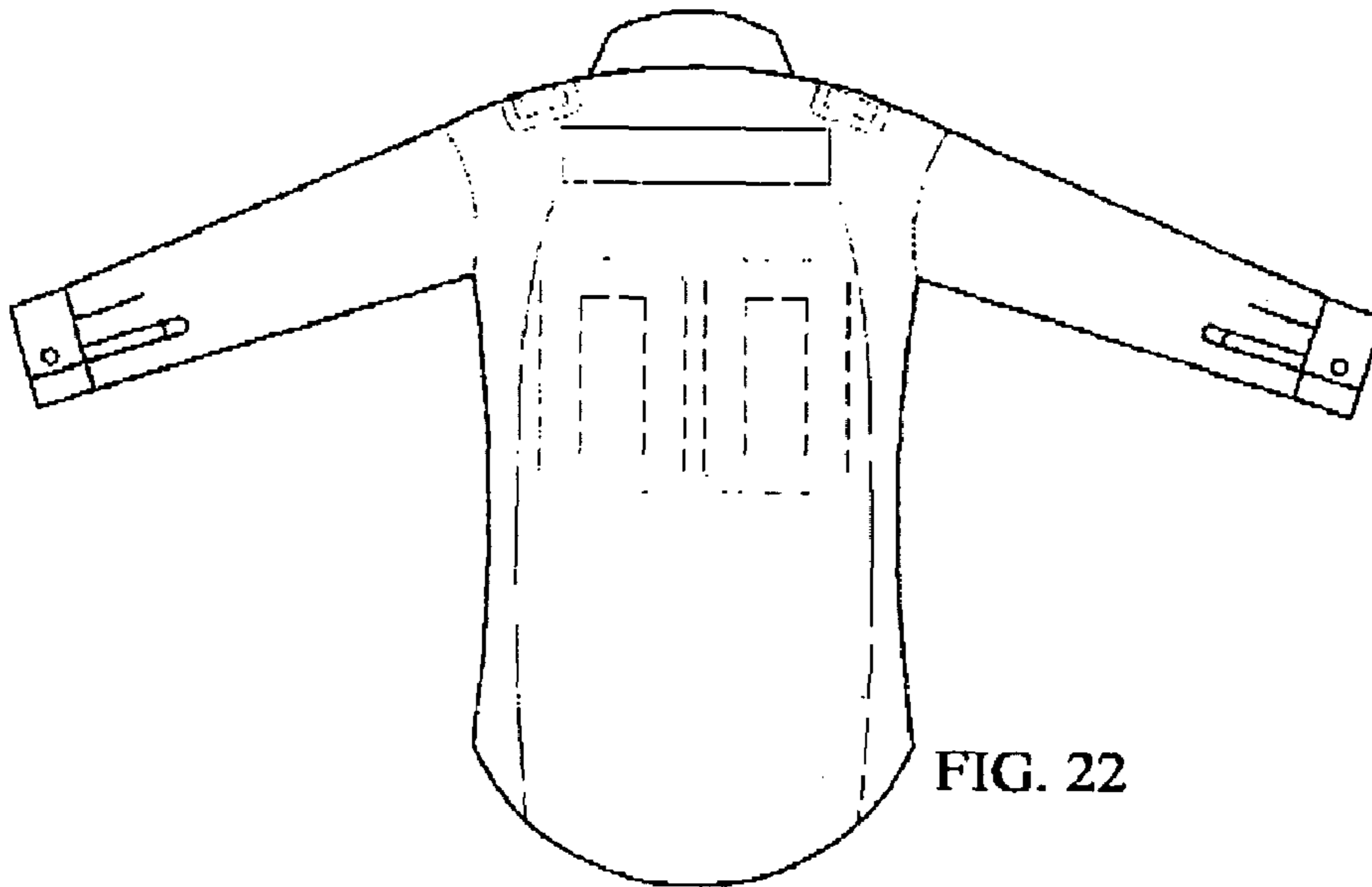


FIG. 22

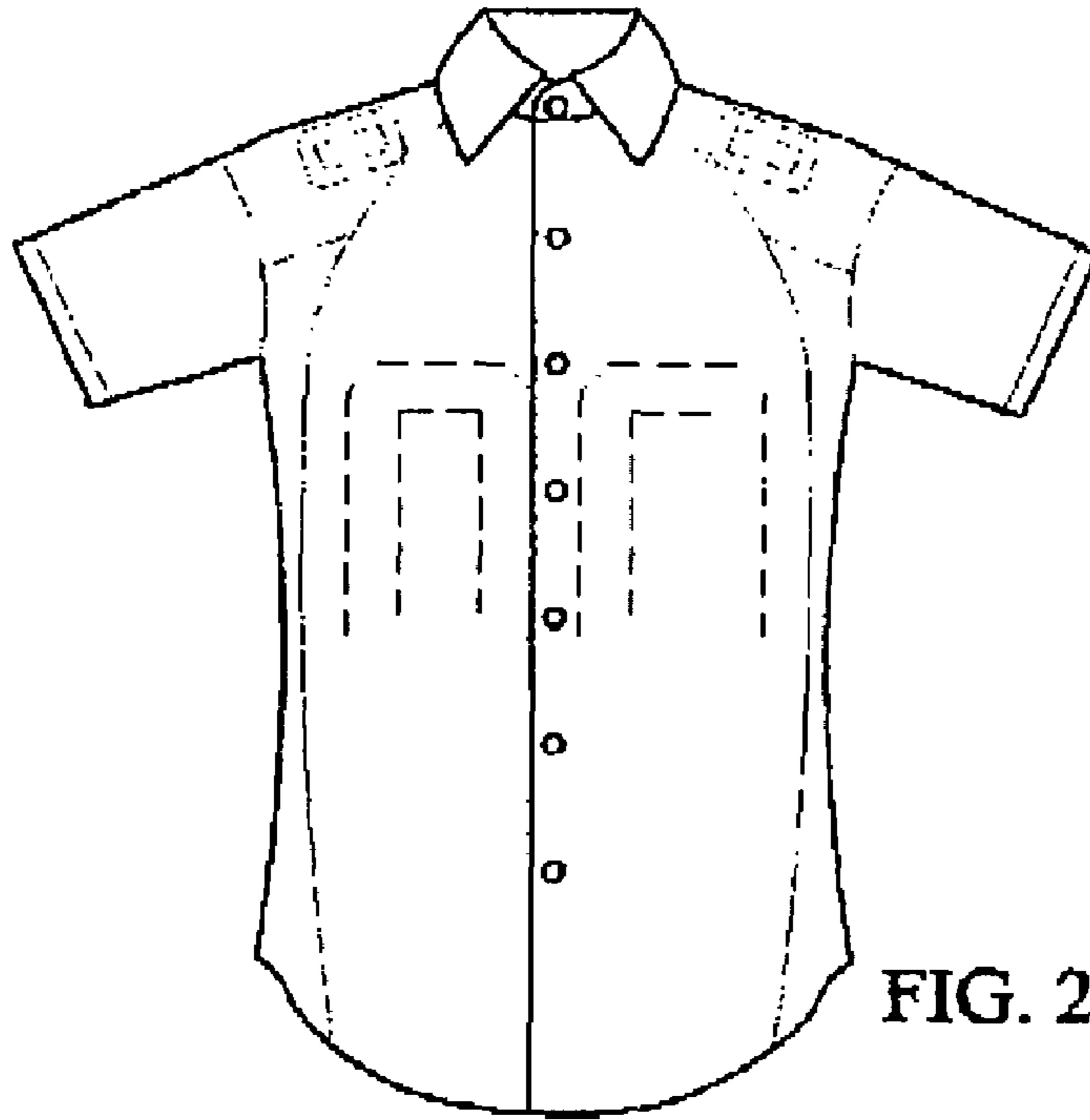


FIG. 23

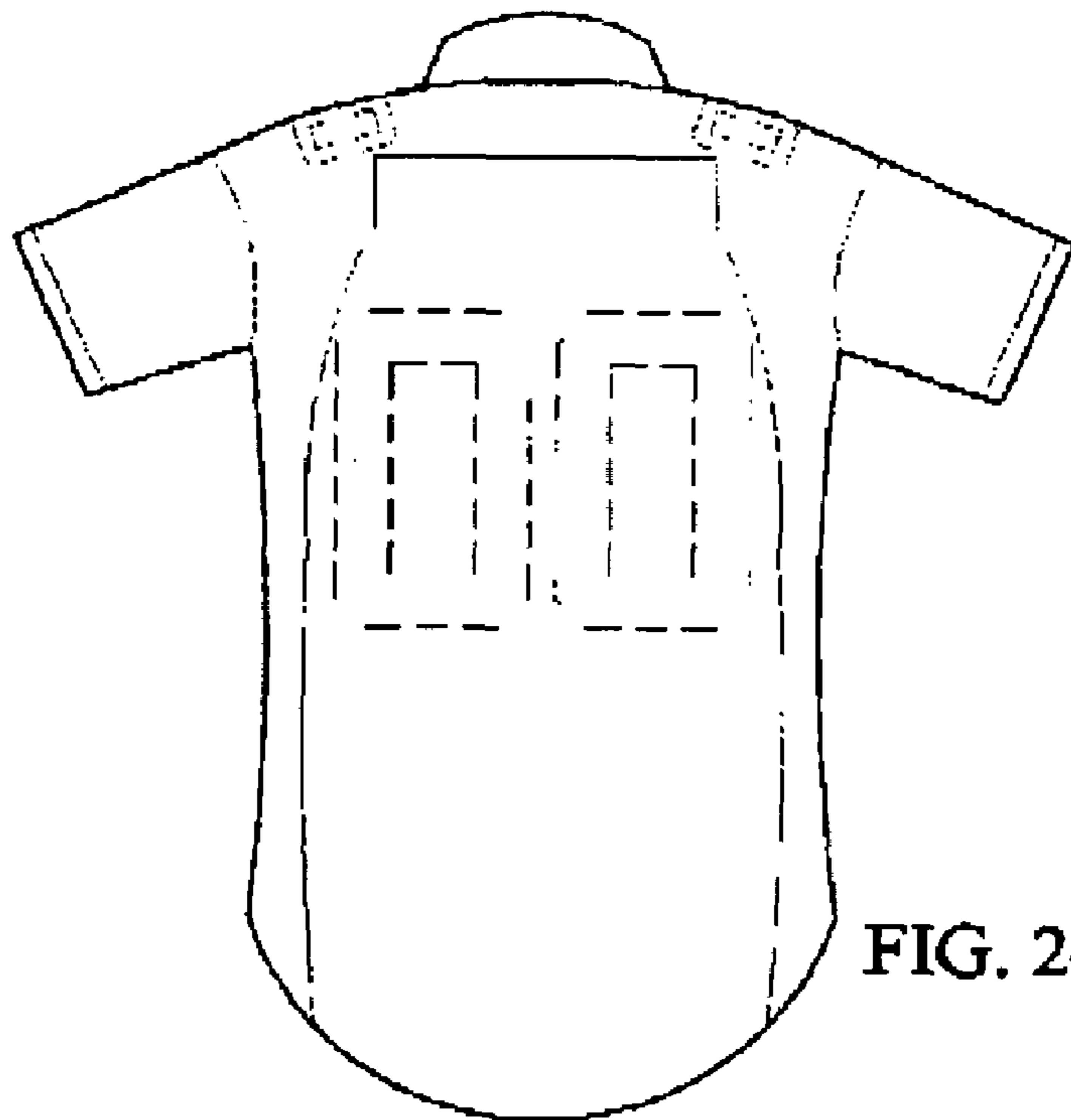


FIG. 24

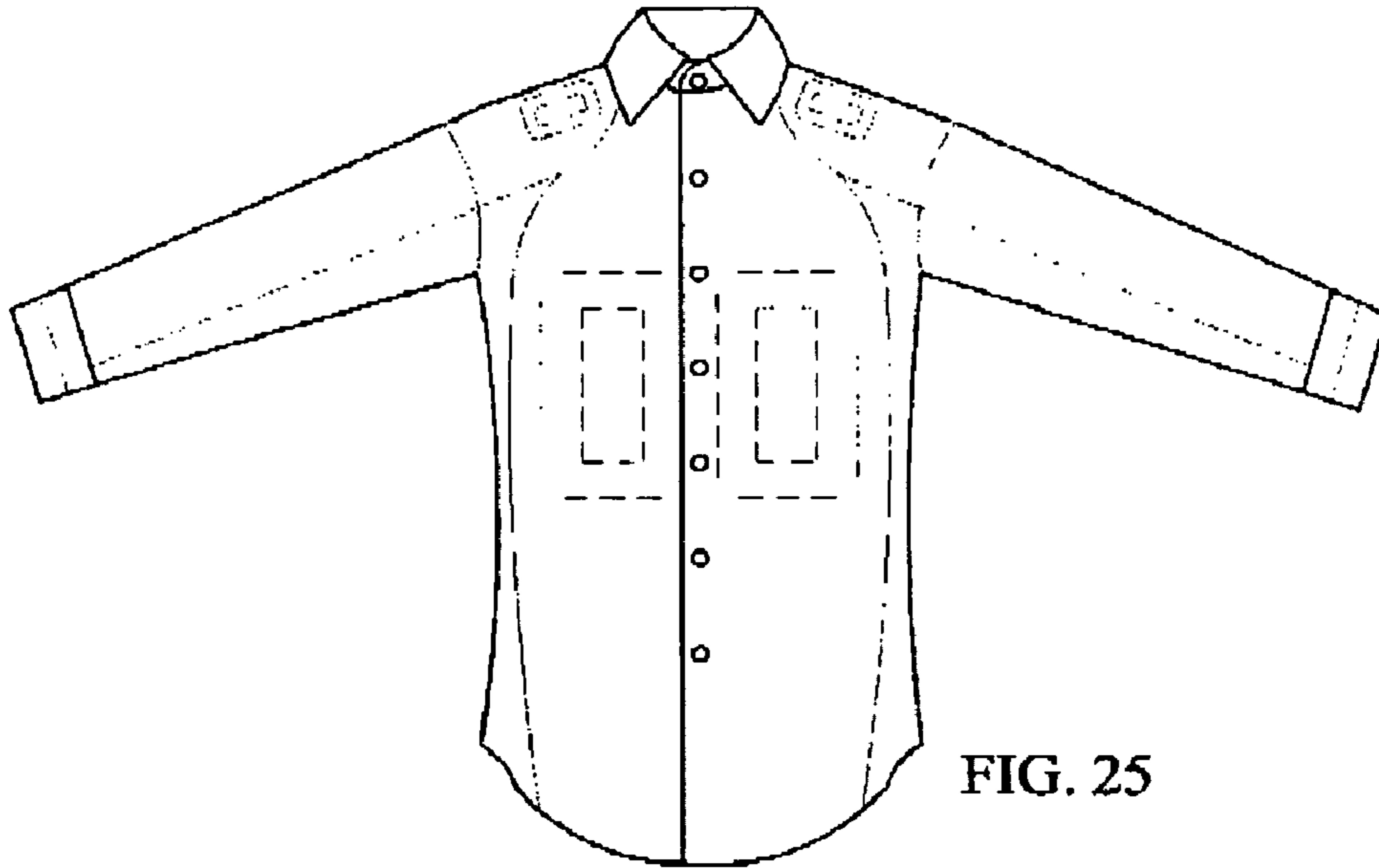


FIG. 25

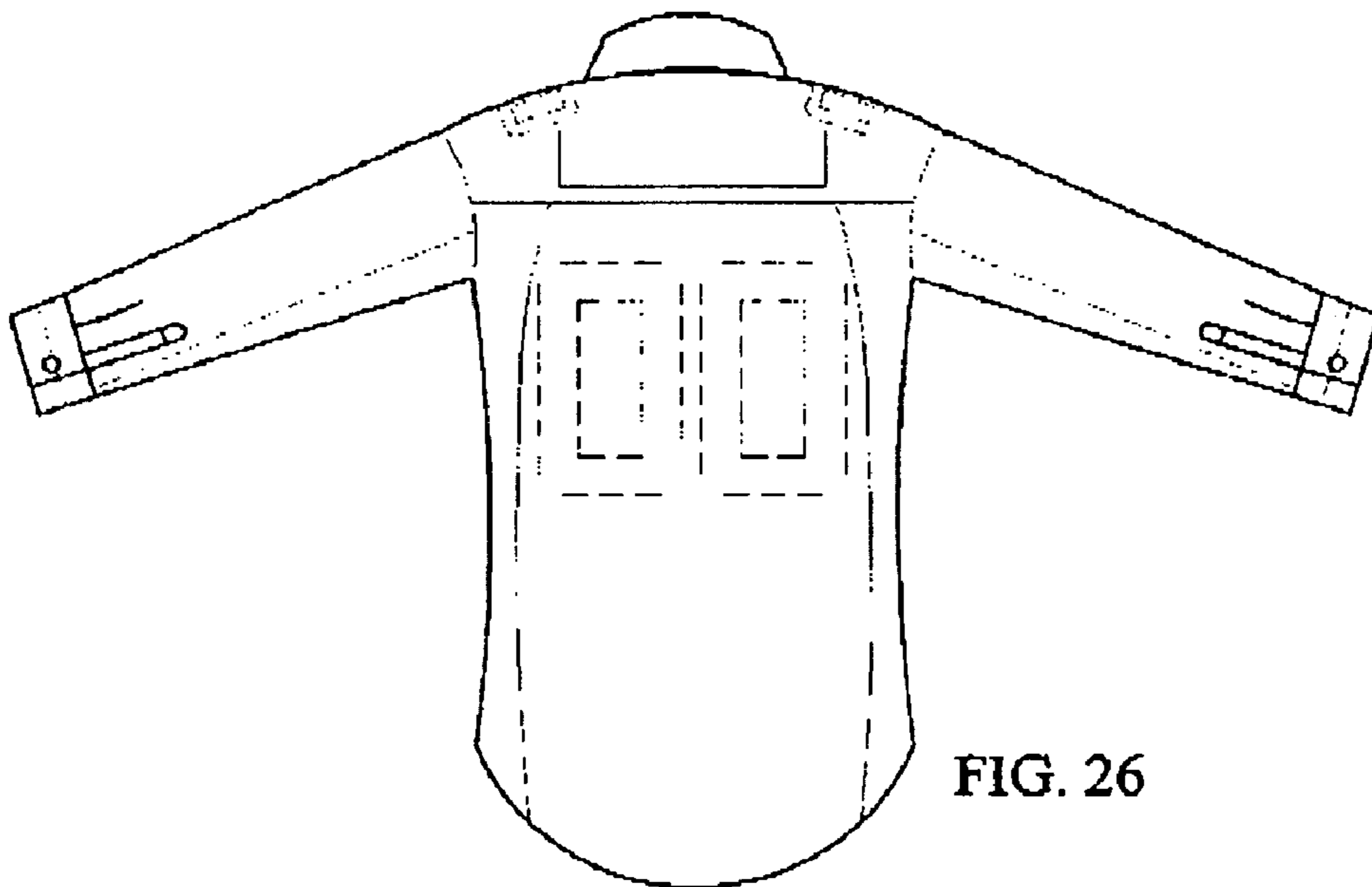


FIG. 26

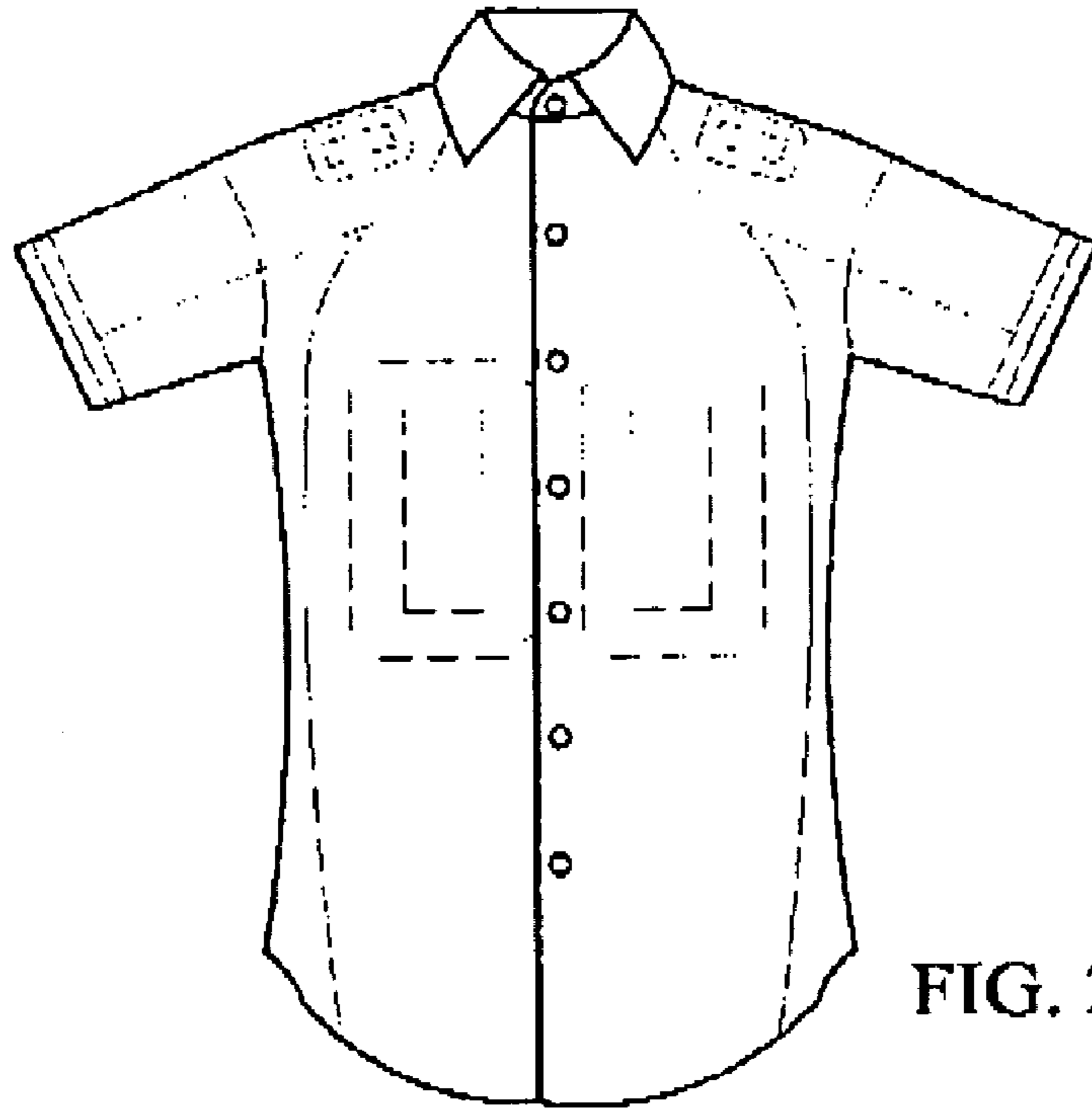


FIG. 27

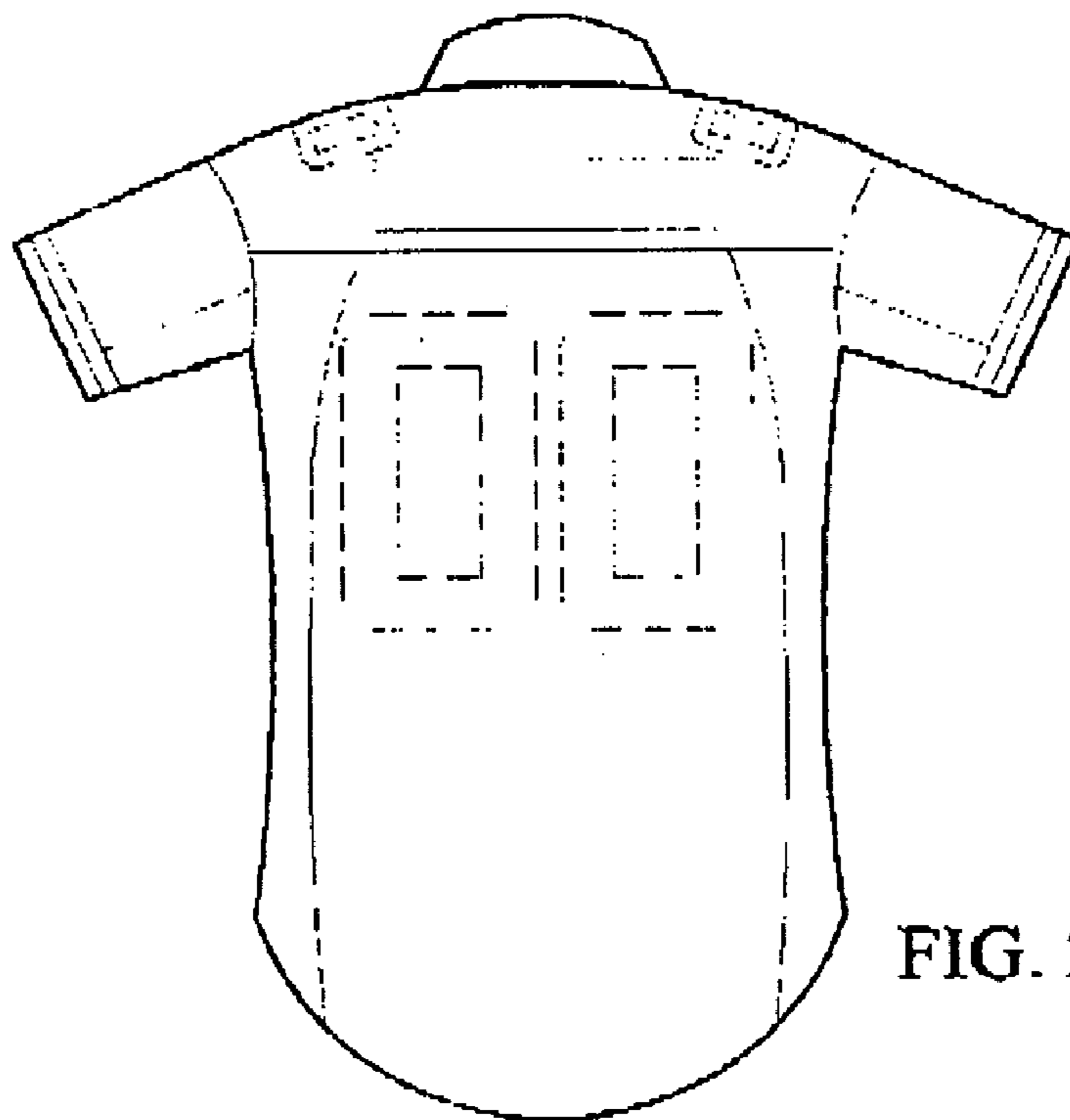


FIG. 28



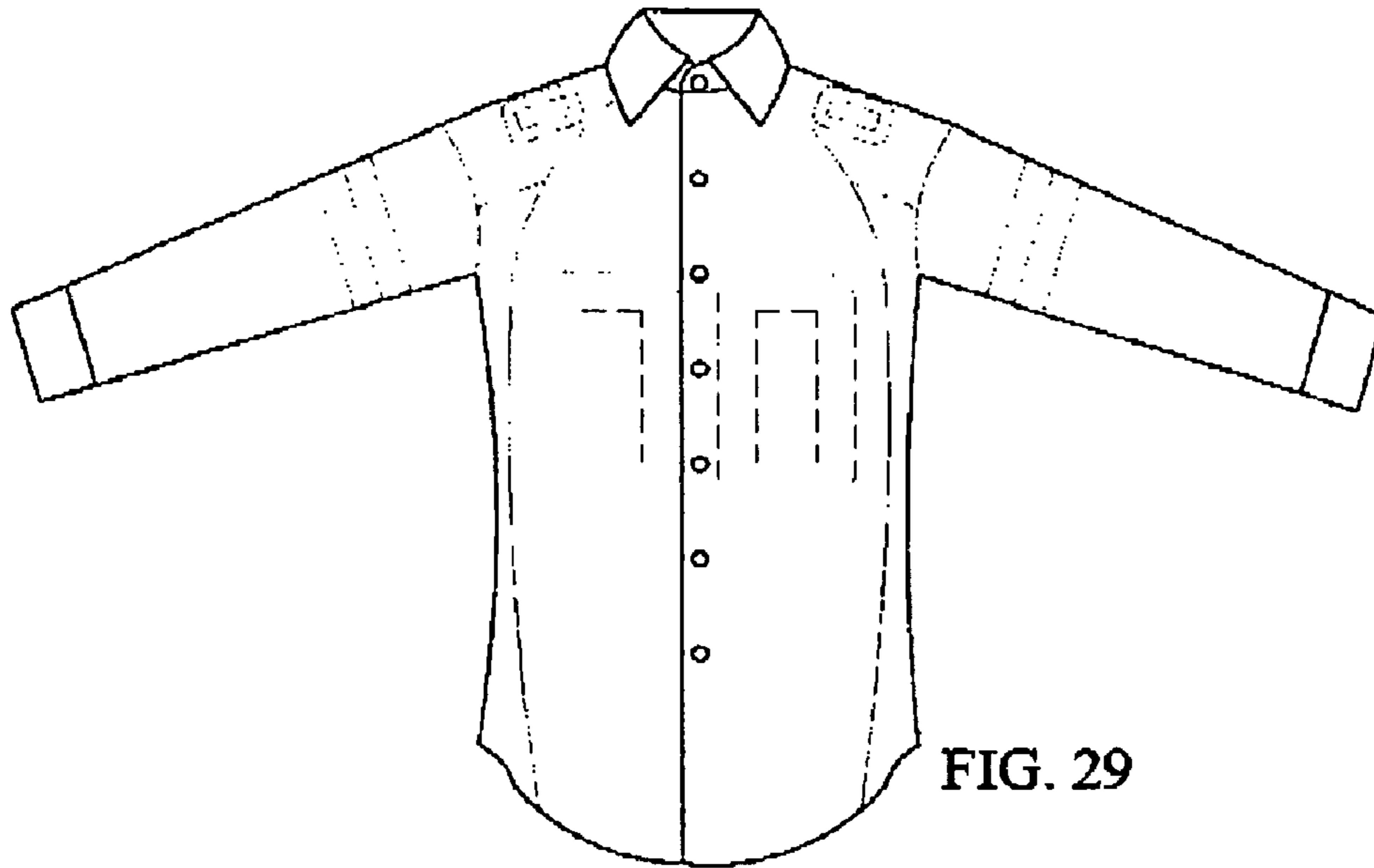


FIG. 29

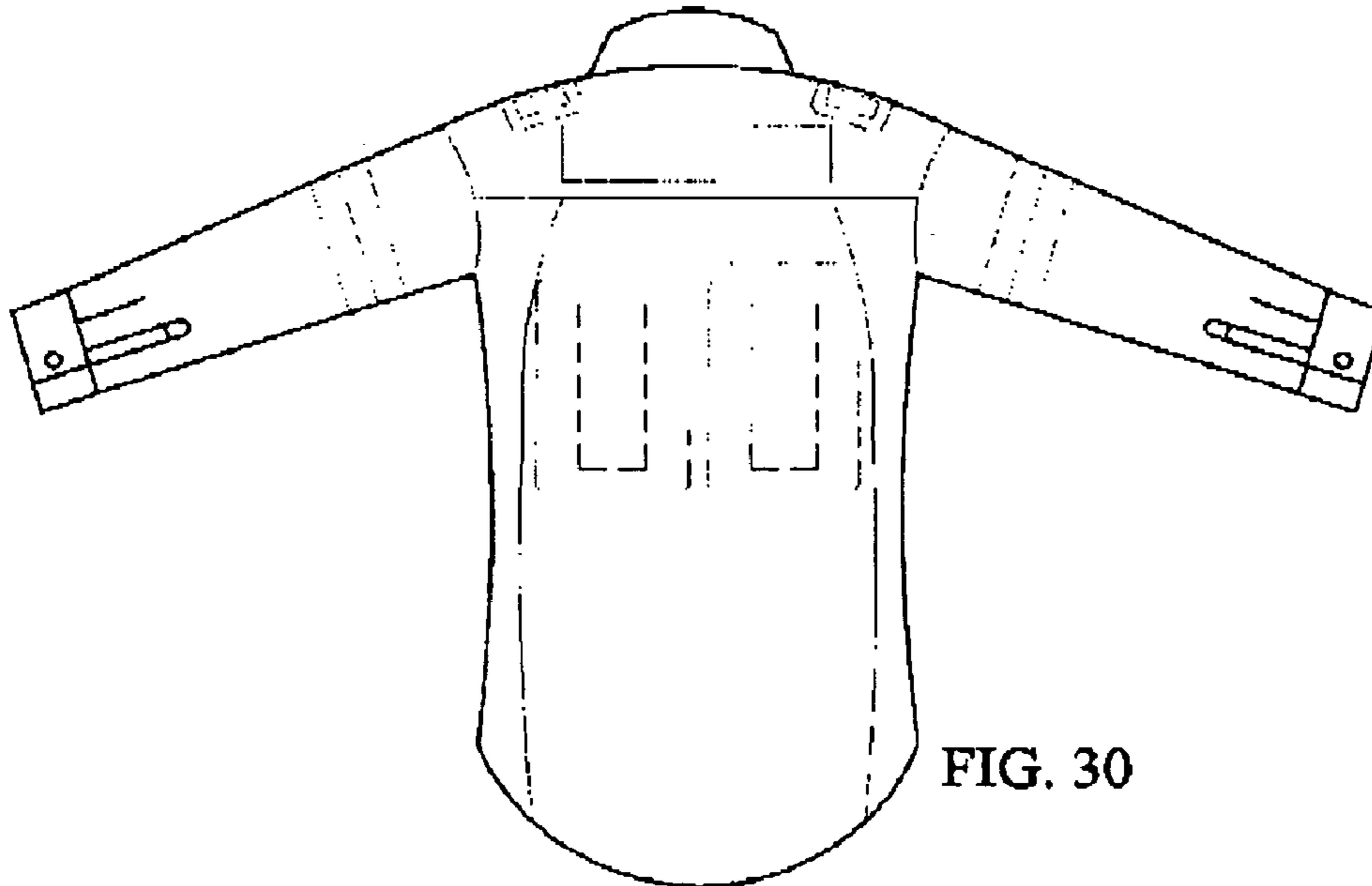


FIG. 30

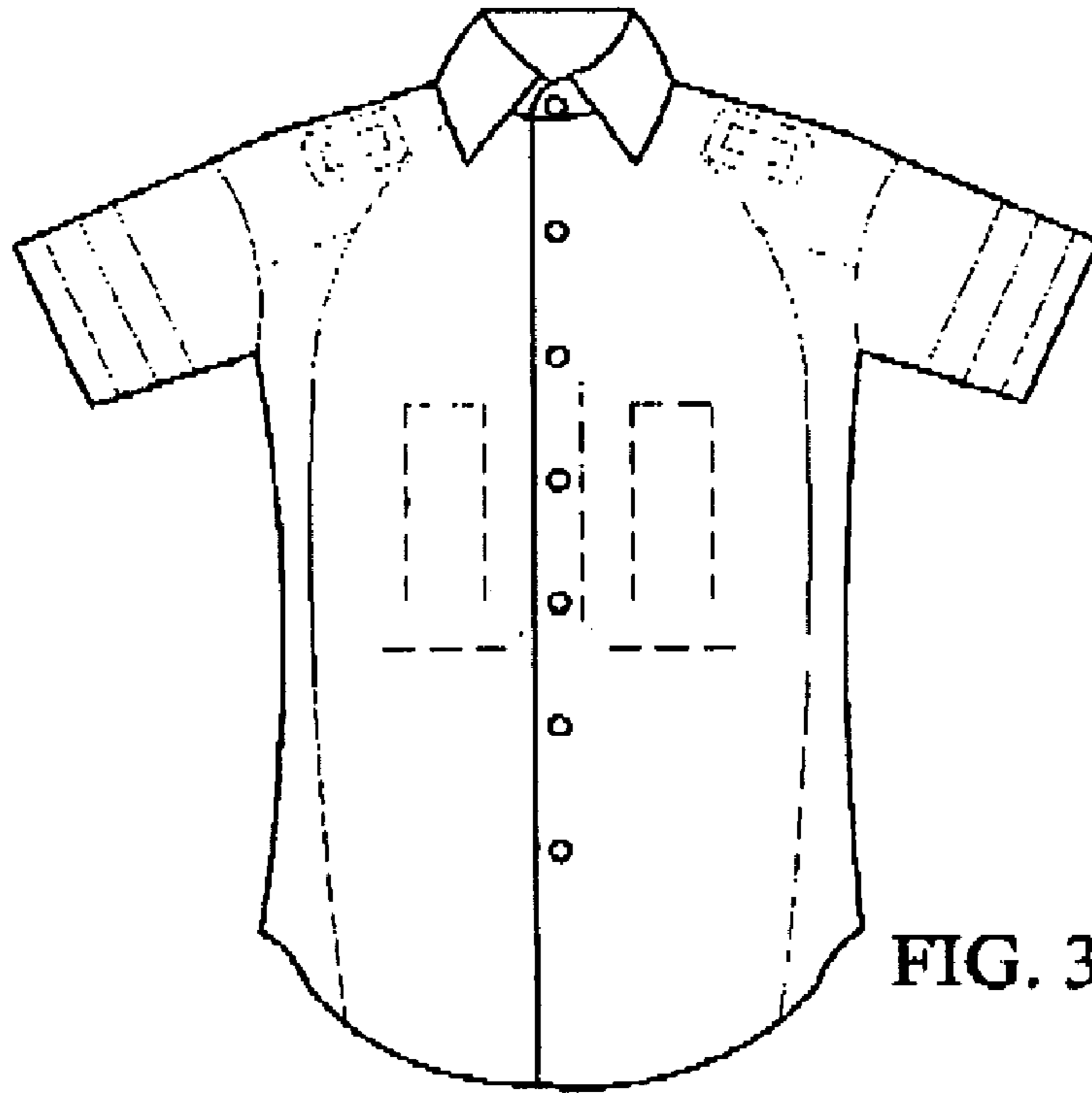


FIG. 31

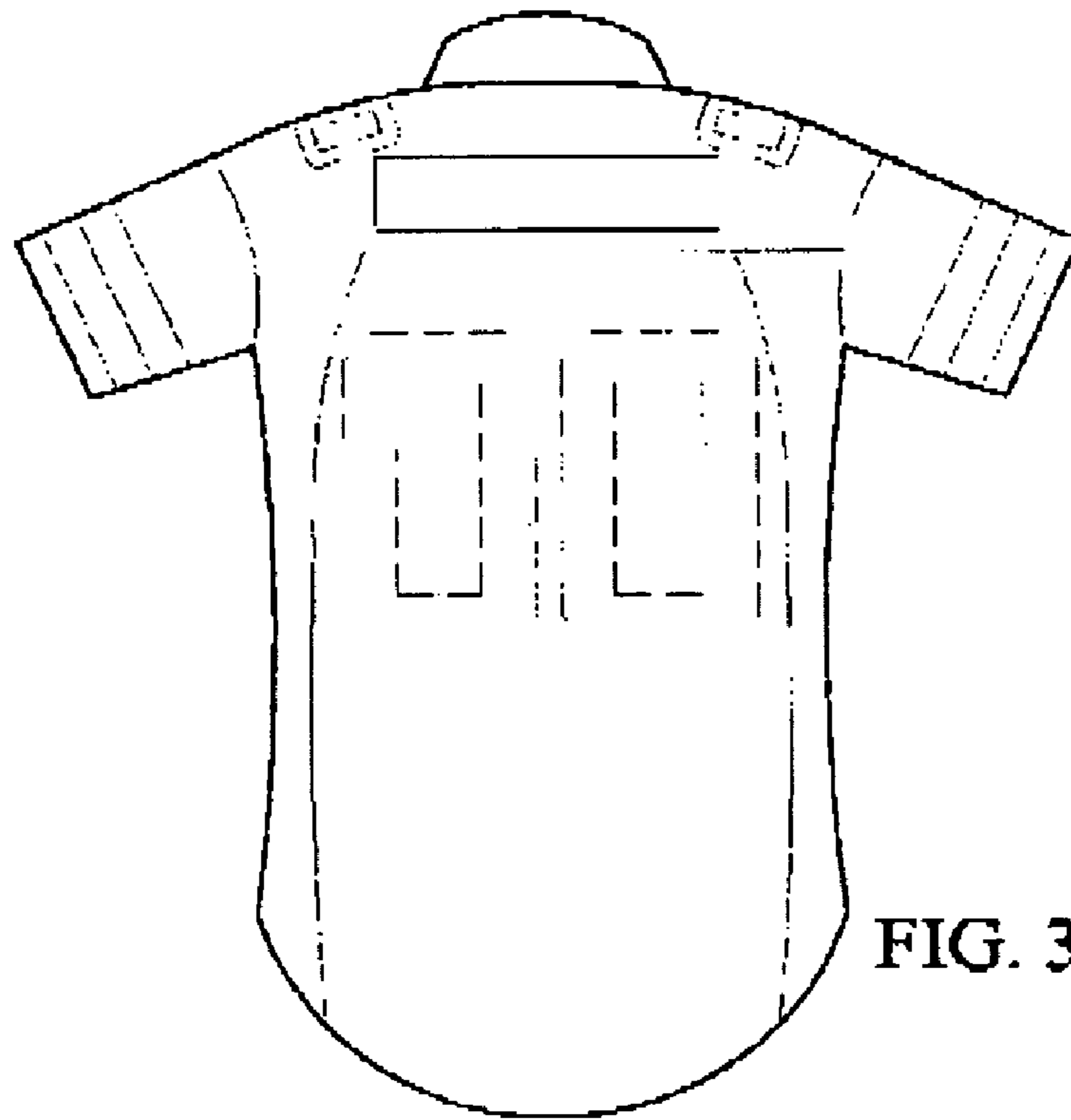


FIG. 32

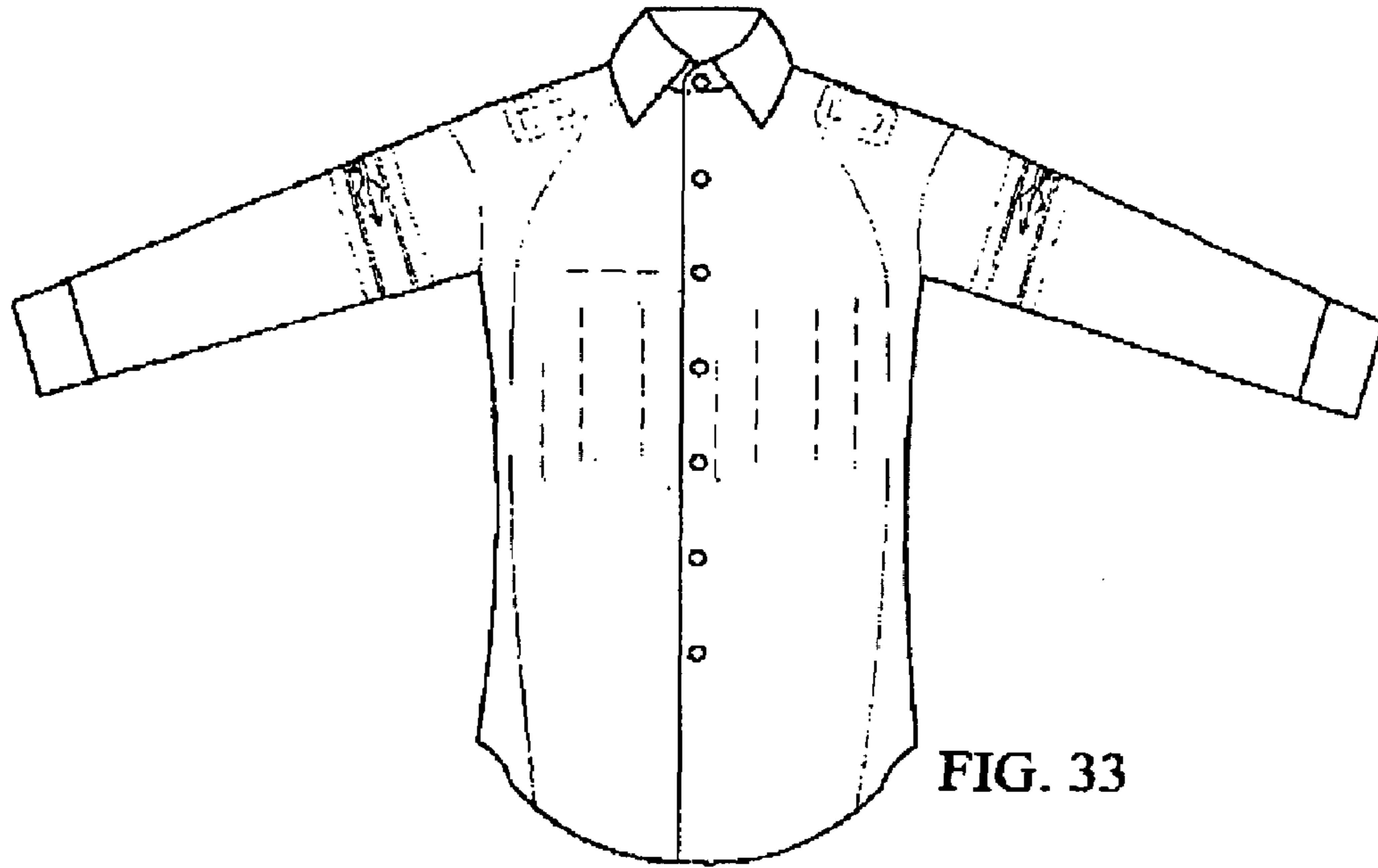


FIG. 33

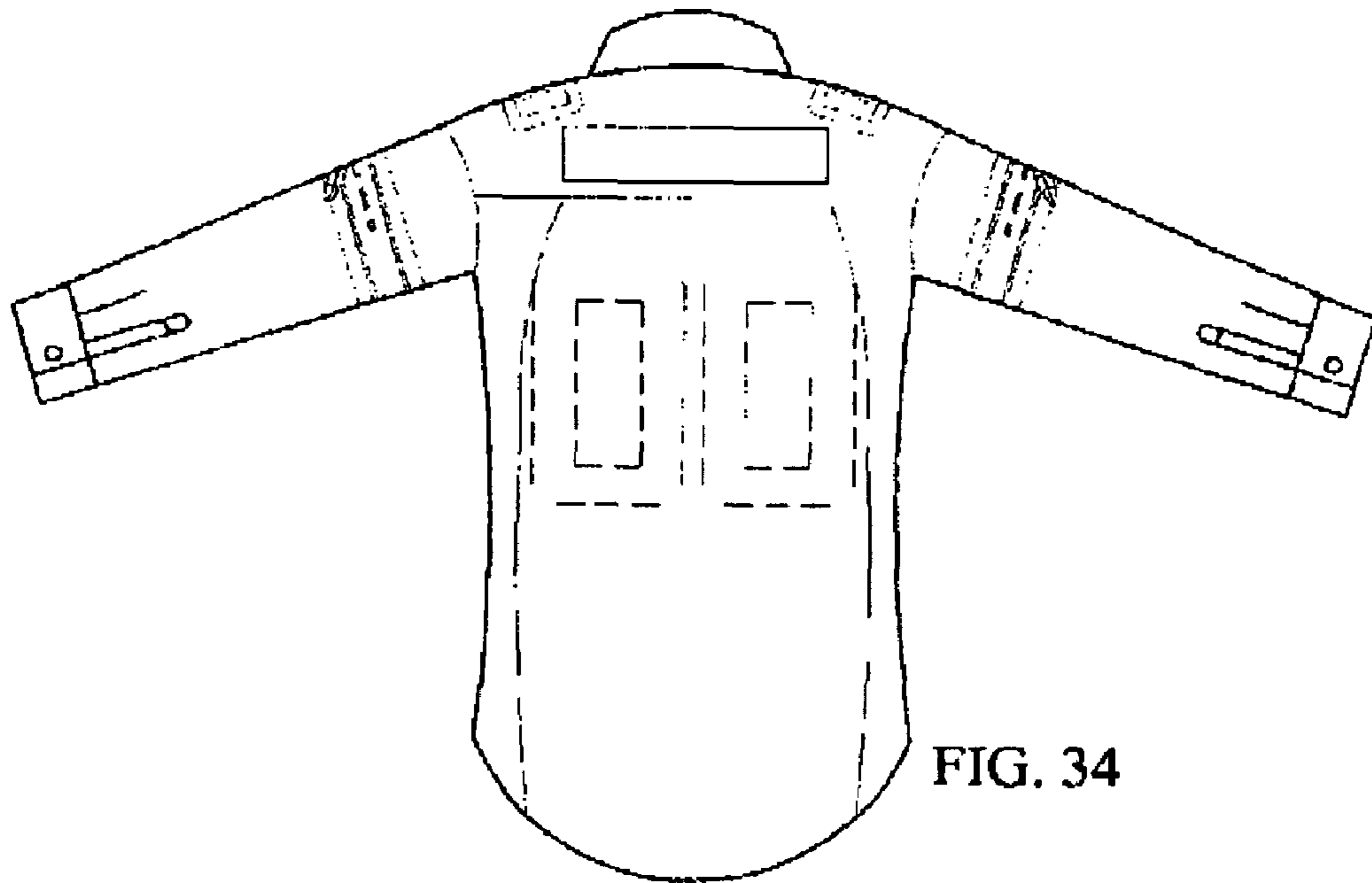


FIG. 34

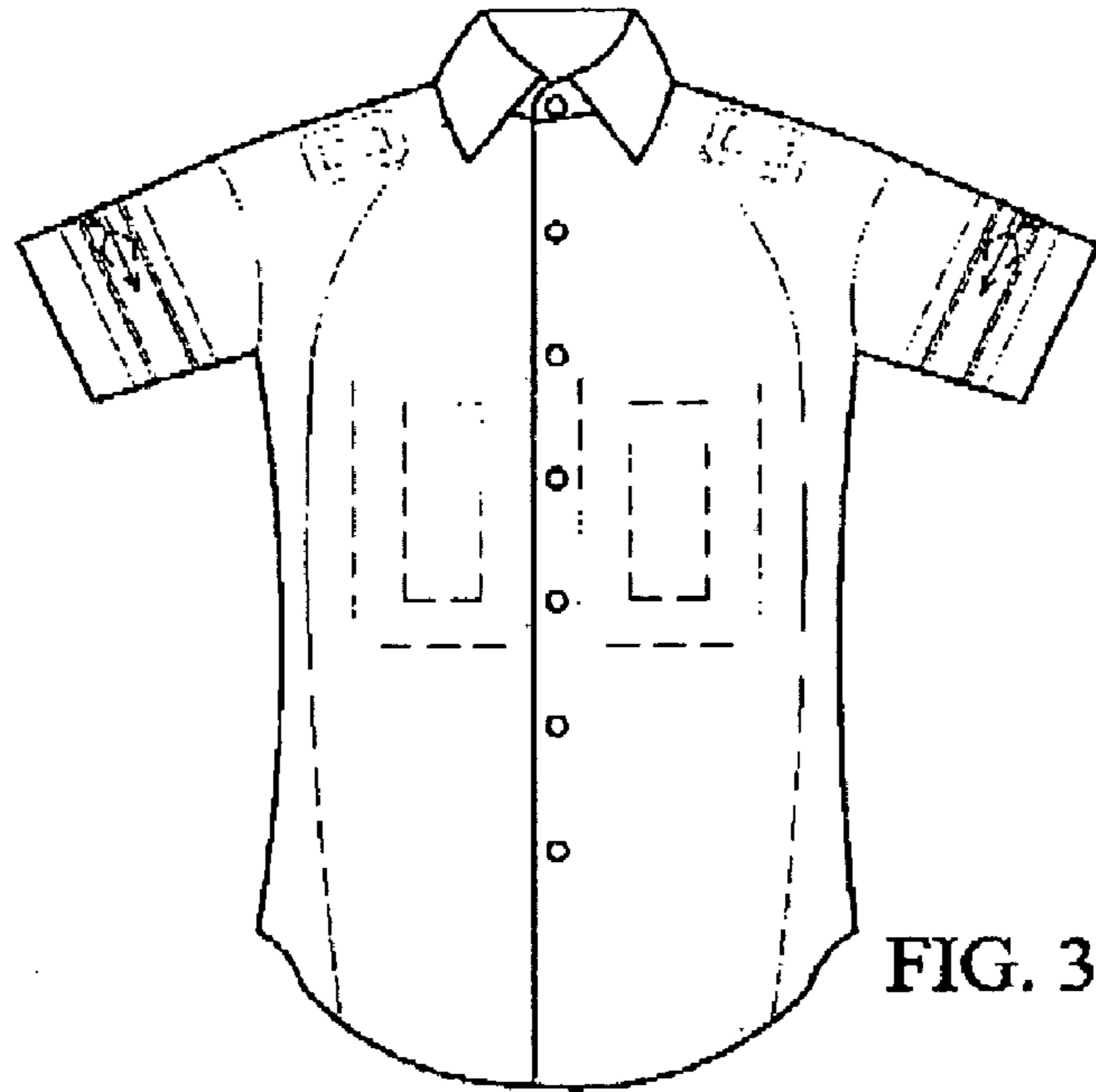


FIG. 35

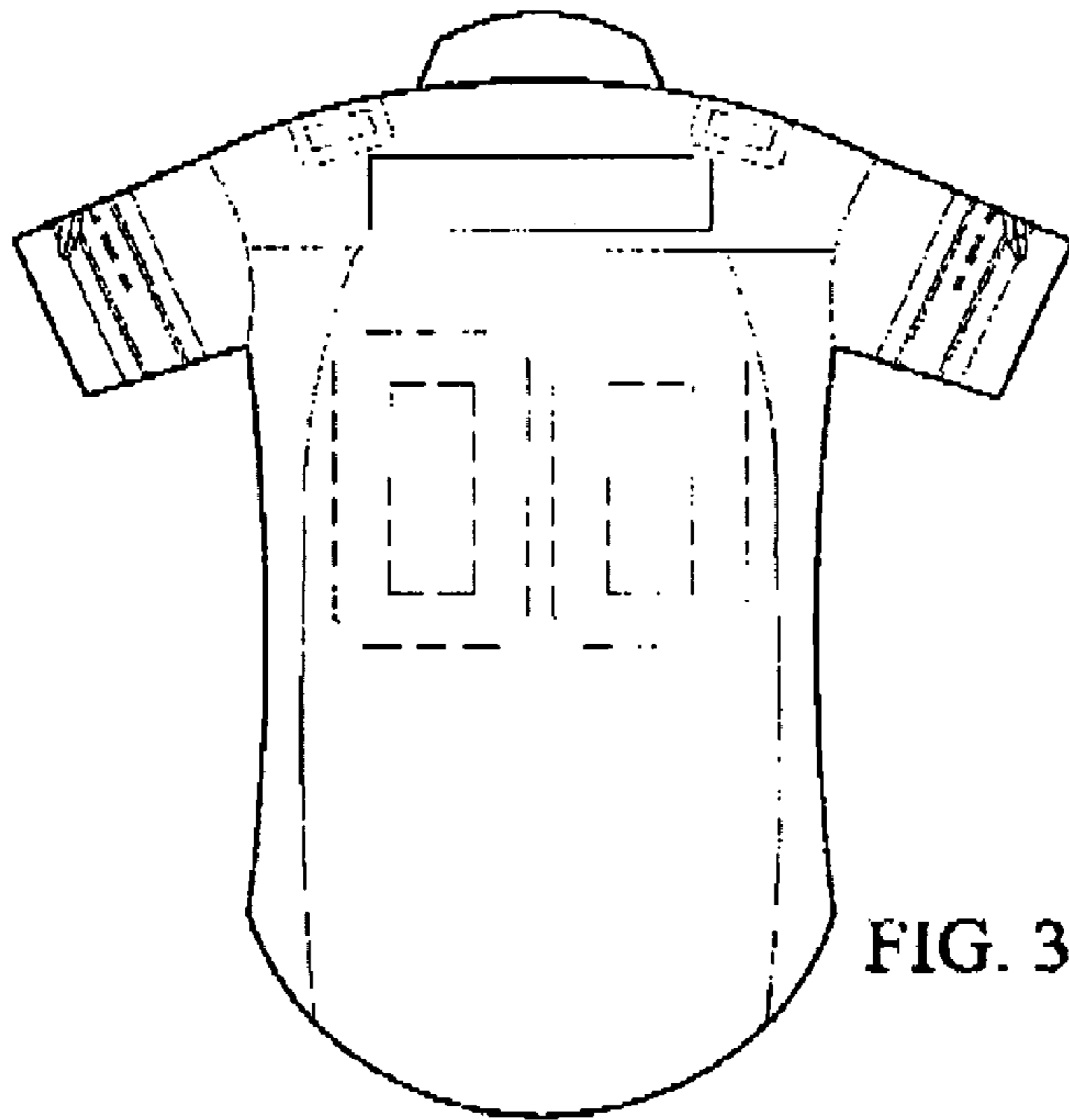


FIG. 36

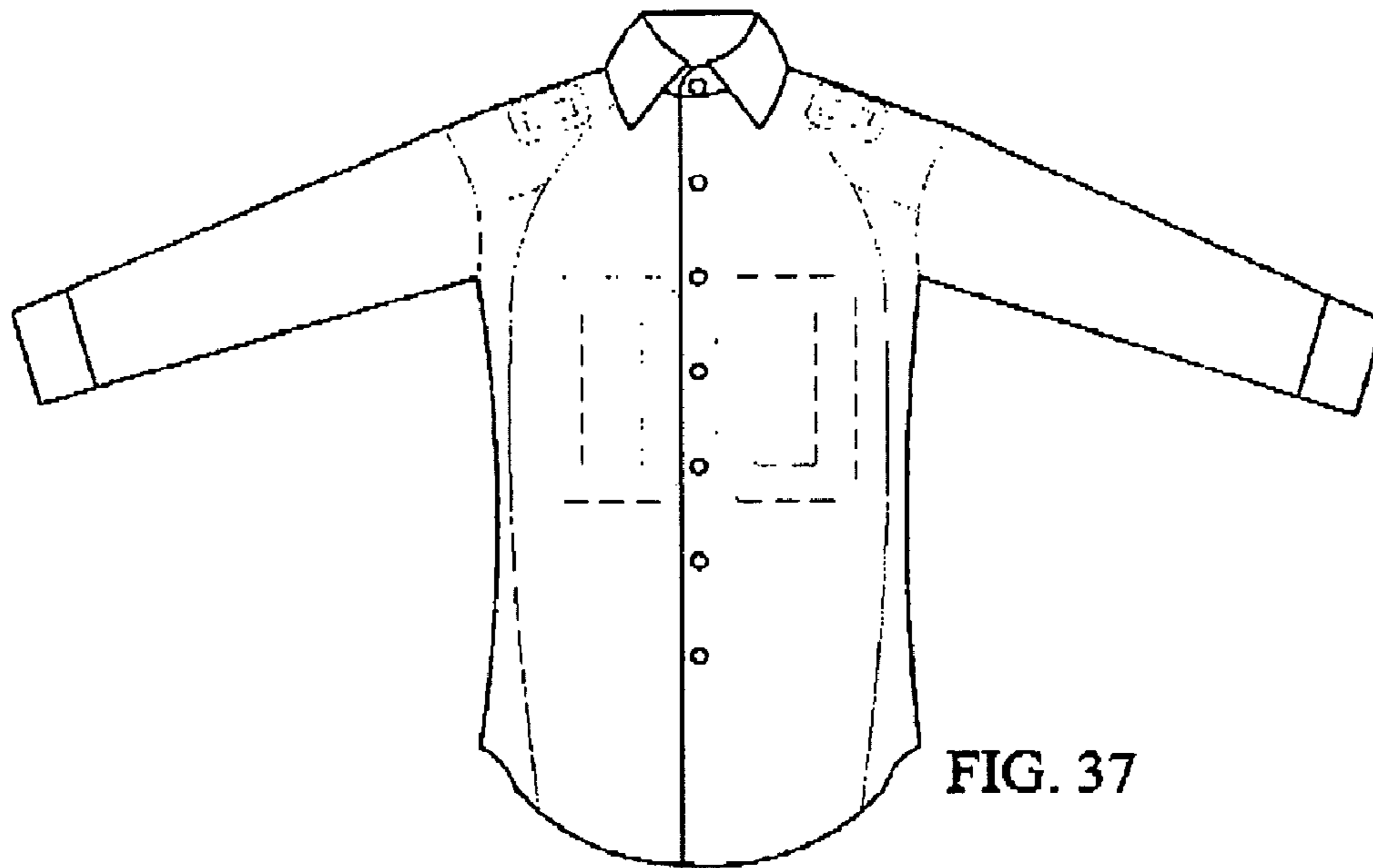


FIG. 37

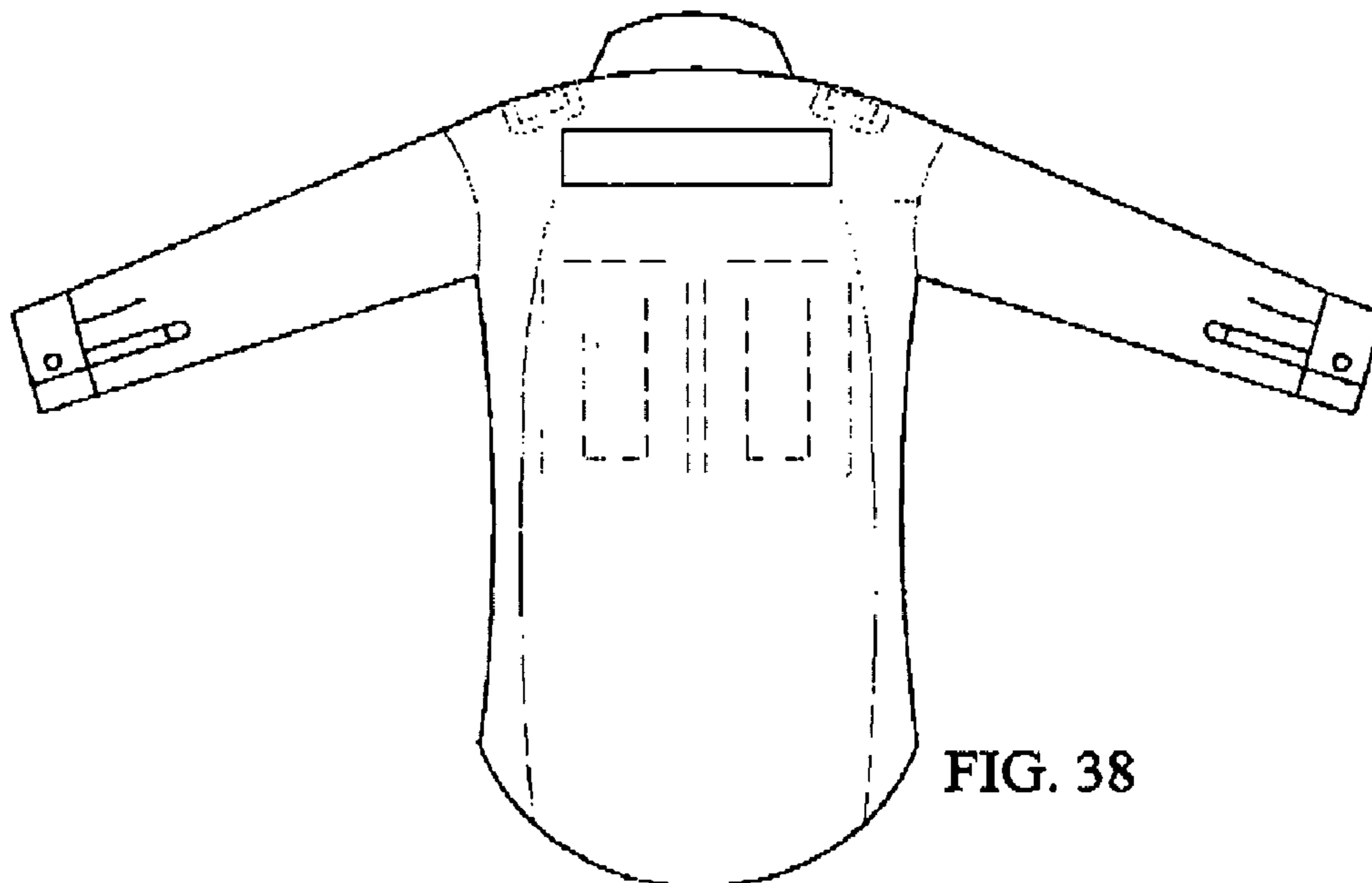


FIG. 38

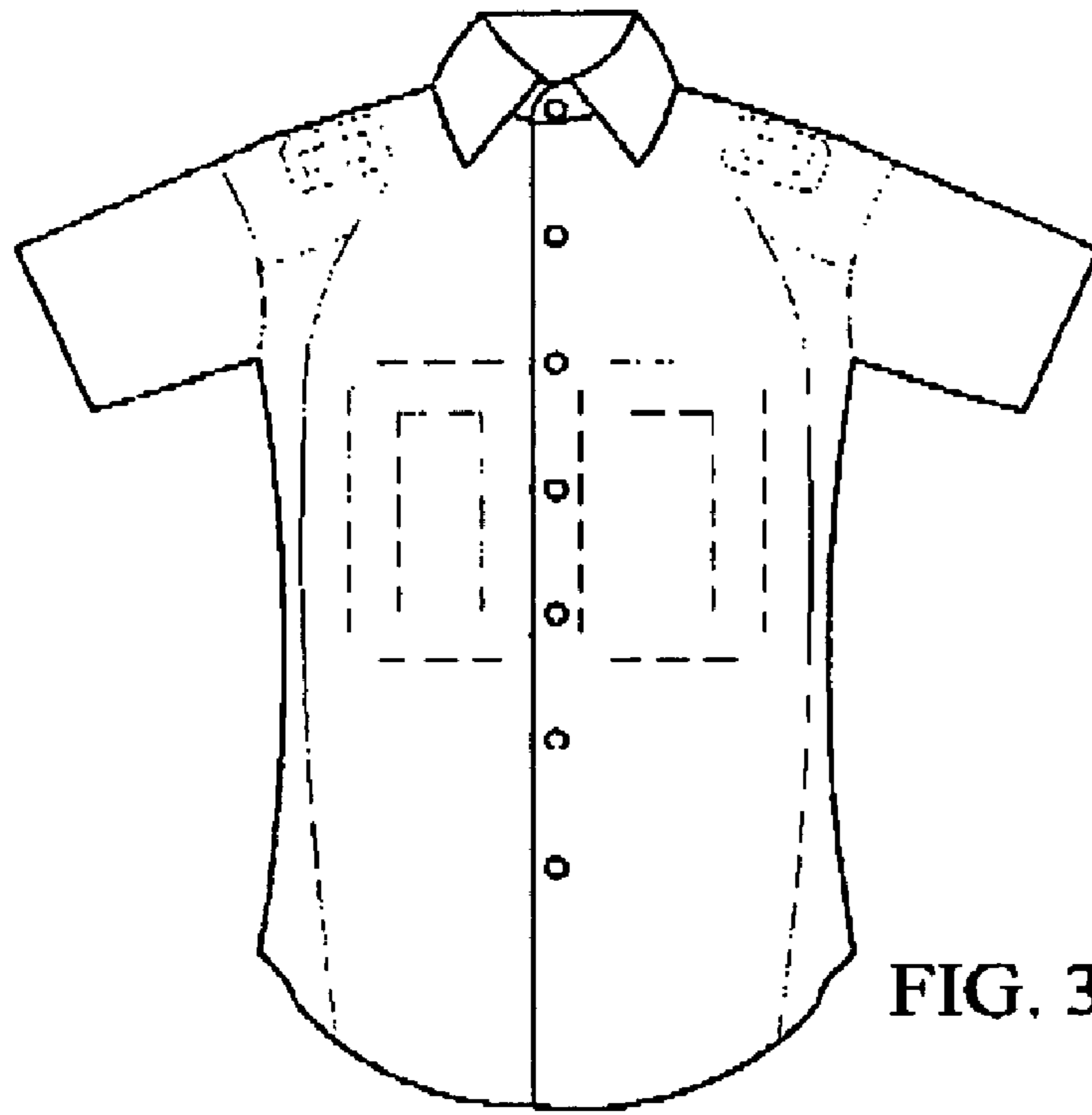


FIG. 39

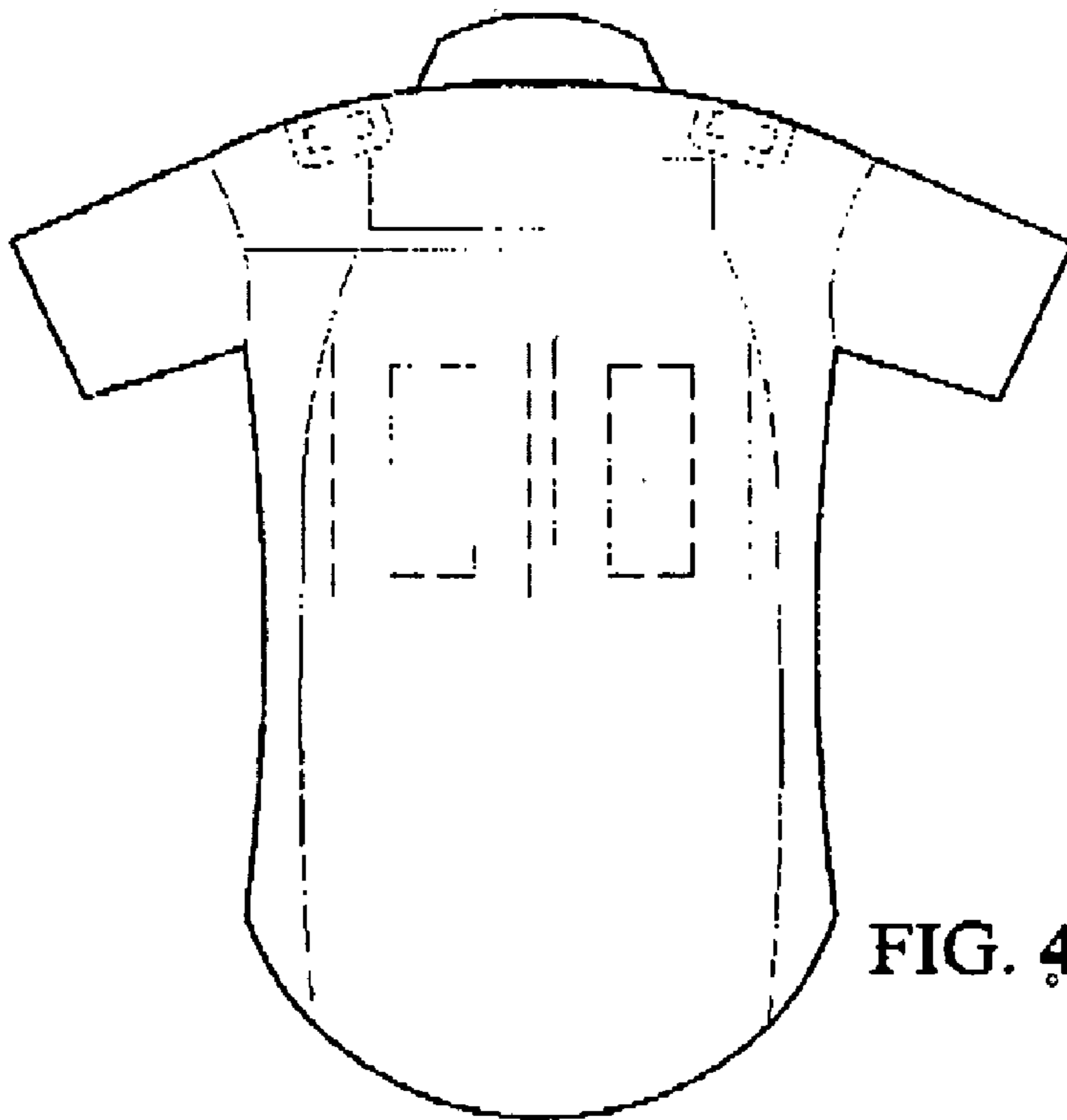


FIG. 40

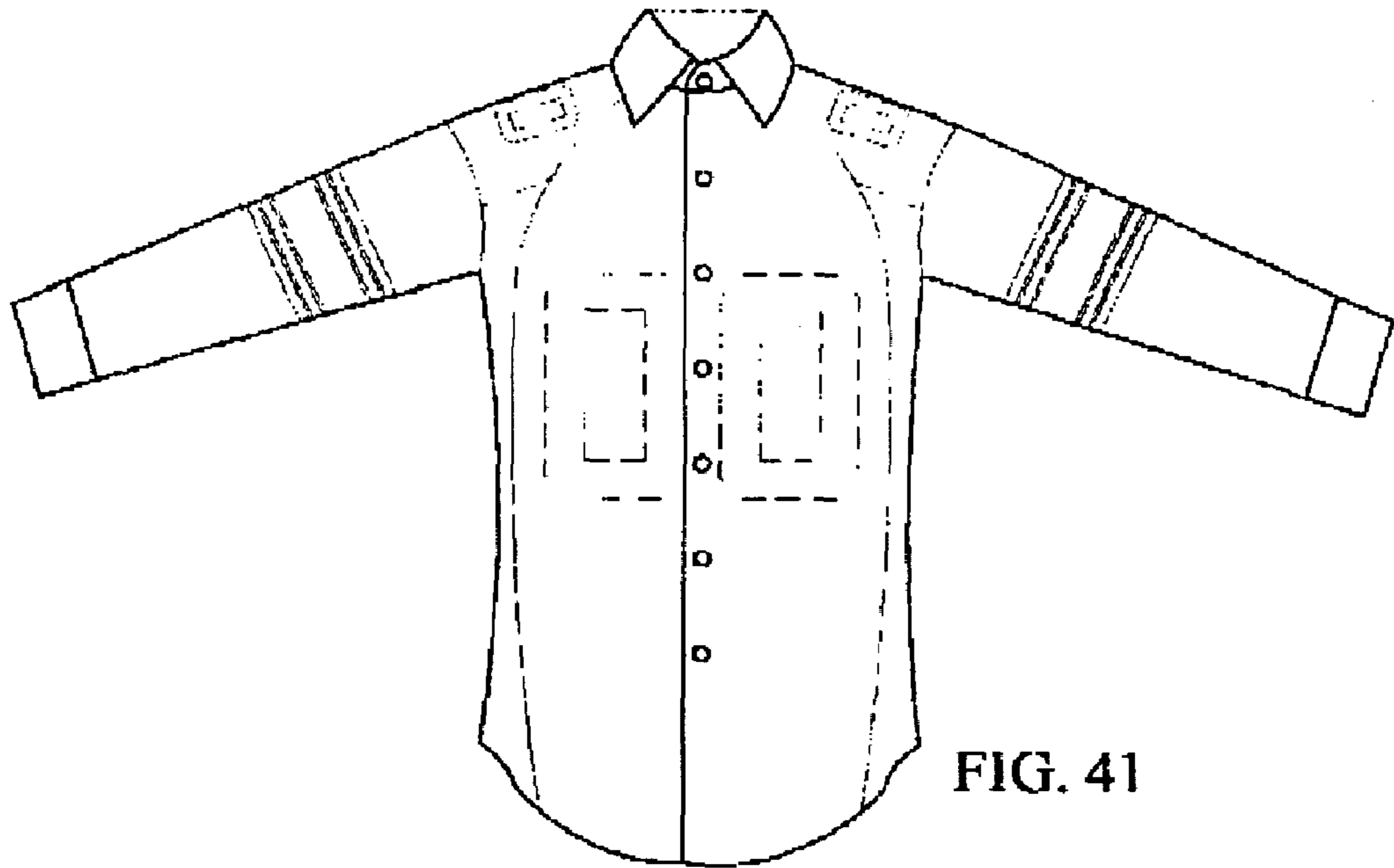


FIG. 41

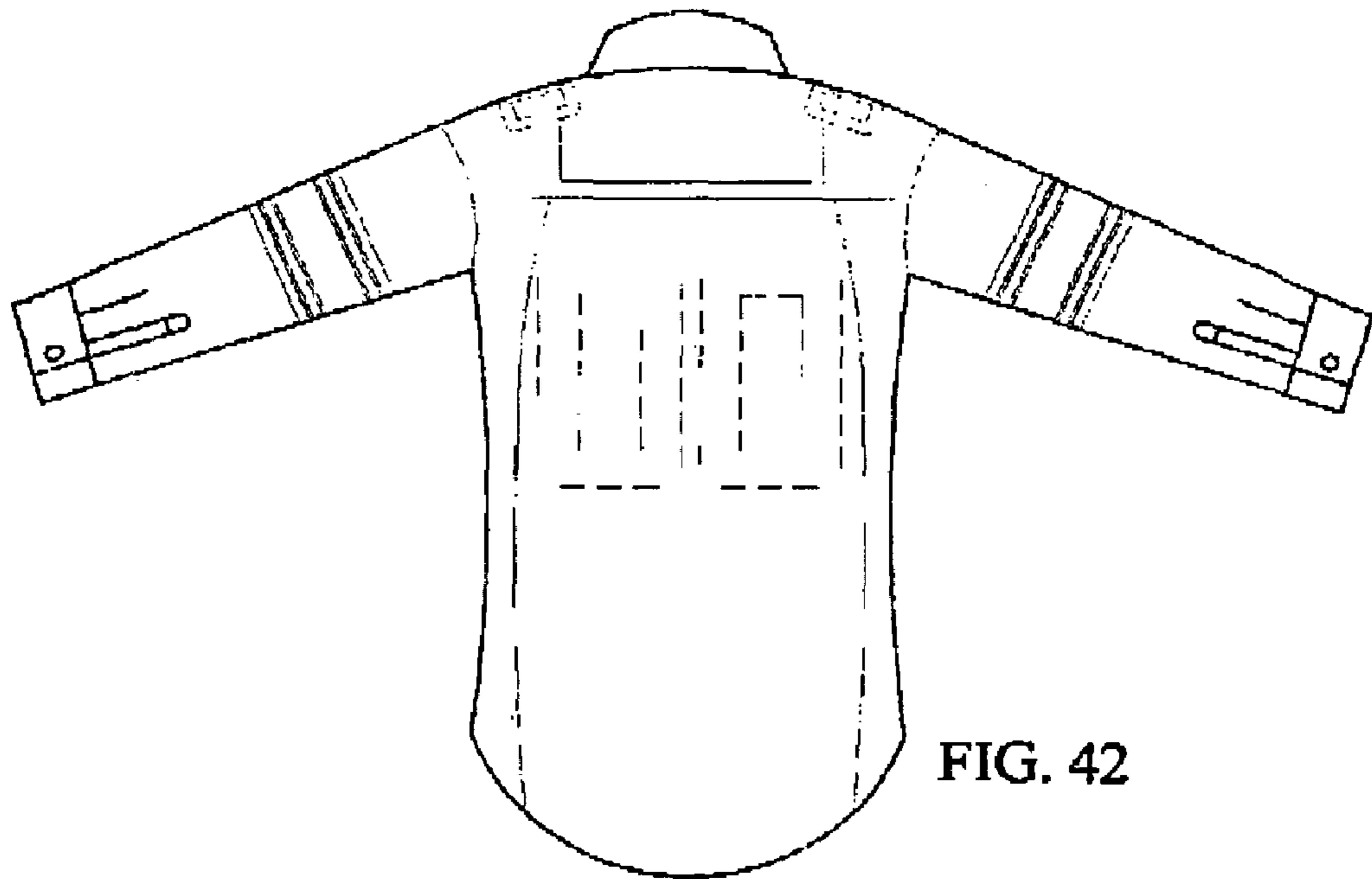


FIG. 42

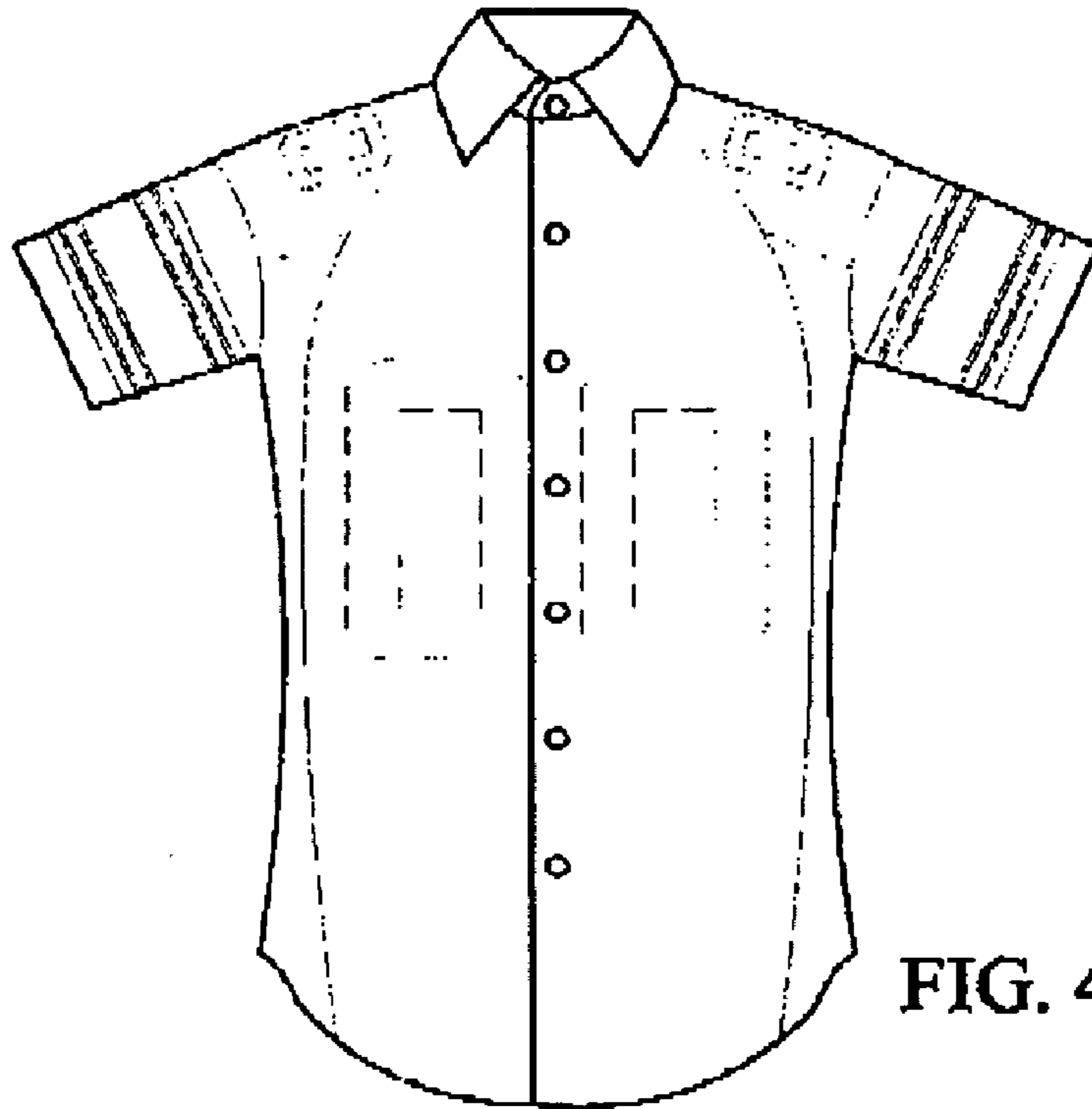


FIG. 43

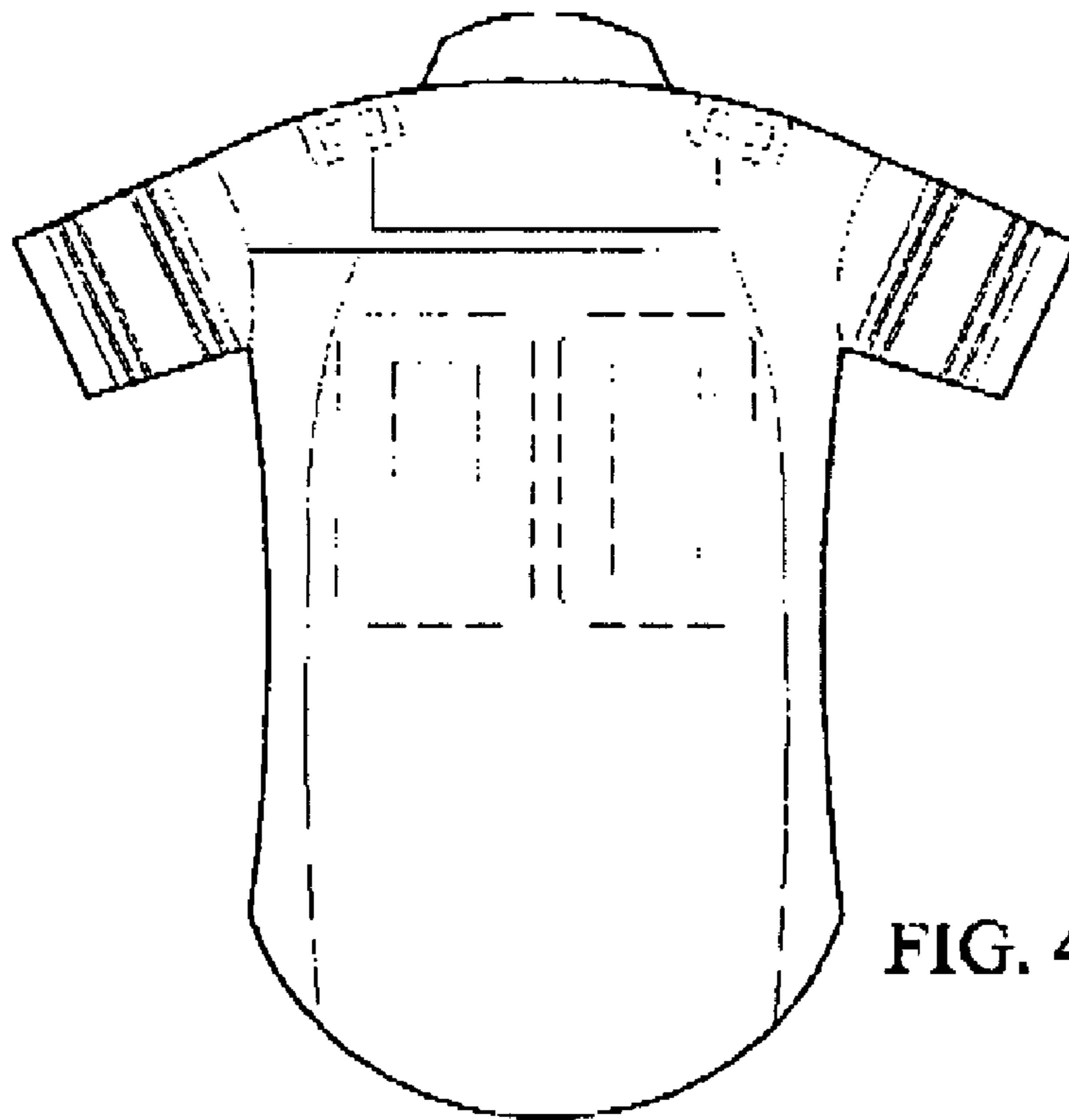


FIG. 44