



US00D586077S

(12) **United States Design Patent**
Shulman

(10) **Patent No.:** **US D586,077 S**

(45) **Date of Patent:** **** Feb. 10, 2009**

(54) **ANIMAL CHEW**

(75) Inventor: **Gerald Shulman**, Englewood, NJ (US)

(73) Assignee: **Denta Clean**, Hackensack, NJ (US)

(**) Term: **14 Years**

(21) Appl. No.: **29/287,972**

(22) Filed: **Oct. 5, 2007**

(51) **LOC (9) Cl.** **01-01**

(52) **U.S. Cl.** **D1/125; D30/160**

(58) **Field of Classification Search** D30/160;
D1/100, 104, 106, 125-128, 199; D24/101-102;
D25/119-120; 119/702, 706-711; 426/104,
426/512, 516-517, 805

See application file for complete search history.

(56) **References Cited**

U.S. PATENT DOCUMENTS

D33,140 S *	8/1900	Morss	D25/119
729,248 A *	5/1903	Yeager et al.	D1/106
3,174,364 A *	3/1965	Sims	D25/120
3,344,457 A *	10/1967	Grobert	D25/120
D229,250 S *	11/1973	Citti et al.	D1/199
D437,101 S *	2/2001	Debbouz et al.	D1/126
D492,836 S	7/2004	Lawrenson		

D501,698 S *	2/2005	McNamara	D1/199
D511,236 S *	11/2005	Crum et al.	D1/106
D513,350 S *	12/2005	Jager	D30/160
D538,507 S	3/2007	Tansey et al.		

* cited by examiner

Primary Examiner—Cathy Anne MacCormac

(74) *Attorney, Agent, or Firm*—Baker & Hostetler LLP

(57) **CLAIM**

The ornamental design for an animal chew, as shown and described.

DESCRIPTION

FIG. 1 is a perspective view of an animal chew including a broken section that indicates an indeterminate length according to a preferred embodiment of the invention;

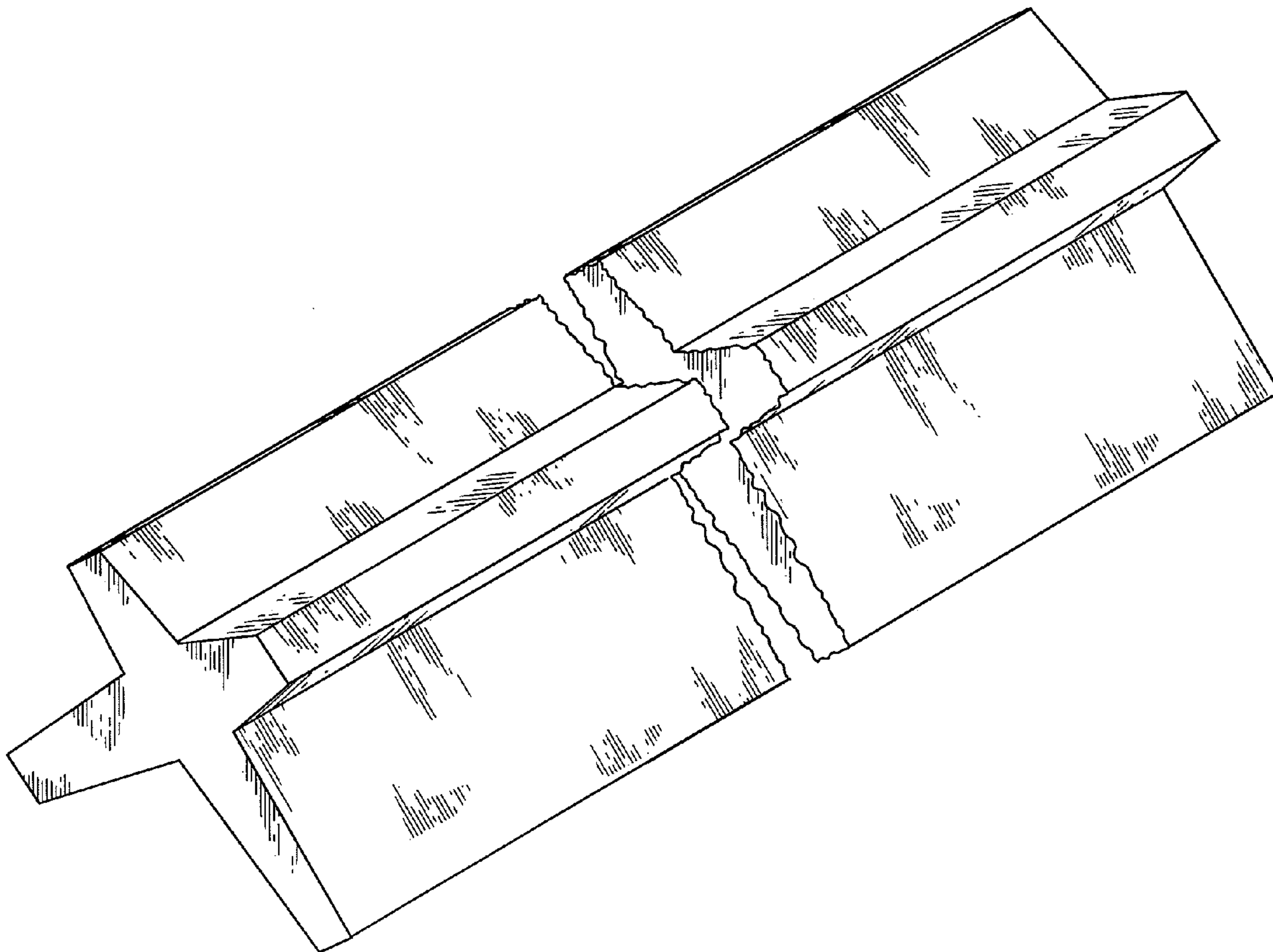
FIG. 2 is a front view of the animal chew of FIG. 1;

FIG. 3 is a top view of the animal chew of FIG. 1 including a broken section that indicates an indeterminate length;

FIG. 4 is a side view of a animal chew of FIG. 1 including a broken section that indicates an indeterminate length; and,

FIG. 5 is a bottom view of the animal chew of FIG. 1 including a broken section that indicates an indeterminate length.

1 Claim, 3 Drawing Sheets



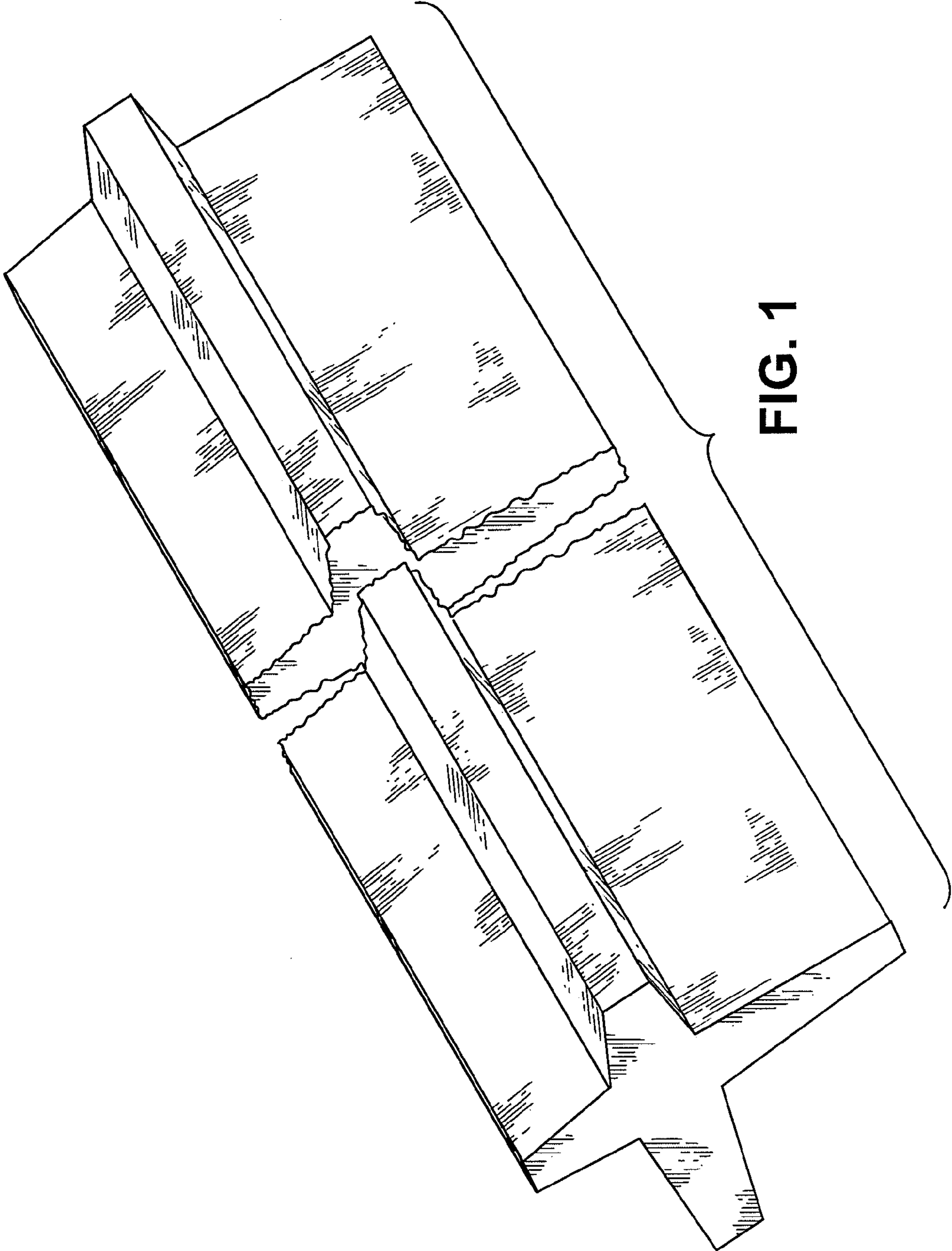


FIG. 1

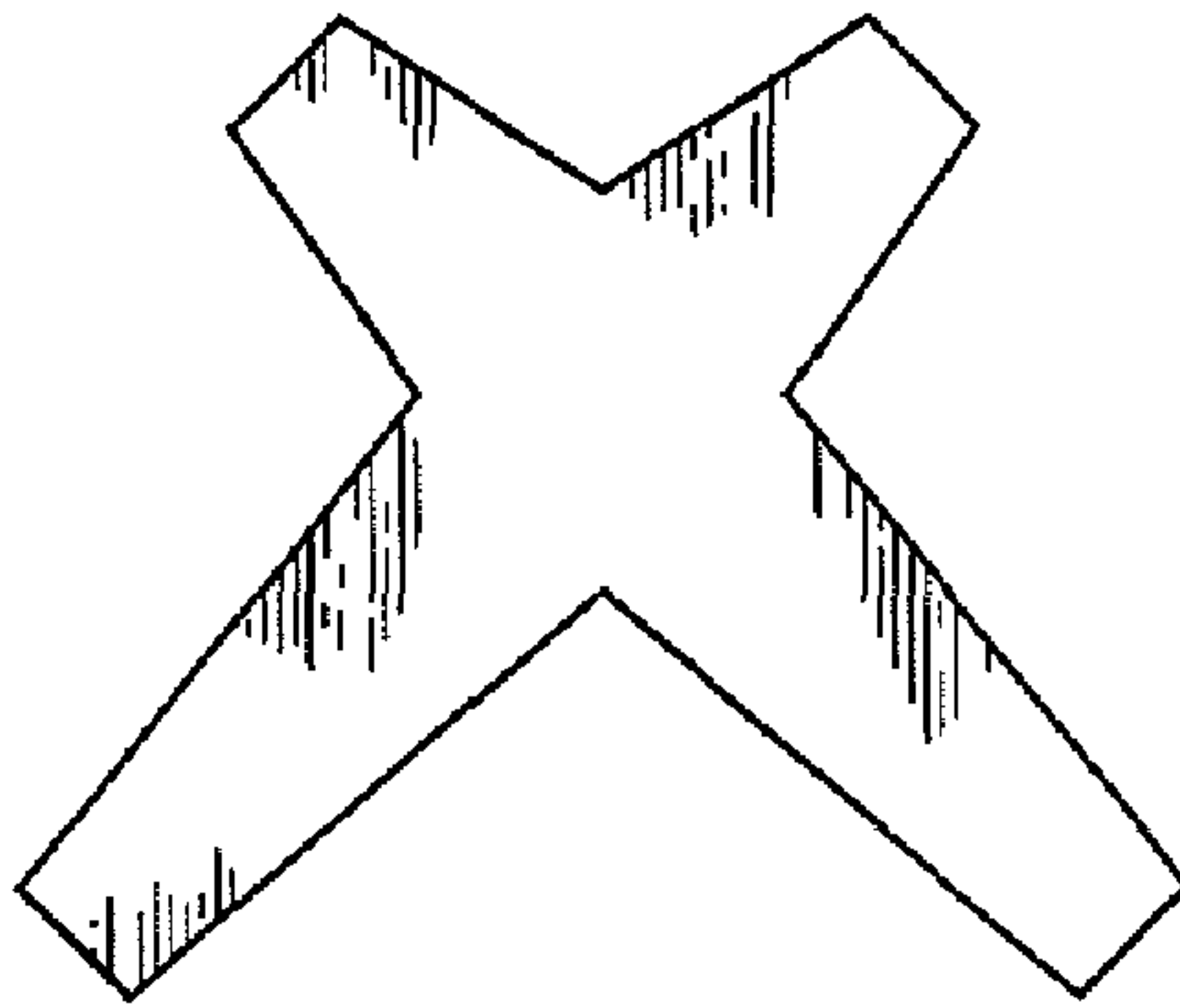


FIG. 2

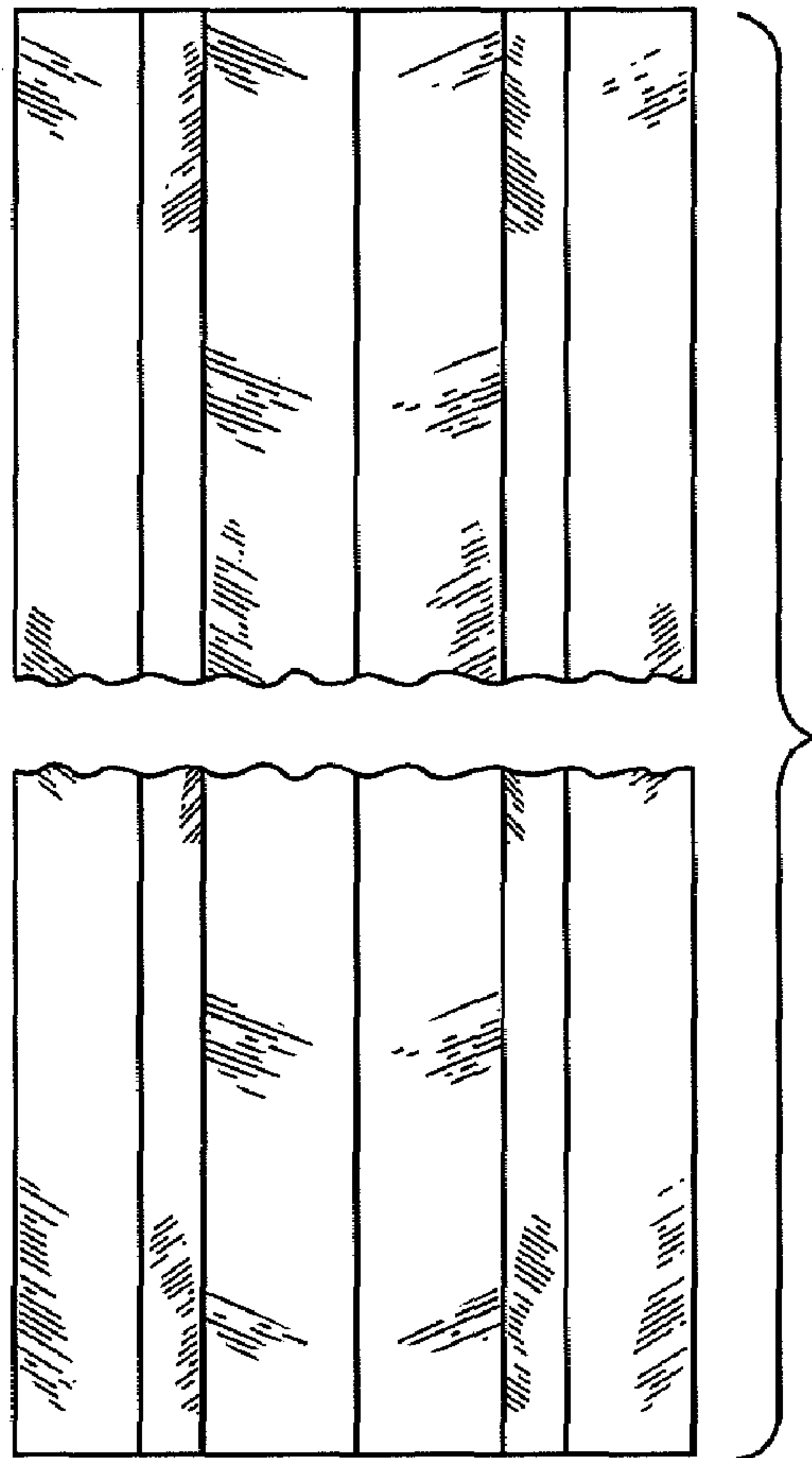


FIG. 3

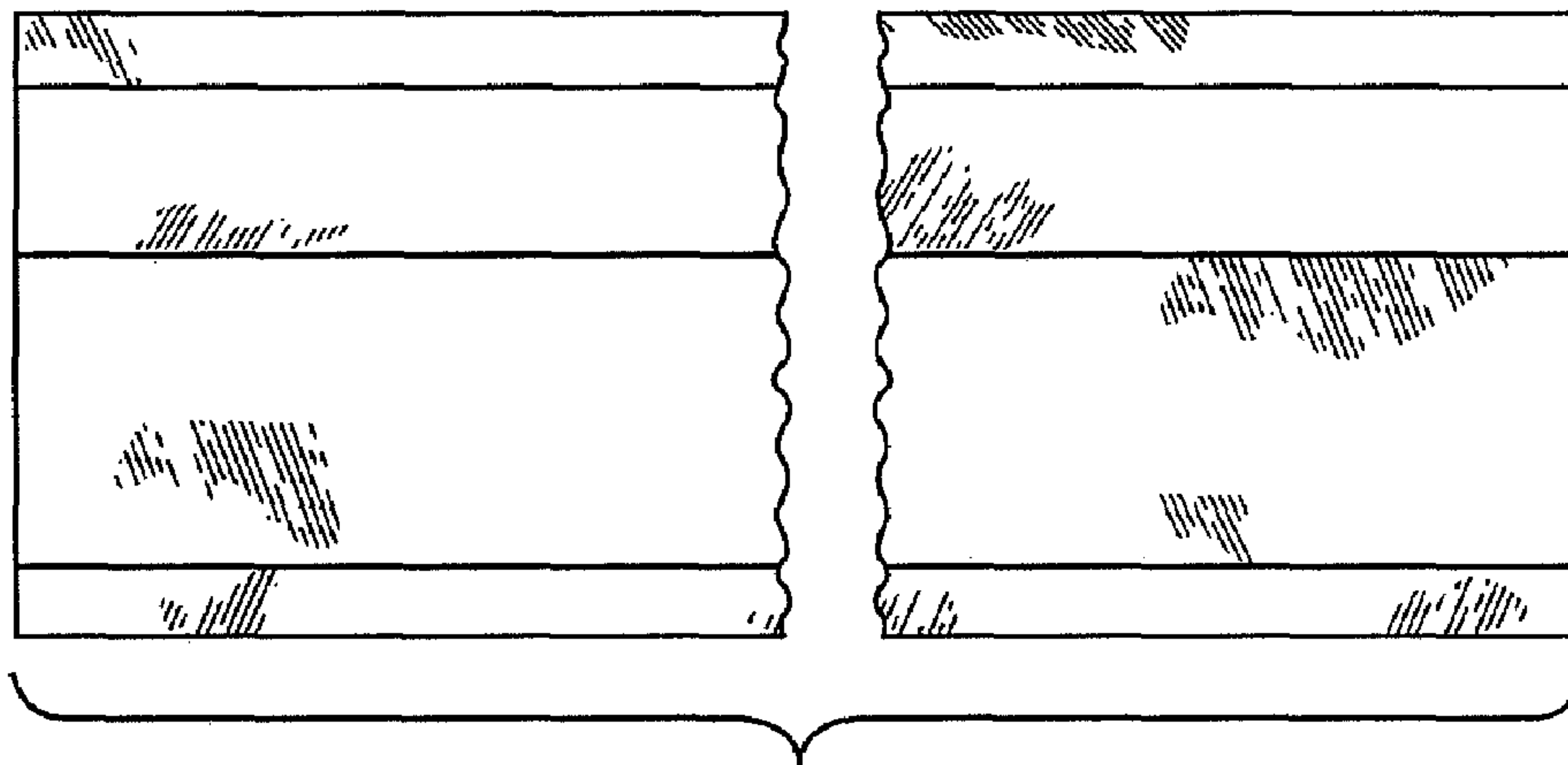


FIG. 4

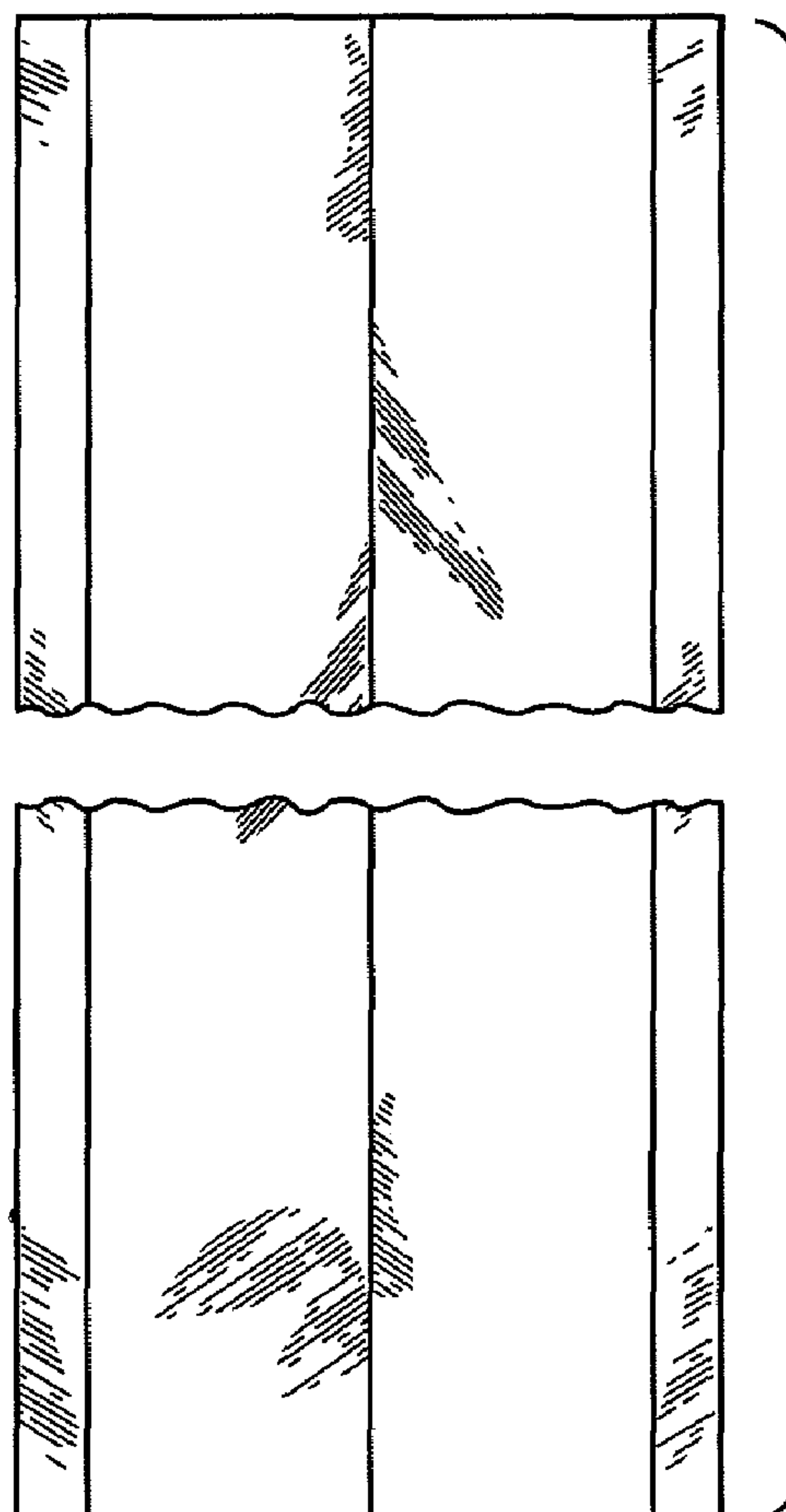


FIG. 5

UNITED STATES PATENT AND TRADEMARK OFFICE
CERTIFICATE OF CORRECTION

PATENT NO. : Des. 586,077 S
APPLICATION NO. : 29/287972
DATED : February 10, 2009
INVENTOR(S) : Gerald Shulman

Page 1 of 1

It is certified that error appears in the above-identified patent and that said Letters Patent is hereby corrected as shown below:

On the Title page:

Description:

FIG. 1, lines 2-3, please replace “broken section that indicates an indeterminate length according to a preferred embodiment of the invention;” with **--broken line section that indicates an indeterminate length;--**

Signed and Sealed this

Twenty-fourth Day of March, 2009



JOHN DOLL

Acting Director of the United States Patent and Trademark Office