



US00D586075S

(12) **United States Design Patent**
Wiley

(10) **Patent No.:** **US D586,075 S**

(45) **Date of Patent:** **** Feb. 3, 2009**

(54) **COMBINED SPACING CONE AND COLLAR**

5,799,586 A * 9/1998 Teixidor Casanovas
et al. 108/56.3
D474,871 S * 5/2003 Bas D34/38
D567,473 S * 4/2008 Hutter, III D34/38

(76) Inventor: **Harold Elden Wiley**, 17949 E. Archer,
Catoosa, OK (US) 74015

* cited by examiner

(**) Term: **14 Years**

Primary Examiner—Cynthia E Ramirez

(21) Appl. No.: **29/305,262**

(74) *Attorney, Agent, or Firm*—Molly D. McKay

(22) Filed: **Mar. 17, 2008**

(57) **CLAIM**

(51) **LOC (9) Cl.** **09-08**

The ornamental design for a combined spacing cone and collar, as shown and described.

(52) **U.S. Cl.** **D34/38**

(58) **Field of Classification Search** D34/38;
D8/349, 354, 355; 108/51.11, 51.3, 55.3,
108/56.1, 57.1; 211/59.4; D25/199; 248/346.02,
248/200.1; 52/309.11

DESCRIPTION

See application file for complete search history.

FIG. 1 is a perspective view of the combined spacing cone and collar of the present invention;

FIG. 2 is a side view thereof;

FIG. 3 is a front view thereof;

FIG. 4 is a cross sectional view taken along line 4—4 of FIG. 3

FIG. 5 is a top plan view thereof;

FIG. 6 is a bottom plan view thereof;

FIG. 7 is an illustrative perspective view showing only the spacing cone section thereof; and,

FIG. 8 is an illustrative perspective view showing the combination of the spacing cone and collar thereof.

(56) **References Cited**

U.S. PATENT DOCUMENTS

3,430,407	A *	3/1969	Berry	52/689
D256,346	S *	8/1980	Annis	D34/38
D257,247	S *	10/1980	Powers	D34/38
4,292,900	A *	10/1981	Bula	108/57.31
D272,473	S *	1/1984	Larsson	D25/133
4,772,519	A *	9/1988	Irvine	428/542.8
4,966,084	A *	10/1990	Motomaru	108/51.3
D338,311	S *	8/1993	Ausavich et al.	D34/38
D370,763	S *	6/1996	Pigott et al.	D34/38
5,669,315	A *	9/1997	Model	108/56.3

1 Claim, 4 Drawing Sheets

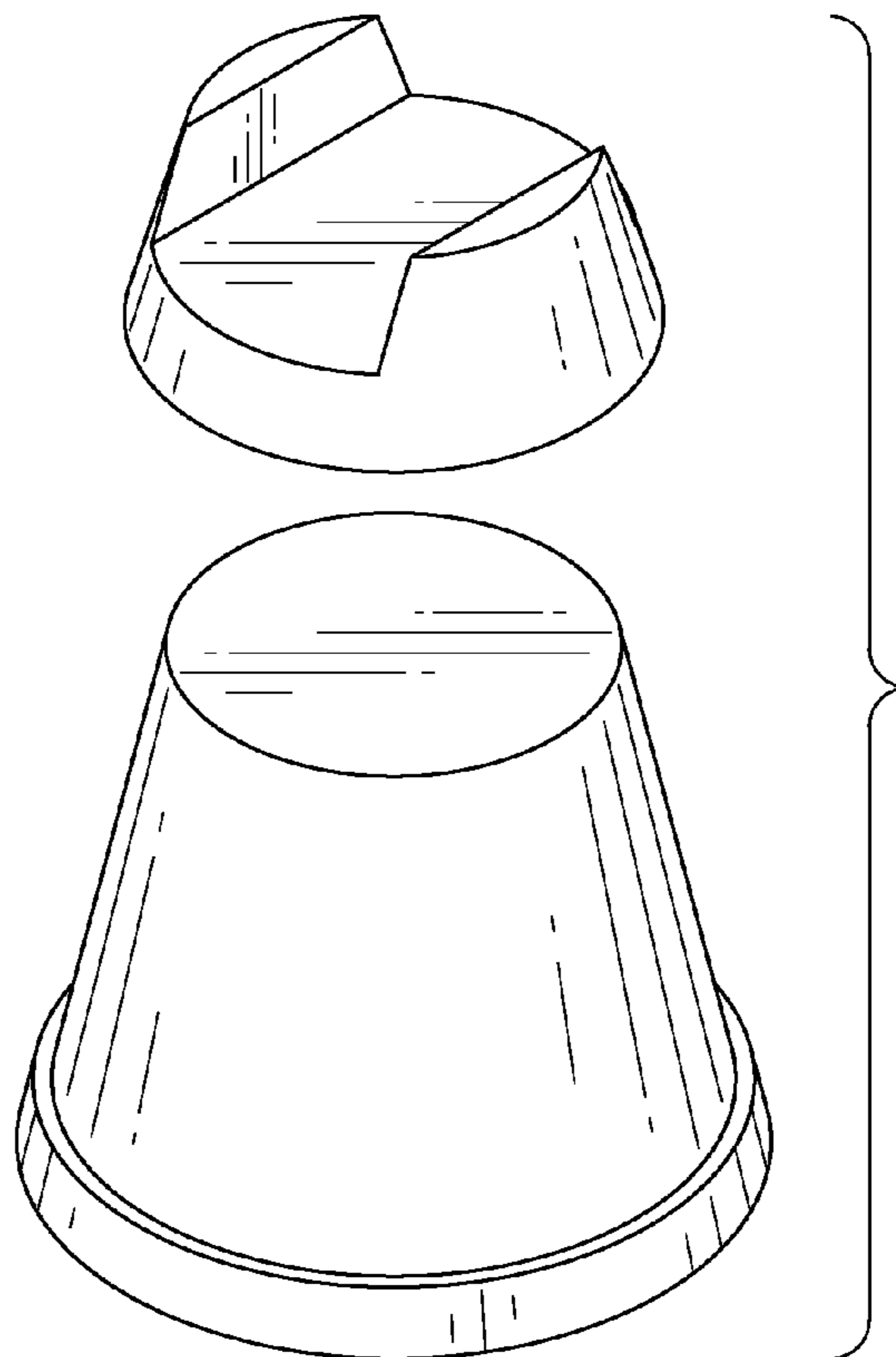


FIG. 1

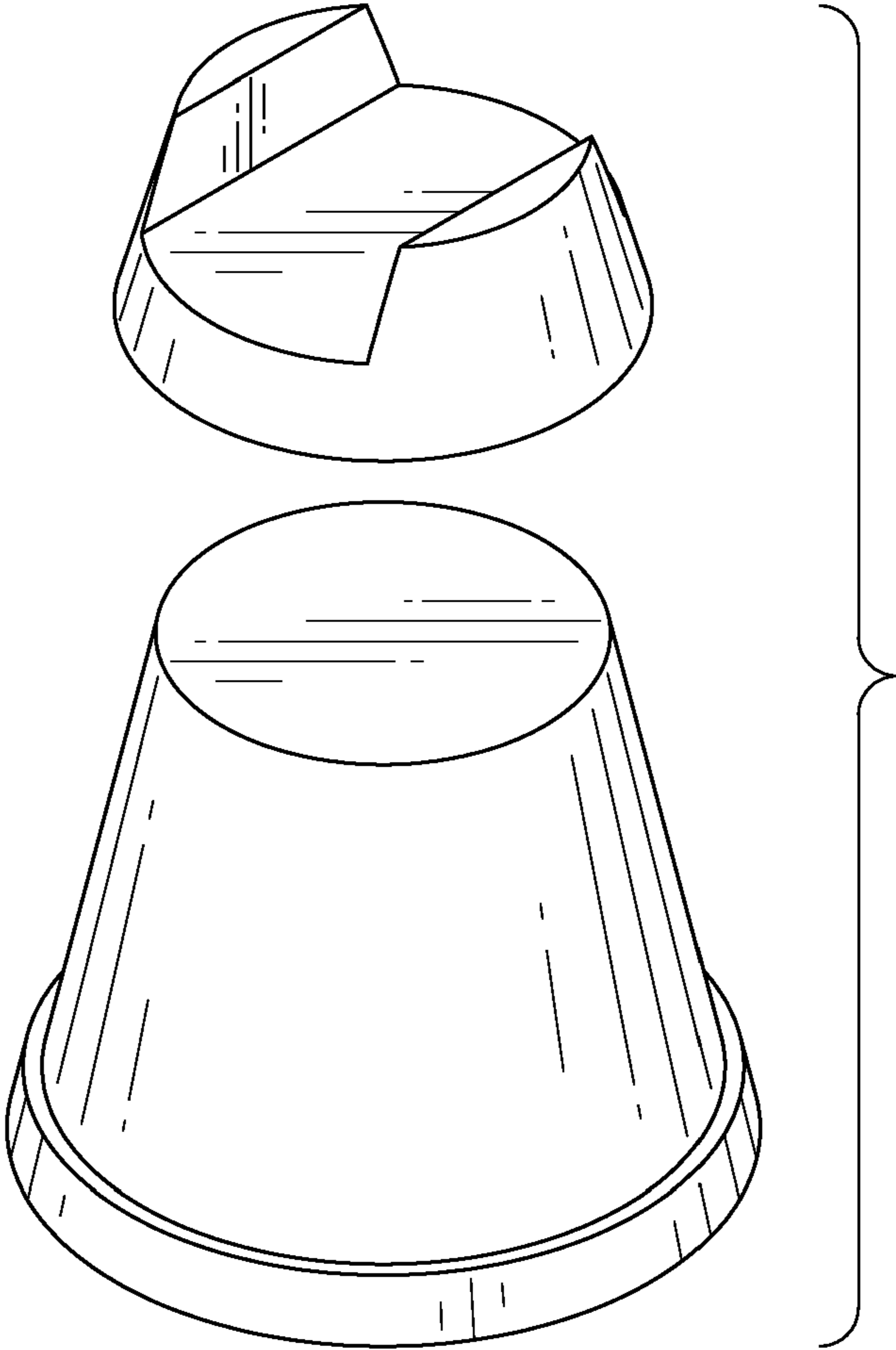


FIG. 2

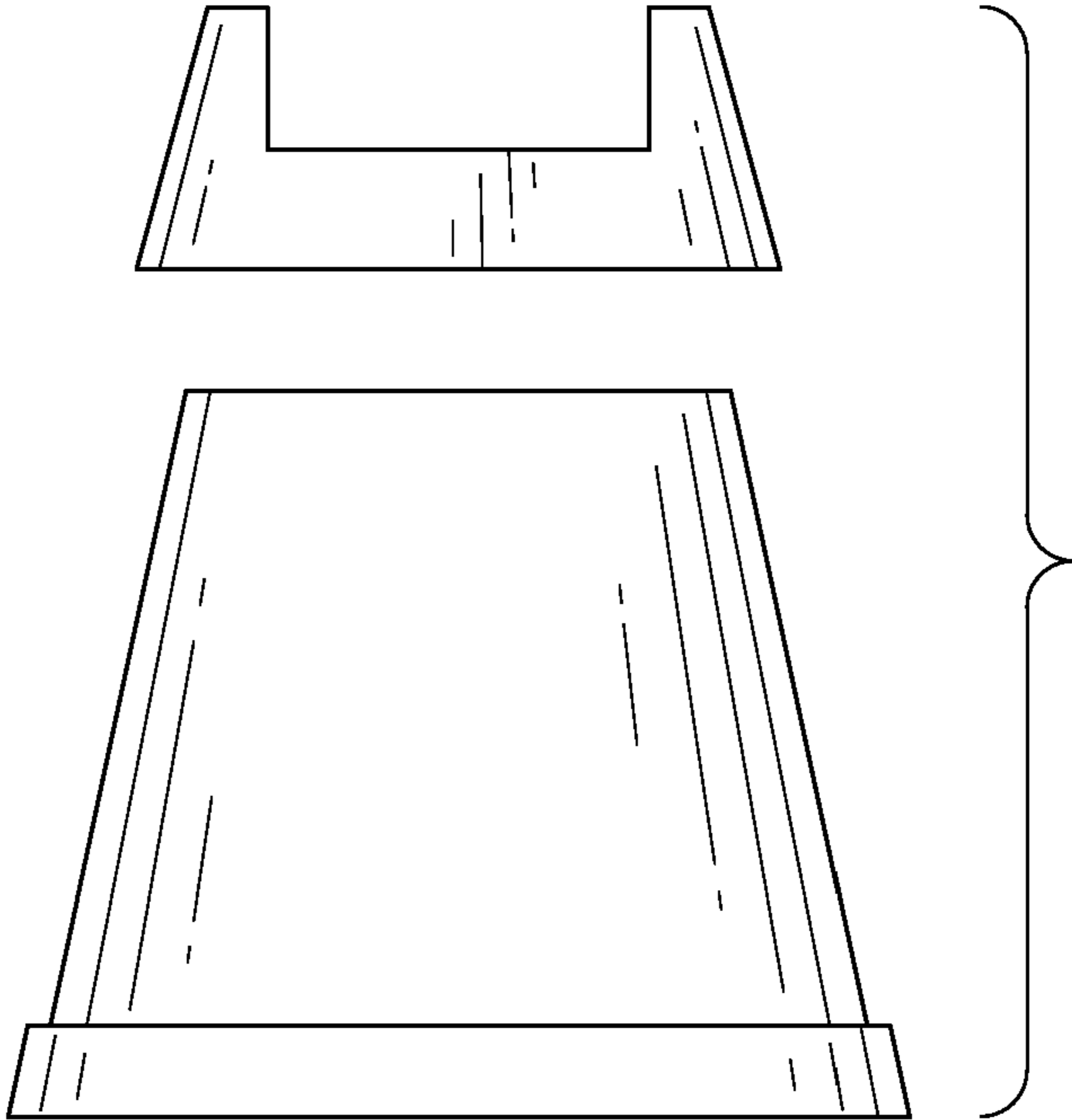


FIG. 3

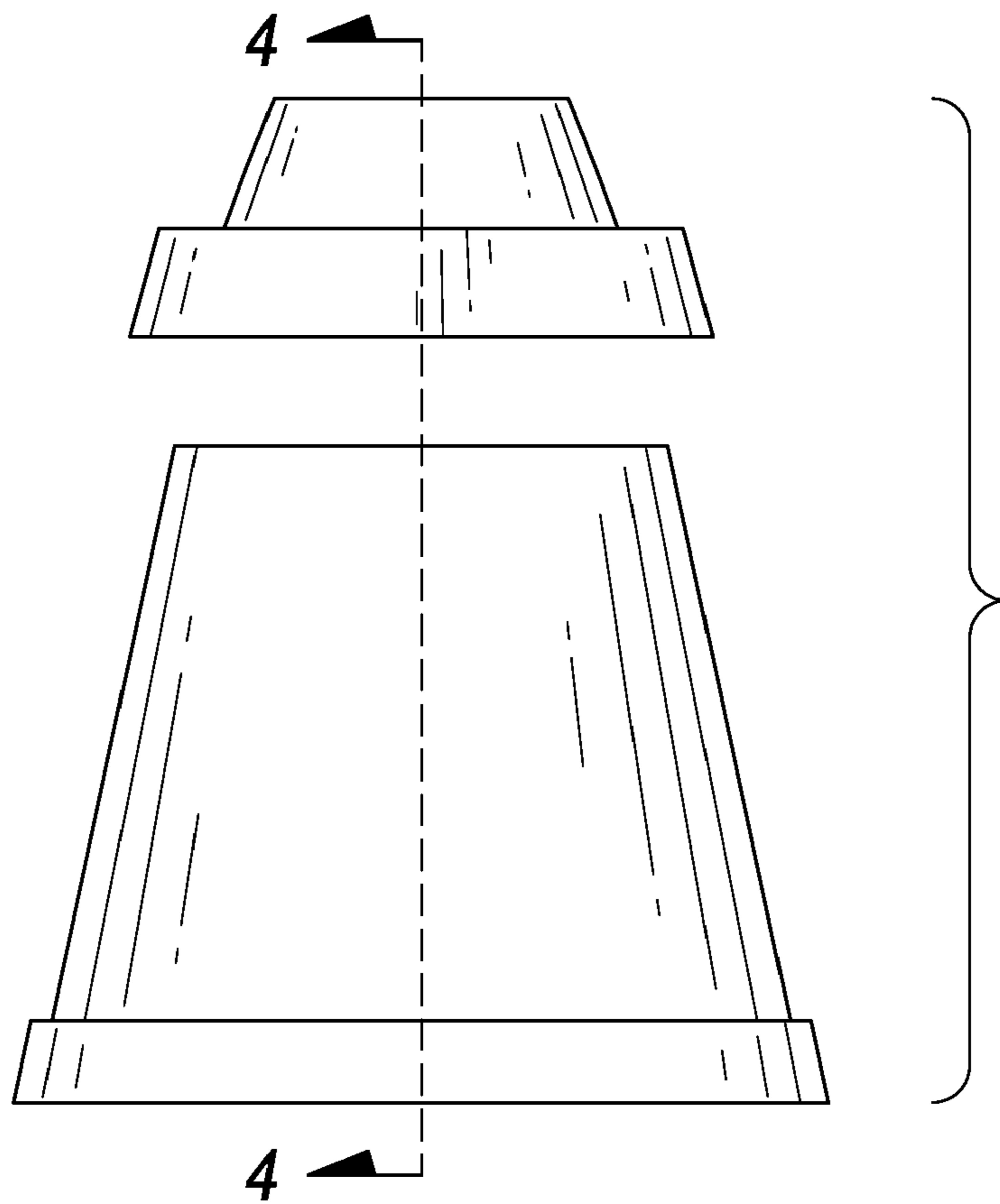
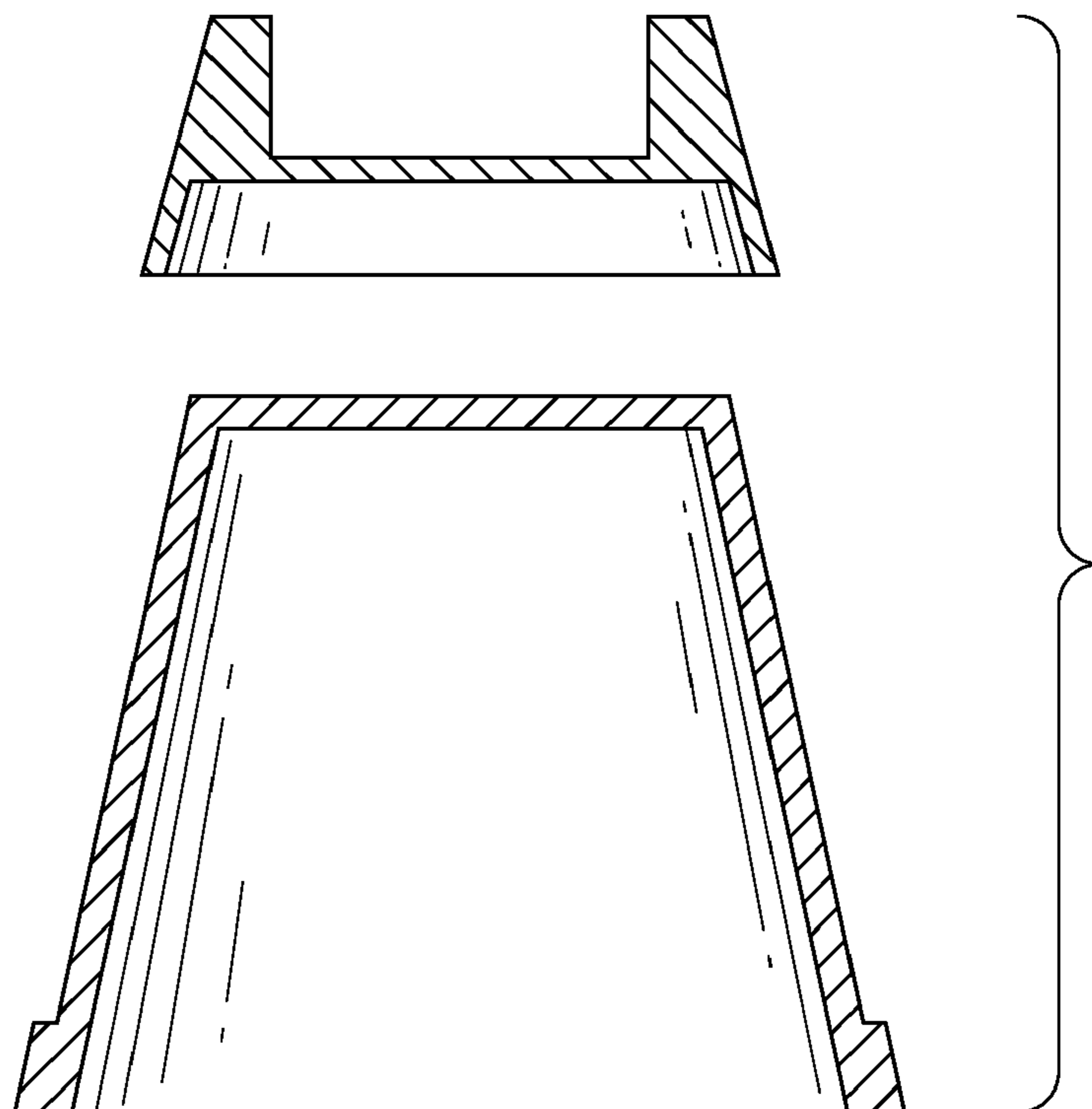


FIG. 4



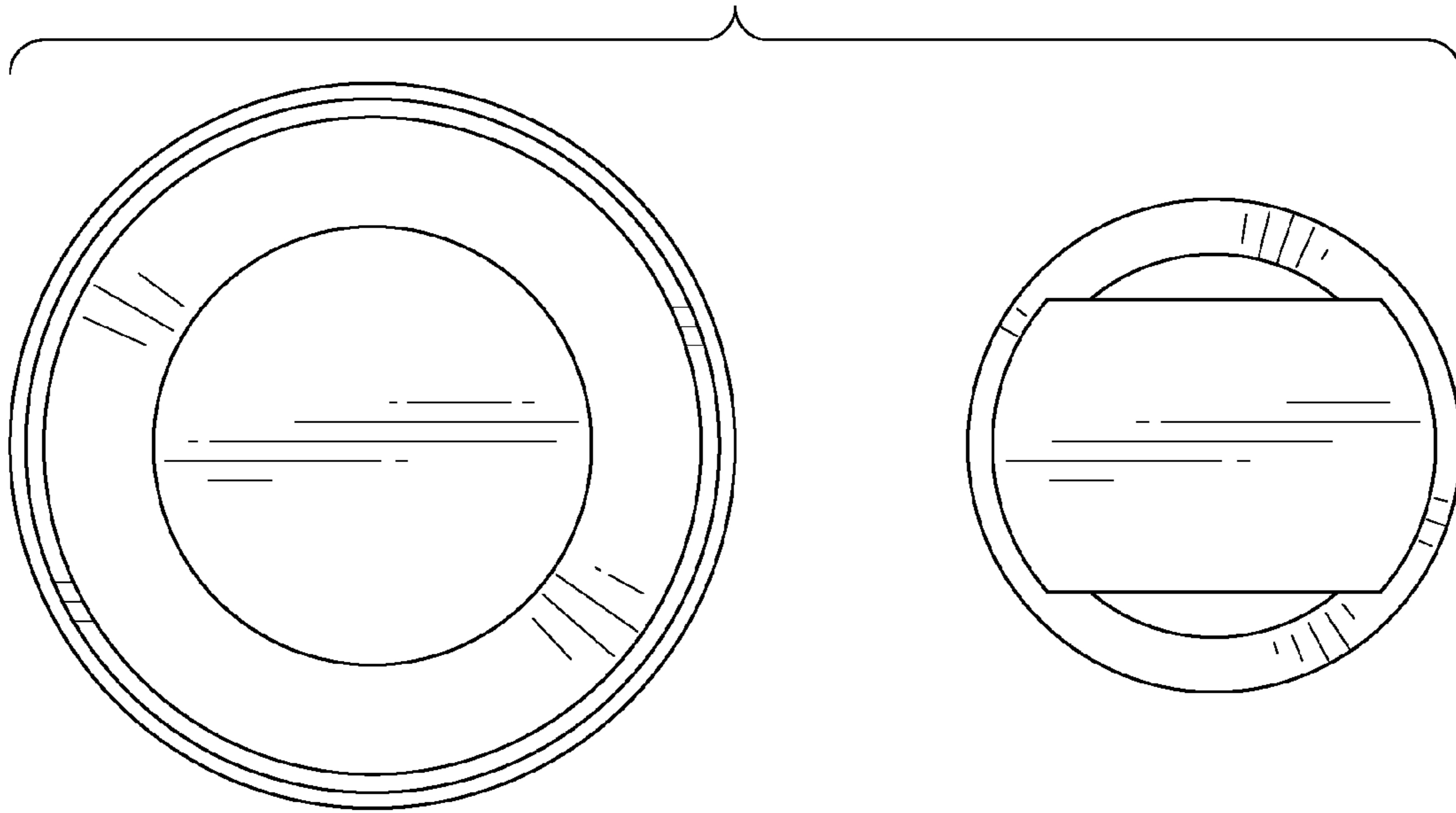


FIG. 5

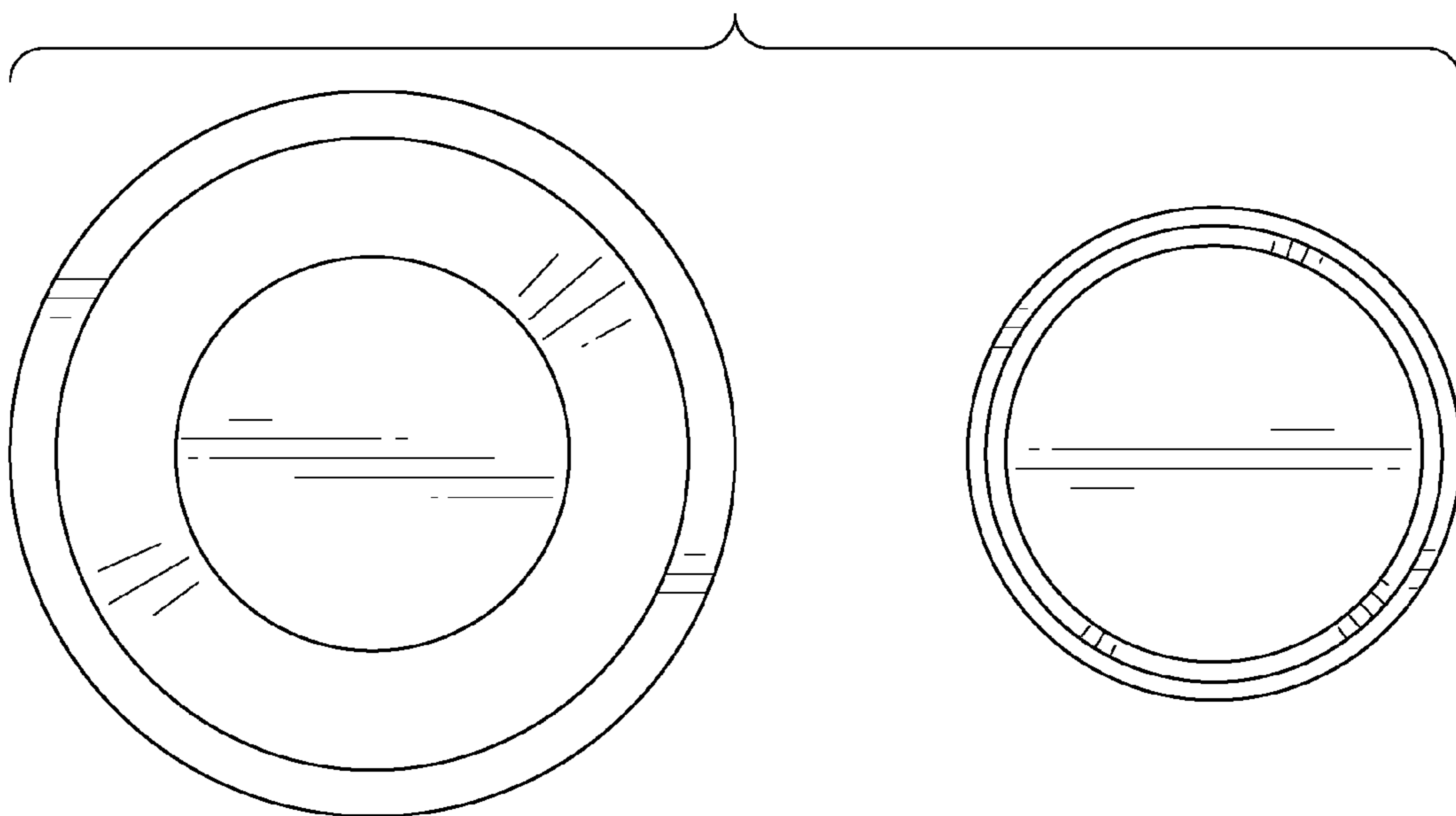


FIG. 6

FIG. 7

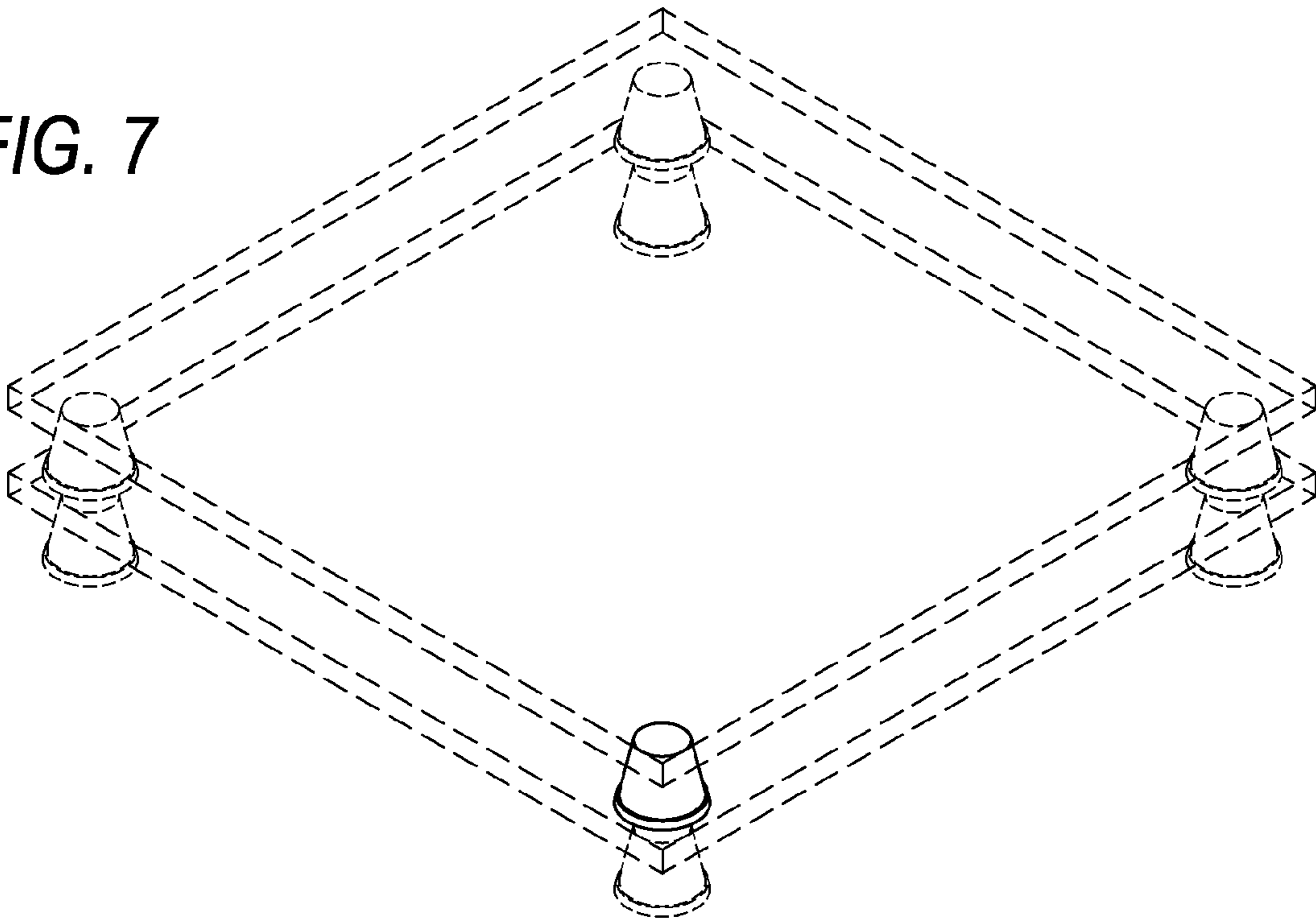


FIG. 8

