



US00D586074S

(12) **United States Design Patent**
Auf der Maur

(10) **Patent No.:** **US D586,074 S**
(45) **Date of Patent:** **** Feb. 3, 2009**

(54) **TRANSPORT GRIPPER**

(75) Inventor: **Konrad Auf der Maur**, Gossau (CH)

(73) Assignee: **Ferag AG**, Hinwil (CH)

(**) Term: **14 Years**

(21) Appl. No.: **29/249,554**

(22) Filed: **Oct. 12, 2006**

(30) **Foreign Application Priority Data**

Apr. 13, 2006 (CH) 132800

(51) **LOC (9) Cl.** **12-05**

(52) **U.S. Cl.** **D34/35; D34/29**

(58) **Field of Classification Search** D34/28,
D34/29, 35; 198/851, 838, 853, 825; 104/93,
104/153, 106, 150; 271/99, 10.04, 10.01,
271/11, 10.11

See application file for complete search history.

(56) **References Cited**

U.S. PATENT DOCUMENTS

D142,093 S * 8/1945 Kennedy D15/32

(Continued)

Primary Examiner—Cynthia E Ramirez

(74) *Attorney, Agent, or Firm*—Rankin, Hill & Clark LLP

(57) **CLAIM**

The ornamental design for a transport gripper, as shown and described.

DESCRIPTION

FIG. 1 is a perspective view of a first embodiment of a transport gripper showing my new design;

FIG. 2 is a second perspective view thereof;

FIG. 3 is a front elevational view thereof;

FIG. 4 is a top plan view thereof;

FIG. 5 is a right side elevational view thereof;

FIG. 6 is a rear elevational view thereof;

FIG. 7 is a left side elevational view thereof;

FIG. 8 is a bottom plan view thereof;

FIG. 9 is a perspective view of one of the arms of the transport gripper;

FIG. 10 is another perspective view thereof;

FIG. 11 is a front elevational view thereof;

FIG. 12 is a top plan view thereof;

FIG. 13 is a right side elevational view thereof;

FIG. 14 is a rear elevational view thereof;

FIG. 15 is a left side elevational view thereof;

FIG. 16 is a bottom plan view thereof;

FIG. 17 is a perspective view of the head of the arm of the transport gripper;

FIG. 18 is another perspective view thereof;

FIG. 19 is a front elevational view thereof;

FIG. 20 is a top plan view thereof;

FIG. 21 is a right side elevational view thereof;

FIG. 22 is a rear elevational view thereof;

FIG. 23 is a left side elevational view thereof;

FIG. 24 is a bottom plan view thereof;

FIG. 25 is a perspective view of the other arm of the transport gripper;

FIG. 26 is another perspective view thereof;

FIG. 27 is a front elevational view thereof;

FIG. 28 is a top plan view thereof;

FIG. 29 is a right side elevational view thereof;

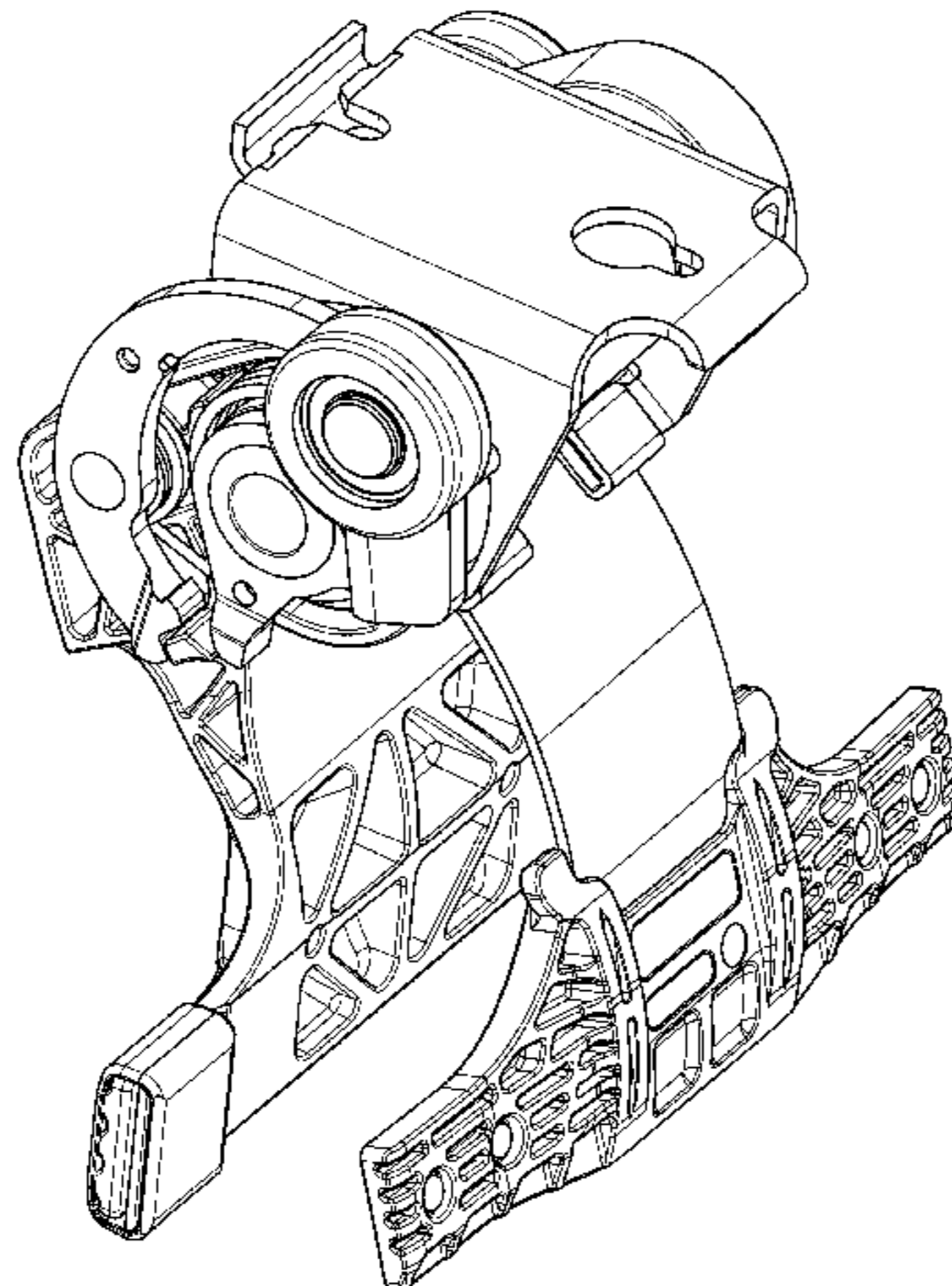
FIG. 30 is a rear elevational view thereof;

FIG. 31 is a left side elevational view thereof; and,

FIG. 32 is a bottom plan view thereof.

The portions of the transport gripper have been shown separately in FIGS. 9 through 32 for convenience of illustration and to allow visible portions of the claimed design to be seen which are otherwise obscured in the figures showing the entire claimed design.

1 Claim, 23 Drawing Sheets



US D586,074 S

Page 2

U.S. PATENT DOCUMENTS

4,299,381	A *	11/1981	Smith	271/96	D373,883	S *	9/1996	Dillard	D34/29
4,570,543	A *	2/1986	Ishikura et al.	104/300	D448,908	S *	10/2001	Kangas et al.	D34/35
D301,179	S *	5/1989	Miller	D34/29	D459,047	S *	6/2002	Tanaka	D34/28
5,125,637	A *	6/1992	Glaser	271/11	6,616,137	B2 *	9/2003	Kaya et al.	271/101
D367,143	S *	2/1996	Sauber	D34/29	7,252,209	B2 *	8/2007	Julius	221/33

* cited by examiner

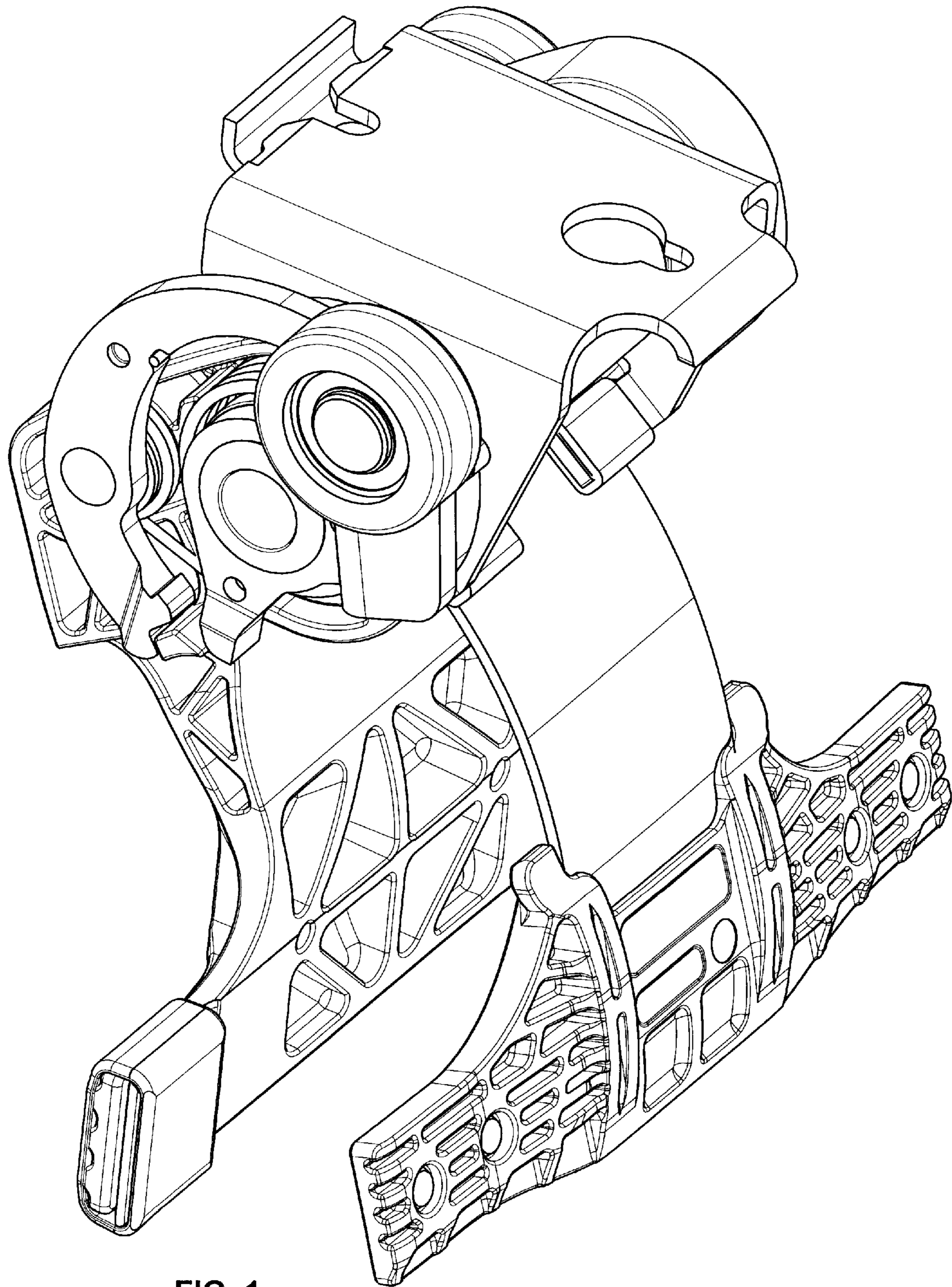


FIG. 1

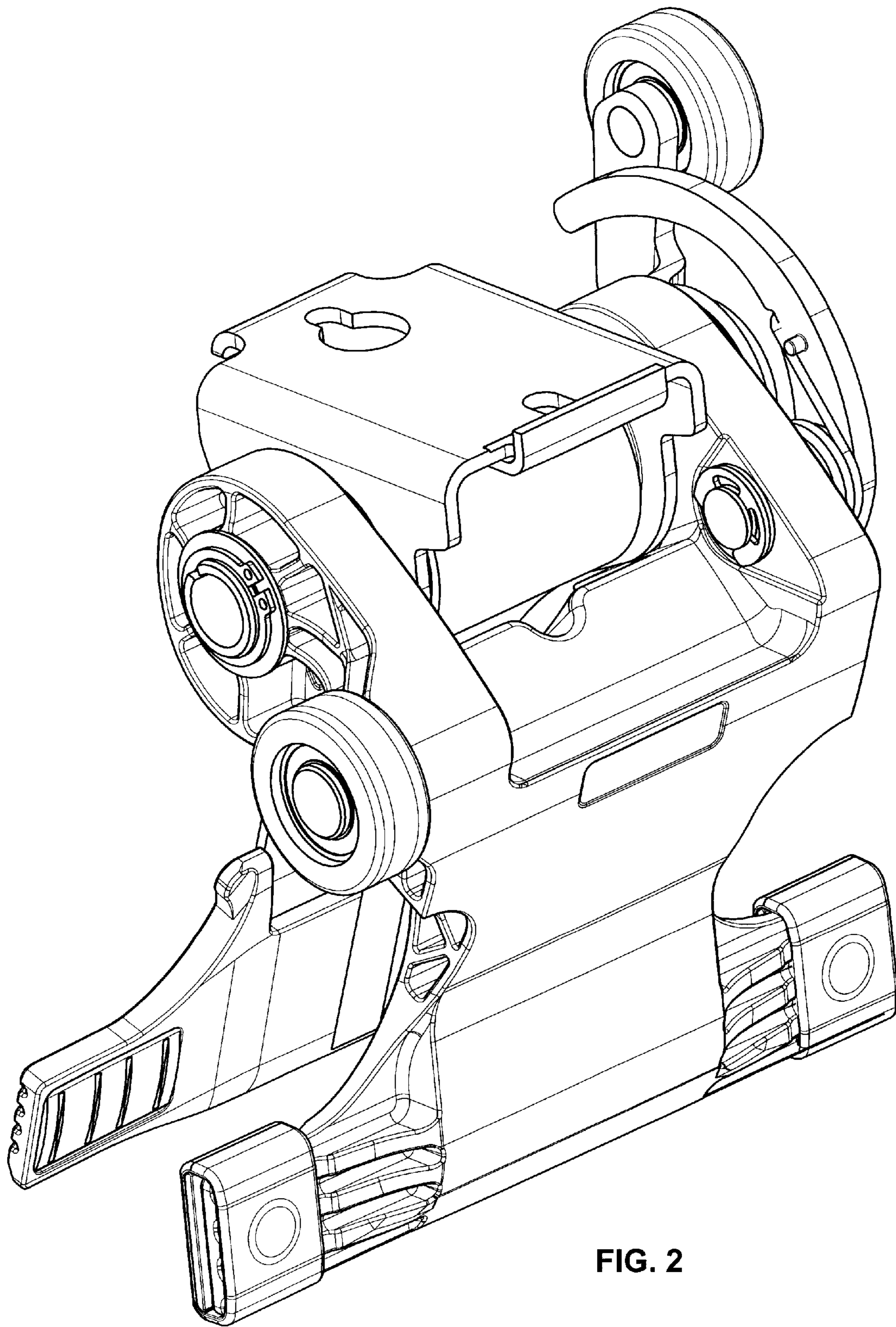


FIG. 2

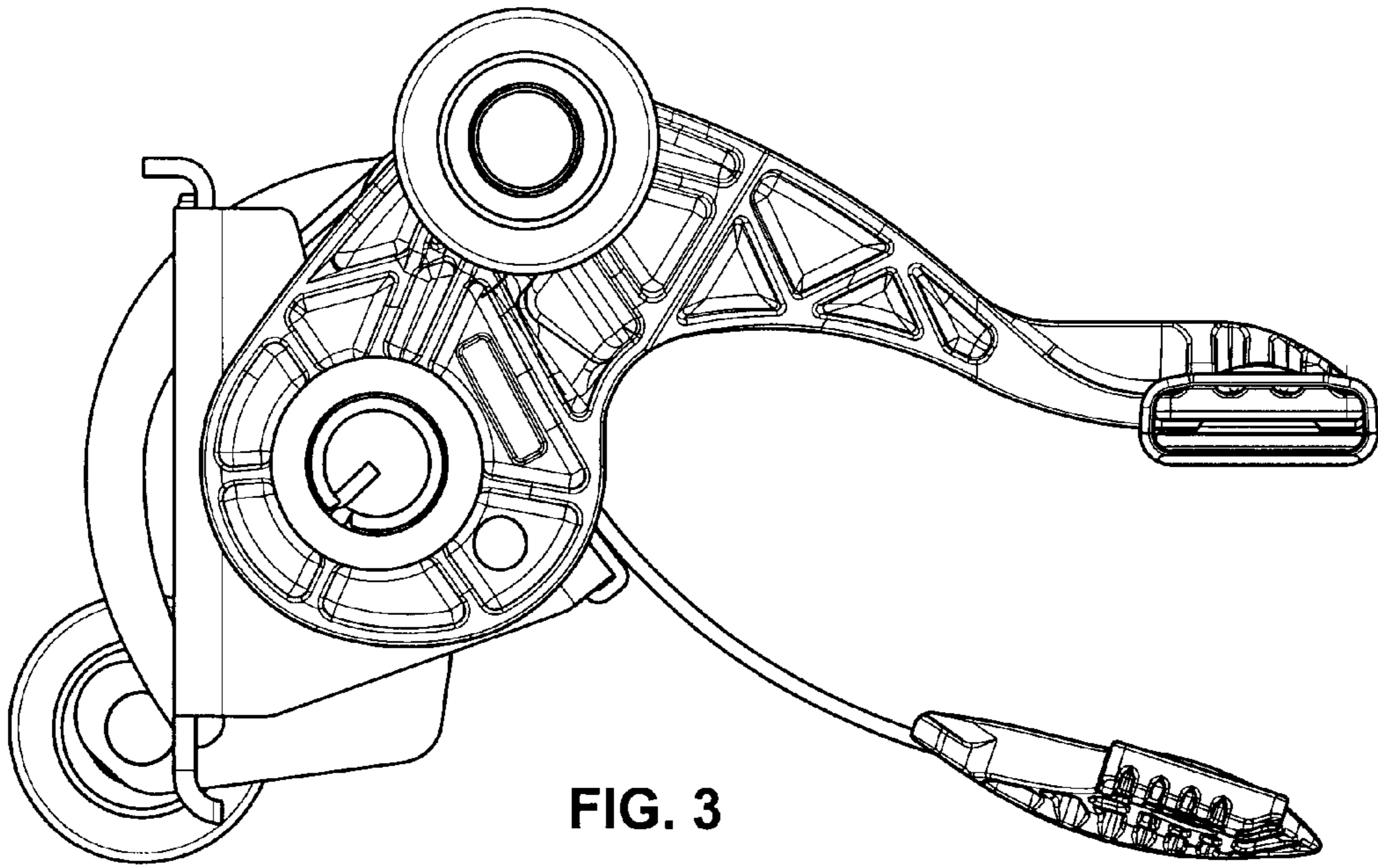


FIG. 3

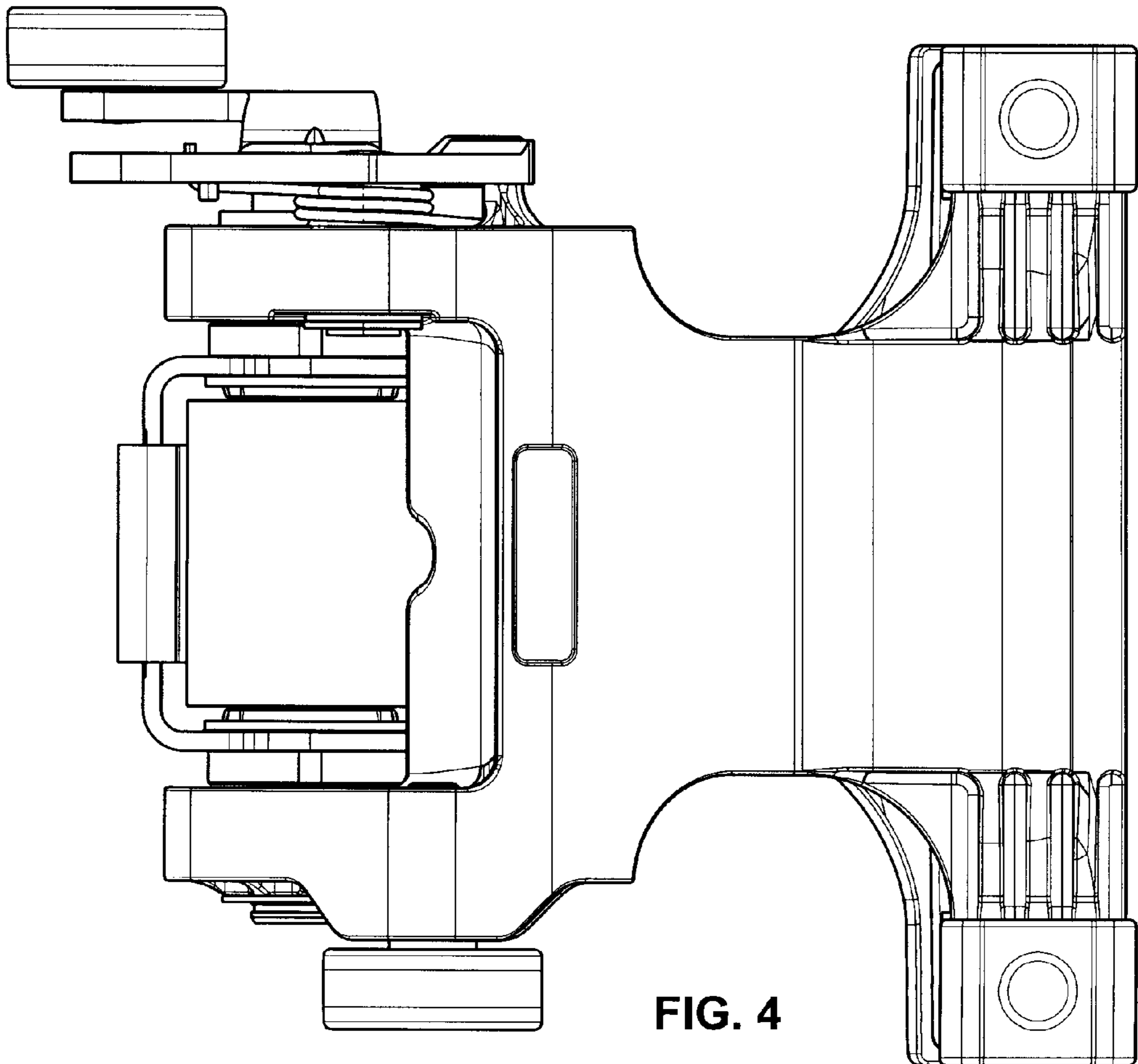


FIG. 4

FIG. 5

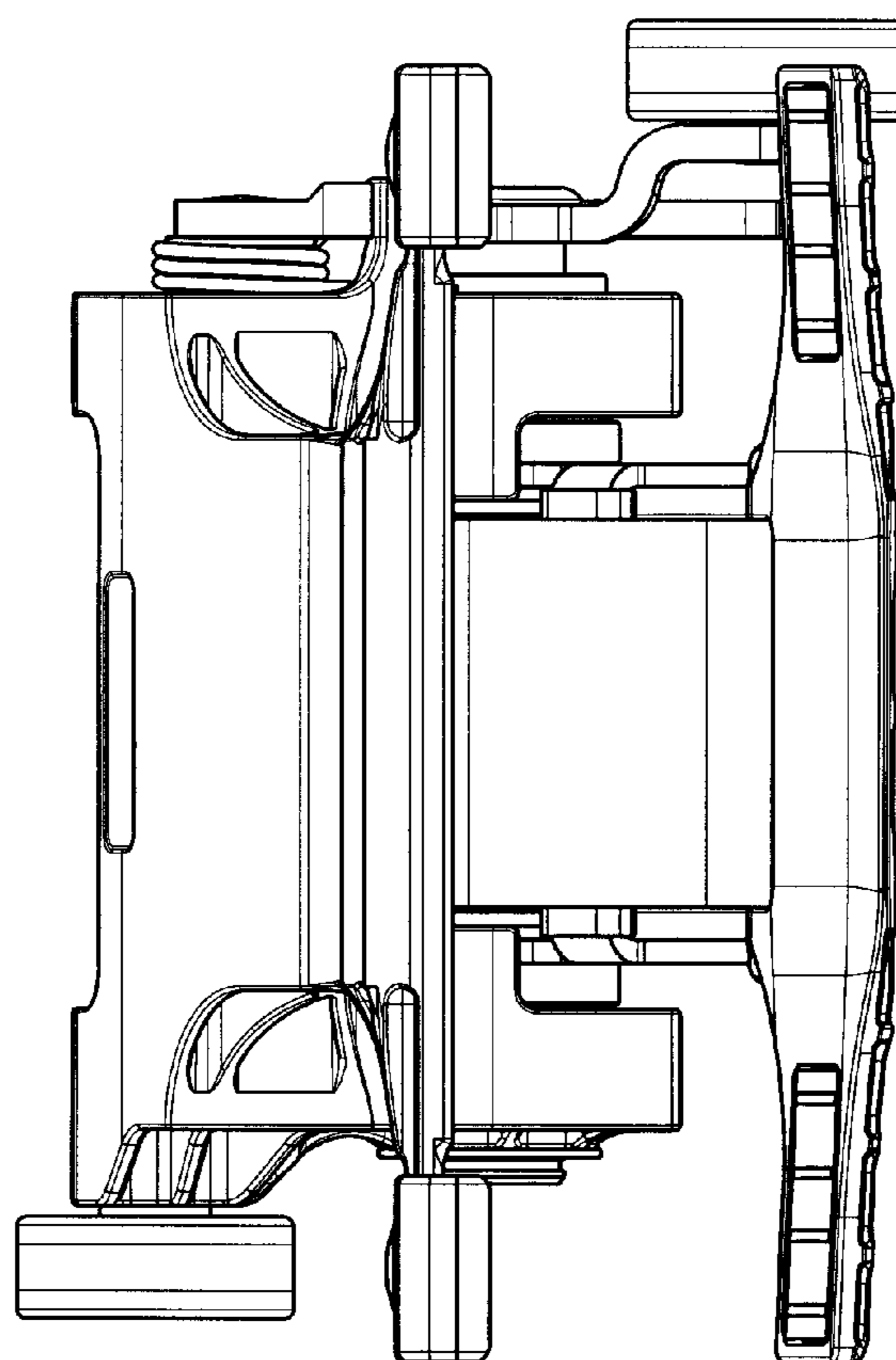
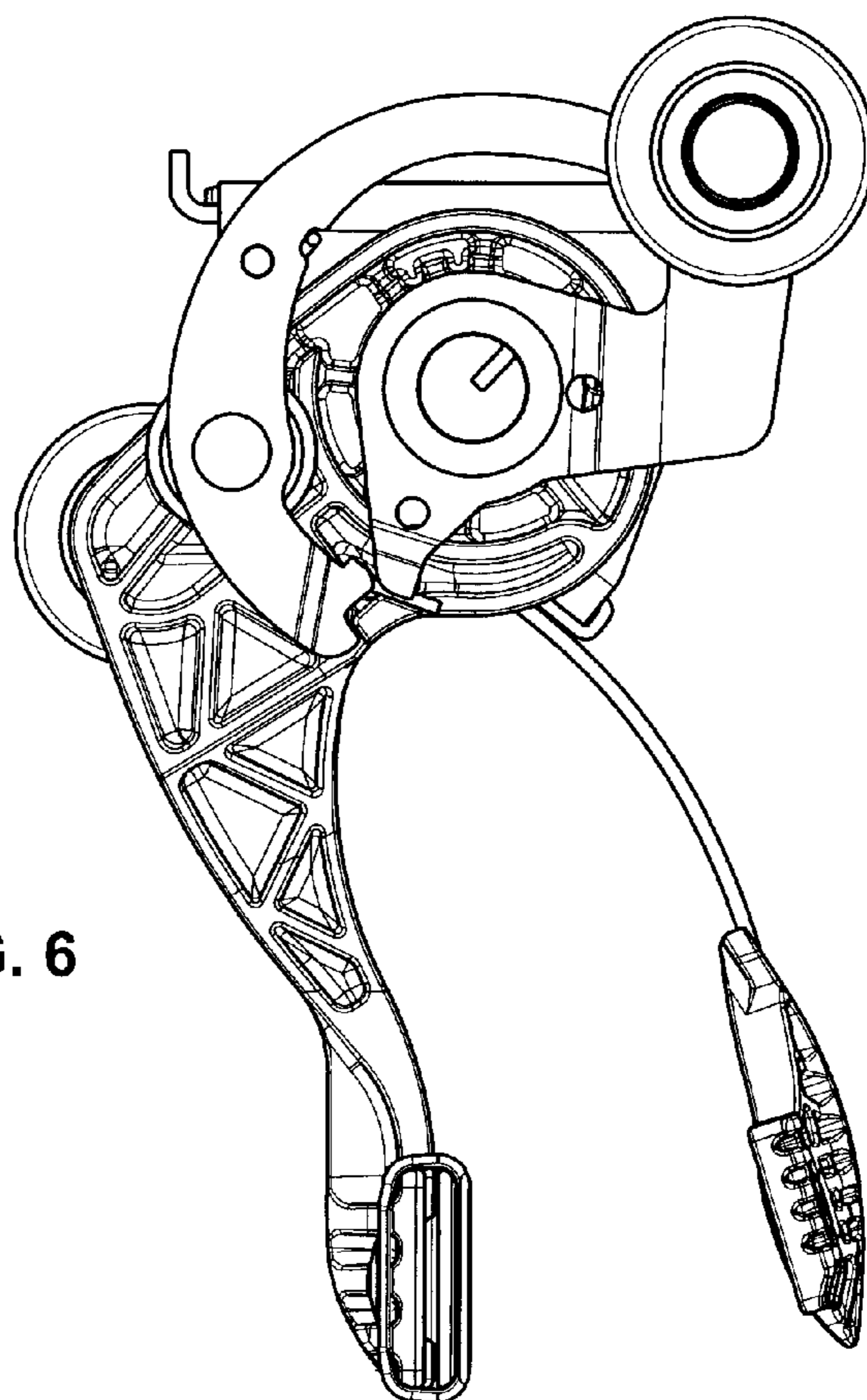


FIG. 6



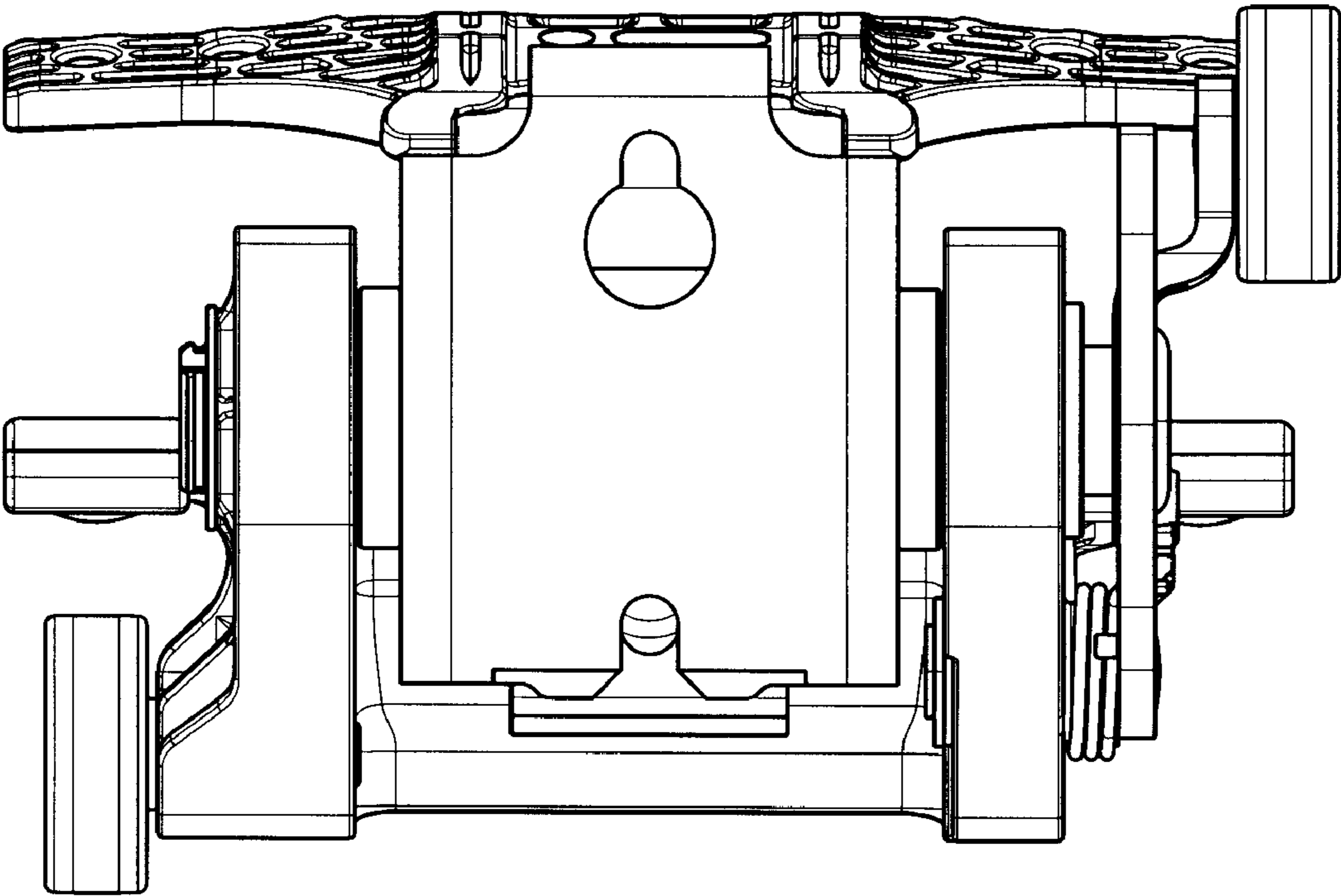


FIG. 7

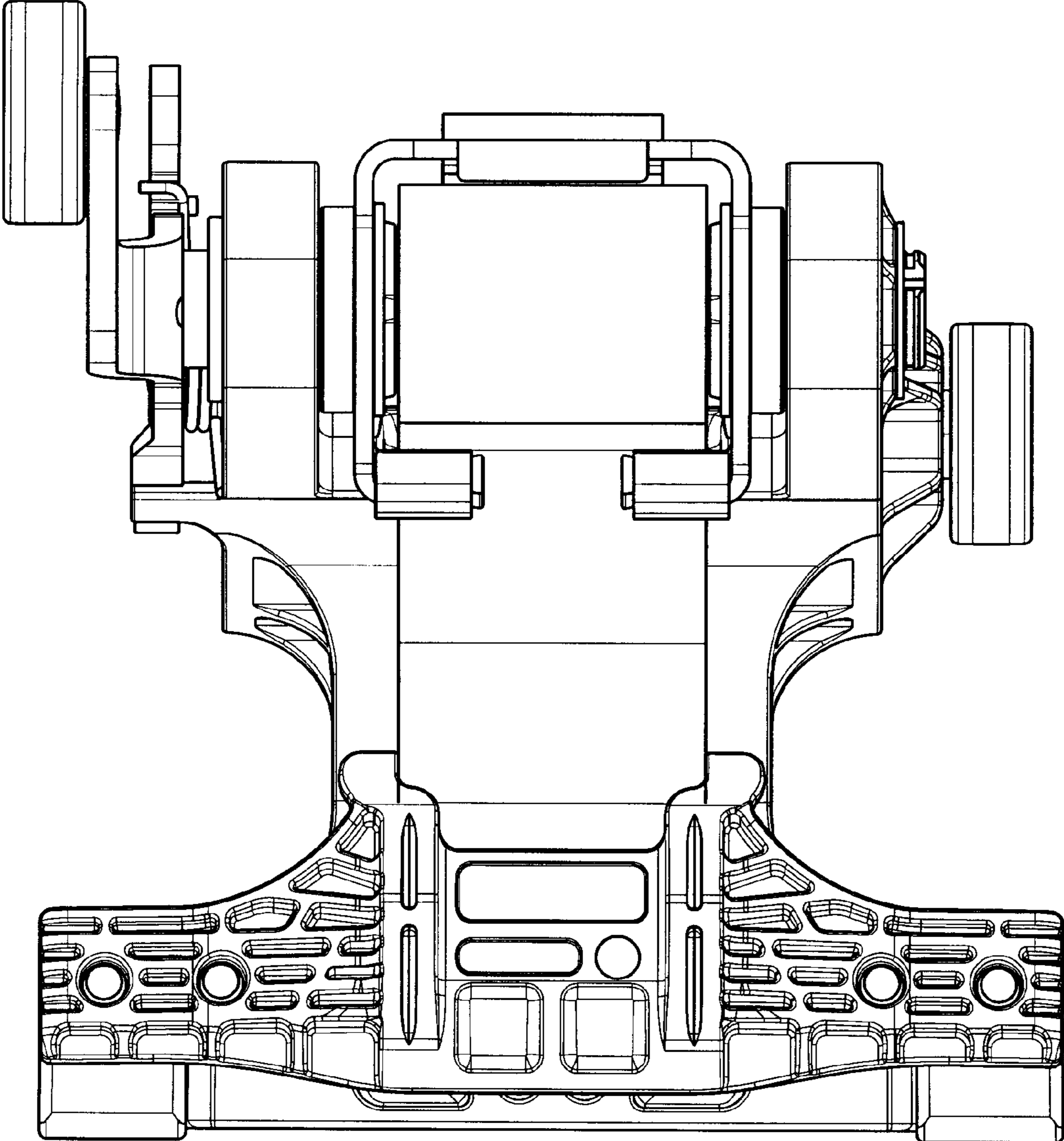


FIG. 8

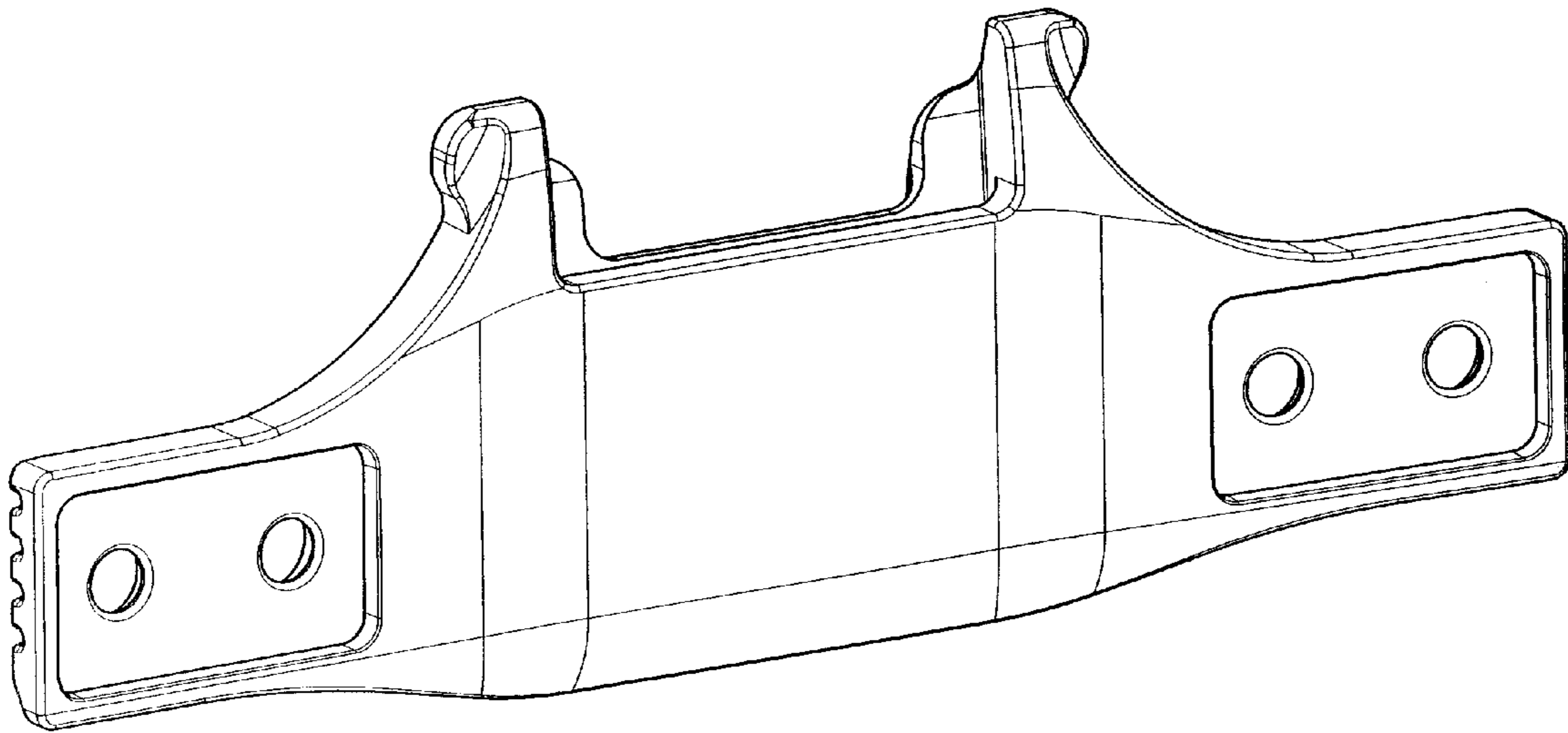


FIG. 9

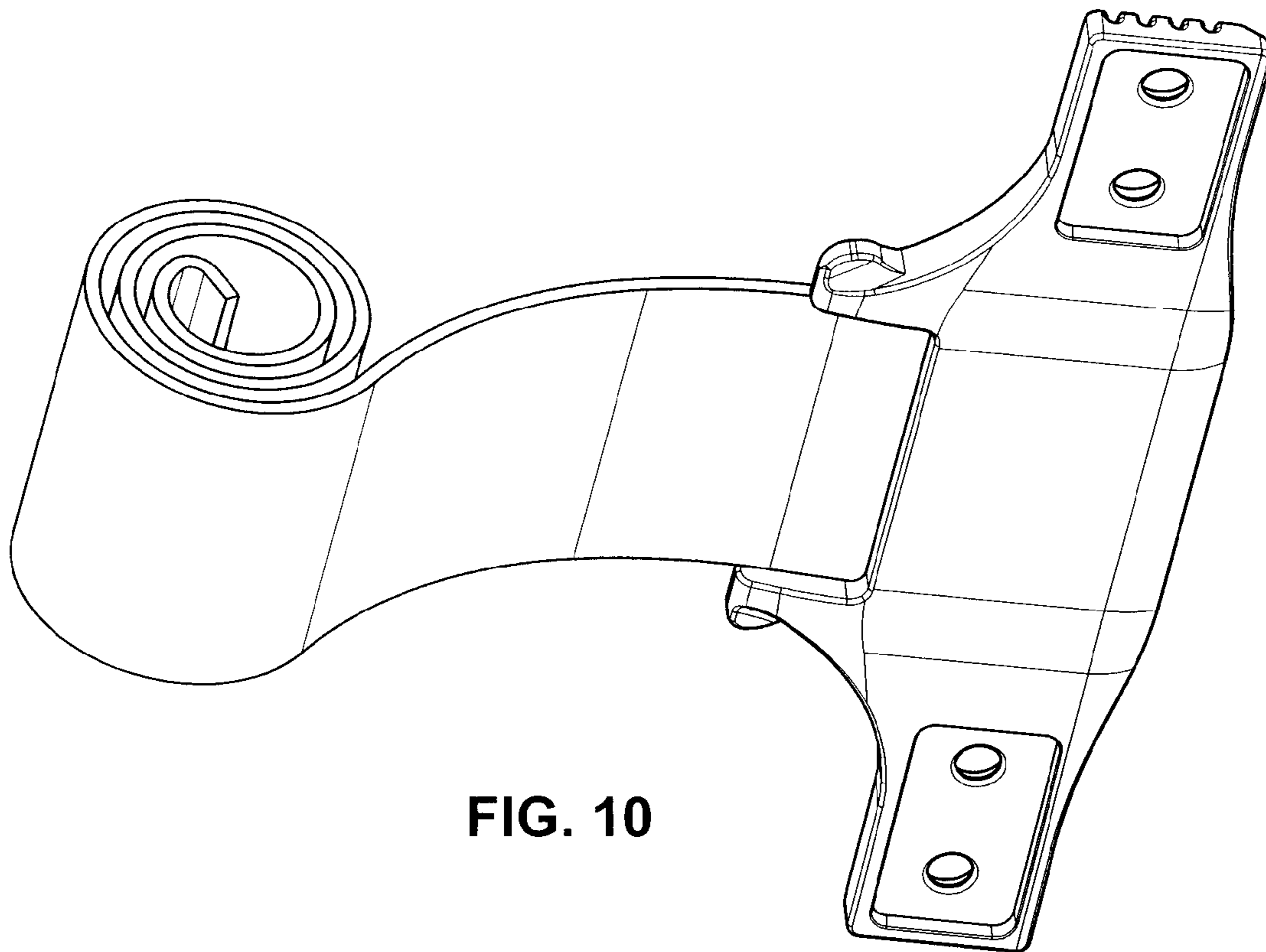


FIG. 10

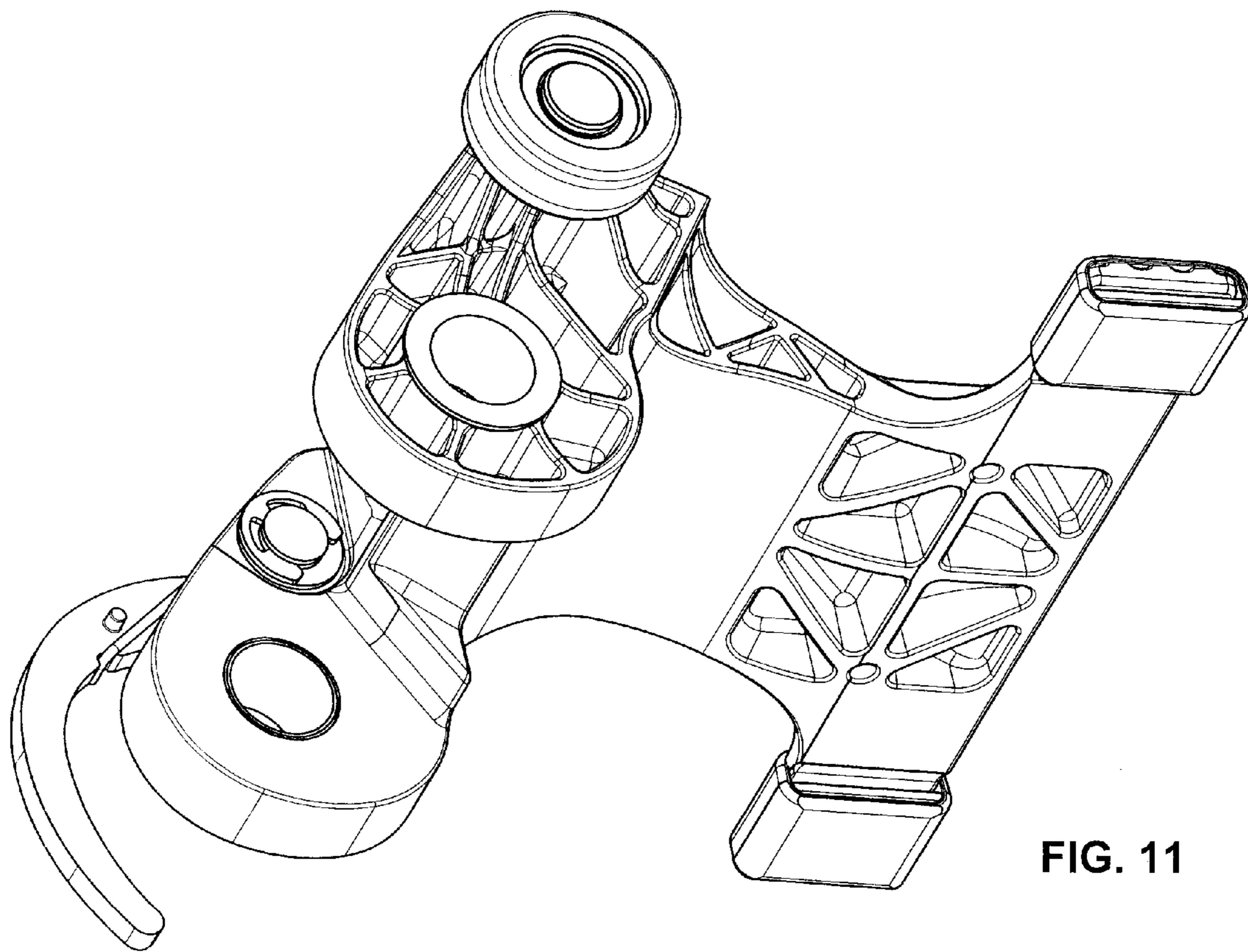


FIG. 11

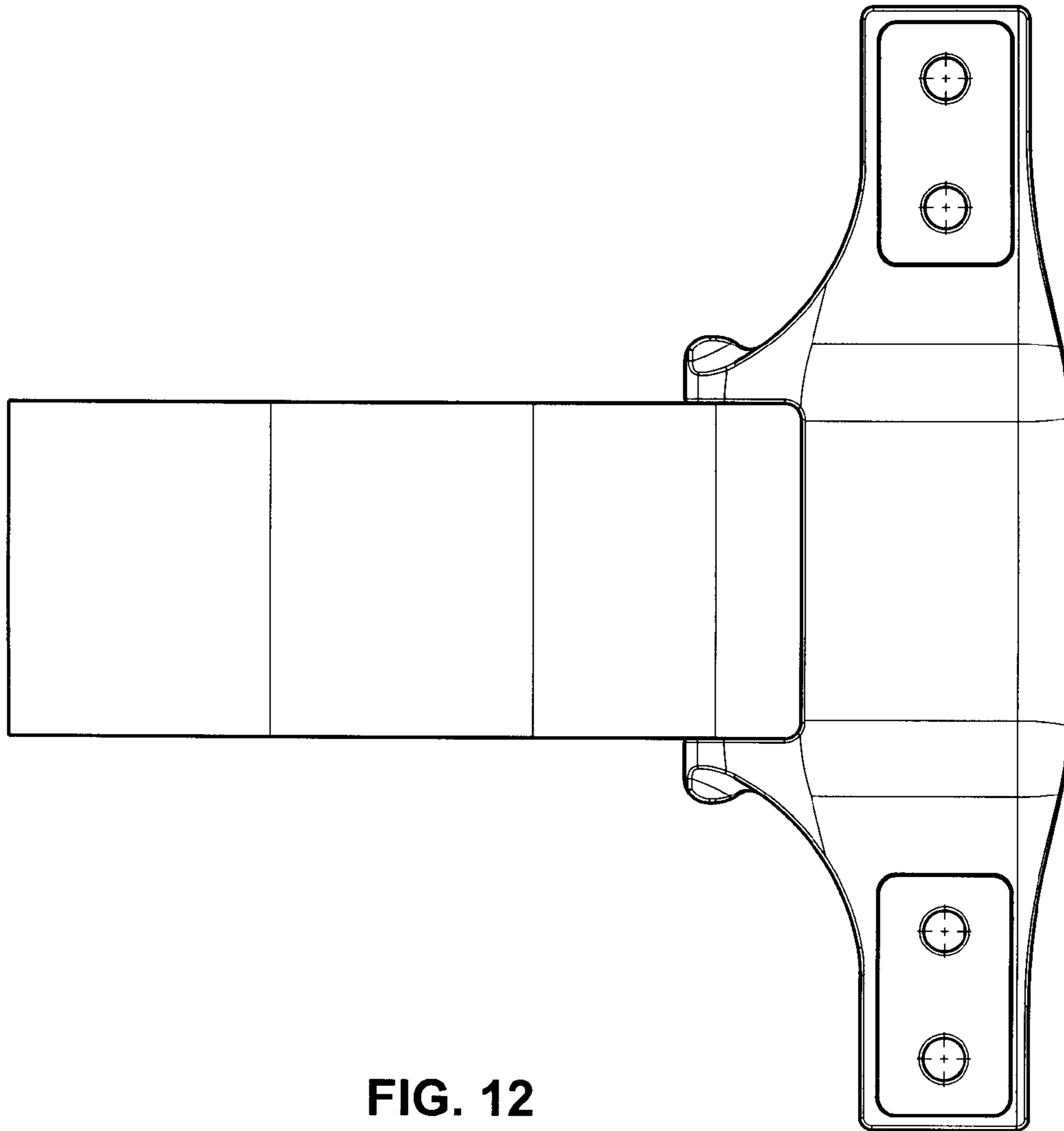


FIG. 12

FIG. 14

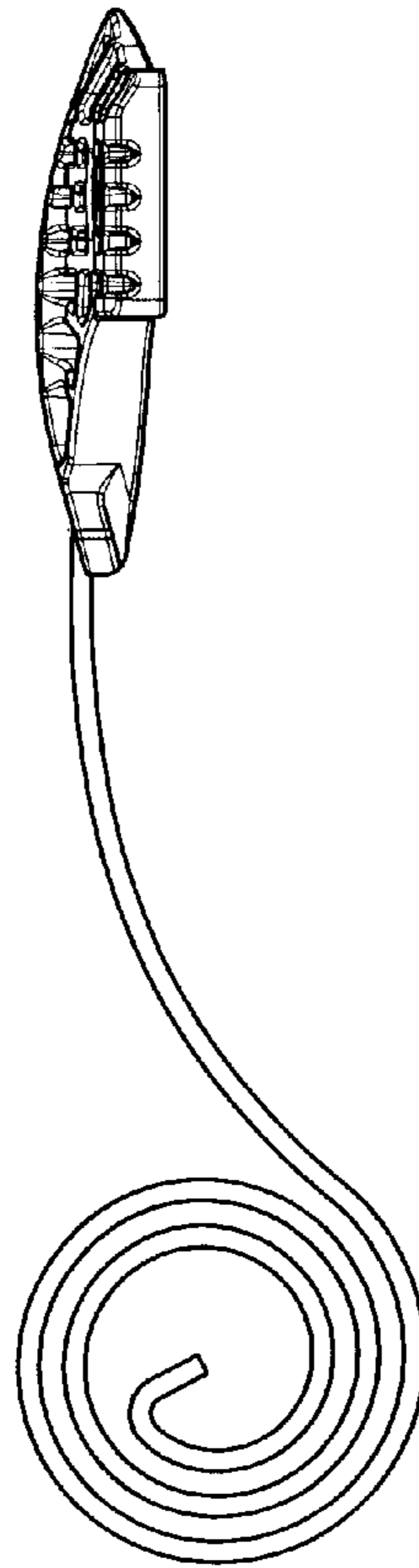
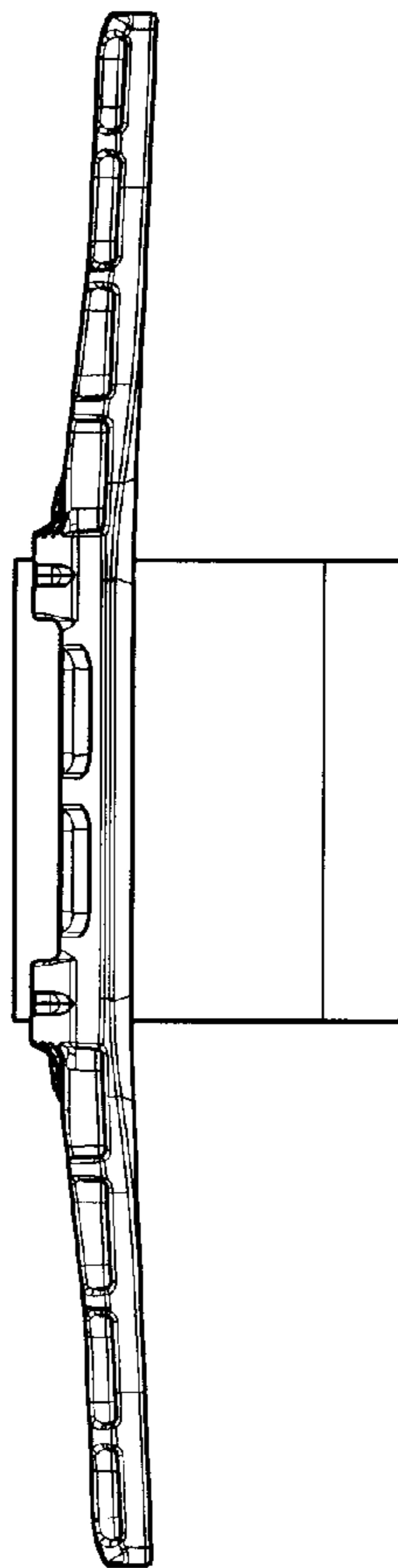


FIG. 13



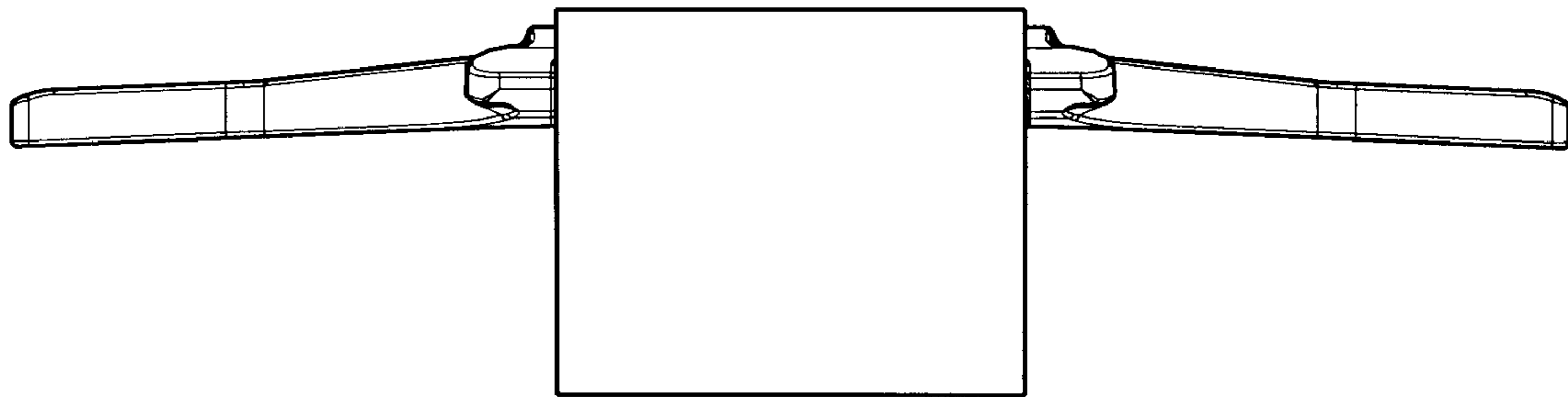


FIG. 15

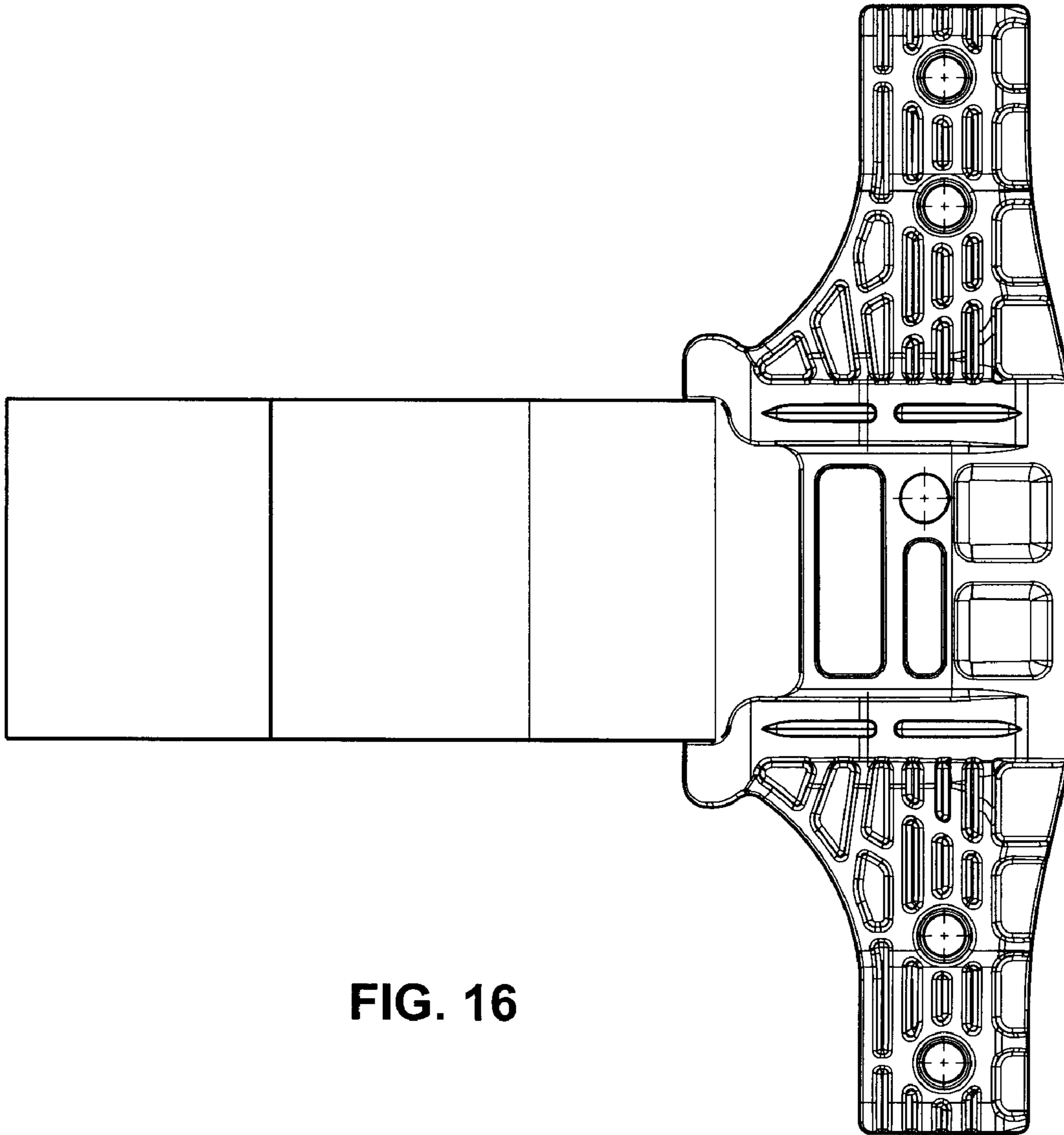


FIG. 16

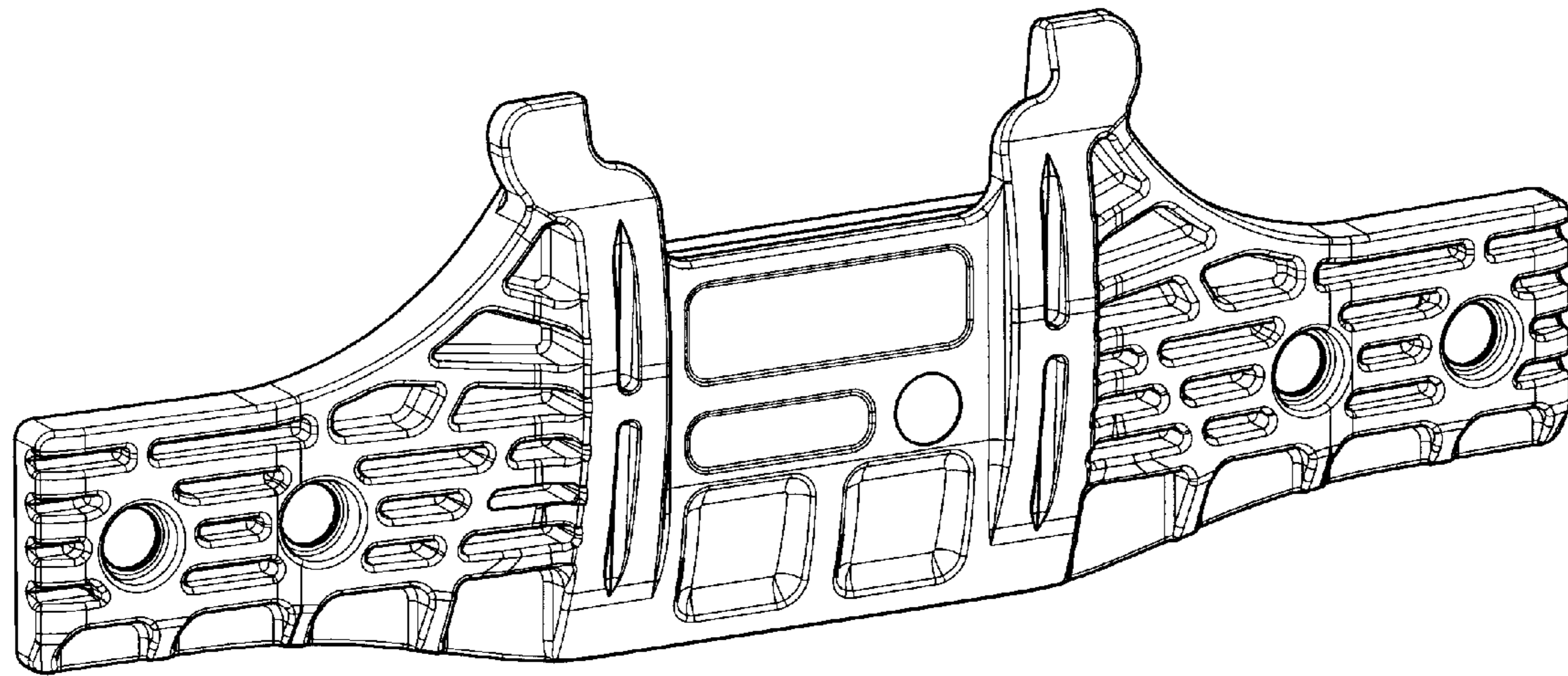


FIG. 17

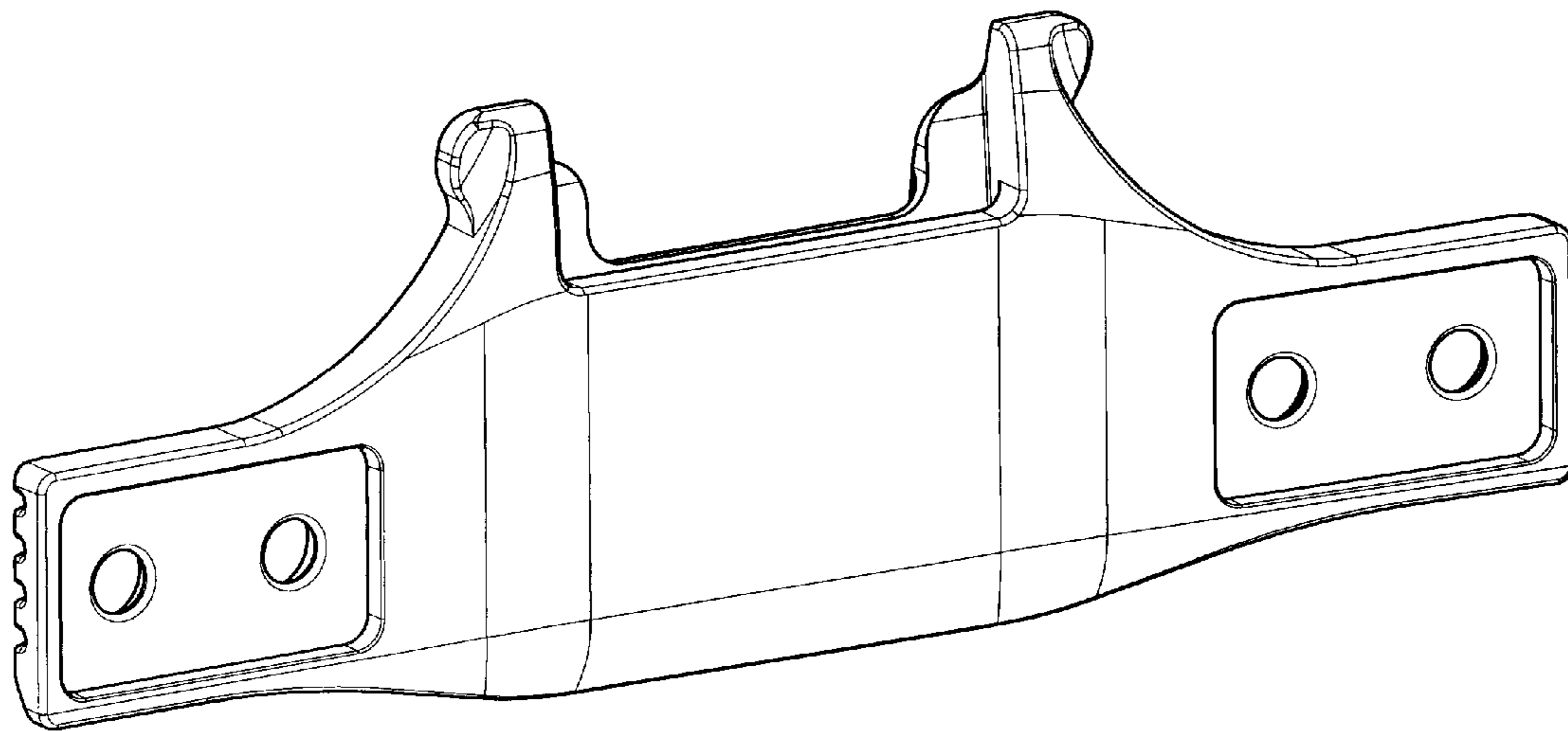


FIG. 18

FIG. 19

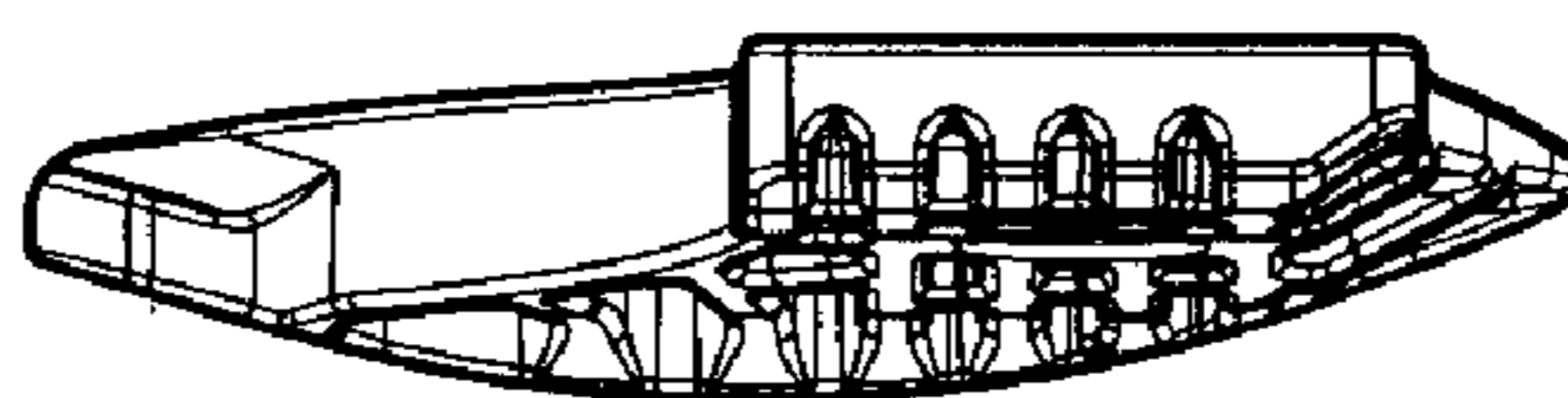
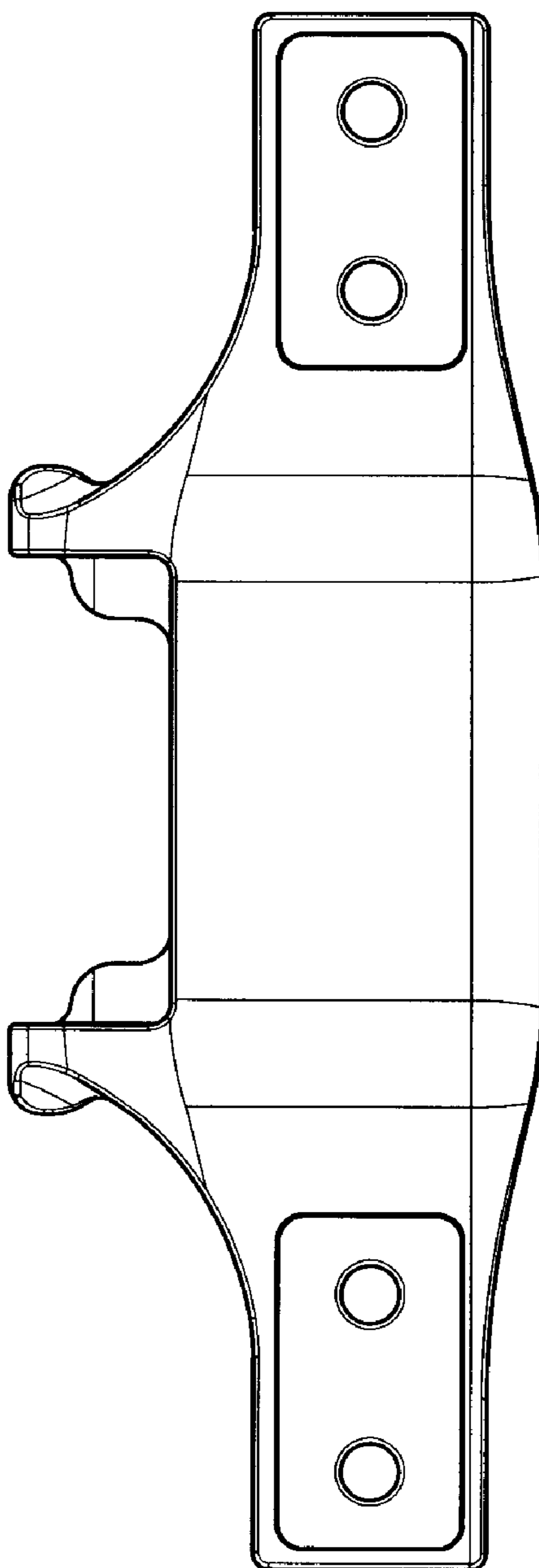


FIG. 20



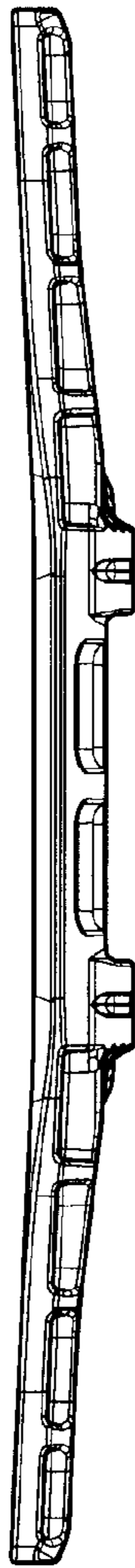


FIG. 21

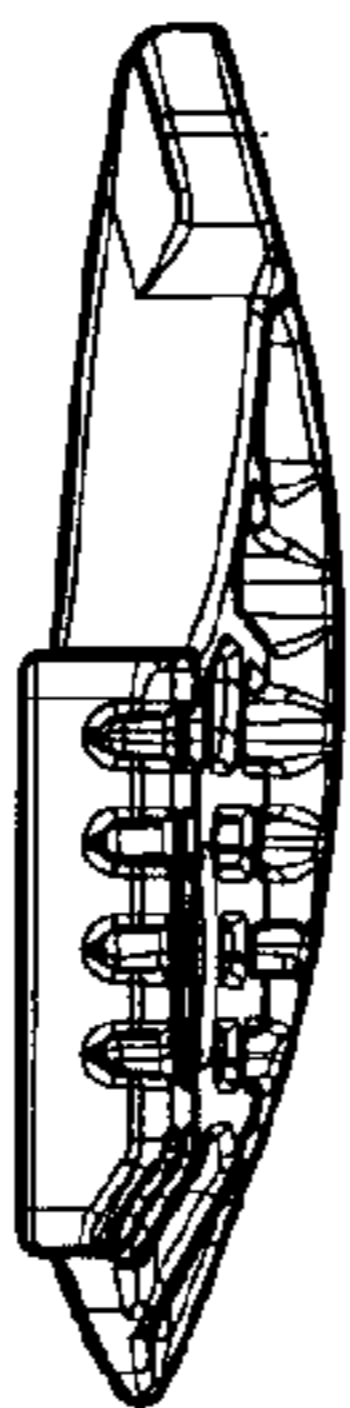


FIG. 22

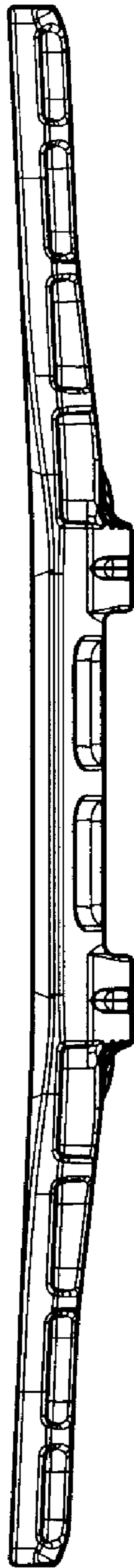


FIG. 23

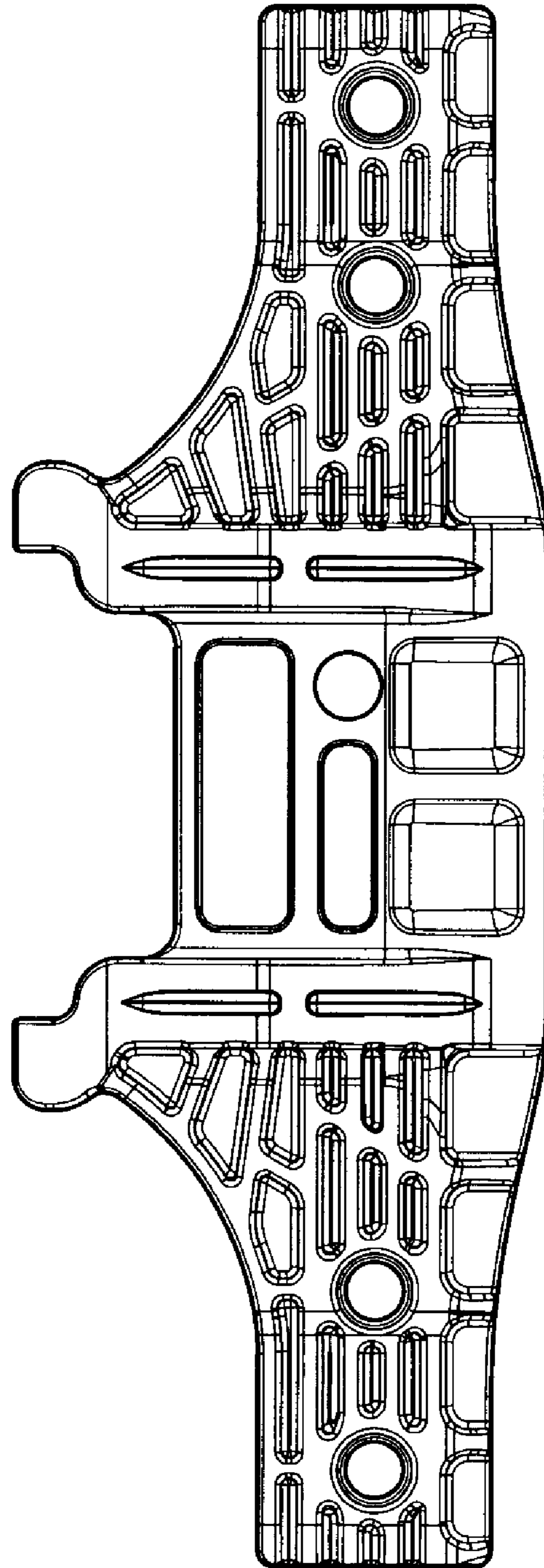


FIG. 24

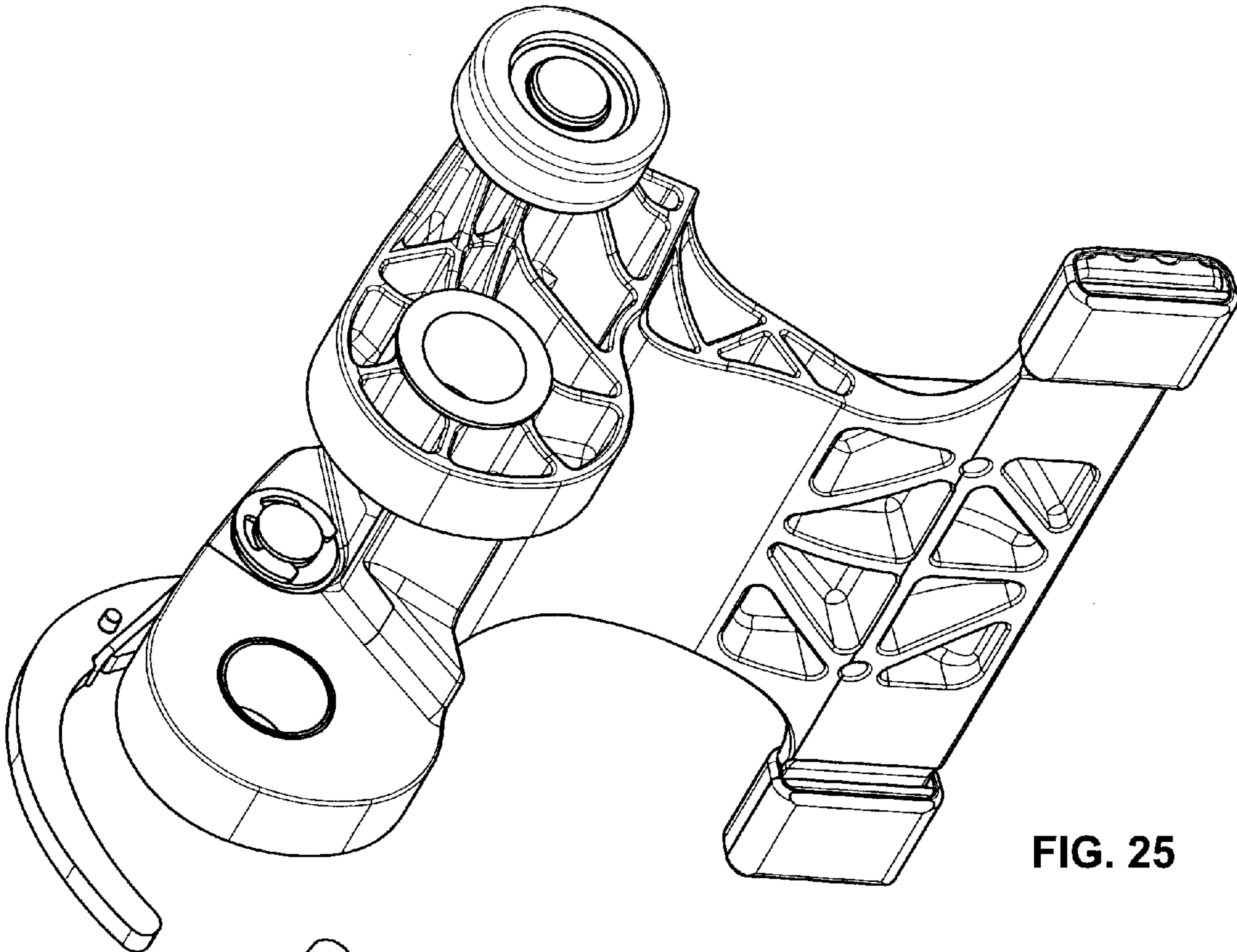


FIG. 25

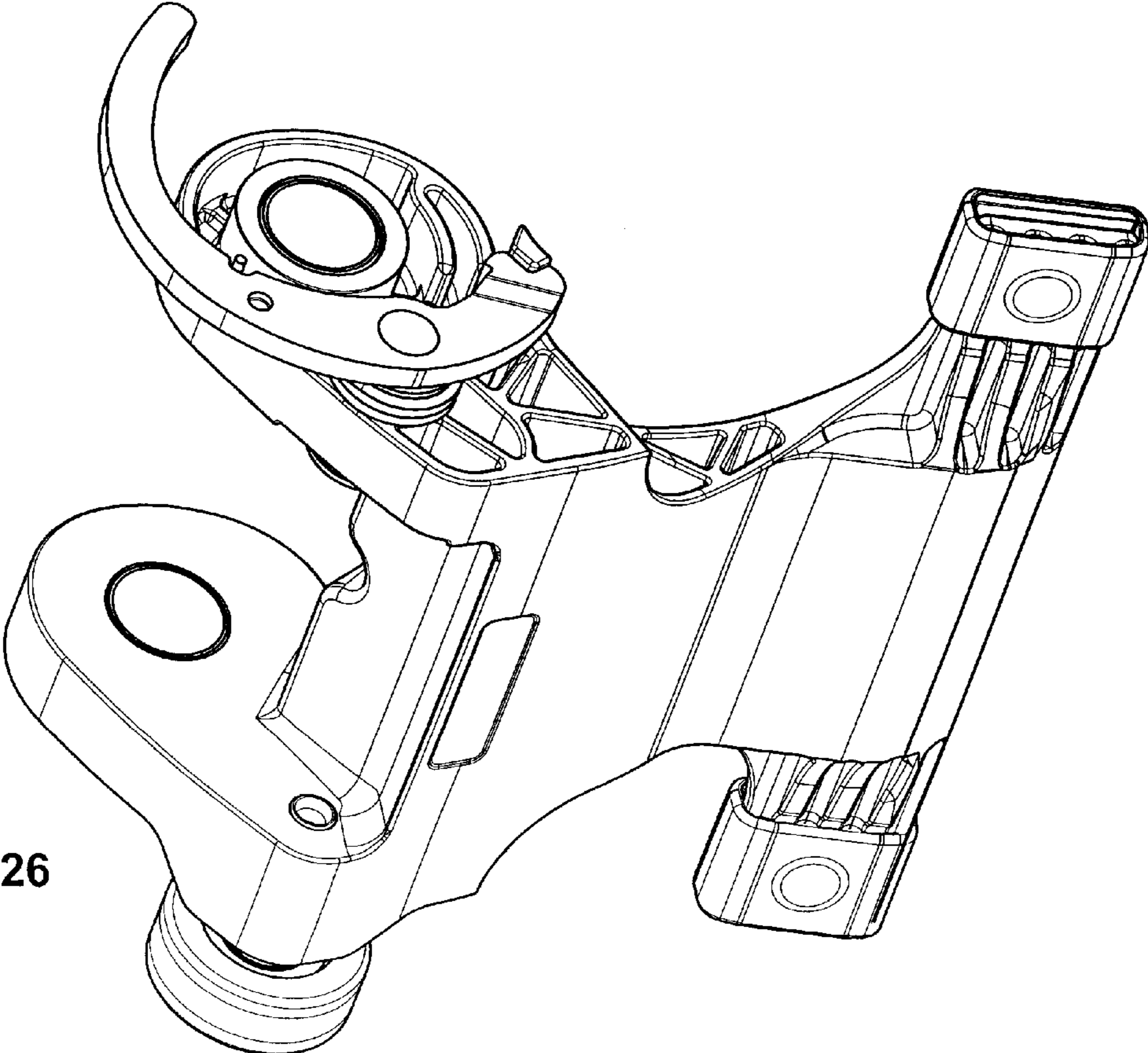


FIG. 26

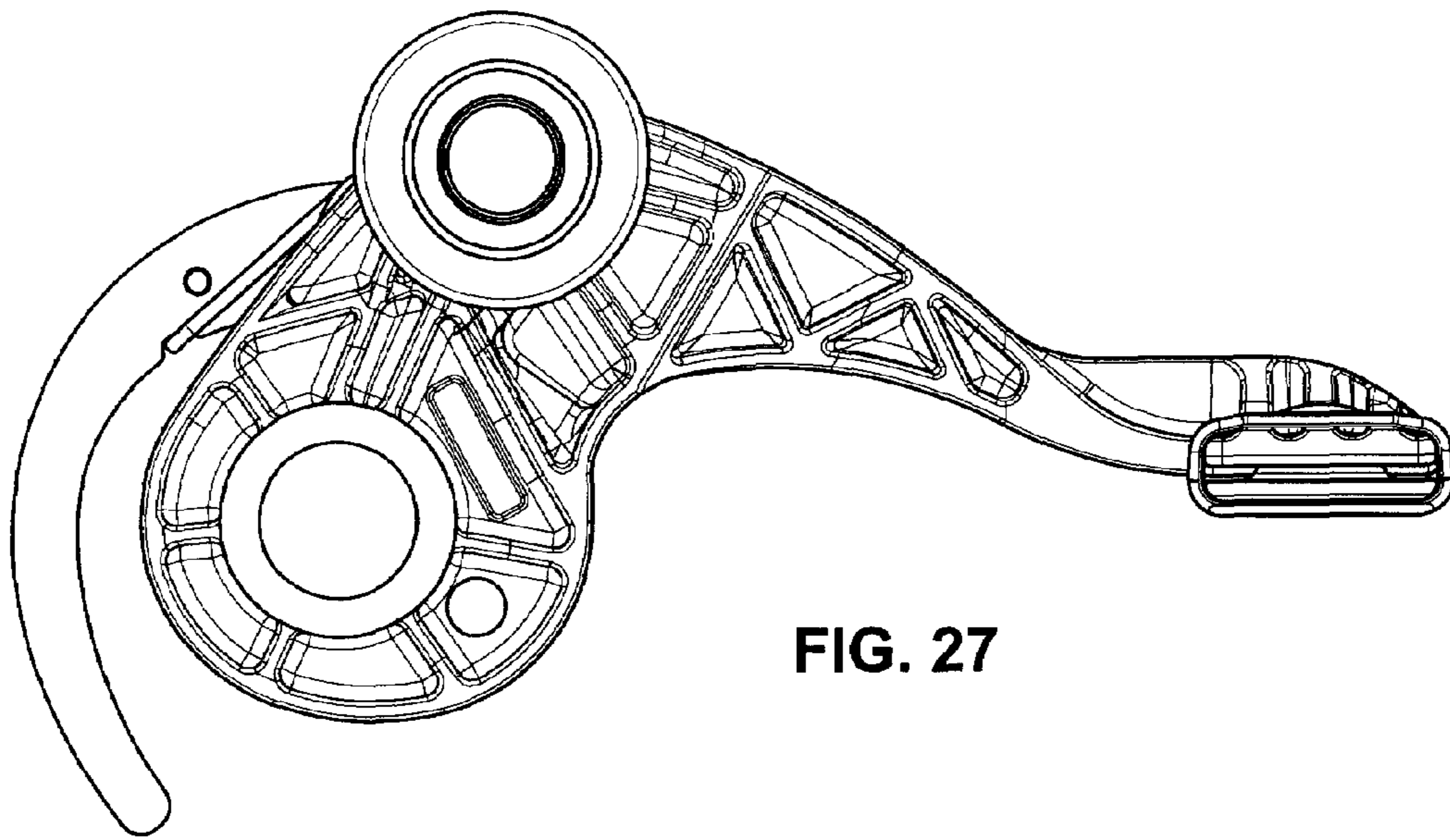


FIG. 27

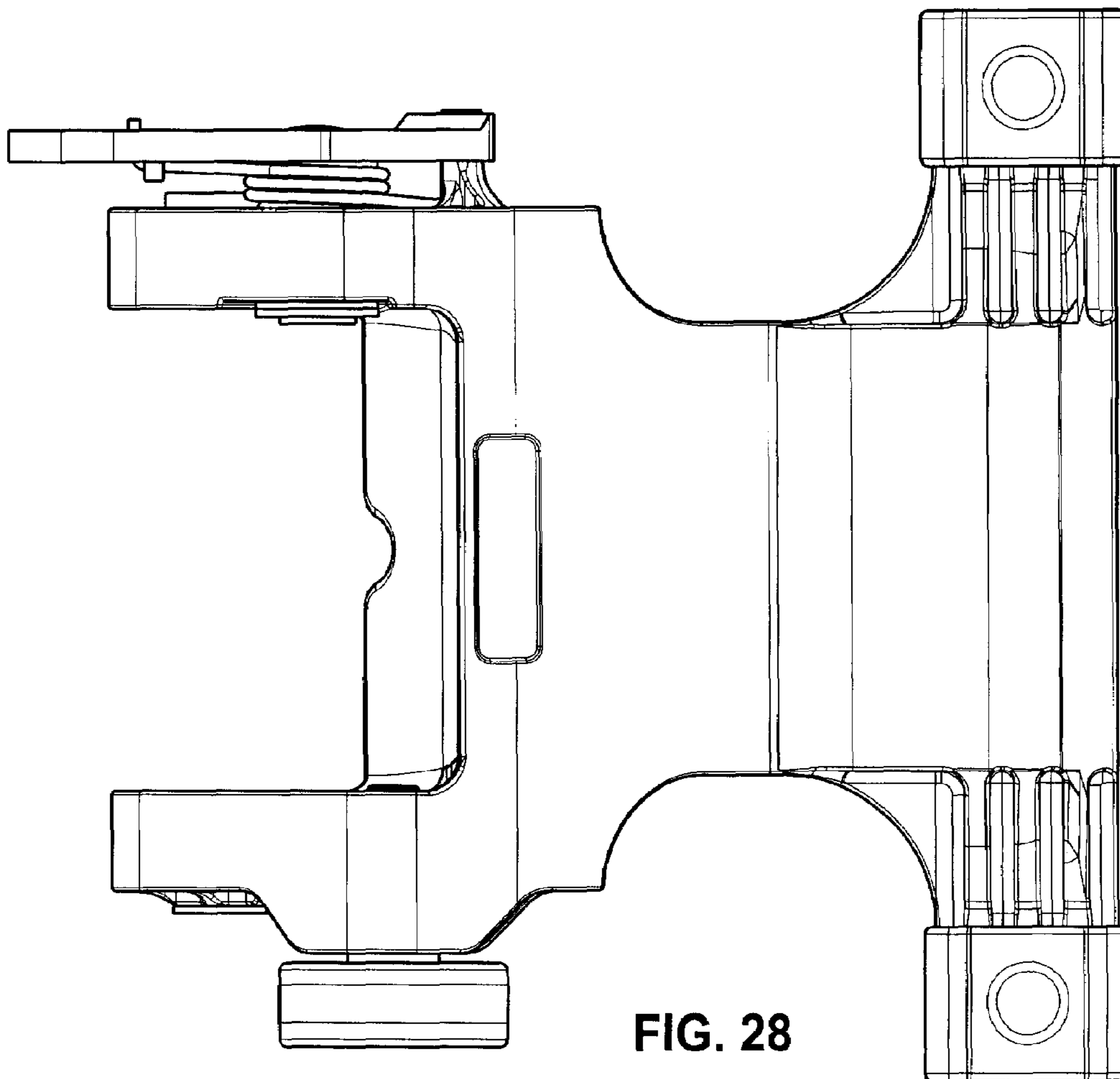


FIG. 28

FIG. 29

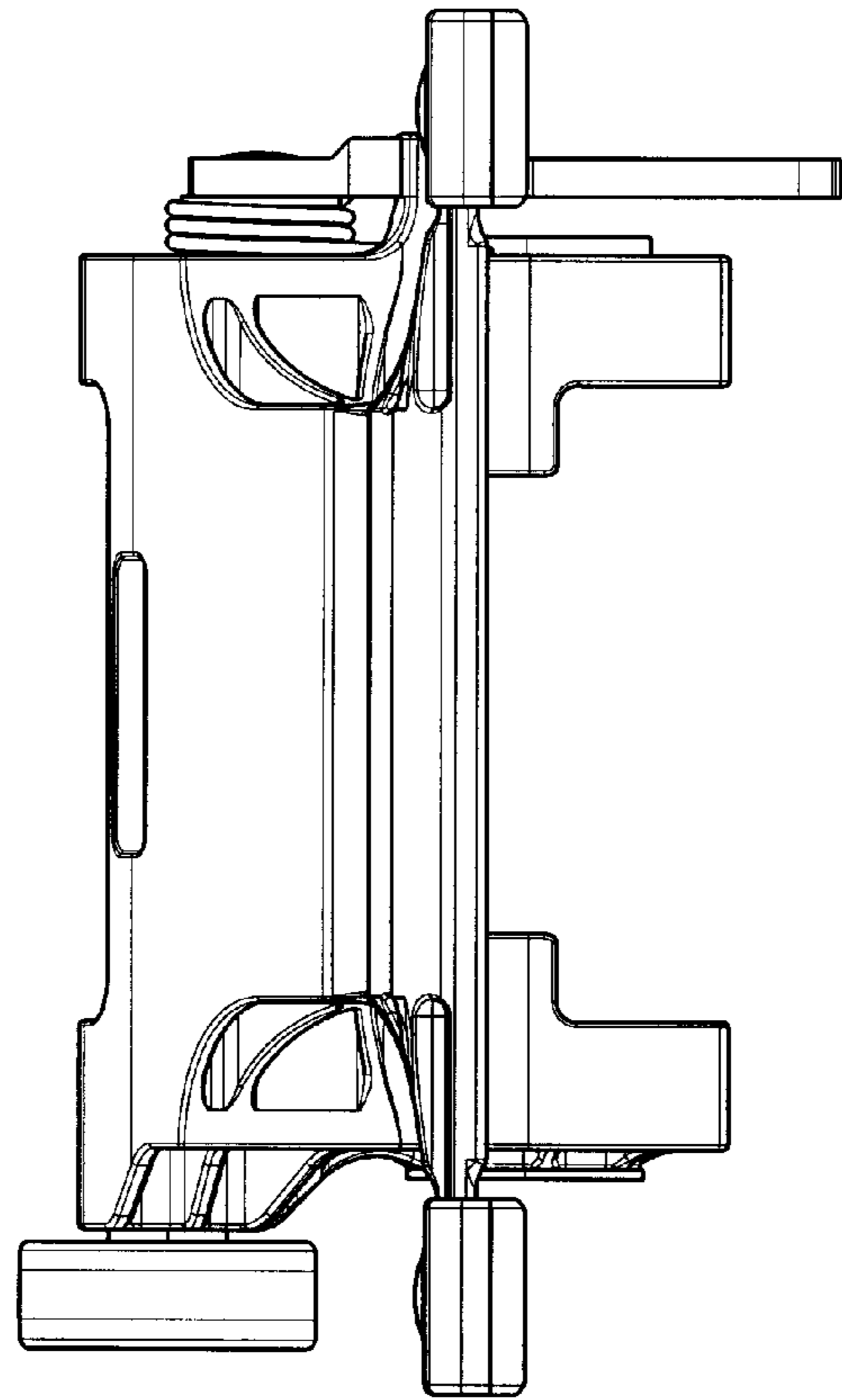
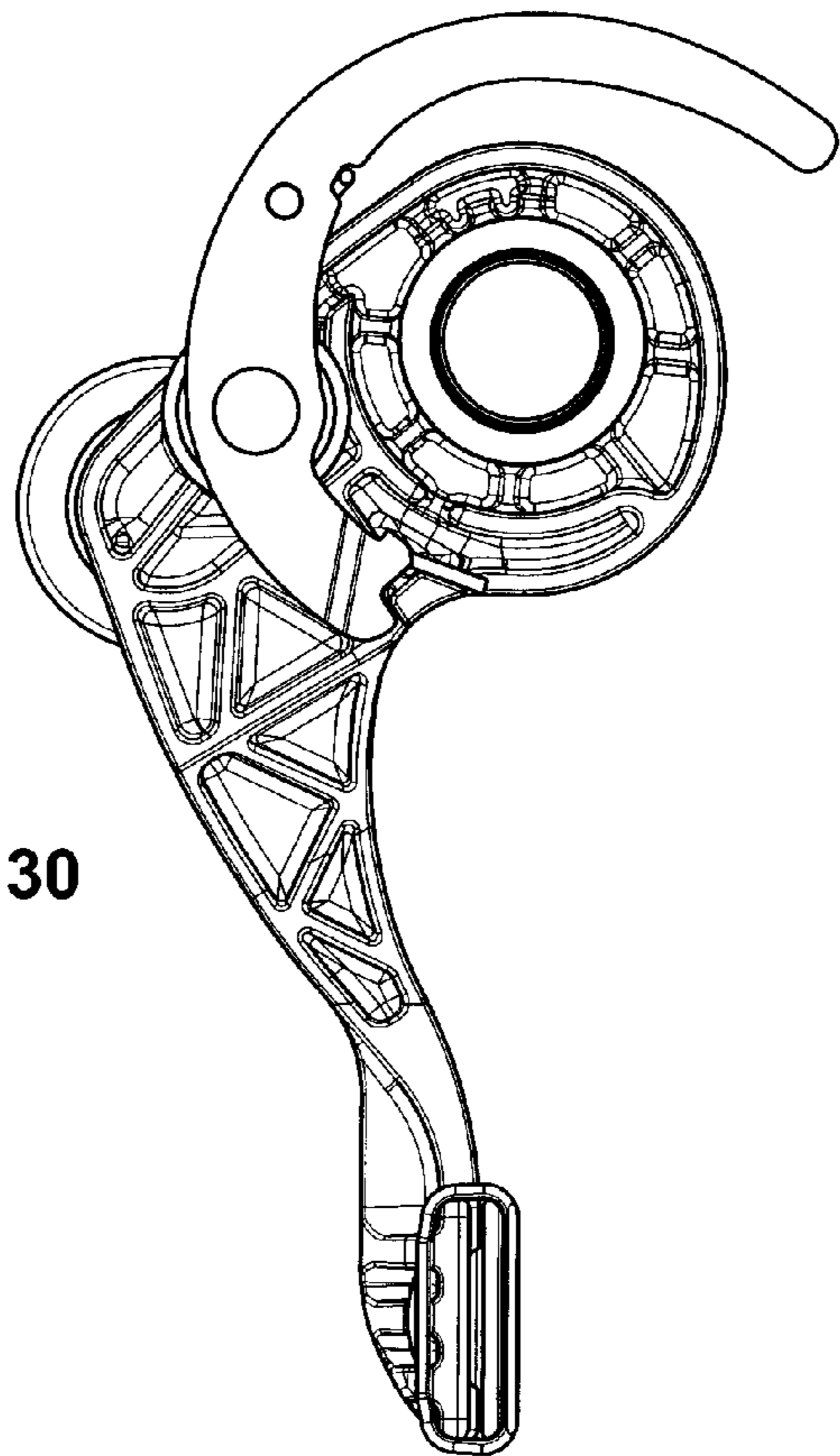


FIG. 30



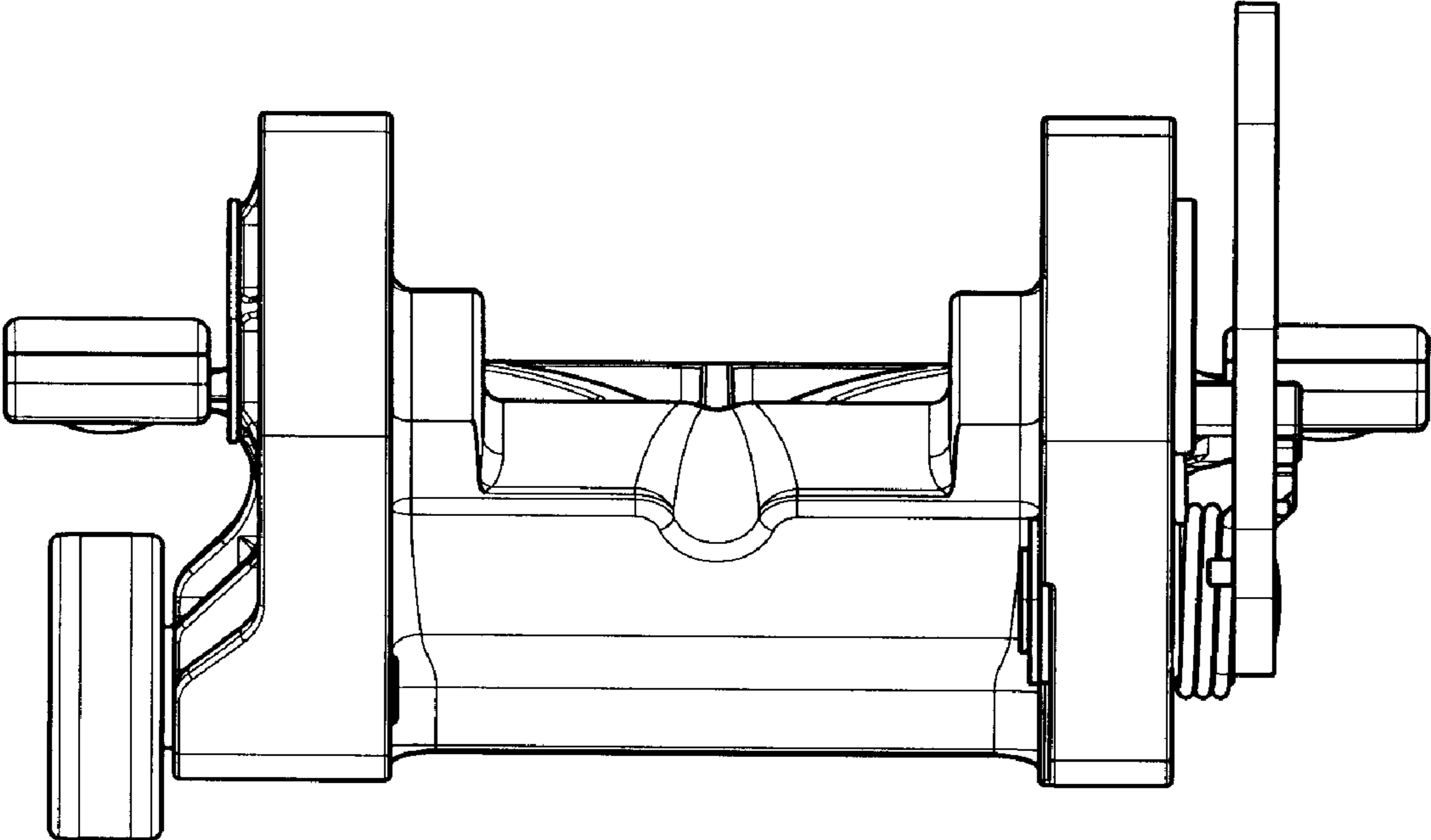


FIG. 31

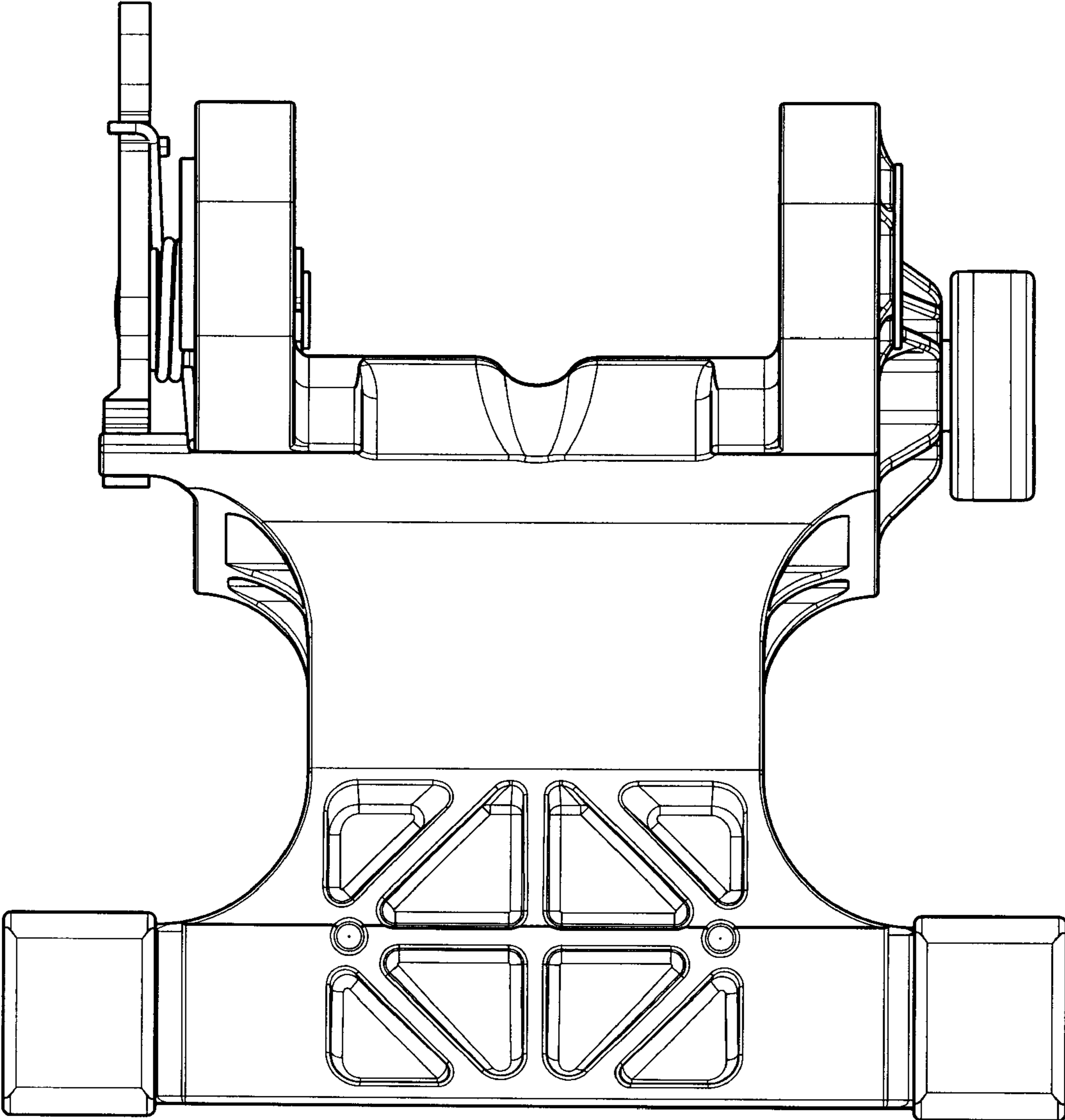


FIG. 32