



US00D586073S

(12) **United States Design Patent**
Tsao

(10) **Patent No.:** **US D586,073 S**

(45) **Date of Patent:** **** Feb. 3, 2009**

(54) **WINCH**

(76) **Inventor:** **Cheony Sun Tsao**, 4F, 20 Yunong Road,
Shih-Lin, Taipei (TW)

(**) **Term:** **14 Years**

(21) **Appl. No.:** **29/290,744**

(22) **Filed:** **Jan. 9, 2008**

(51) **LOC (9) Cl.** **12-05**

(52) **U.S. Cl.** **D34/33**

(58) **Field of Classification Search** D34/28,
D34/33; 254/382, 374, 316, 333, 356, 362;
294/82.11

See application file for complete search history.

(56) **References Cited**

U.S. PATENT DOCUMENTS

3,370,832	A	*	2/1968	Spyridakis	254/344
D278,754	S	*	5/1985	Andersson et al.	D34/33
D307,965	S	*	5/1990	Eley et al.	D34/33
D348,758	S	*	7/1994	Lichtenvort	D34/33
D411,364	S	*	6/1999	Sasaki et al.	D34/33
D491,333	S	*	6/2004	Blasek	D34/33

D524,508	S	*	7/2006	Lichtenvort	D34/33
D540,003	S	*	4/2007	Hagihara et al.	D34/33
D556,420	S	*	11/2007	Trihey et al.	D34/33

* cited by examiner

Primary Examiner—Cynthia E Ramirez

(74) *Attorney, Agent, or Firm*—Birch, Stewart, Kolasch & Birch, LLP

(57) **CLAIM**

The ornamental design for a winch, as shown and described.

DESCRIPTION

FIG. 1 is a front perspective view of a winch showing my new design;

FIG. 2 is a front view thereof;

FIG. 3 is a back view thereof;

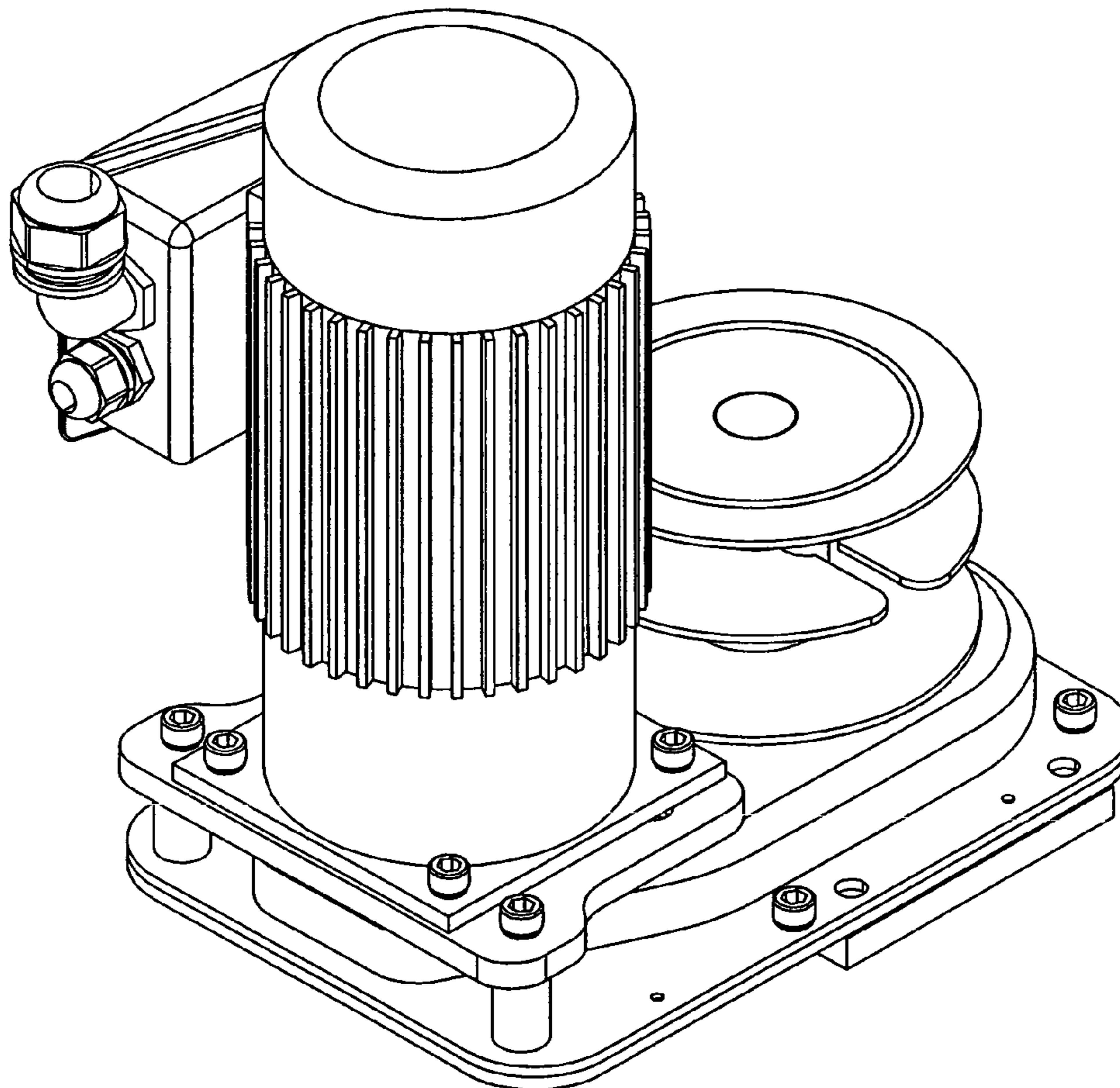
FIG. 4 is a right view thereof;

FIG. 5 is a left side view thereof;

FIG. 6 is a top view thereof; and,

FIG. 7 is a bottom thereof.

1 Claim, 4 Drawing Sheets



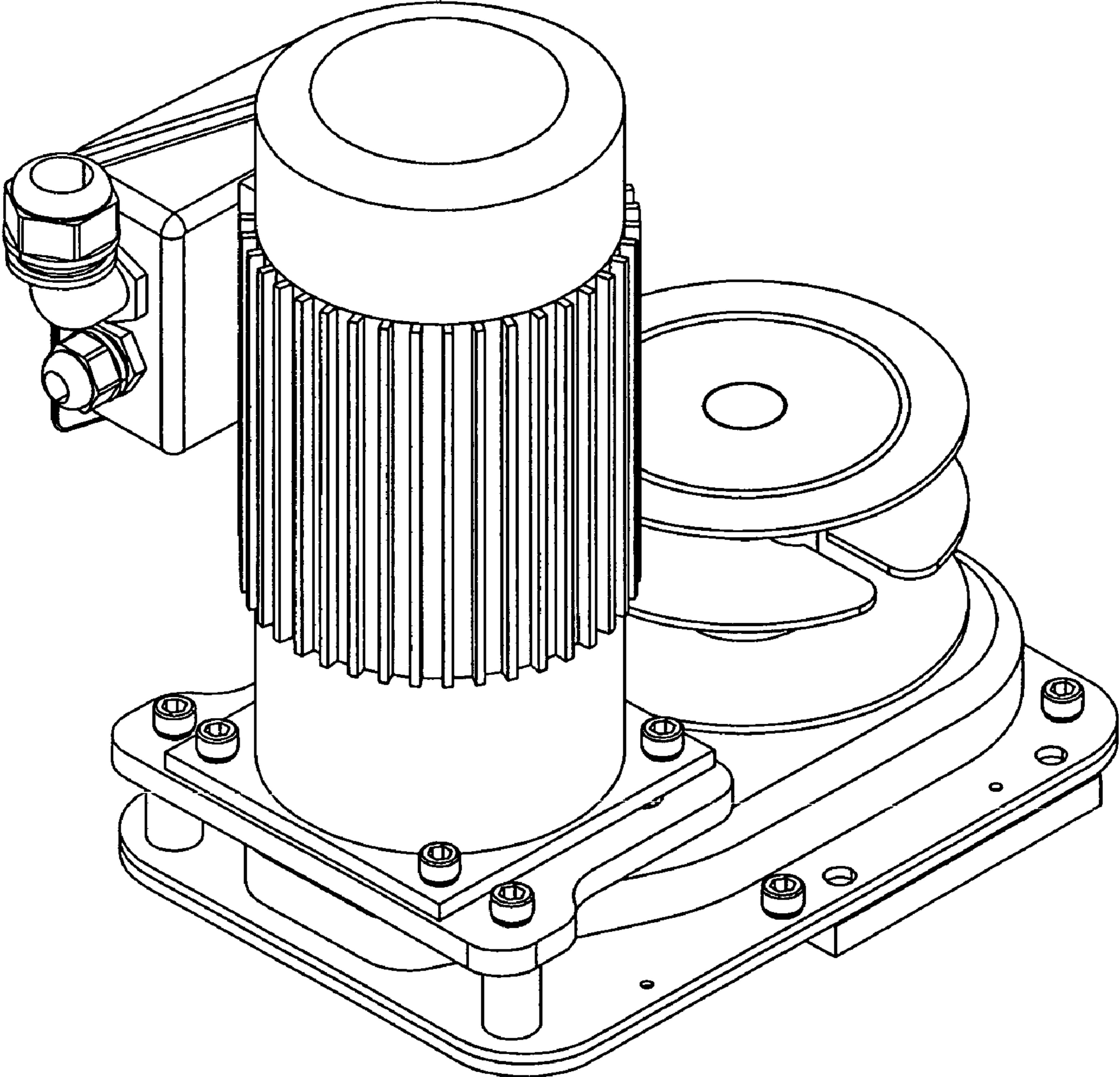


FIG. 1

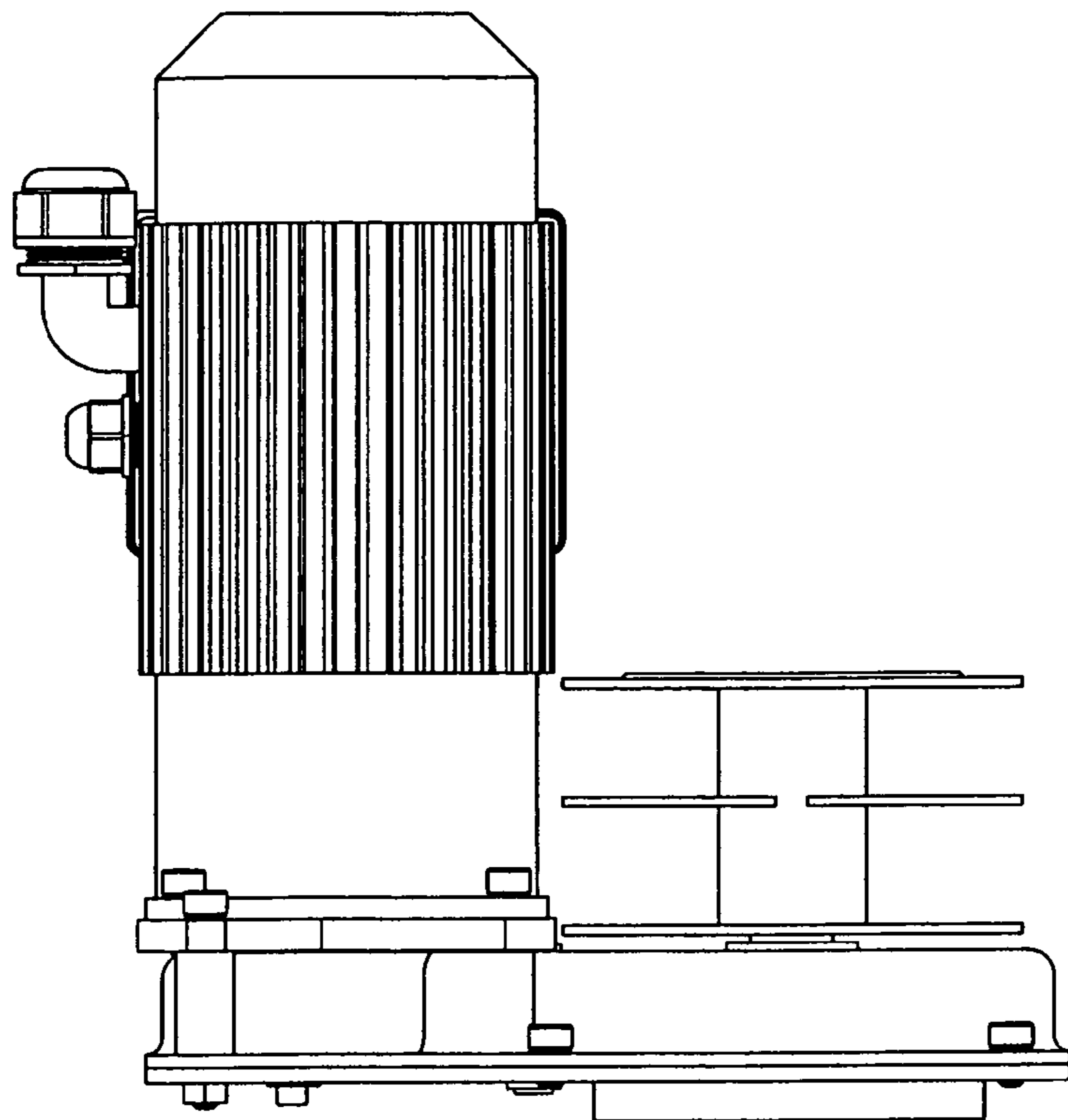


FIG. 2

FIG. 3

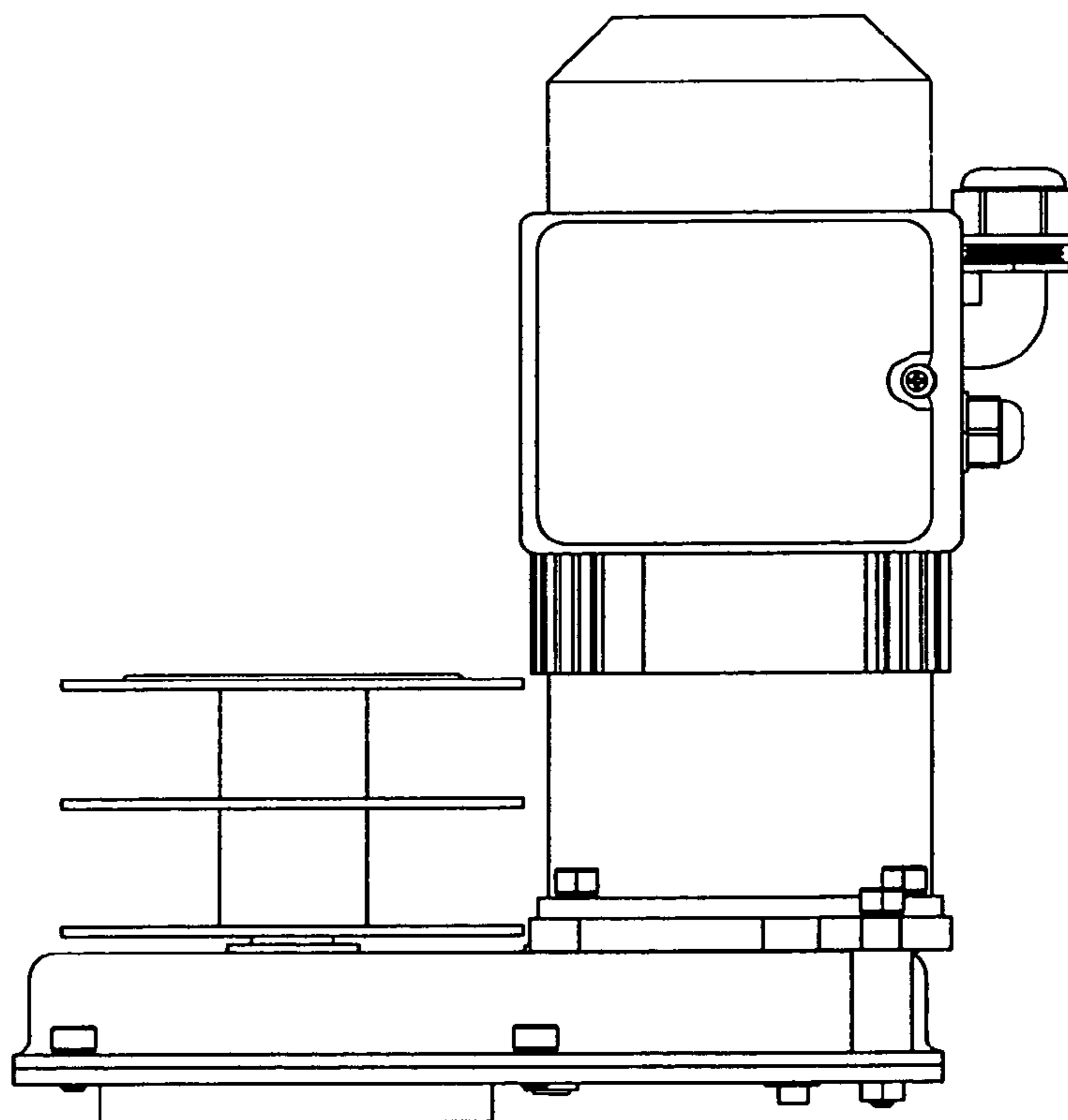


FIG.4

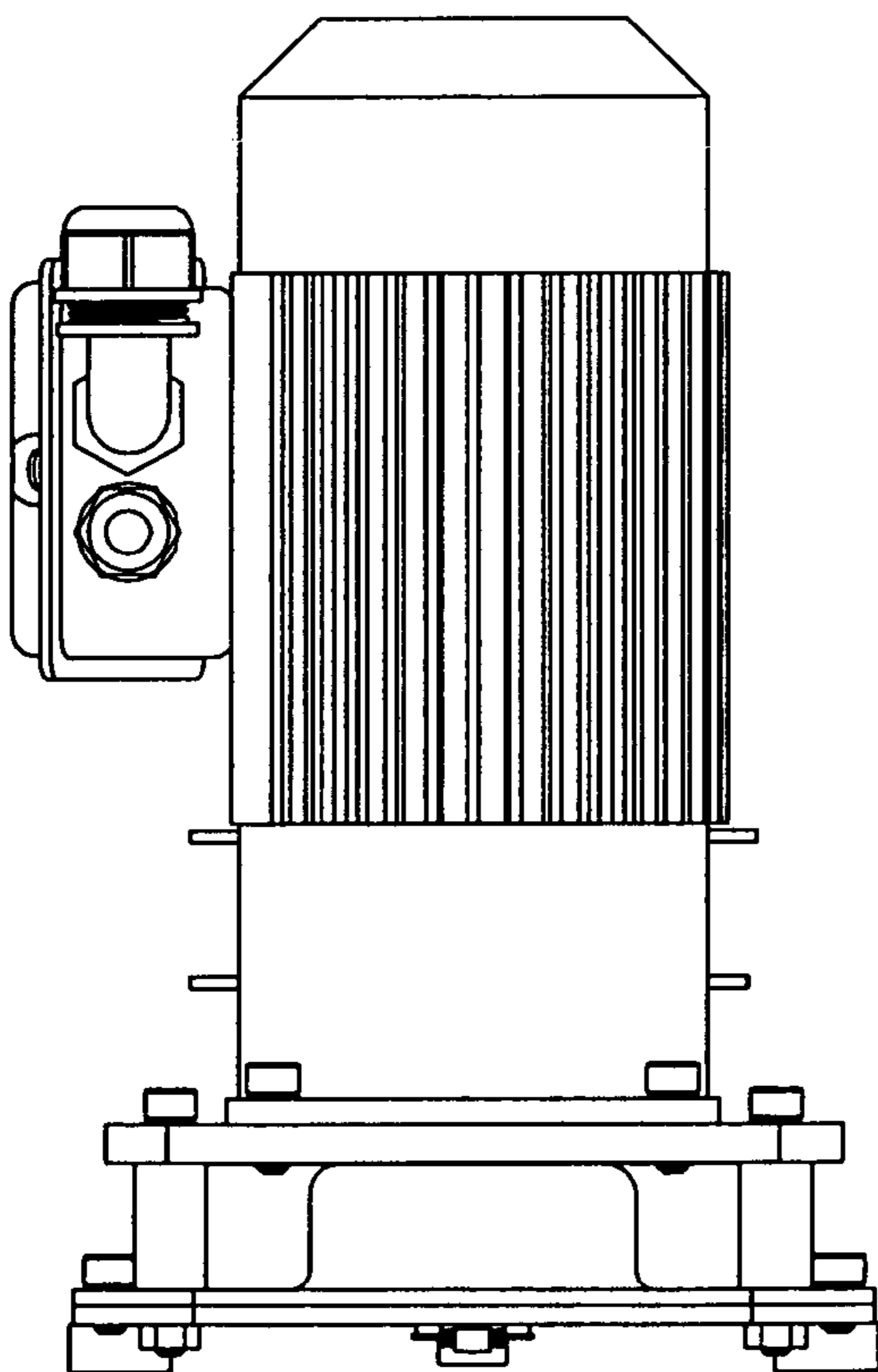
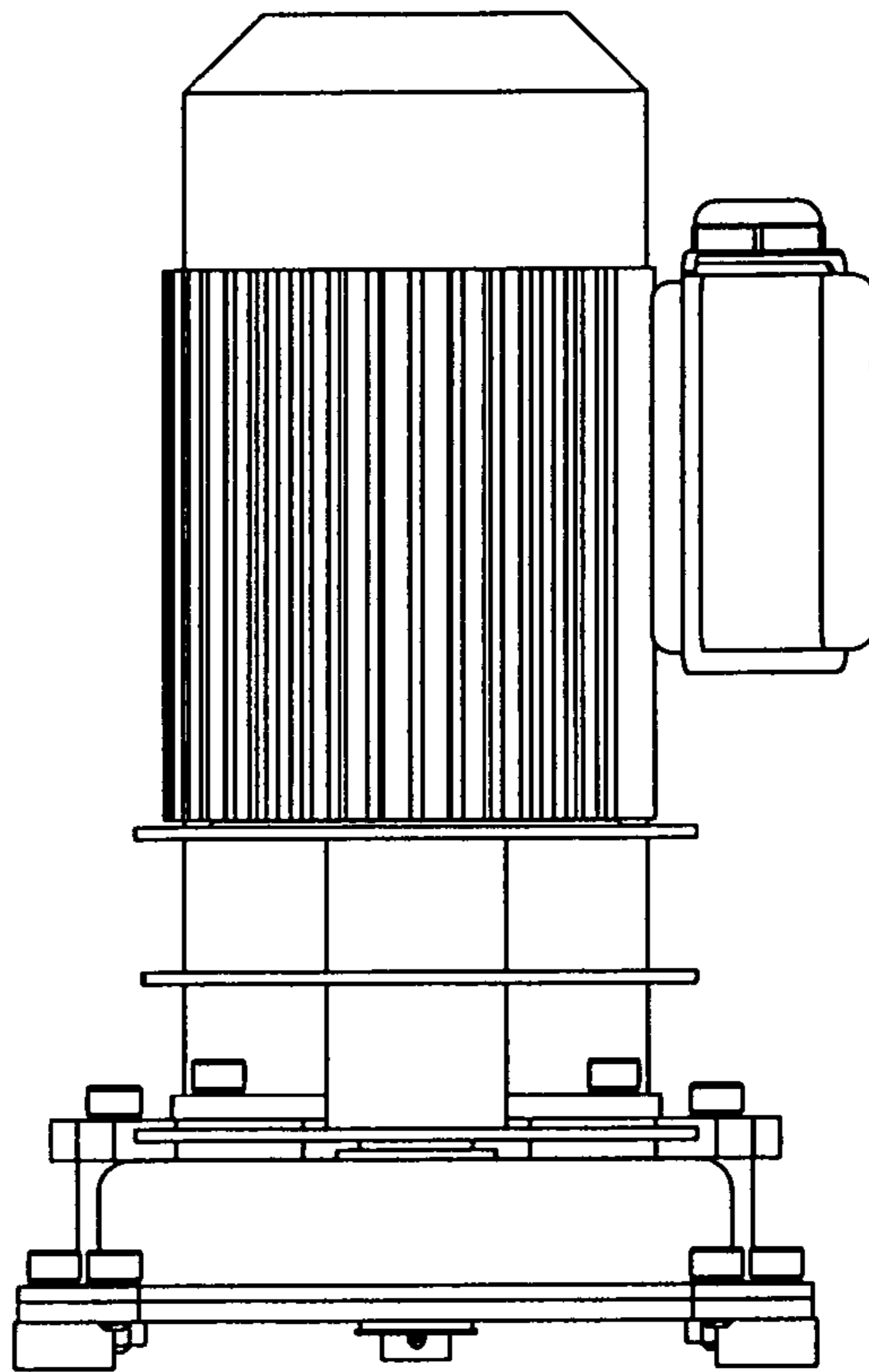


FIG.5

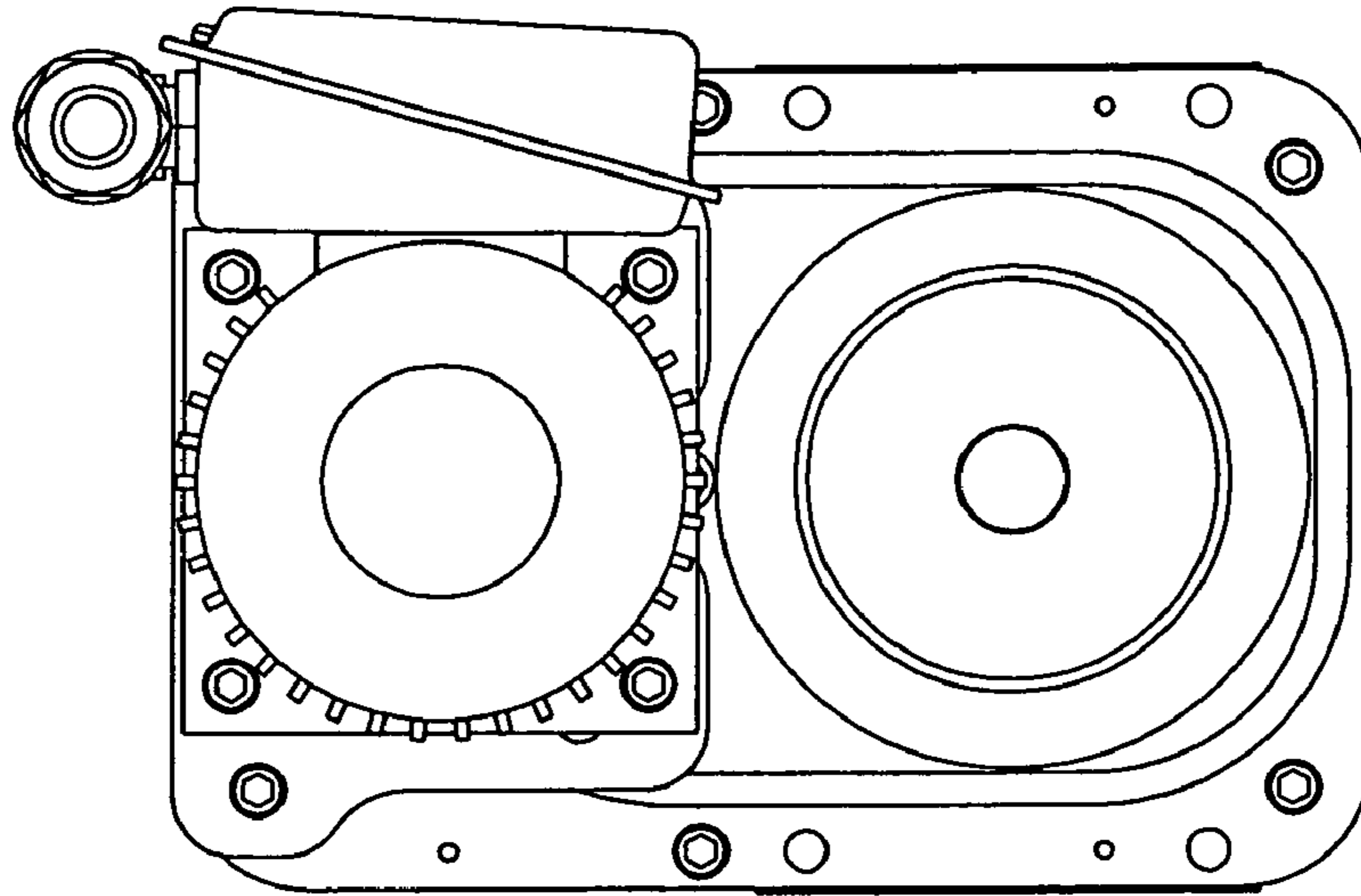


FIG. 6

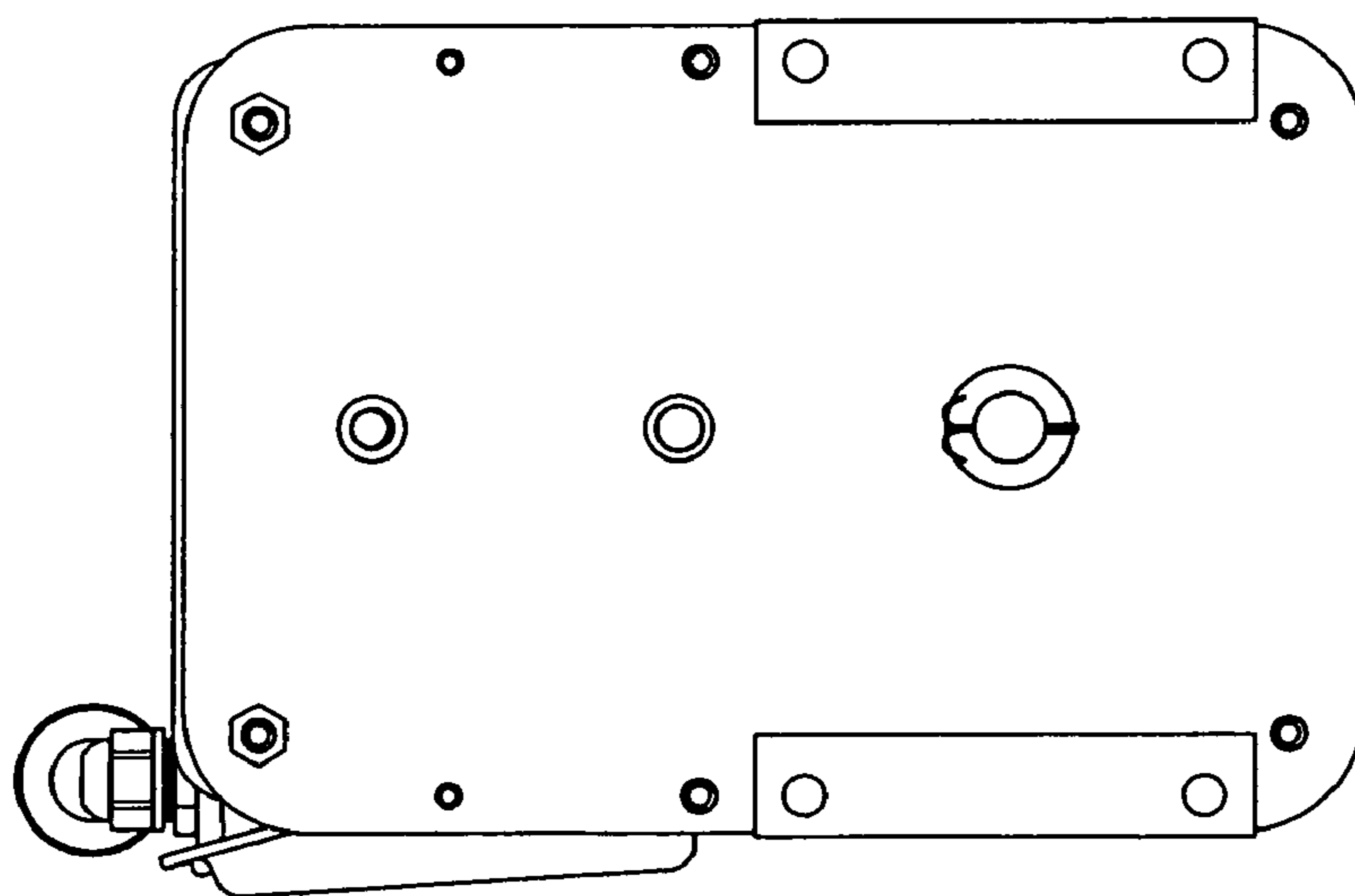


FIG. 7