



US00D586071S

(12) **United States Design Patent**  
**Morris**

(10) **Patent No.:** **US D586,071 S**

(45) **Date of Patent:** **\*\* Feb. 3, 2009**

(54) **WHEEL**

D542,003 S \* 5/2007 Morris ..... D34/27  
D567,730 S \* 4/2008 Polka ..... D12/204  
D570,070 S \* 5/2008 Morris ..... D34/27

(75) Inventor: **Michael A. Morris**, Rancho Palos  
Verdes, CA (US)

\* cited by examiner

(73) Assignee: **GEO Plastics**, Los Angeles, CA (US)

*Primary Examiner*—Cynthia E Ramirez

(\*\*) Term: **14 Years**

(74) *Attorney, Agent, or Firm*—Knobbe, Martens, Olson &  
Bear, LLP

(21) Appl. No.: **29/297,936**

(57) **CLAIM**

(22) Filed: **Nov. 21, 2007**

The ornamental design for a wheel, as shown and described.

(51) **LOC (9) Cl.** ..... **12-02**

(52) **U.S. Cl.** ..... **D34/27**

(58) **Field of Classification Search** ..... D34/12-27;  
D12/211, 204, 205, 501, 209, 88, 135; 301/64.1;  
D7/402; 280/282, 47.31, 87.042; D21/141,  
D21/71, 76

See application file for complete search history.

**DESCRIPTION**

FIG. 1 is a left, front and top perspective view of a wheel showing my new design;

FIG. 2 is a right, back, and top perspective view of the wheel of FIG. 1;

FIG. 3 is a front elevational view of the wheel of FIG. 1;

FIG. 4 is a back elevational view of the wheel of FIG. 1;

FIG. 5 is a top plan view of the wheel of FIG. 1;

FIG. 6 is a bottom plan view of the wheel of FIG. 1; and,

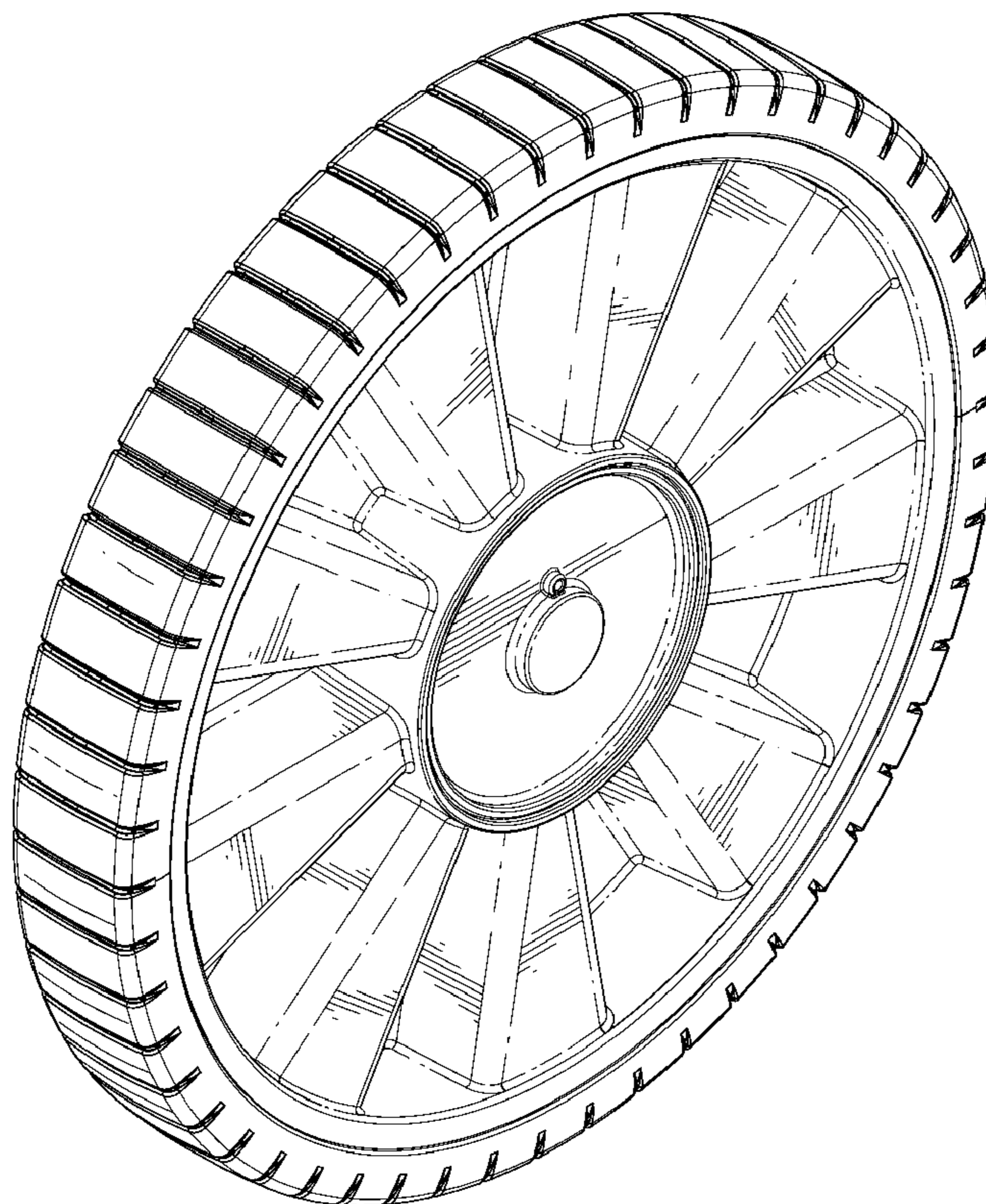
FIG. 7 is a left elevational view of the wheel of FIG. 1, the right side being substantially a mirror image of the left side.

(56) **References Cited**

**U.S. PATENT DOCUMENTS**

1,491,559 A \* 4/1924 Slick ..... 301/63.108  
D221,833 S \* 9/1971 Haydock ..... D8/375  
D327,048 S \* 6/1992 Markling et al. .... D12/204  
D328,053 S \* 7/1992 Markling ..... D12/501  
D352,687 S \* 11/1994 Markling ..... D12/204  
D444,283 S \* 6/2001 Konkle ..... D34/27

**1 Claim, 5 Drawing Sheets**



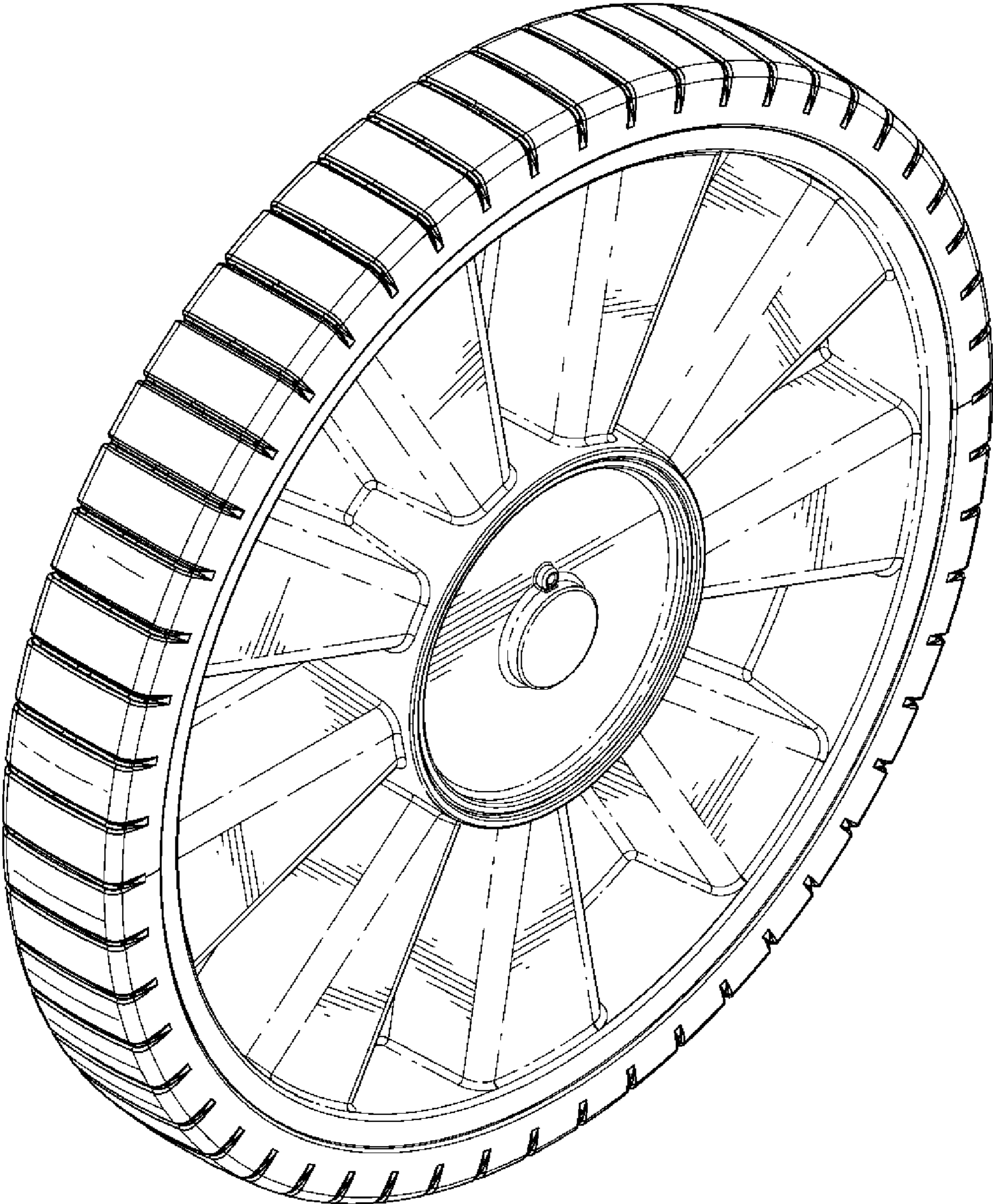


FIG. 1



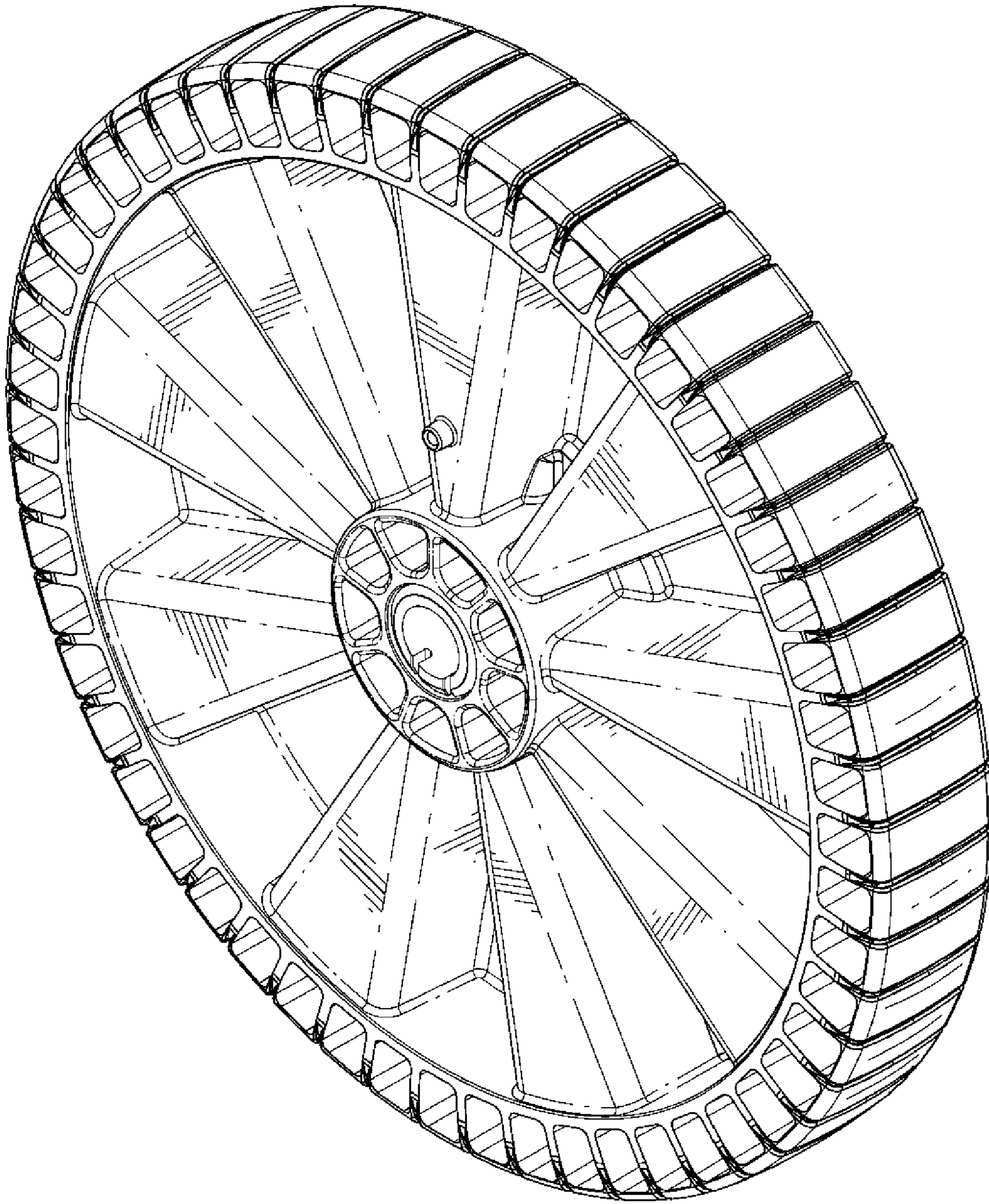


FIG. 2

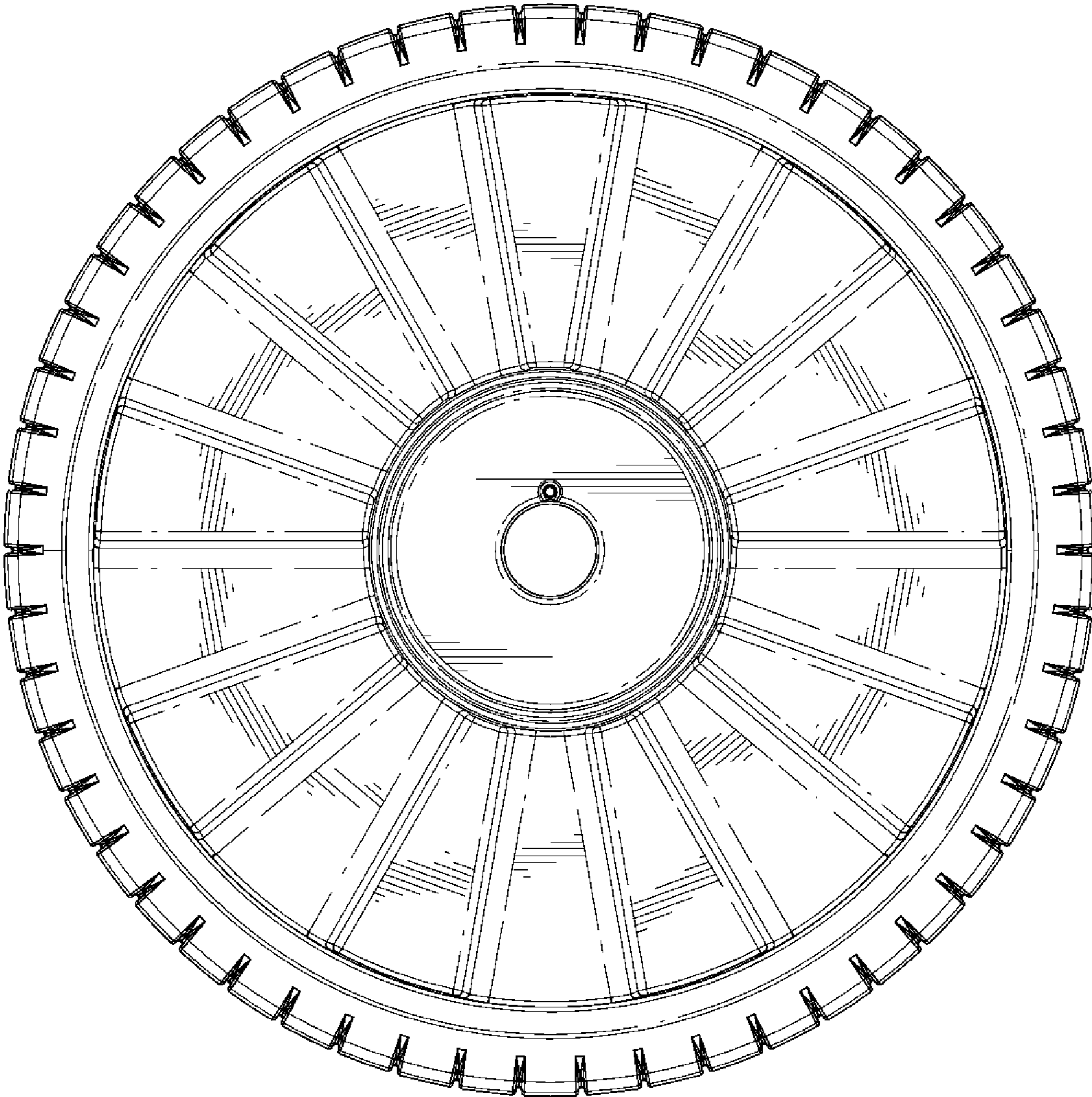


FIG. 3



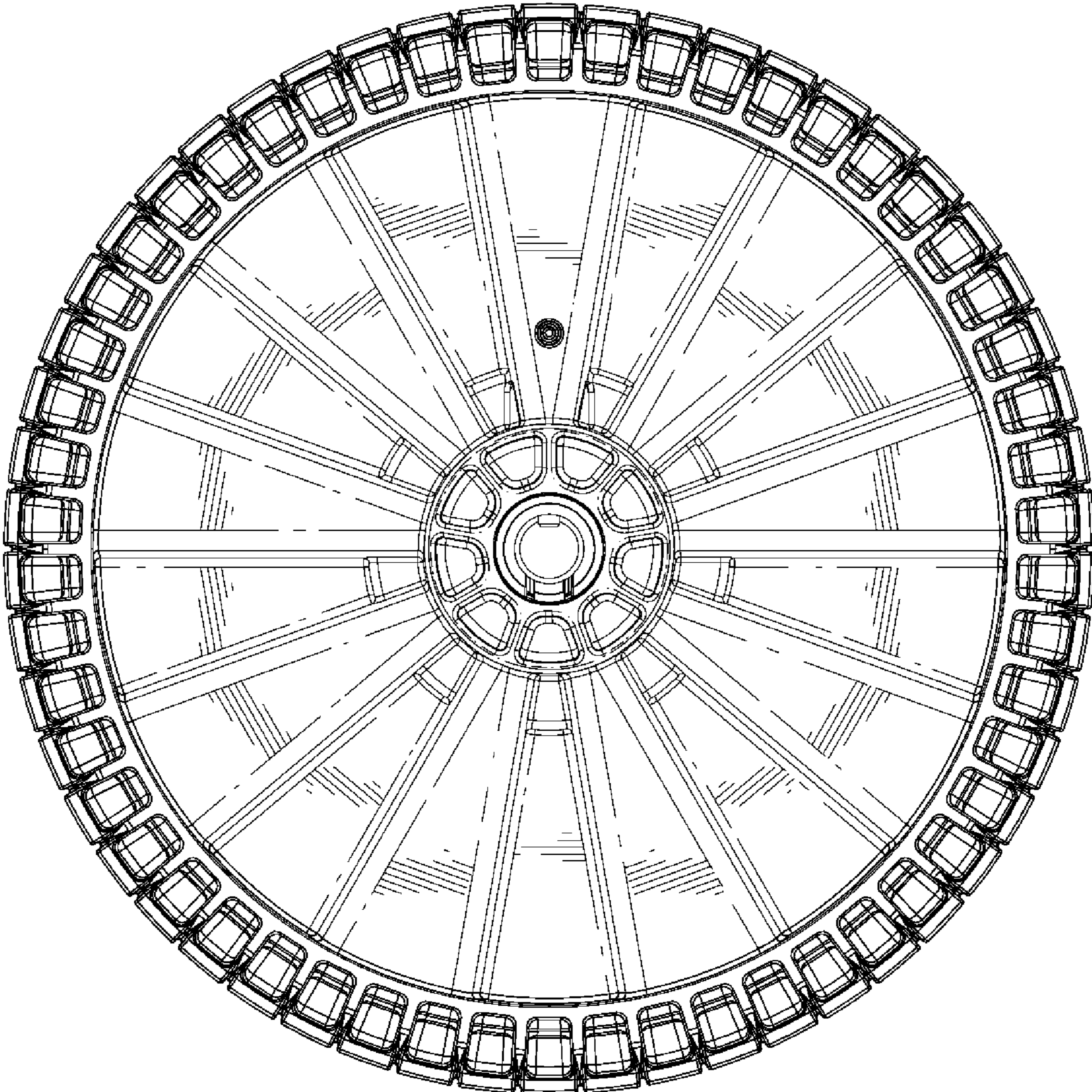


FIG. 4

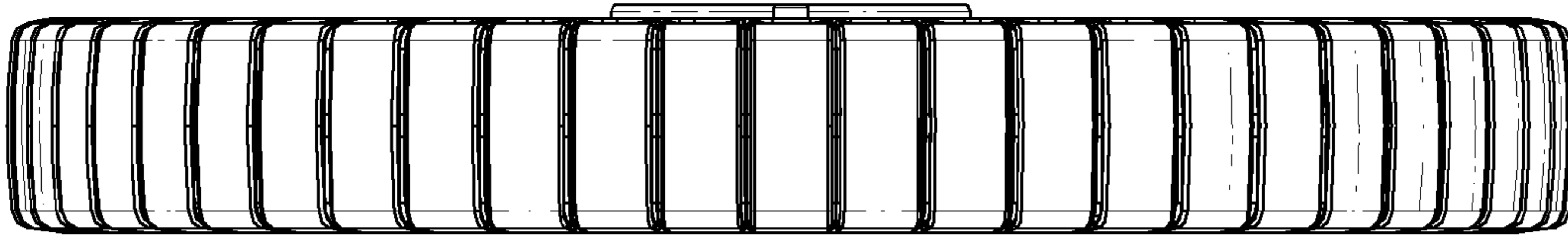


FIG. 5

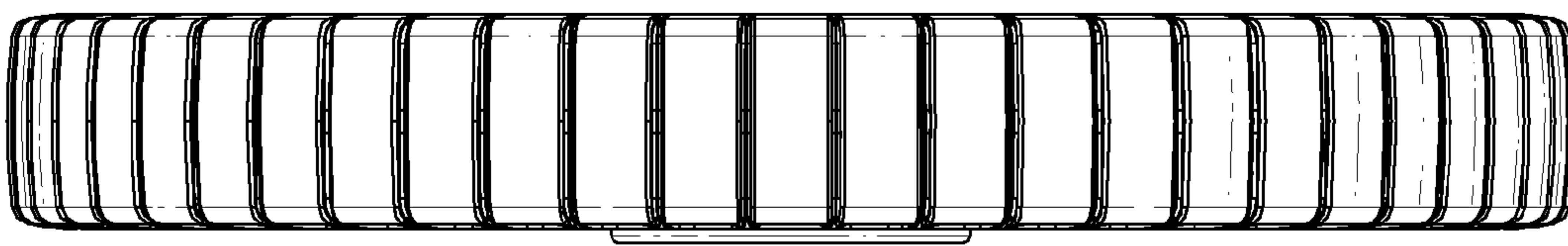


FIG. 6

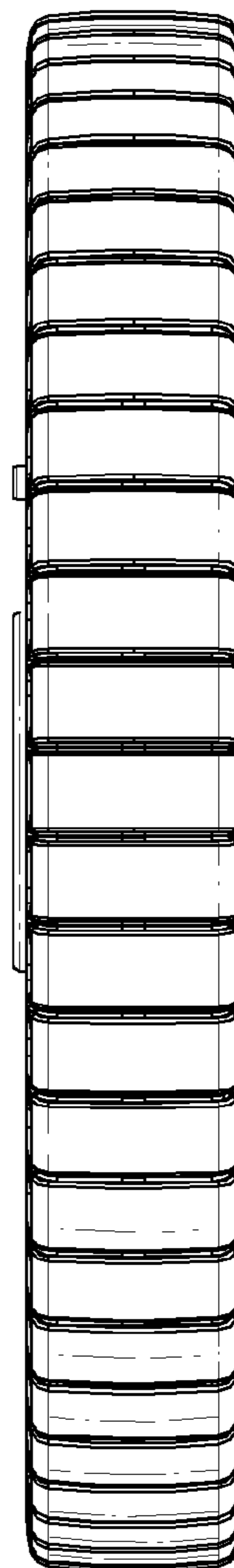


FIG. 7