



US00D586067S

(12) **United States Design Patent**
Tuncel

(10) **Patent No.:** **US D586,067 S**

(45) **Date of Patent:** **** Feb. 3, 2009**

(54) **RECEPTACLE FOR WASTE MANAGEMENT**

(75) Inventor: **Levent Tuncel**, Atlanta, GA (US)

(73) Assignee: **Levent Industries, Inc.**, Atlanta, GA (US)

(**) Term: **14 Years**

(21) Appl. No.: **29/302,593**

(22) Filed: **Jan. 18, 2008**

(51) **LOC (9) Cl.** **09-09**

(52) **U.S. Cl.** **D34/7**

(58) **Field of Classification Search** D34/1,
D34/5, 6, 7, 8, 9, 10, 11; 220/908-913

See application file for complete search history.

(56) **References Cited**

U.S. PATENT DOCUMENTS

3,309,160	A *	3/1967	Lewis	312/308
D319,123	S	8/1991	DeRewal	
D319,519	S *	8/1991	Keir	D34/7
5,082,139	A *	1/1992	Quam	220/530
D355,740	S *	2/1995	Kirchner	D34/1
D419,605	S *	1/2000	Thomas et al.	D20/19
D461,940	S	8/2002	Meinzinger	
D556,054	S	11/2007	Stephens	

D568,568 S * 5/2008 Wood D34/1

* cited by examiner

Primary Examiner—Cynthia E Ramirez

(57) **CLAIM**

The ornamental design for a receptacle for waste management, as shown and described.

DESCRIPTION

FIG. 1 is a perspective view of a receptacle for waste management showing my new design;

FIG. 2 is a top plan view of a receptacle for waste management;

FIG. 3 is a bottom plan view of a receptacle for waste management;

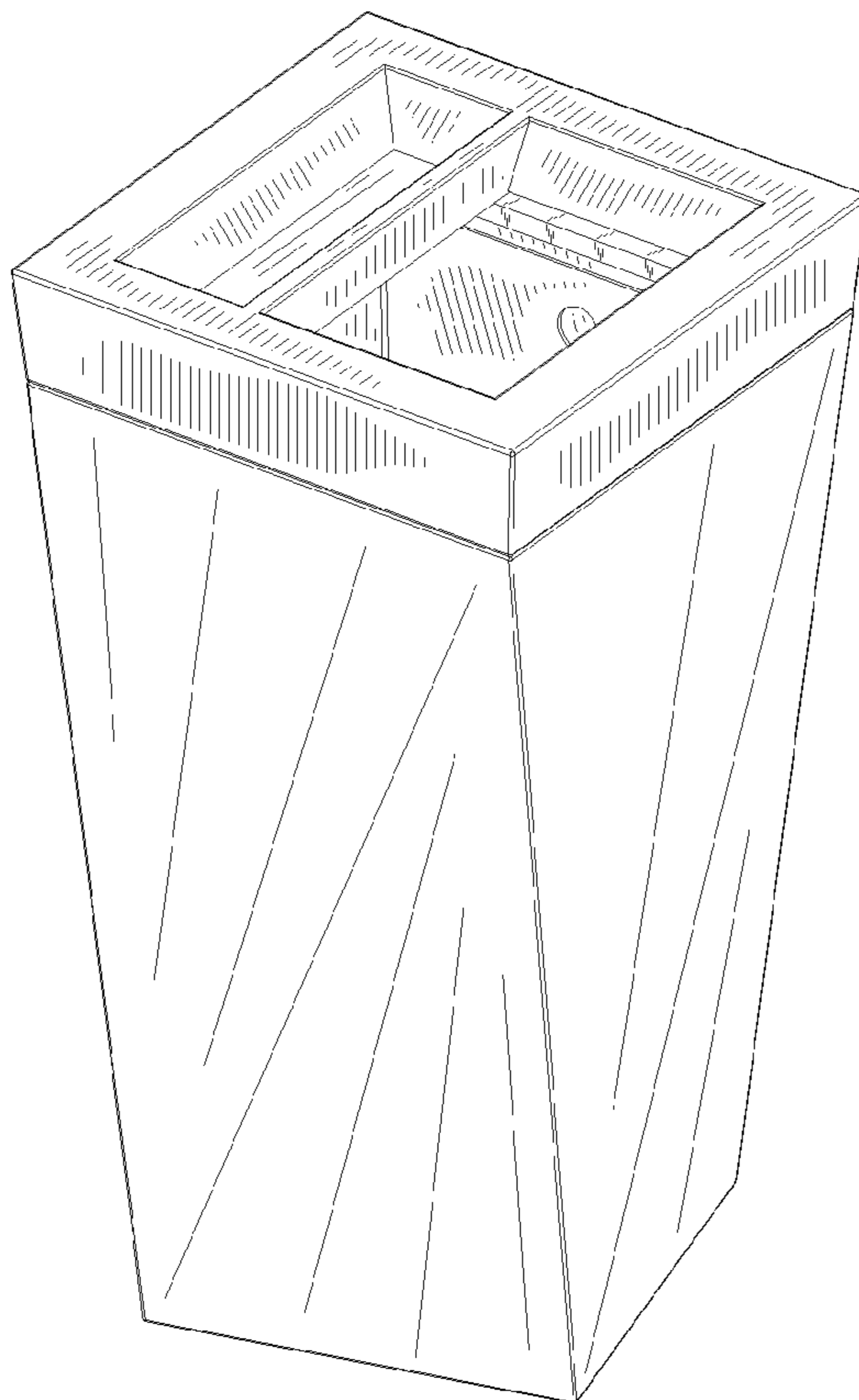
FIG. 4 is a front plan view of a receptacle for waste management;

FIG. 5 is a rear plan view of a receptacle for waste management;

FIG. 6 is a left side view of a receptacle for waste management, the right side plan view being identical; and,

FIG. 7 is an exploded perspective view of a receptacle for waste management.

1 Claim, 7 Drawing Sheets



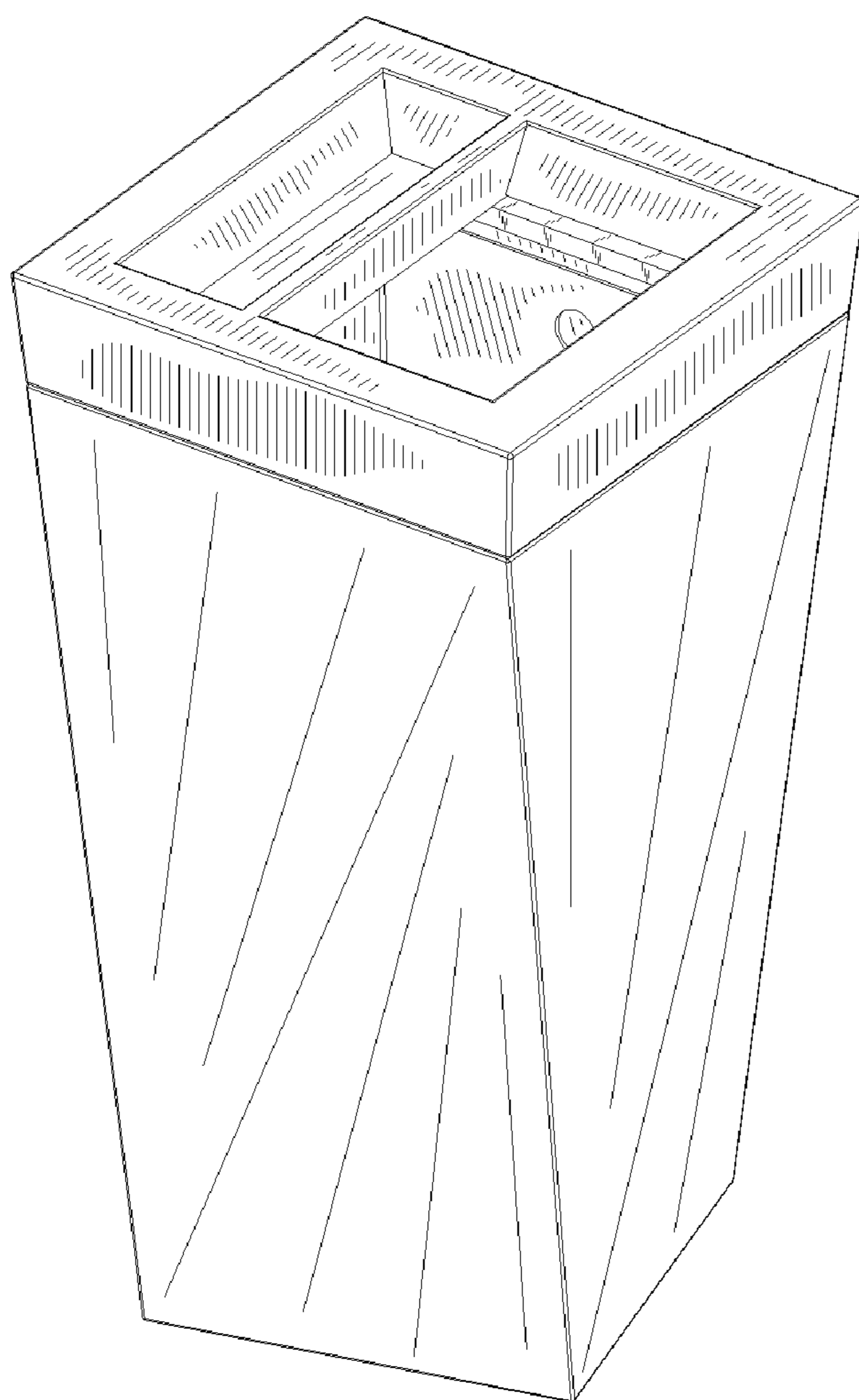


FIG. 1

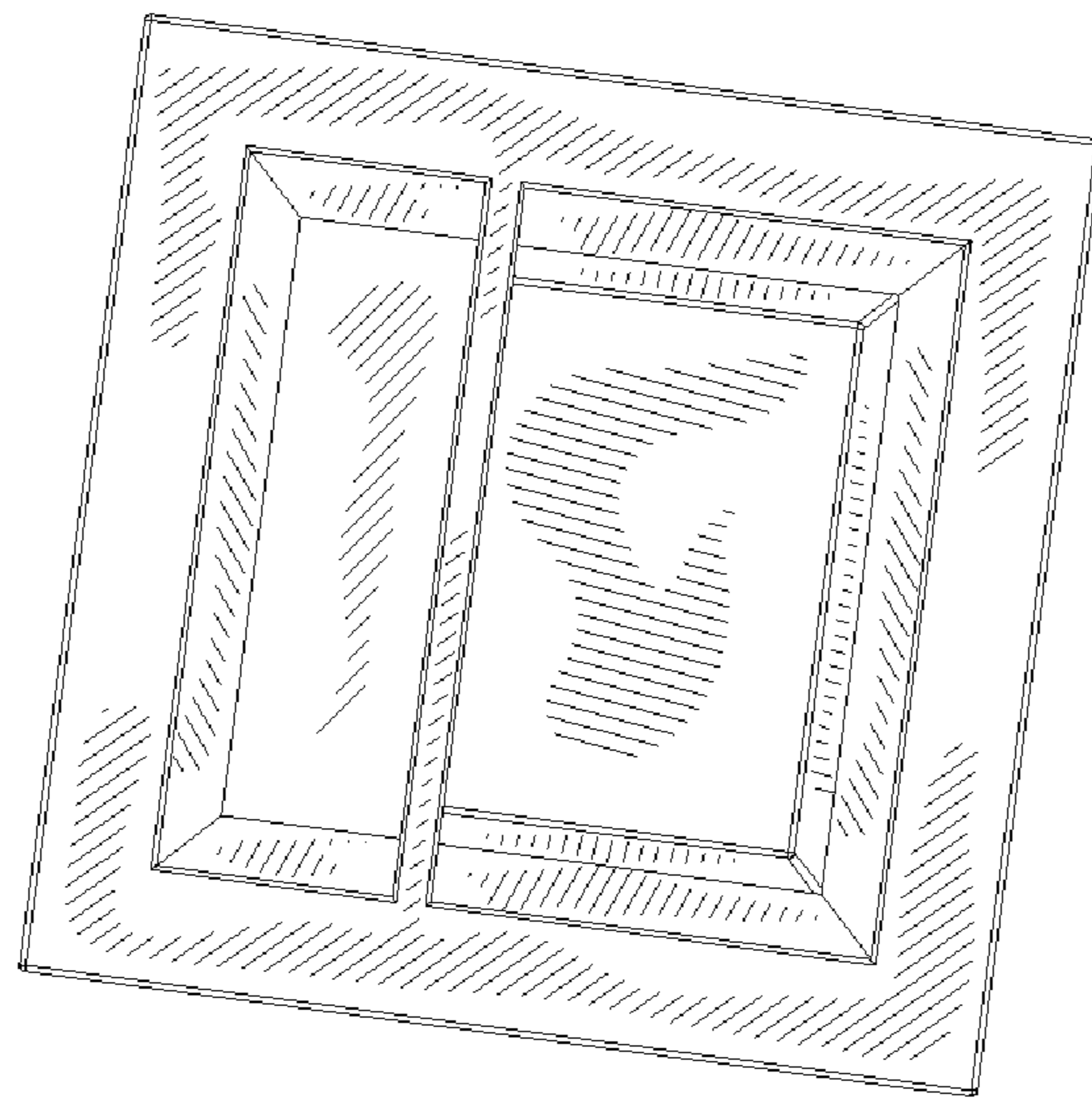


FIG. 2

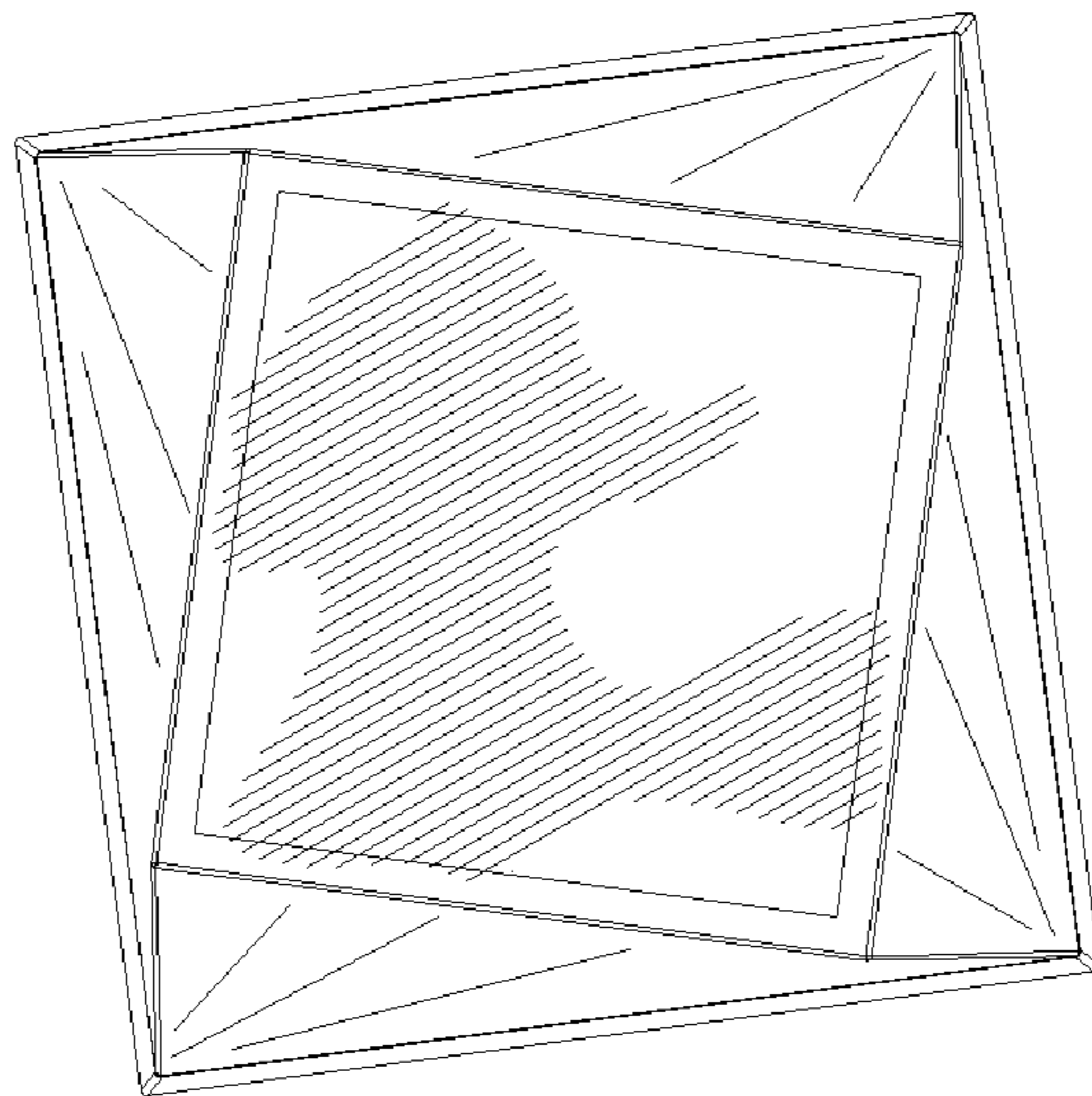


FIG. 3

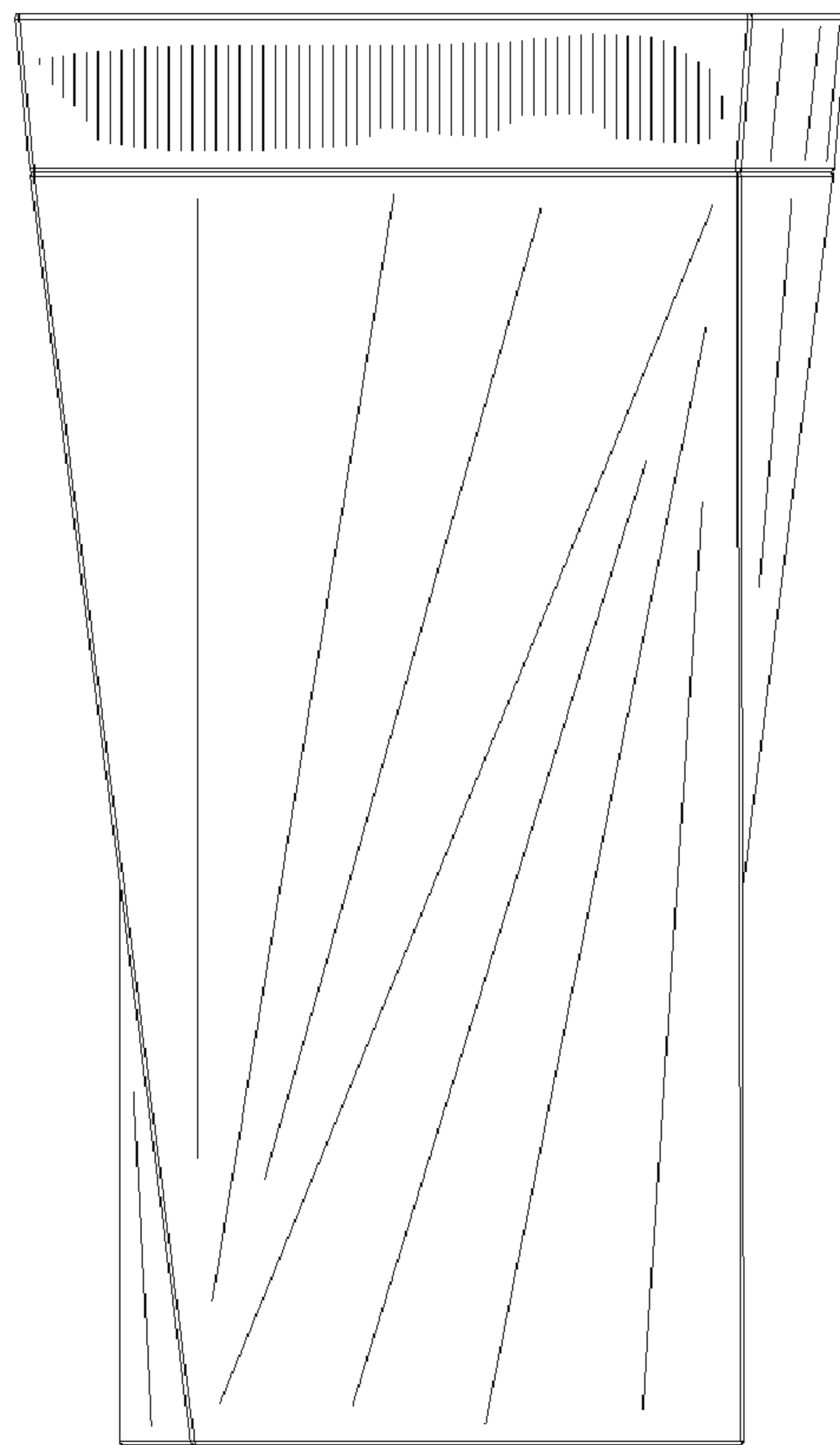


FIG. 4

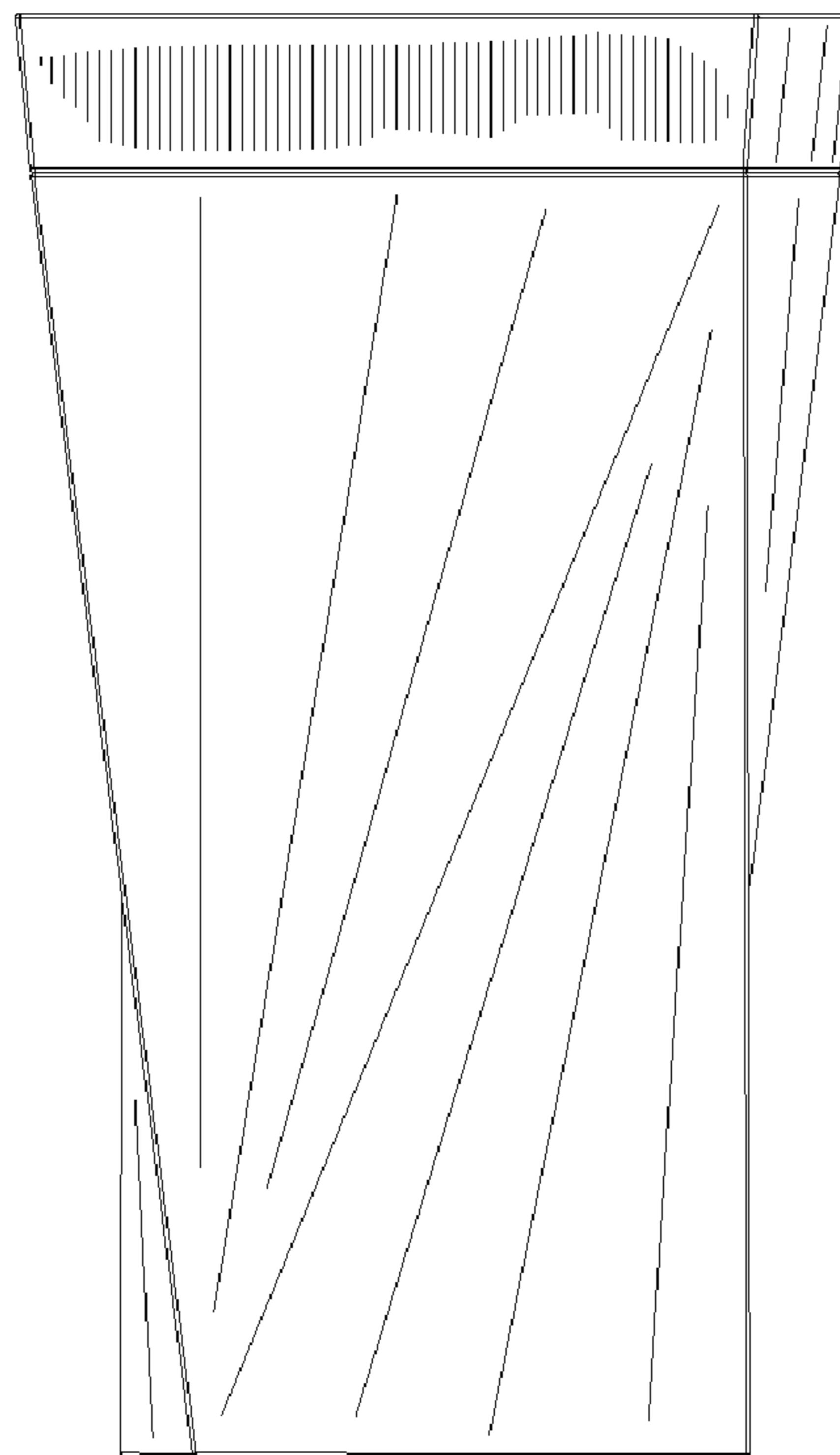


FIG. 5

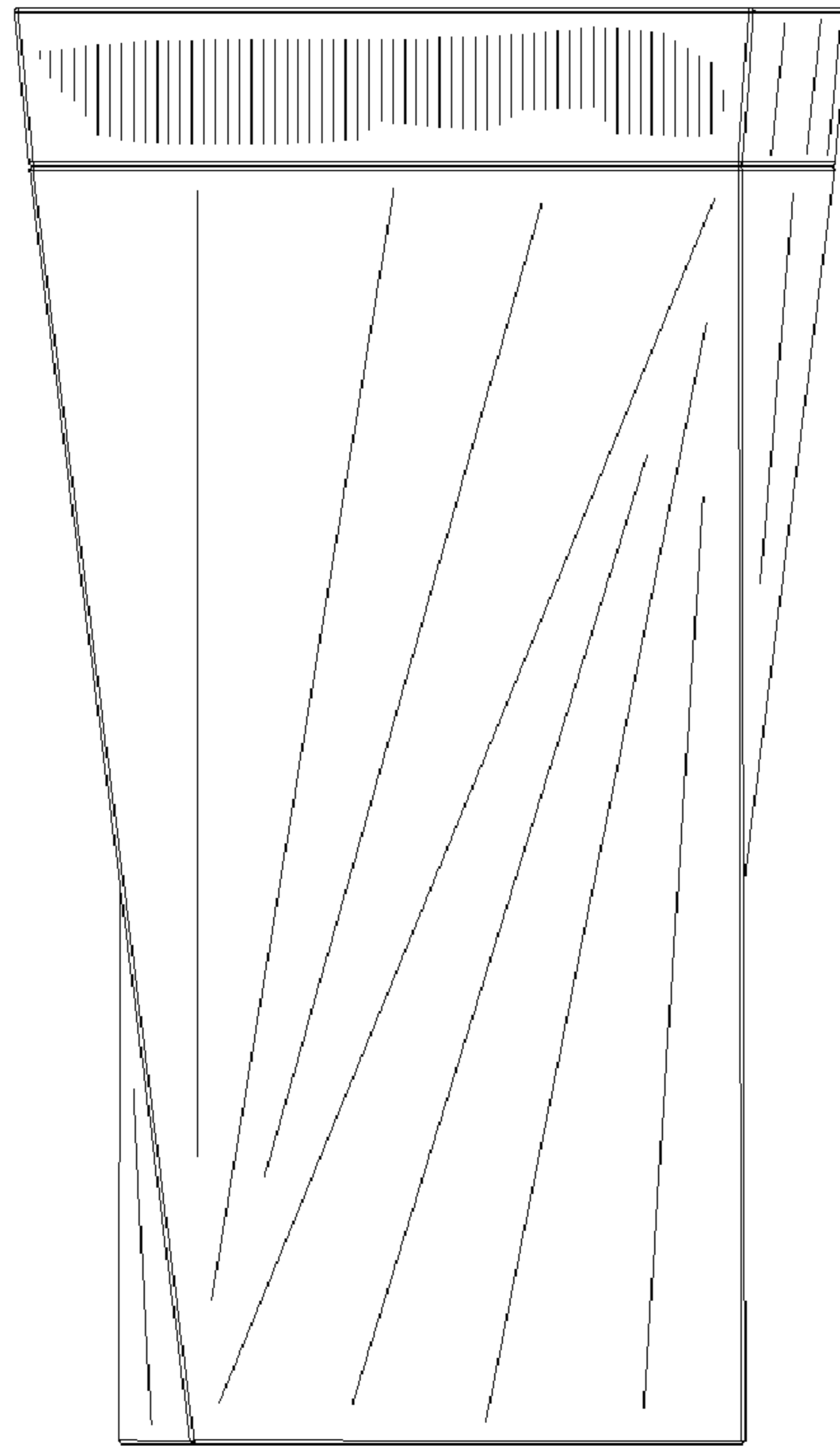


FIG. 6

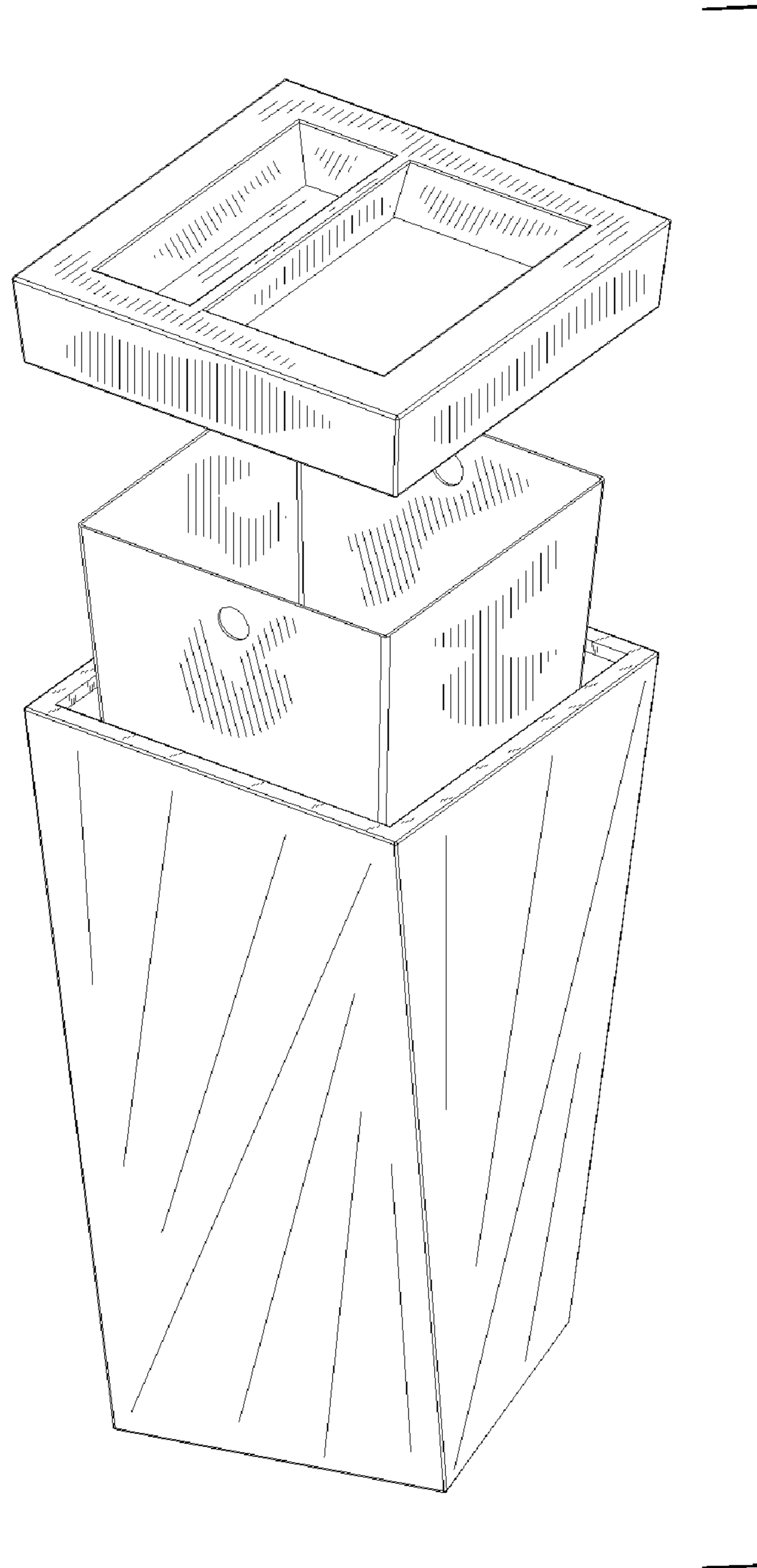


FIG. 7