



US00D586066S

(12) **United States Design Patent**
Lin

(10) **Patent No.:** **US D586,066 S**

(45) **Date of Patent:** **** Feb. 3, 2009**

(54) **AUTOMATED TRASH CAN**

(76) **Inventor:** **Cuiwen Lin**, 17037 Green Dr., City of Industry, CA (US) 91745

(**) **Term:** **14 Years**

(21) **Appl. No.:** **29/294,972**

(22) **Filed:** **Feb. 6, 2008**

(51) **LOC (9) Cl.** **09-09**

(52) **U.S. Cl.** **D34/7**

(58) **Field of Classification Search** D34/1-11;
220/908-913, 262-264

See application file for complete search history.

(56) **References Cited**

U.S. PATENT DOCUMENTS

D488,604 S *	4/2004	Yang et al.	D34/9
D489,853 S *	5/2004	Verbeek et al.	D34/7
D489,857 S *	5/2004	Yang et al.	D34/9
D517,763 S *	3/2006	Daams	D34/9
D525,756 S *	7/2006	Yang et al.	D34/9
D528,726 S *	9/2006	Lin	D34/9
7,121,421 B2 *	10/2006	Yang et al.	220/263
D532,175 S *	11/2006	Lin	D34/7
D533,703 S *	12/2006	Lin	D34/7
D539,498 S *	3/2007	Yang et al.	D34/9
D540,000 S *	4/2007	Mandel	D34/7

D547,020 S *	7/2007	Chen	D34/7
D557,869 S *	12/2007	Hawker et al.	D34/9
D559,494 S *	1/2008	Yang et al.	D34/7
D564,169 S *	3/2008	Wang	D34/7
2005/0082196 A1 *	4/2005	Lin	206/554

* cited by examiner

Primary Examiner—Cynthia E Ramirez

(74) *Attorney, Agent, or Firm*—Raymond Y. Chan; David and Raymond Patent Firm

(57) **CLAIM**

The ornamental design for an automated trash can, as shown and described.

DESCRIPTION

FIG. 1 is a perspective view of an automated trash can showing my new design;

FIG. 2 is a front view thereof;

FIG. 3 is a rear view thereof;

FIG. 4 is a right end view thereof;

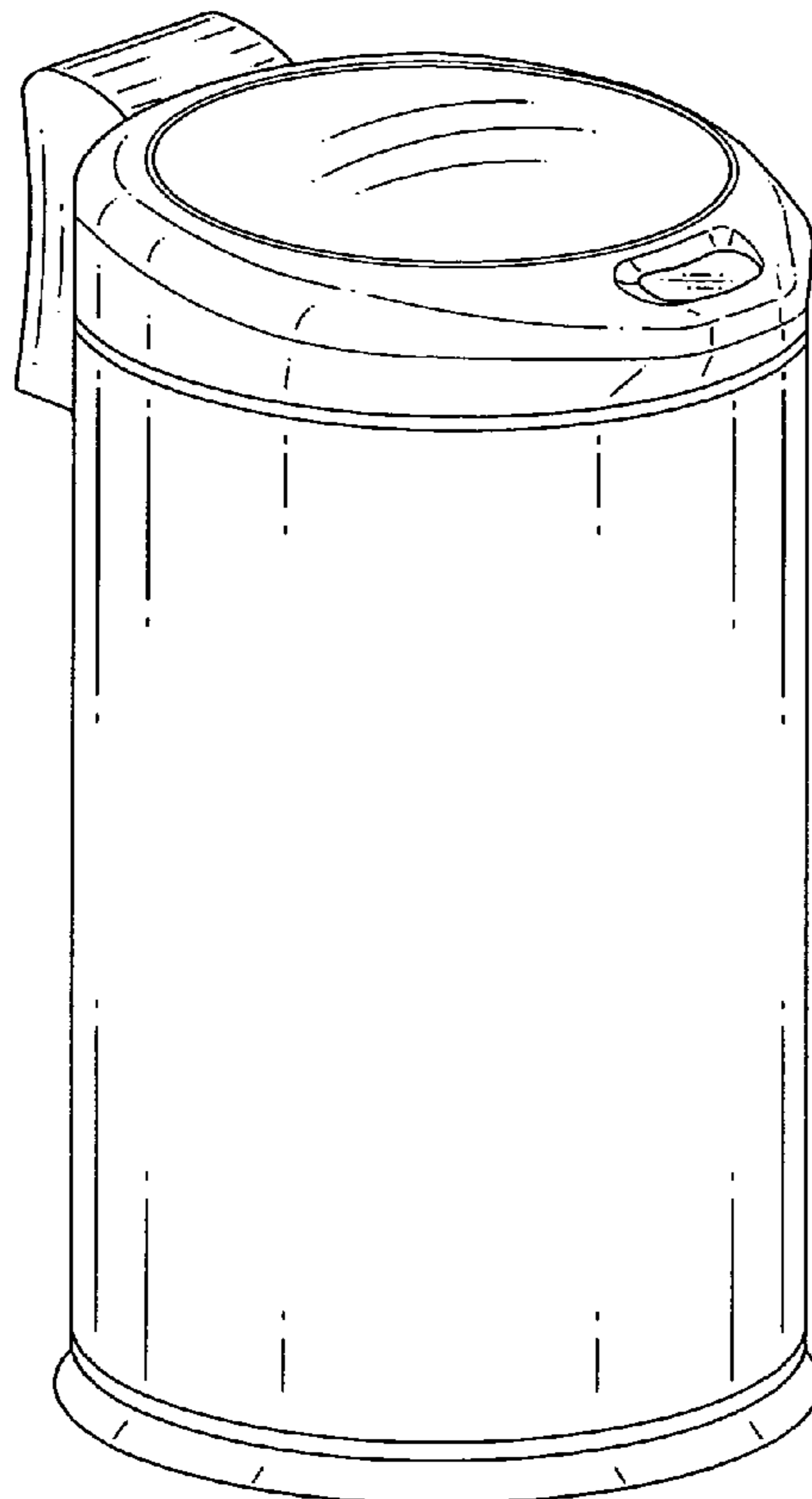
FIG. 5 is a left end view thereof;

FIG. 6 is a top view thereof;

FIG. 7 is a bottom view thereof; and,

FIG. 8 is a perspective view in an open position thereof.

1 Claim, 8 Drawing Sheets



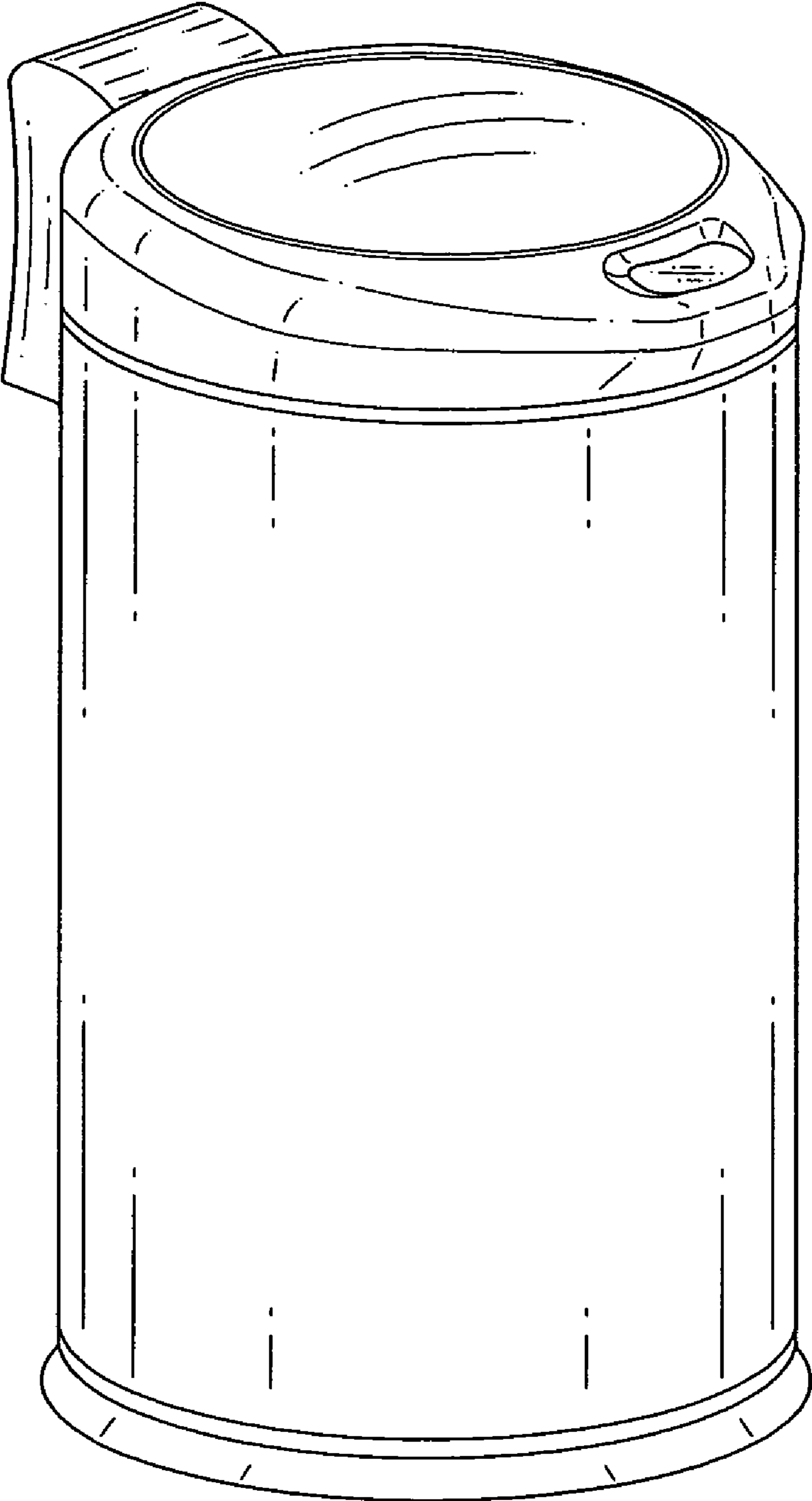


Fig. 1

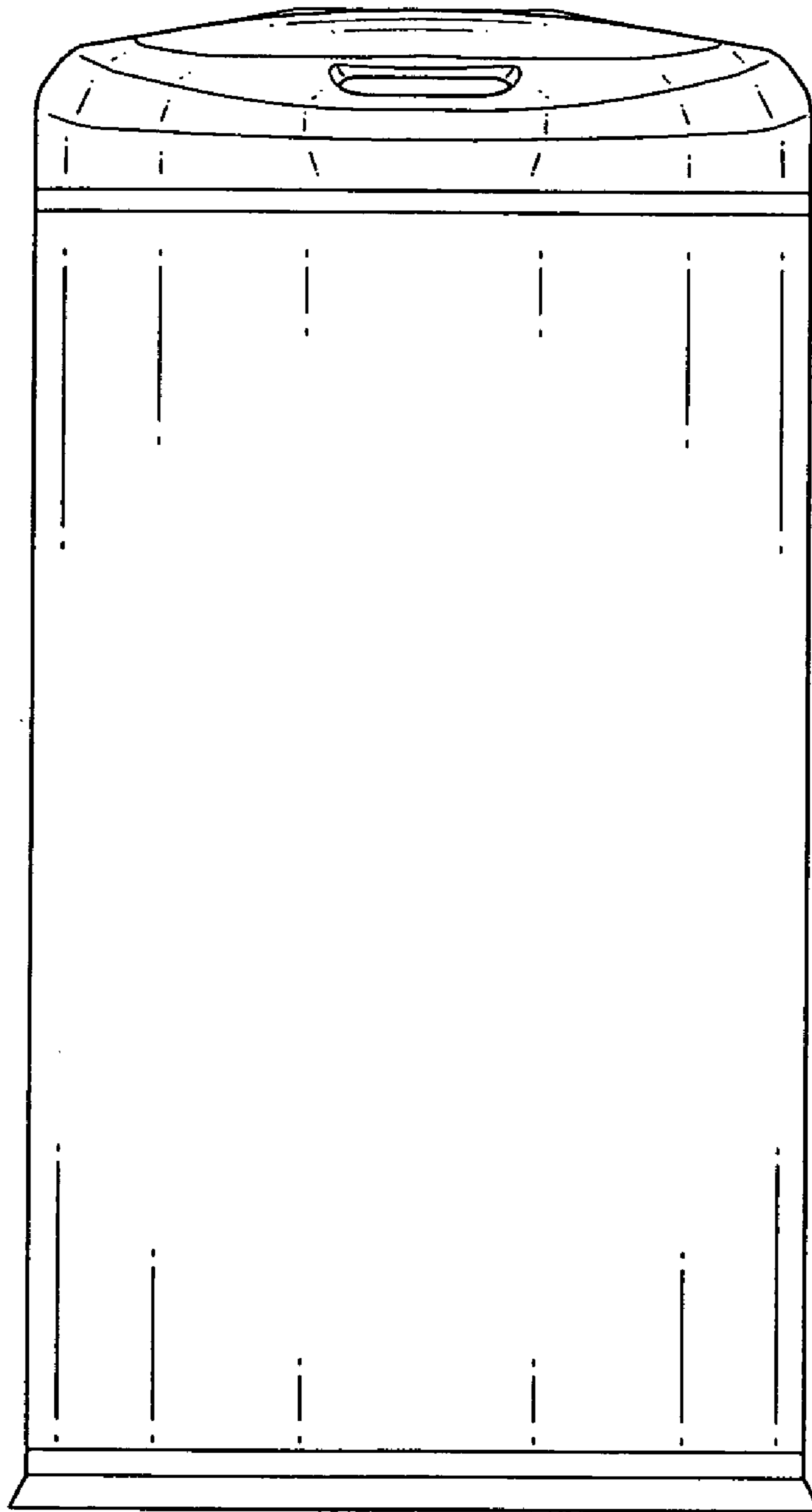


Fig.2

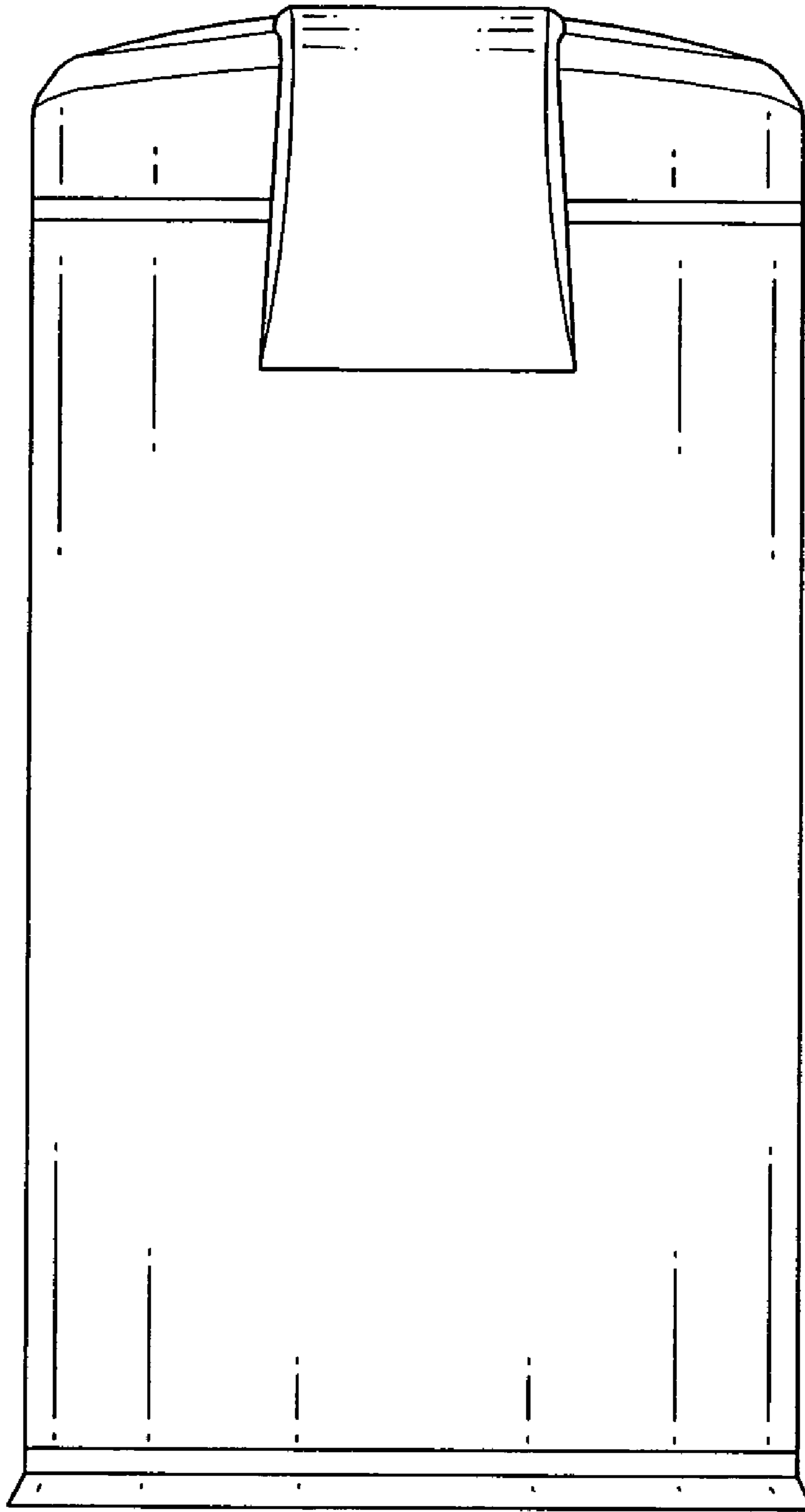


Fig.3

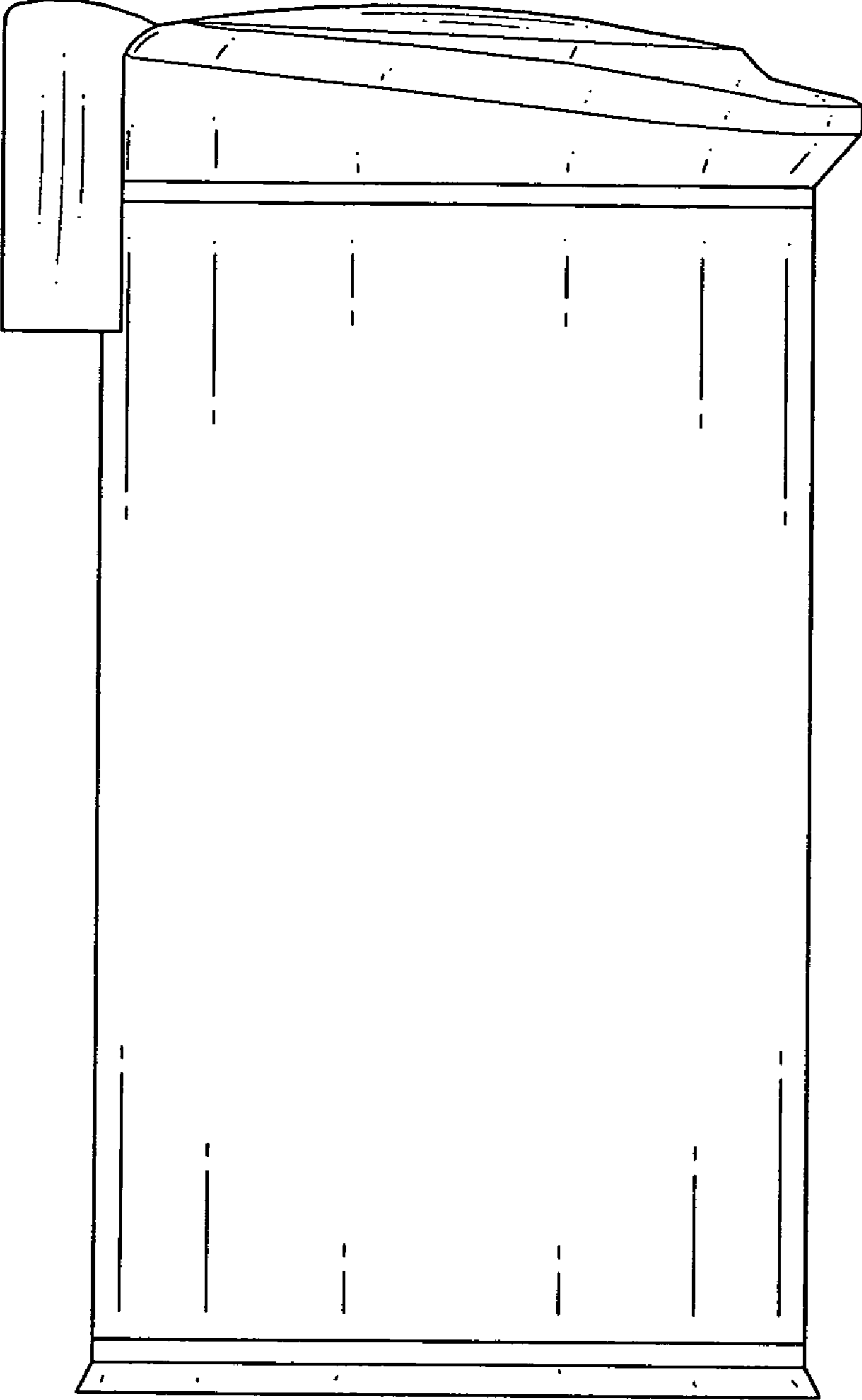


Fig.4

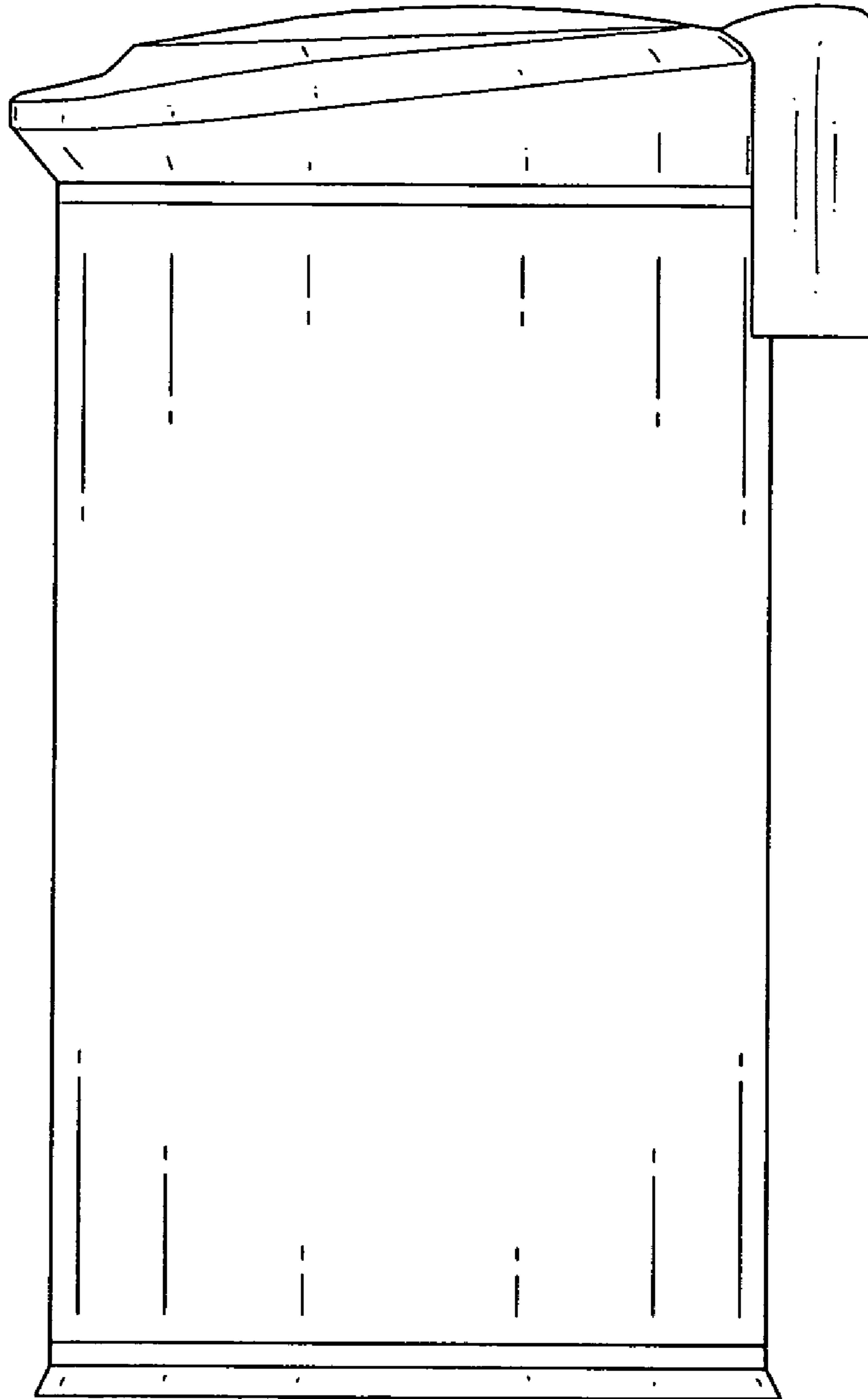


Fig.5

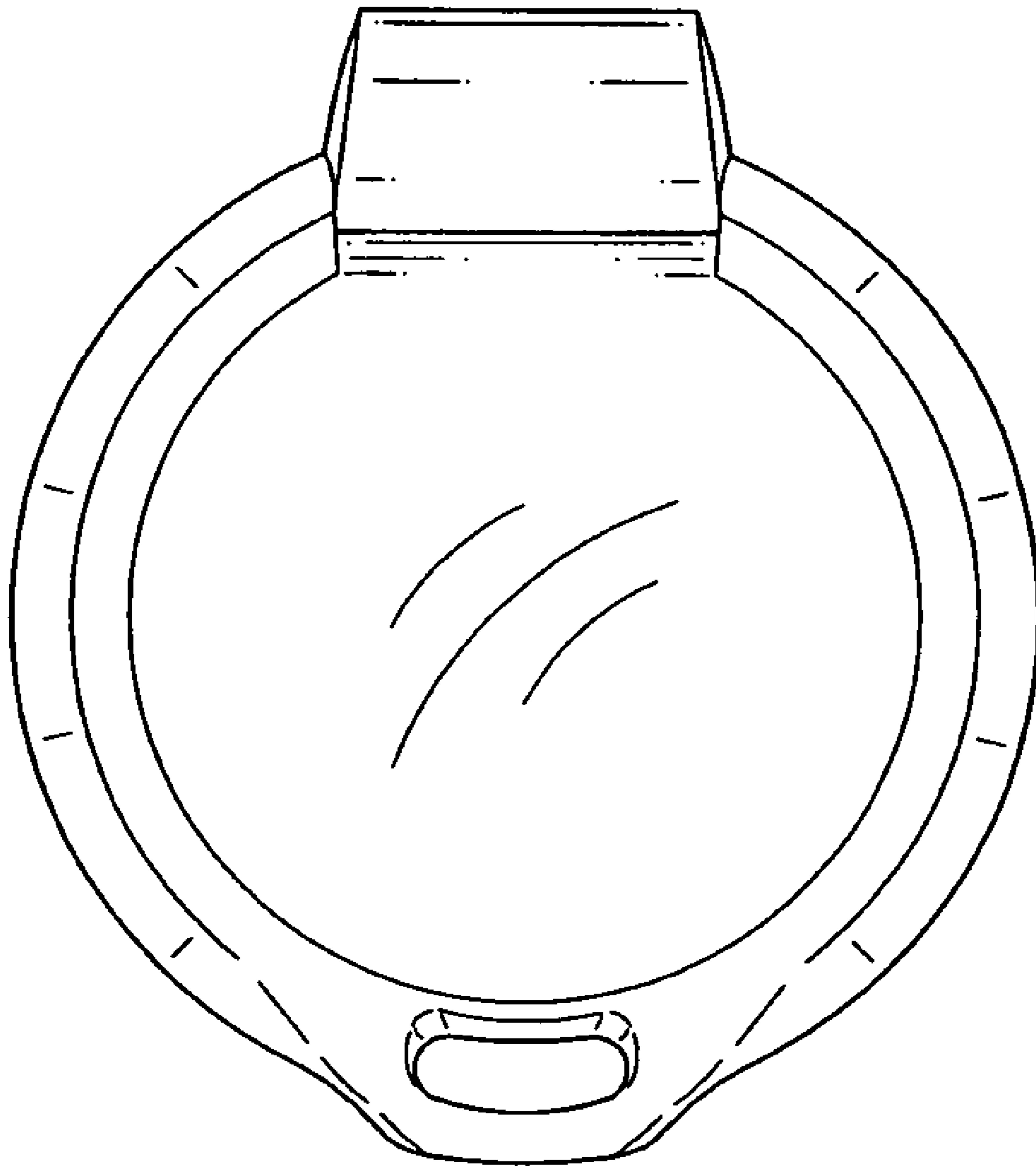


Fig.6

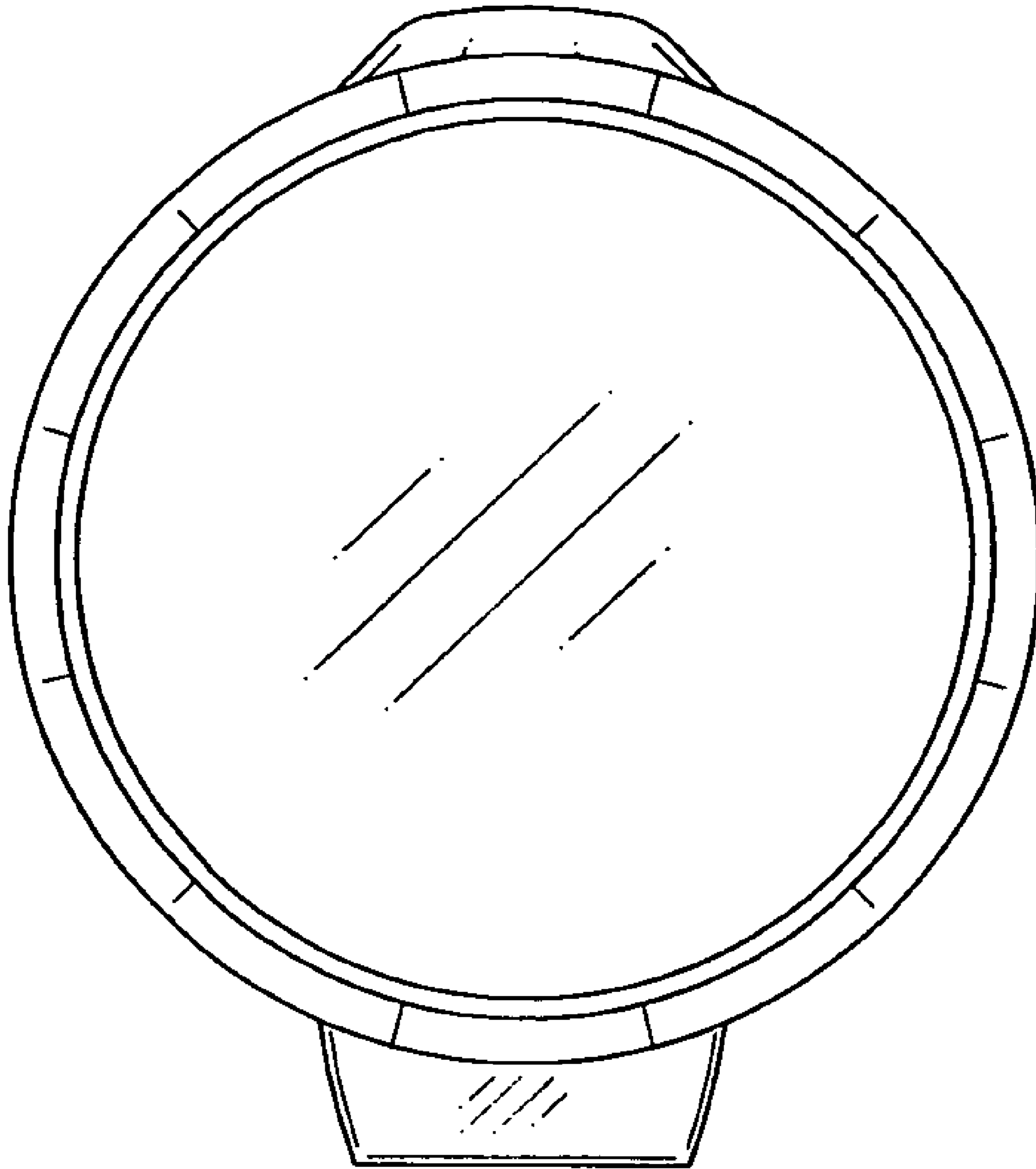


Fig.7

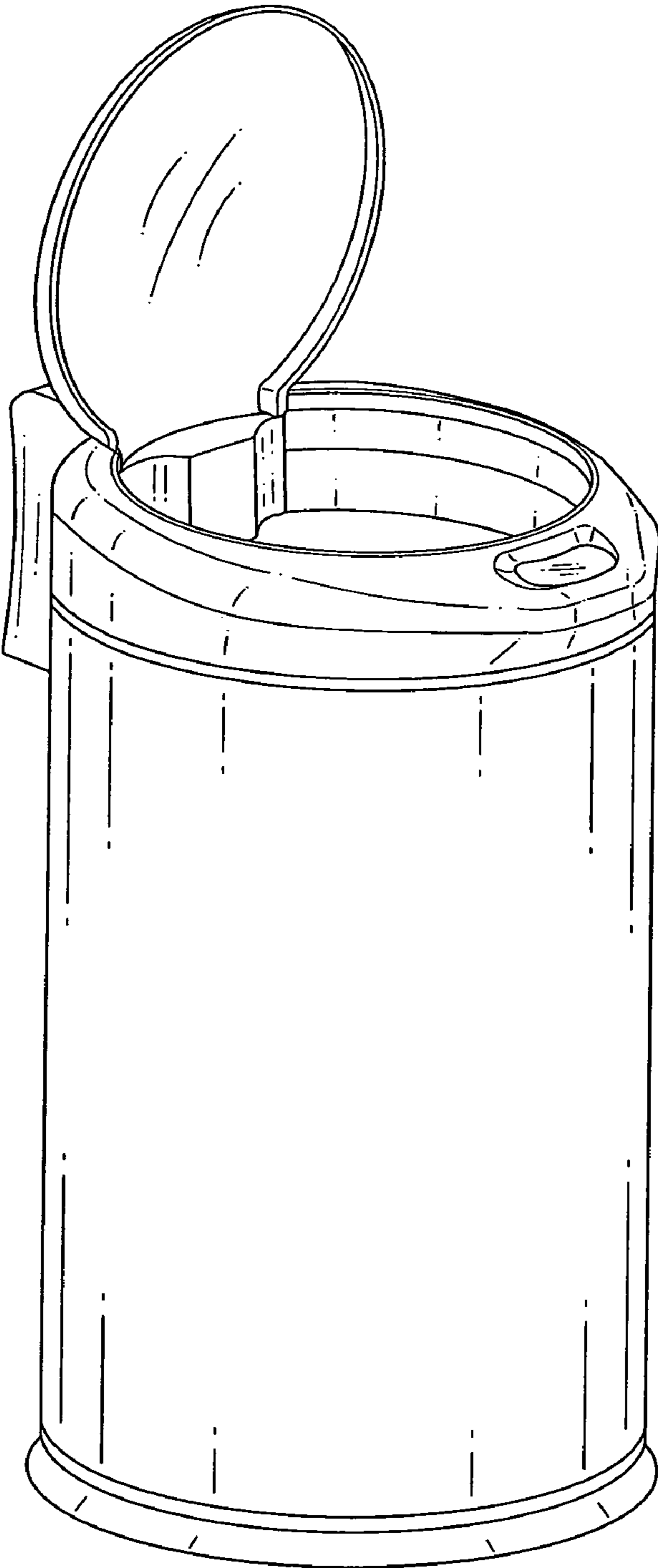


Fig.8