

US00D586060S

(12) **United States Design Patent**  
**Kahn**

(10) **Patent No.:** **US D586,060 S**  
(45) **Date of Patent:** **\*\* Feb. 3, 2009**

(54) **PAINT BRUSH HOLDER**

(76) Inventor: **Peter Kahn**, 381 S. Country Rd.,  
Brookhaven, NY (US) 11719

(\*\*) Term: **14 Years**

(21) Appl. No.: **29/318,306**

(22) Filed: **May 16, 2008**

(51) **LOC (9) Cl.** ..... **07-07**

(52) **U.S. Cl.** ..... **D32/54; D32/61; D8/395**

(58) **Field of Classification Search** ..... D32/54,  
D32/60, 61, 35; D11/78.1; D19/65, 78;  
211/65; 248/110, 113, 213.2, 206.5, 309.4,  
248/312.1; 220/90, 736, 696-697; D6/328,  
D6/315-319; D8/72, 394-396; 24/327,  
24/504, 3.12; 223/96

See application file for complete search history.

(56) **References Cited**

**U.S. PATENT DOCUMENTS**

|           |     |        |                |         |
|-----------|-----|--------|----------------|---------|
| 2,931,086 | A   | 4/1960 | Rose           |         |
| 3,085,777 | A   | 4/1963 | Lewtan et al.  |         |
| 3,227,411 | A * | 1/1966 | Treutler       | 248/210 |
| 3,597,813 | A   | 8/1971 | Takahashi      |         |
| 3,756,550 | A   | 9/1973 | Kollitz        |         |
| 4,101,046 | A   | 7/1978 | Puntillo       |         |
| 5,033,704 | A   | 7/1991 | Kerr           |         |
| 5,083,733 | A   | 1/1992 | Marino et al.  |         |
| 5,179,768 | A   | 1/1993 | Jio            |         |
| 5,181,297 | A * | 1/1993 | Andrews et al. | 24/336  |
| D381,484  | S * | 7/1997 | Clendenning    | D32/54  |
| 6,085,393 | A   | 7/2000 | Tsui et al.    |         |

|           |      |         |                |           |
|-----------|------|---------|----------------|-----------|
| D461,289  | S *  | 8/2002  | LoSacco et al. | D32/54    |
| D475,826  | S *  | 6/2003  | Mowe           | D32/54    |
| 6,871,825 | B2 * | 3/2005  | Song           | 248/113   |
| 6,929,225 | B1 * | 8/2005  | Kent           | 248/213.2 |
| 6,971,147 | B2   | 12/2005 | Halstead       |           |
| D521,366  | S *  | 5/2006  | Polak et al.   | D8/383    |
| D522,978  | S *  | 6/2006  | Ochi et al.    | D13/182   |
| D529,375  | S *  | 10/2006 | Cetera         | D8/395    |
| D561,573  | S *  | 2/2008  | Hyde et al.    | D8/395    |
| D564,347  | S *  | 3/2008  | Limber         | D8/395    |
| D575,469  | S *  | 8/2008  | Rekart         | D32/54    |

\* cited by examiner

*Primary Examiner*—Pamela J Burgess  
(74) *Attorney, Agent, or Firm*—Advantia Law Group;  
Michael W. Starkweather; Jason P. Webb

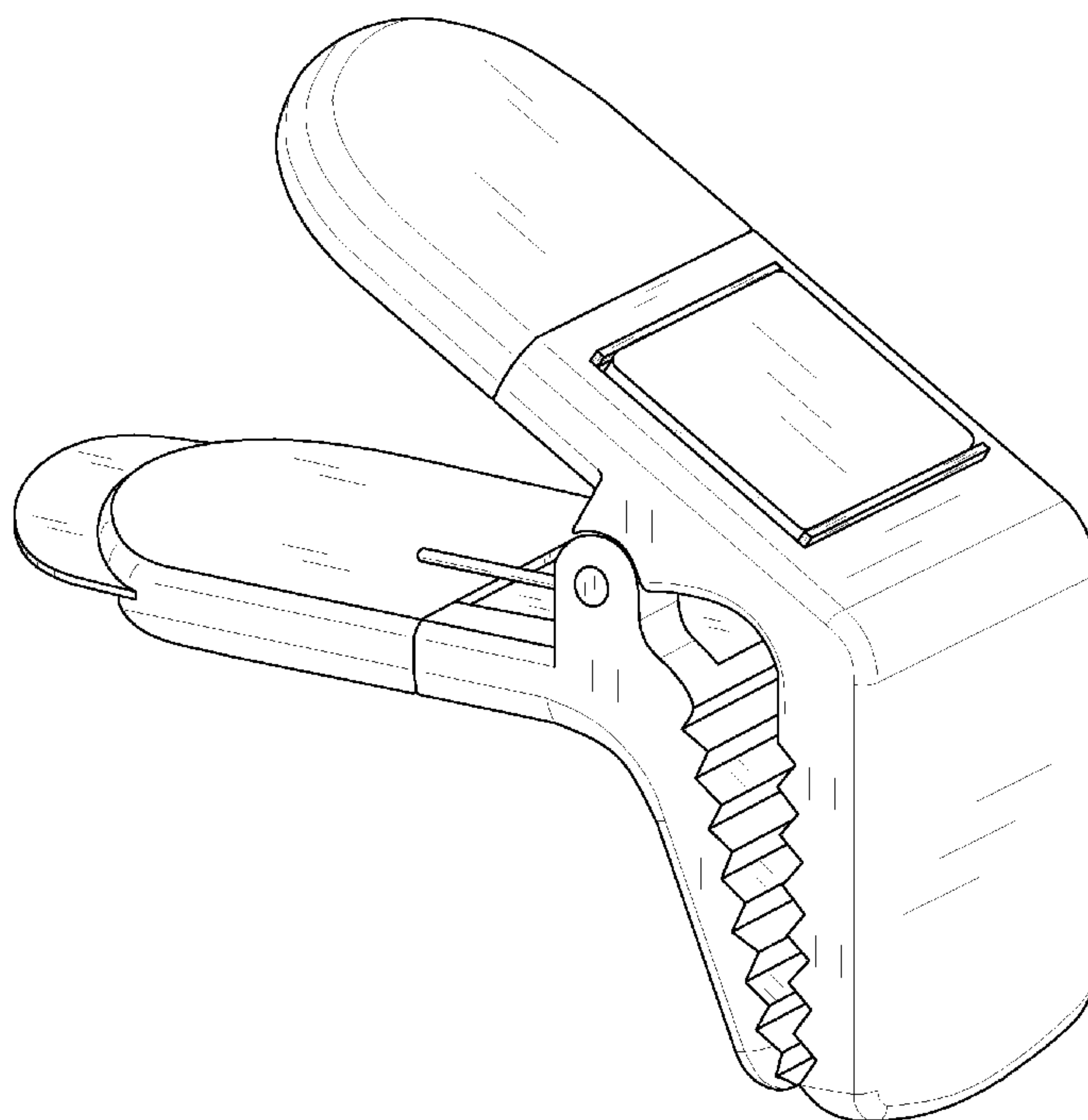
(57) **CLAIM**

The ornamental design for a paint brush holder, as shown and described.

**DESCRIPTION**

FIG. 1 is a front perspective view of a paint brush holder showing my new design;  
FIG. 2 is a right elevational view thereof;  
FIG. 3 is a left elevational view thereof;  
FIG. 4 is a bottom plan view thereof;  
FIG. 5 is a top plan view thereof;  
FIG. 6 is a back elevational view thereof; and,  
FIG. 7 is a front elevational view thereof.

**1 Claim, 4 Drawing Sheets**



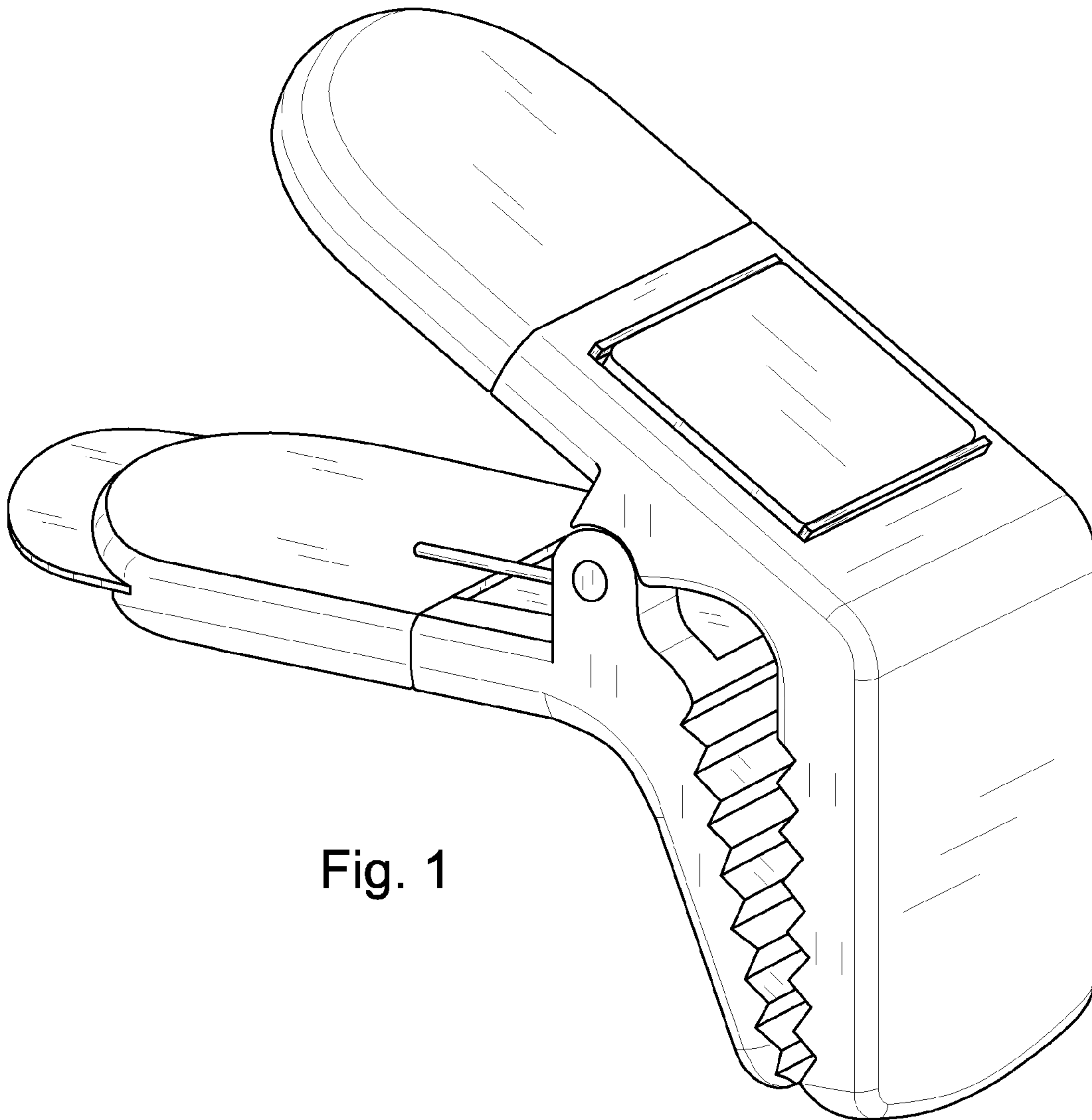


Fig. 1

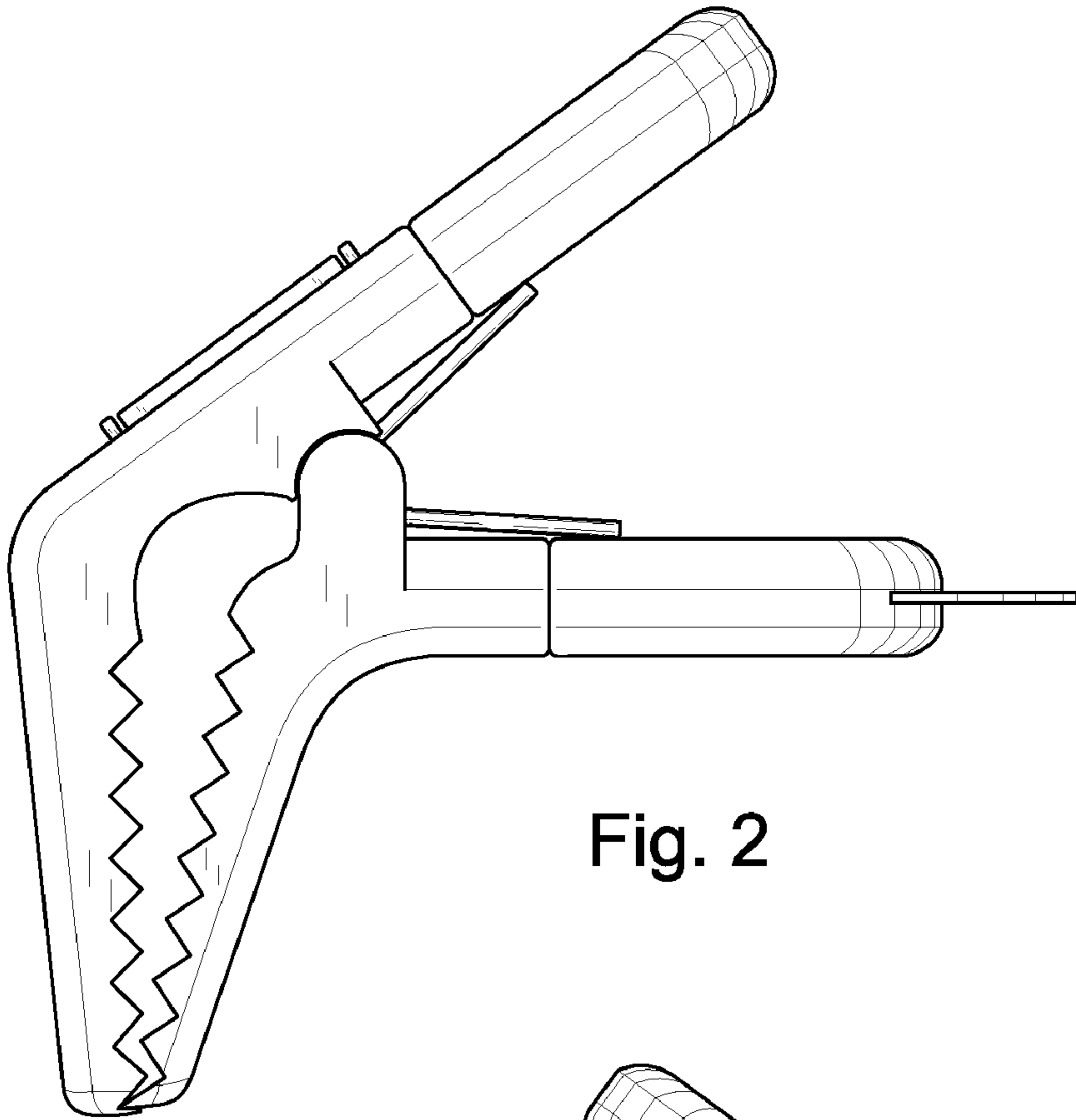


Fig. 2

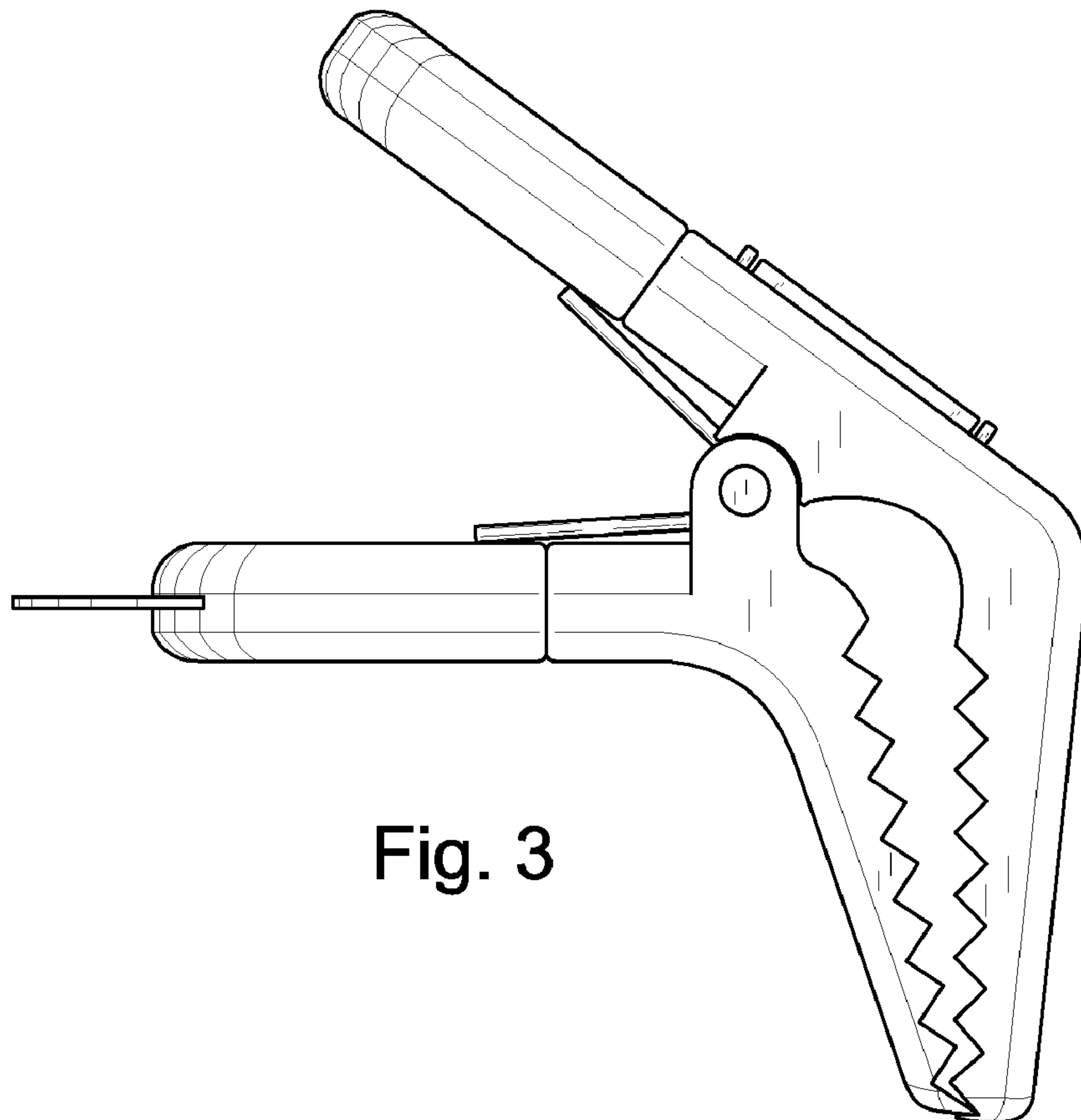


Fig. 3

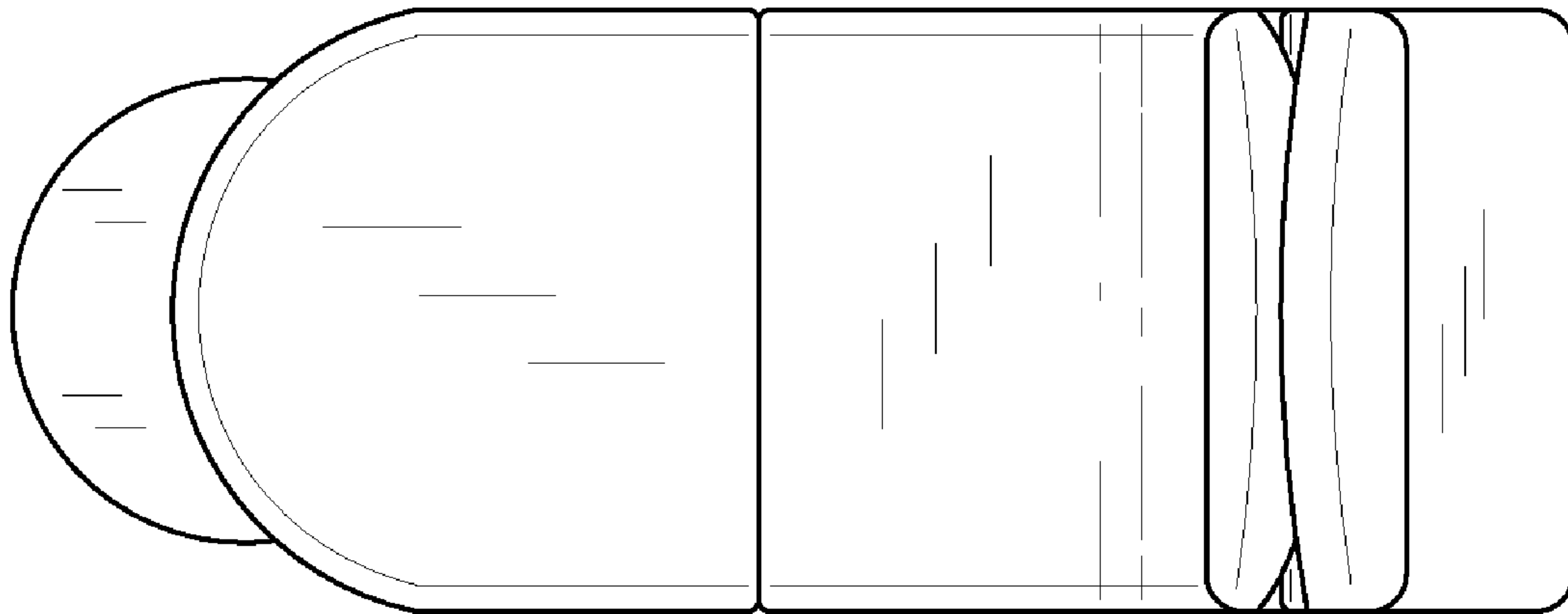


Fig. 4

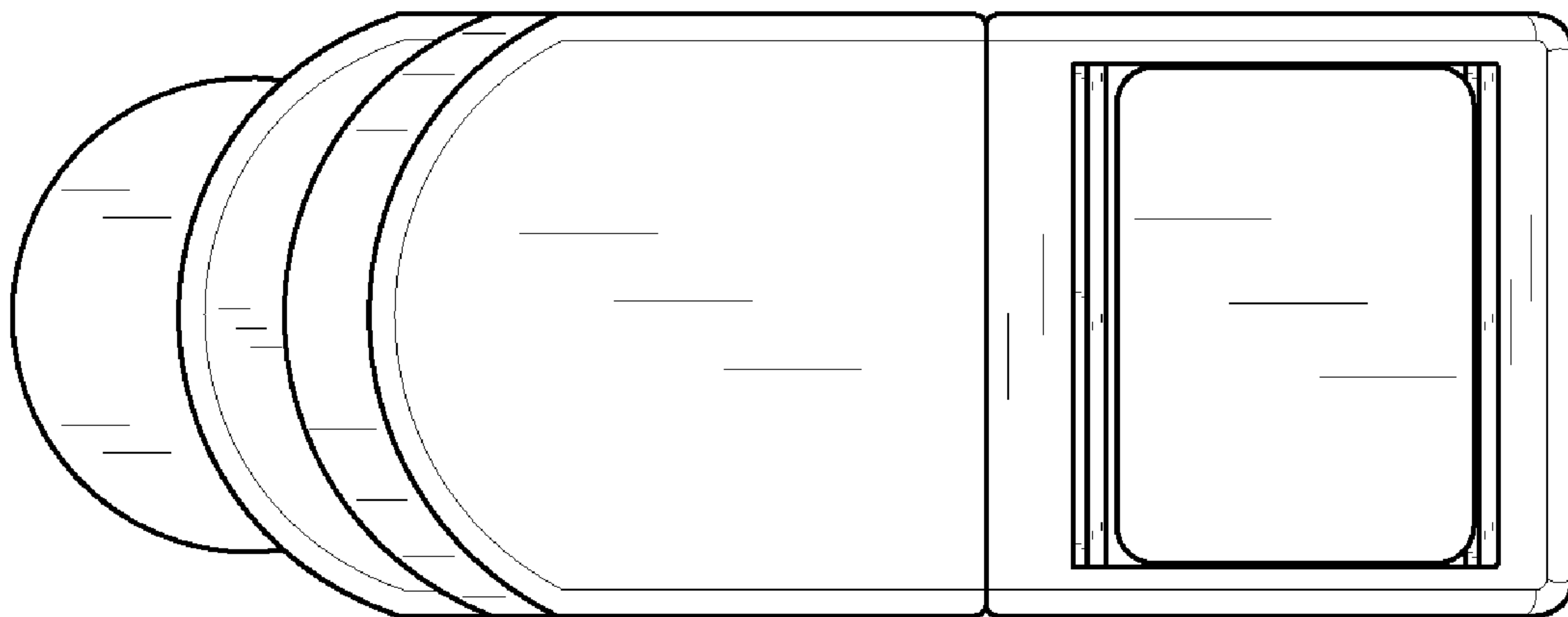


Fig. 5

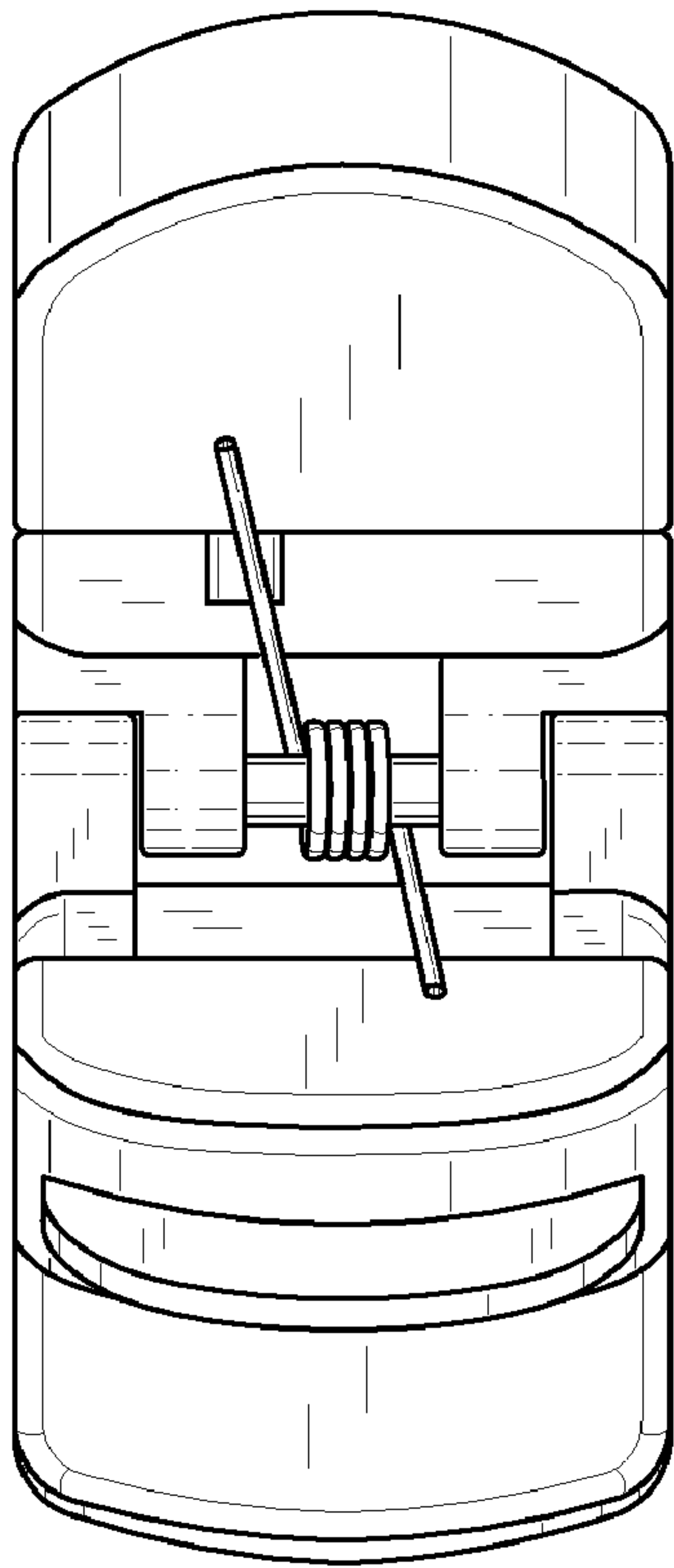


Fig. 6

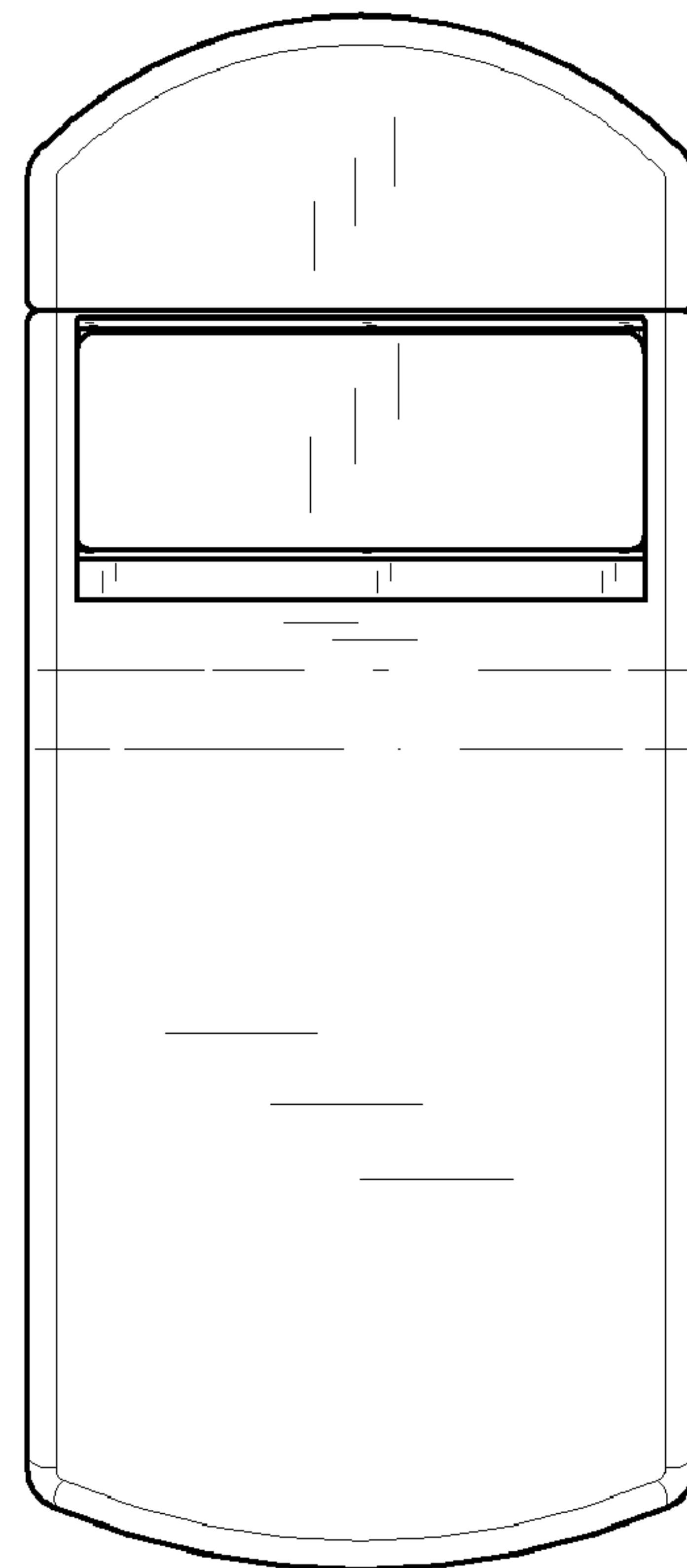


Fig. 7