



US00D586056S

(12) **United States Design Patent**
Shea

(10) **Patent No.:** **US D586,056 S**

(45) **Date of Patent:** **** Feb. 3, 2009**

(54) **PAINT TRAY**

(75) **Inventor:** **Donald Lee Shea**, 708 Georgia Ave.,
Statesville, NC (US) 28677

(73) **Assignee:** **Donald Lee Shea**, Statesville, NC (US)

(**) **Term:** **14 Years**

(21) **Appl. No.:** **29/273,513**

(22) **Filed:** **Mar. 7, 2007**

(51) **LOC (9) Cl.** **07-07**

(52) **U.S. Cl.** **D32/53.1**

(58) **Field of Classification Search** D32/53.1,
D32/53, 54; 222/570; 220/570, 757, 754,
220/697, 507, 695, 793, 571, 571.1; 15/257.05,
15/257.06; 206/216; D3/276, 304
See application file for complete search history.

(56) **References Cited**

U.S. PATENT DOCUMENTS

| | | | | | |
|-----------|-----|--------|----------------|-------|-----------|
| 3,514,012 | A * | 5/1970 | Martin | | 220/570 |
| D273,725 | S * | 5/1984 | Goetz | | D32/53.1 |
| 4,509,226 | A * | 4/1985 | Allison et al. | | 15/257.06 |
| D301,785 | S * | 6/1989 | Goetz | | D32/53.1 |
| D302,881 | S * | 8/1989 | Lussier et al. | | D32/53.1 |
| D332,512 | S * | 1/1993 | Bernard | | D32/53.1 |

| | | | | | |
|--------------|------|---------|--------------------|-------|-----------|
| D347,306 | S * | 5/1994 | Rogers et al. | | D32/53.1 |
| 5,316,137 | A * | 5/1994 | Kyllonen | | 206/209 |
| 5,493,751 | A * | 2/1996 | Misiukowicz et al. | | 15/257.06 |
| D397,833 | S * | 9/1998 | Adams Zurawin | | D32/53.1 |
| D482,830 | S * | 11/2003 | Kohn | | D32/53.1 |
| D485,955 | S * | 1/2004 | Johnson | | D32/54 |
| 2004/0206761 | A1 * | 10/2004 | Frantz | | 220/570 |

* cited by examiner

Primary Examiner—Freda S. Nunn

Assistant Examiner—Kevin K Rudzinski

(57) **CLAIM**

The ornamental design for a paint tray, as shown and described.

DESCRIPTION

FIG. 1 is a front elevation view of the paint tray of the present invention;

FIG. 2 is a top plan view thereof;

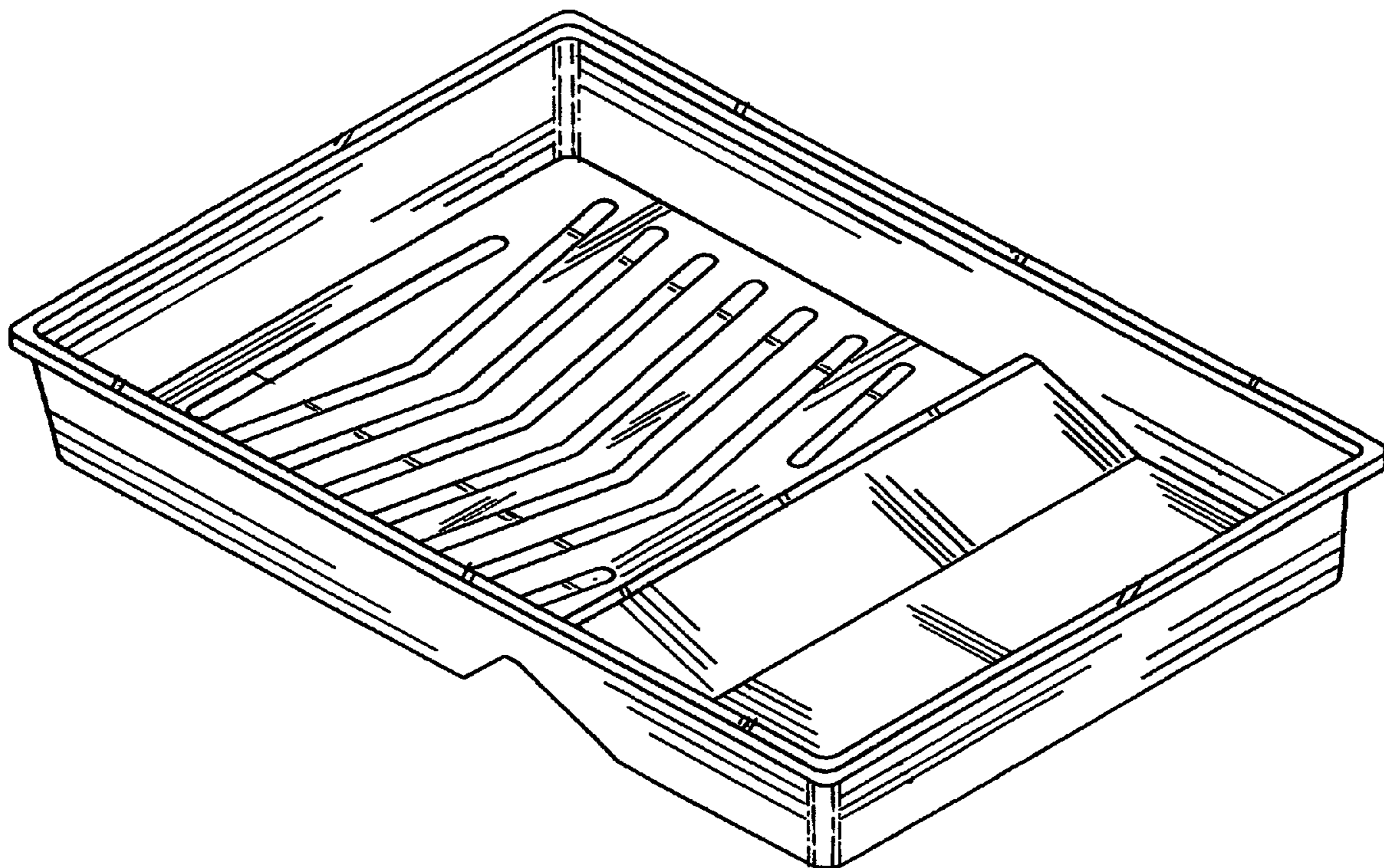
FIG. 3 is a left elevation view thereof;

FIG. 4 is a right elevation view thereof;

FIG. 5 is a perspective view thereof; and,

FIG. 6 is a sectional view thereof, shown along line 6—6 of FIG. 2.

1 Claim, 3 Drawing Sheets



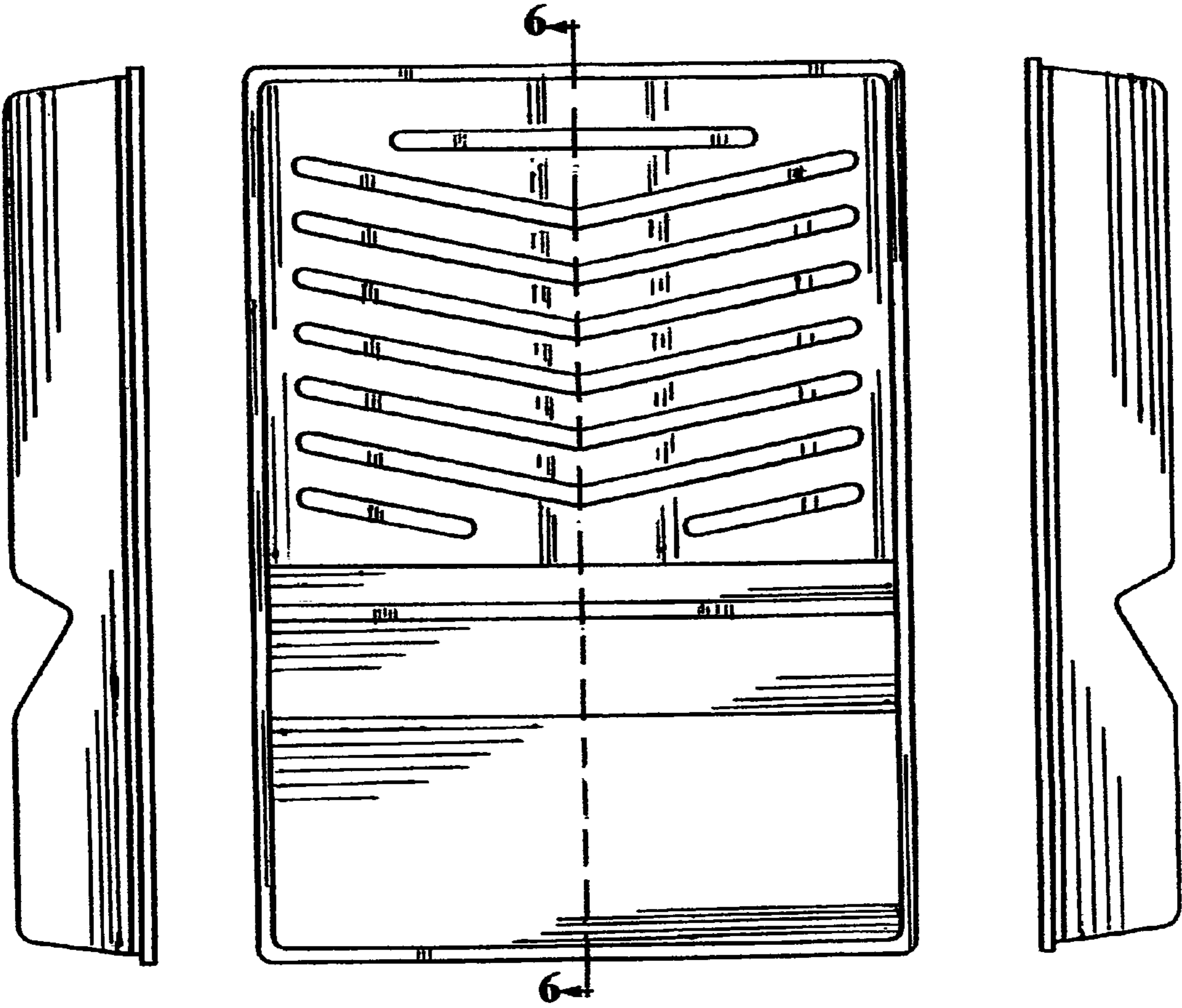


FIG. 3

FIG. 2

FIG. 4

FIG. 1

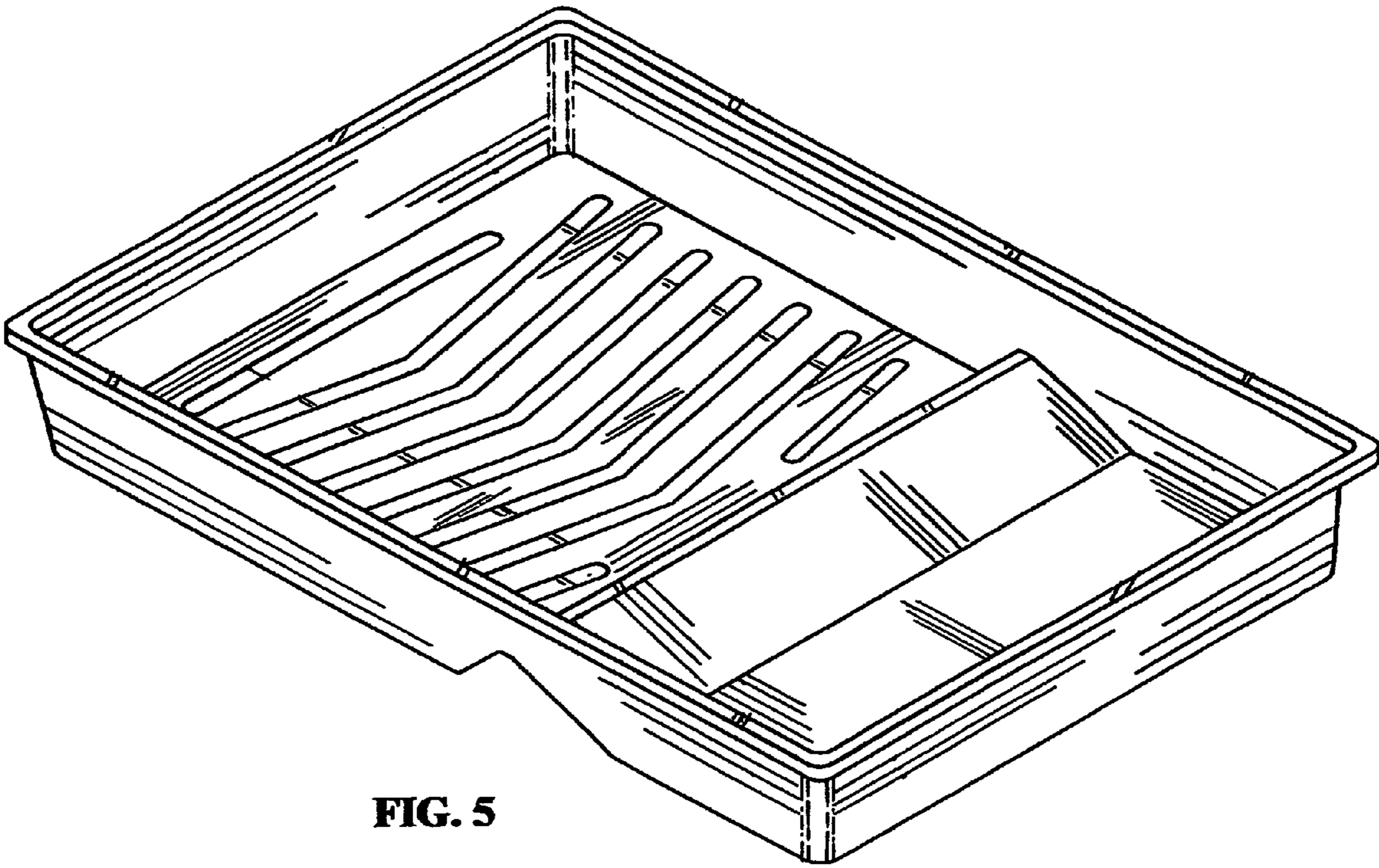


FIG. 5

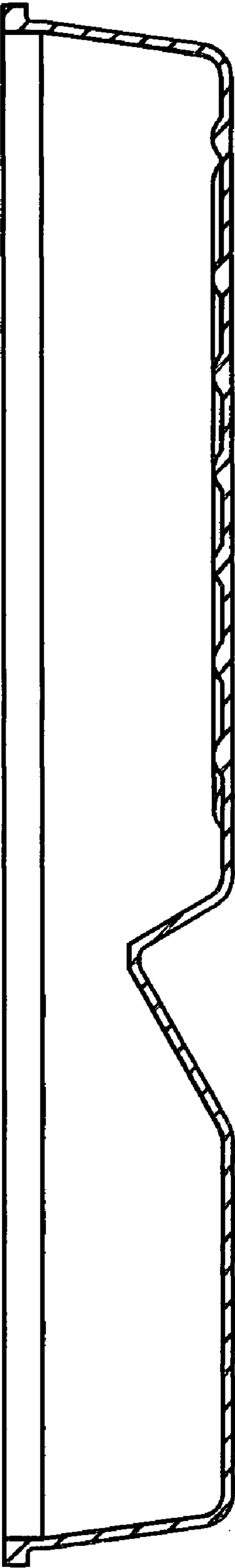


FIG. 6